



PARTS CATALOG

1500XS

SERIAL NUMBER

1500XS USA 4868648 THRU 5327662

TABLE OF CONTENTS:

.015 OVERSIZE PISTONS AND RINGS	30
BOTTOM COWL AND SHIFT LINKAGE	32
CARBURETOR ASSEMBLY	20
CARBURETOR LINKAGE AND CHOKE SOLENOID	18
CLAMP BRACKET AND REVERSE LOCK	38
COWLING AND FRONT COVER	4
CRANKSHAFT, PISTONS AND CONNECTING RODS	28
CYLINDER BLOCK AND CRANKCASE ASSEMBLY	24
DISTRIBUTOR ADAPTOR AND VERTICAL LINKAGE	12
DISTRIBUTOR HOUSING AND ROTOR	8
DRIVE SHAFT HOUSING ASSEMBLY	42
END CAP, MANIFOLD AND EXHAUST COVERS	26
EXHAUST EXTENSION PLATE	34
FLYWHEEL ASSEMBLY AND STATOR	6
FUEL PUMP AND FUEL LINE ASSEMBLY	22
GEAR HOUSING ASSEMBLY, COMPLETE (PAGE 1)	44
GEAR HOUSING ASSEMBLY, COMPLETE (PAGE 2)	48
HYDRAULIC PUMP AND CONTROL VALVE	52
HYDRAULIC PUMP ASSEMBLY	50
IGNITION COIL	10
PARTS INDEX	62
POWER TRIM CYLINDER REPAIR KITS	60
STARTER MOTOR, STARTER SOLENOID, RECTIFIER AND WIRING HARNES	16
SWIVEL BRACKET ASSEMBLY	36
TOP COWL AND SUPPORT BRACKETS	2
TRIM CYLINDERS AND HYDRAULIC HOSES	56

NOTE: Indented description indicate that these parts are included in preceeding assembly.

AR = As Required

NSS = Not Sold Separate

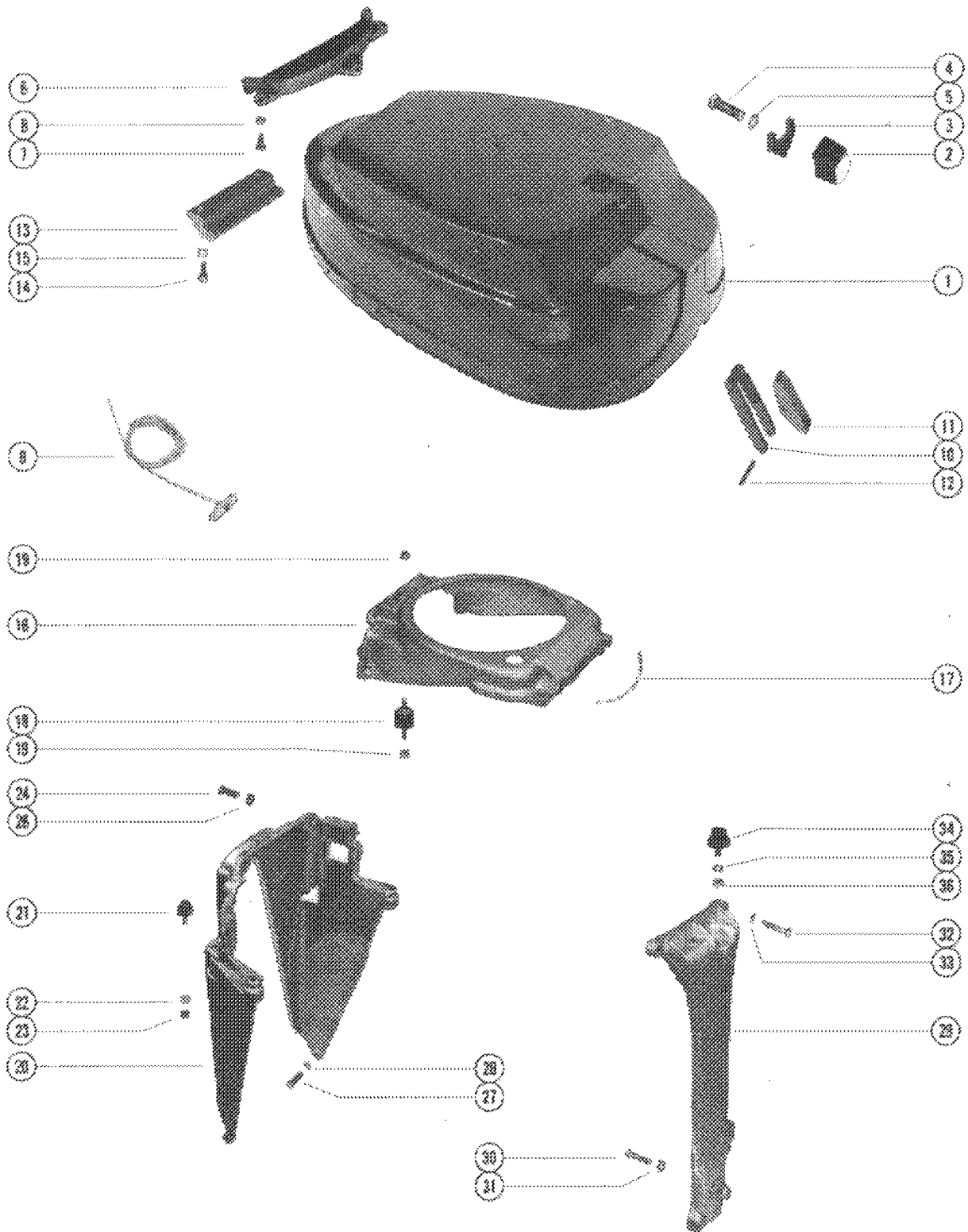
OPT = Optional

NS = Not Shown

THESE PARTS BOOKS/FICHE CARD ARE COPYRIGHTED AND MAY NOT BE DISTRIBUTED OR REPRODUCED IN ANY OTHER FORMAT BY ANYONE OTHER THAN MERCURY MARINE WITHOUT THE PRIOR WRITTEN CONSENT OF MERCURY MARINE.

THIS PAGE INTENTIONALLY LEFT BLANK

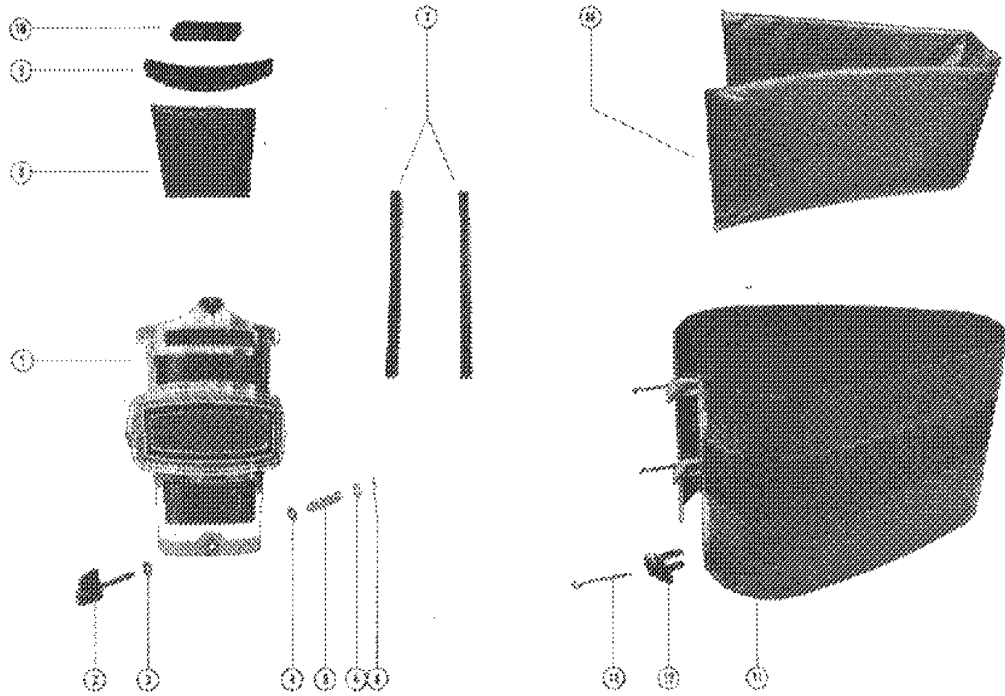
TOP COWL AND SUPPORT BRACKETS



TOP COWL AND SUPPORT BRACKETS

REF. NO.	PART NO.	SYM.	QTY.	DESCRIPTION
1	2114-5999		1	COWL, TOP (WITHOUT DECALS)
2	52733A9		1	RETAINER ASSEMBLY, TOP COWL
3	35496		1	PAD, BUMPER - TOP COWL RETAINER
4	10-37558		1	SCREW, RETAINER TO TOP COWL (1 1/4")
5	13-39107		1	LOCKWASHER, RETAINER TO TOP COWL SCREW
6	76370		1	SHIELD, TOP COWL - REAR
7	10-37370		3	SCREW, SHIELD TO TOP COWL (5/8")
8	13-37371		3	LOCKWASHER, SHIELD SCREW
9	47341A1		1	ROPE, STARTER (FOR MANUAL STARTING ONLY)
10	52739		1	HINGE, COWL LATCH - TOP COWL
11	52737		1	LEVER, COWL LATCHHINGE
12	17-58998		1	PIN, ROLL - COWL LATCH LEVER TO HINGE
13	55455		1	HOOK, TOP COWL LATCH - REAR
14	10-22956		2	SCREW, REAR HOOK TO TOP COWL (7/8")
15	13-26992		2	LOCKWASHER, REAR HOOK MOUNTING SCREW
16	75971A1		1	FRAME ASSEMBLY, TOP COWL SUPPORT - SERIAL GROUP #1
	86922A1		1	FRAME ASSEMBLY, TOP COWL SUPPORT - SERIAL GROUP #2
17	37-73291		1	DECAL, TIMING (FLYWHEEL) - SERIAL GROUP #1
18	37639		3	MOUNT, RUBBER - TOP COWL FRAME
	46096		OPT	MOUNT, RUBBER - TOP COWL FRAME (HEAVY DUTY)
19	11-35888		6	NUT, RUBBER MOUNT TO TOP COWL FRAME
20	64954		1	BRACKET, TOP COWL SUPPORT - REAR
21	31014		2	MOUNT, RUBBER - REAR SUPPORT BRACKET
22	13-26992		2	LOCKWASHER, RUBBER MOUNT TO REAR SUPPORT BRACKET
23	11-29598		2	NUT, RUBBER MOUNT TO REAR SUPPORT BRACKET
24	10-37562		4	SCREW, REAR BRACKET TO FRAME (1")
26	13-26993		4	LOCKWASHER, REAR BRACKET SCREW
27	10-37562		4	SCREW, REAR BRACKET TO BOTTOM COWL (1")
28	13-26993		4	LOCKWASHER, REAR SUPPORT BRACKET SCREW
29	77103A3		1	BRACKET ASSEMBLY, TOP COWL - FRONT
30	10-69092		2	SCREW, FRONT BRACKET TO BOTOM COWL (1 1/4")
31	13-26992		2	LOCKWASHER, FRONT SUPPORT BRACKET SCREW
32	10-55511		2	SCREW, FRONT BRACKET TO TOP COWL FRAME (1 1/2")
33	13-26993		2	LOCKWASHER, FRON TSUPPORT BRACKET SCREW
34	37640		1	MOUNT, RUBBER FRONT SUPPORT BRACKET
35	13-26993		1	LOCKWASHER, RUBBER MOUNT TO FRON TSUPPORT BRACKET
36	11-28770		1	NUT, RUBBER MOUNT TO FRONT SUPPORT BRACKET

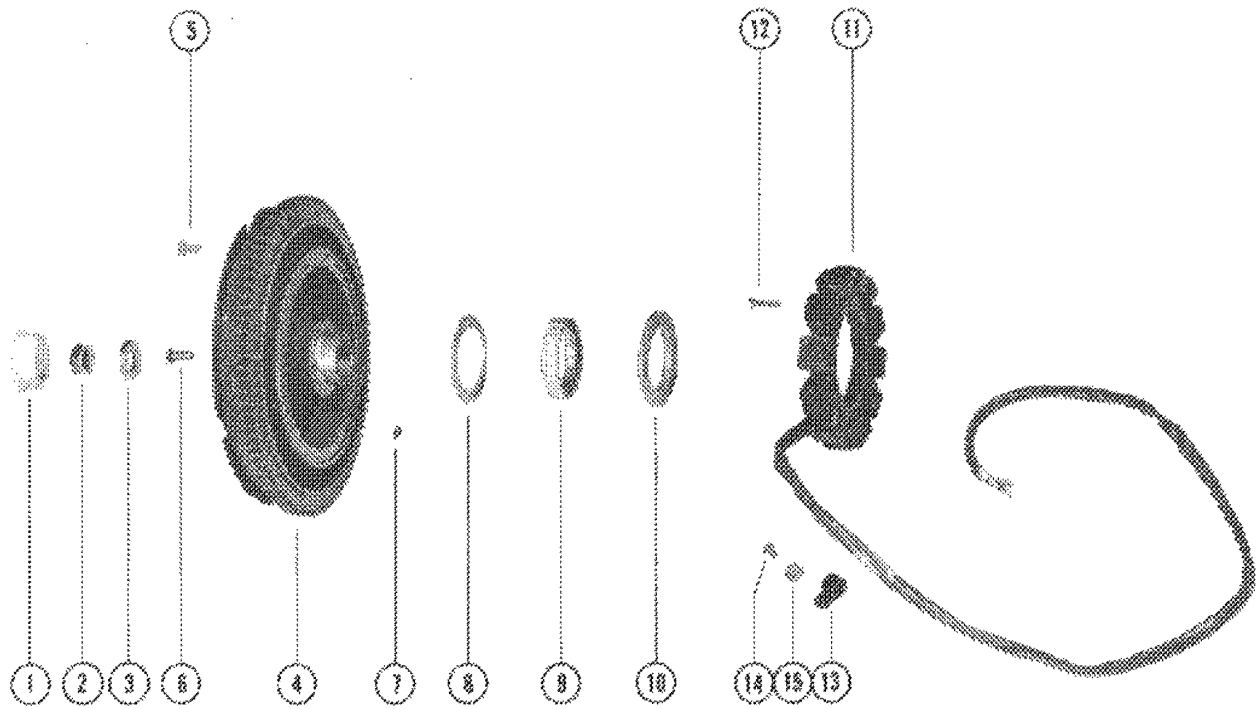
COWLING AND FRONT COVER



COWLING AND FRONT COVER

REF. NO.	PART NO.	SYM.	QTY.	DESCRIPTION
1	2113-5631A4		1	COWL FRONT COVER ASSEMBLY (WITHOUT DECALS)
2	56849		1	KNOB, COWL FRONT COVER FASTENING
3	12-30771		2	WASHER, COVER FASTENING KNOB (RUBBER)
4	12-59572		2	WASHER, COVER FASTENING KNOB (PLASTIC)
5	24-30772		1	SPRING, TENSION - FASTENING KNOB
6	17-29077		1	ROLL PIN, TENSION SPRING TO KNOB
7	31089		2	STRIP, SOUND ABSORBING
8	38674		1	BAG, STARTER ROPE
9	35769		1	SEAL, SOUND ABSORBING - UPPER
10	53334		1	SEAL, SOUND ABSORBING - TOP
11	2136-4660A17		1	WRAP AROUND COWL ASSEMBLY
-	54943		4	SCREEN, COWL (UPPER)
-	54942		4	SCREEN, COWL (LOWER)
-	17-54944		48	RIVET, SCREEN ATTACHING
12	46785A1		3	COWL LATCH ASSEMBLY
13	30413		3	HOOK, COWL LATCH FASTENING
14	92-25234--1		1	GLUE, ADHESIVE - BLANKET FASTENING
	92-27109--1		1	ADHESIVE COMPOUND, EMBLEM FASTENING

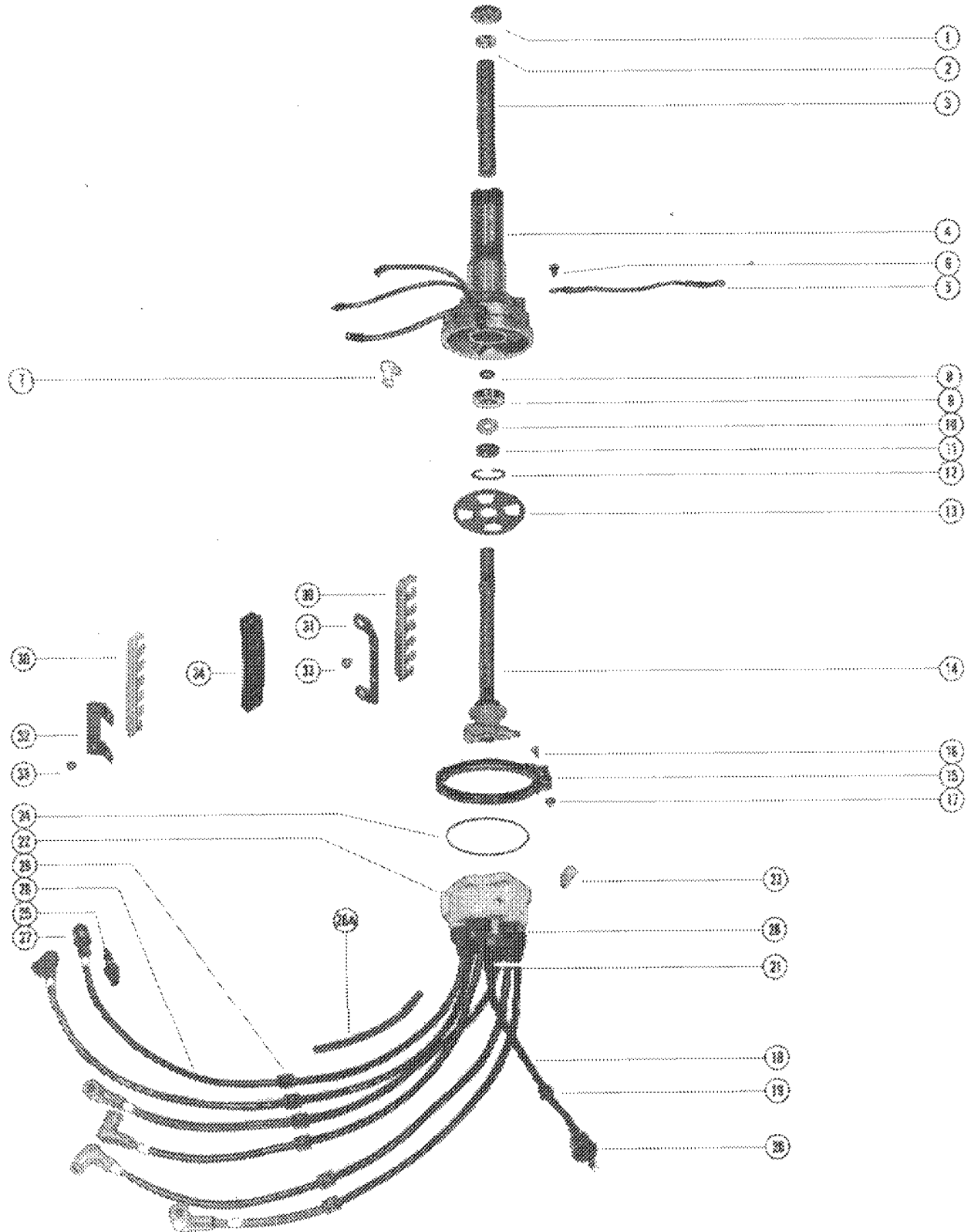
FLYWHEEL ASSEMBLY AND STATOR



FLYWHEEL ASSEMBLY AND STATOR

REF. NO.	PART NO.	SYM.	QTY.	DESCRIPTION
1	19-45907		1	PLUG, FLYWHEEL PULLER THREADS
2	11-52901		1	NUT, FLYWHEEL (PART OF A-436-6646A2 CRANKSHAFT ASSEMBLY)
3	12-68229		1	WASHER, FLYWHEEL NUT
4	225-2494A30		1	FLYWHEEL ASSEMBLY, COMPLETE - SERIAL GROUP #1
	225-2494A37		1	FLYWHEEL ASSEMBLY, COMPLETE - SERIAL GROUP #2
5	10-32417		8	SCREW, FLEXIBLE PLATE TO FLYWHEEL (5/8")
6	10-68997		8	SCREW, PLATE/HUB TO FLEX. PLATE (7/8")
7	17-26618		1	PIN, DOWEL - PULLEY TO FLYWHEEL
8	29788		1	FLANGE, FLYWHEEL PULLEY
9	30306		1	PULLEY, FLYWHEEL
10	29787		1	HUB, FLYWHEEL PULLEY
11	398-4793		1	STATOR, ALTERNATOR
12	10-75840		4	SCREW, STATOR TO UPPER END CAP (7/8")
13	54-24871		1	CLIP, STATOR LEAD FASTENING (5/8")
	54-22627		1	CLIP, STATOR/WIRING HARNESS LEADS FASTENING (1/2")
14	10-62568		3	SCREW, STATOR LEAD CLIP FASTENING (3/8")
15	69205		3	"D" WASHER, CLIP FASTENING SCREW

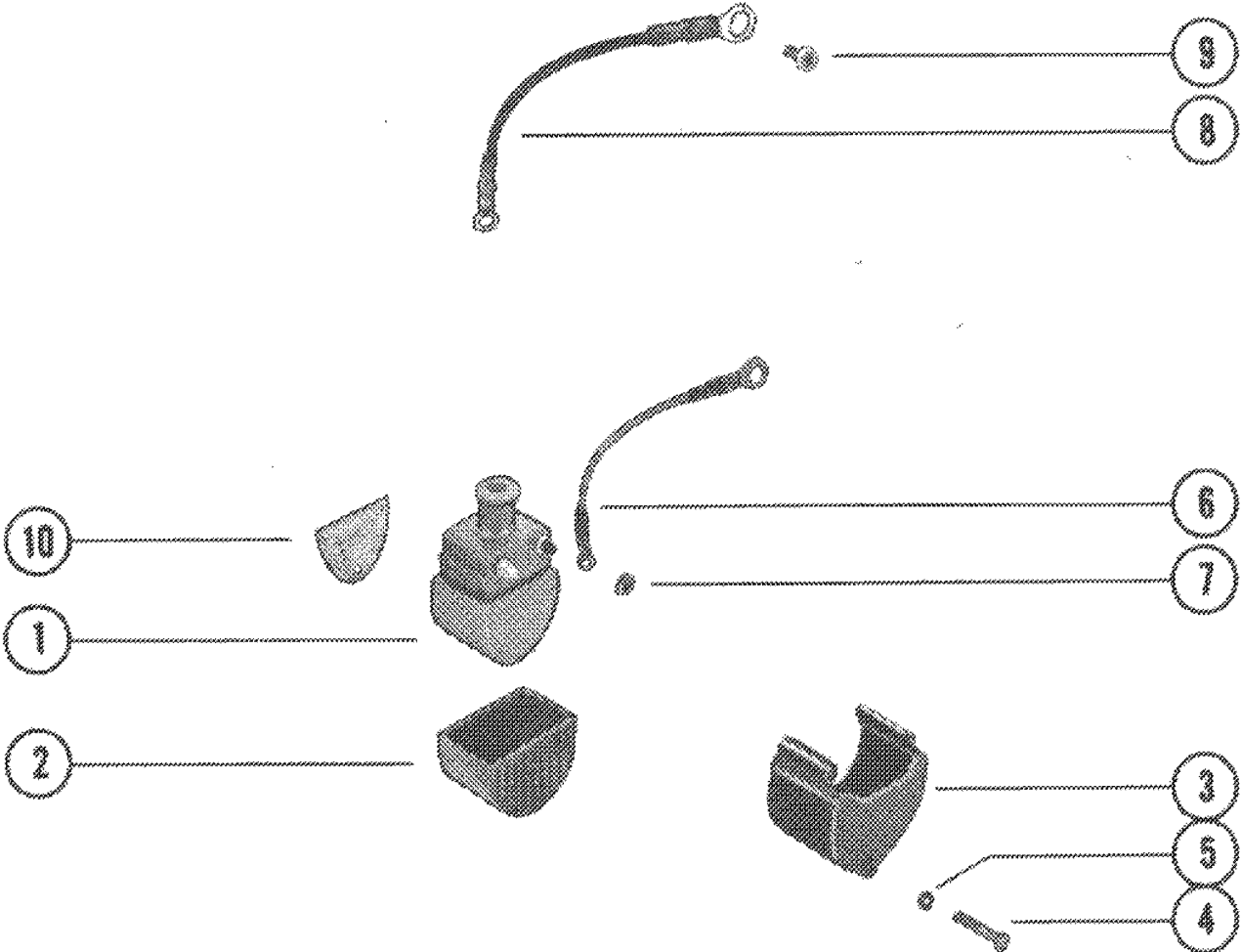
DISTRIBUTOR HOUSING AND ROTOR



DISTRIBUTOR HOUSING AND ROTOR

REF. NO.	PART NO.	SYM.	QTY.	DESCRIPTION
1	30-20066		1	BALL BEARING, DISTRIBUTOR HOUSING (UPPER)
2	11-54209		1	NUT, ROTOR SHAFT TO DISTRIBUTOR HOUSING
3	23-53539		1	SLEEVE, ROTOR SHAFT
4	393-3736A77		1	HOUSING ASSEMBLY, DISTRIBUTOR
5	53417		1	GROUND STRAP ASSEMBLY, DISTRIBUTOR TO CRANKCASE
6	10-62568		1	SCREW, GROUND STRAP ATTACHING (3/8")
7	58807A1		1	FLAME ARRESTOR, VENT - DISTRIBUTOR HOUSING
8	15-55853		1	SHIM, BALL BEARING TO DISTRIBUTOR HOUSING
9	30-26379		1	BALL BEARING, DISTRIBUTOR HOUSING (LOWER)
10	15-21148A1		AR	SHIM, BALL BEARING TO SPACER
11	23-53538		1	SPACER, ROTOR SHAFT
12	53-26406		1	RING, RETAINER - BALL BEARING TO DISTRIBUTOR HOUSING
13	393-4313		1	DISC, ROTOR
14	393-4312		1	ROTOR, DISTRIBUTOR
15	54-60768		1	CLAMP, DISTRIBUTOR CAP TO DISTRIBUTOR HSG. PART OF DISTRIBUTOR CAP ASSEMBLY
16	10-65774		1	SCREW, DISTRIBUTOR CAP CLAMP (1 1/8") PART OF DISTRIBUTOR CAP ASSEMBLY
17	11-26768		1	NUT, DISTRIBUTOR CAP CLAMP SCREW PART OF DISTRIBUTOR CAP ASSEMBLY
18	84-69207A1		1	CABLE ASSEMBLY, CAP TO COIL
19	25-26547		1	GROMMET, HIGH TENSION CABLE
20	332-2854		1	BOOT, HIGH TENSION CABLE TO COIL
21	60096		1	BOOT, HIGH TENSION CABLE
22	393-4841A2		1	DISTRIBUTOR CAP ASSEMBLY
	393-1293A1		1	BRUSH AND SPRING ASSEMBLY
23	58807A1		1	FLAME ARRESTOR, VENT - DISTRIBUTOR CAP
24	27-55896		1	GASKET, DISTRIBUTOR CAP
25	33-68057		6	SPARK PLUG (CHAMPION L-76V)
26	84-63212A2		6	SPARK PLUG LEAD ASSEMBLY #1, #2, #3, #4, #5, AND #6 ORDER A-36549A1 KIT FOR REPLACEMENT OF LEAD WIRE MARKERS.
	20121		6	CONNECTOR, SPARK PLUG LEAD
27	85-71006A1		6	PROTECTOR, SPARK PLUG LEAD
28	60096		6	BOOT, SPARK PLUG LEAD TO DISTRIBUTOR
28A	23-62238--1		6	SLEEVE, SPARK PLUG LEAD (7")
29	25-26547		12	GROMMET, SPARK PLUG LEADS
30	45409		2	WIRE RETAINER, HIGH TENSION LEADS
31	45392		1	BRACKET, FRONT - WIRE RETAINER
32	47398		1	BRACKET, REAR - WIRE RETAINER
33	10-62568		4	SCREW, FRONT AND REAR BRACKET ATTACHING
34	45391		2	SPACER, RUBBER - HIGH TENSION LEADS

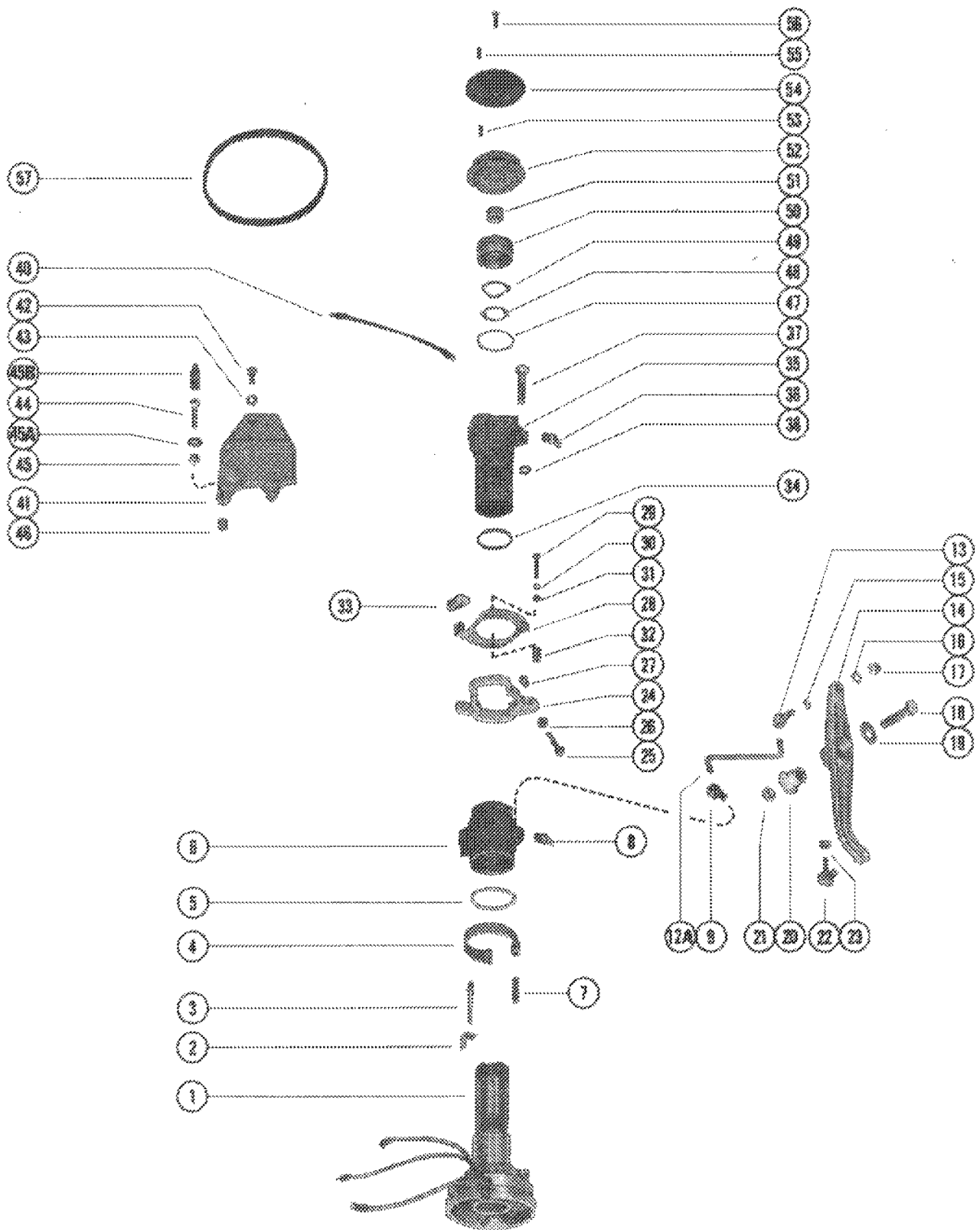
IGNITION COIL



IGNITION COIL

REF. NO.	PART NO.	SYM.	QTY.	DESCRIPTION
1	332-4895A2		1	IGNITION COIL ASSEMBLY
2	63194		1	PAD, RUBBER - IGNITION COIL
3	63195		1	COVER, IGNITION COIL
4	10-69046		3	SCREW, COIL TO CYLINDER BLOCK (2")
5	12-30164		3	WASHER, COIL SCREW
6	84-60466A1		1	CABLE ASSEMBLY
7	11-45076		2	NUT, IGNITION COIL TERMINAL (#10)
8	84-66054A2		1	CABLE ASSEMBLY, COIL TO SWITCH BOX
9	10-62568		1	SCREW, IGNITION COIL WIRE TO SWITCH BOX (3/8")
10	69190		1	PLATE, COIL MOUNTING

DISTRIBUTOR ADAPTOR AND VERTICAL LINKAGE

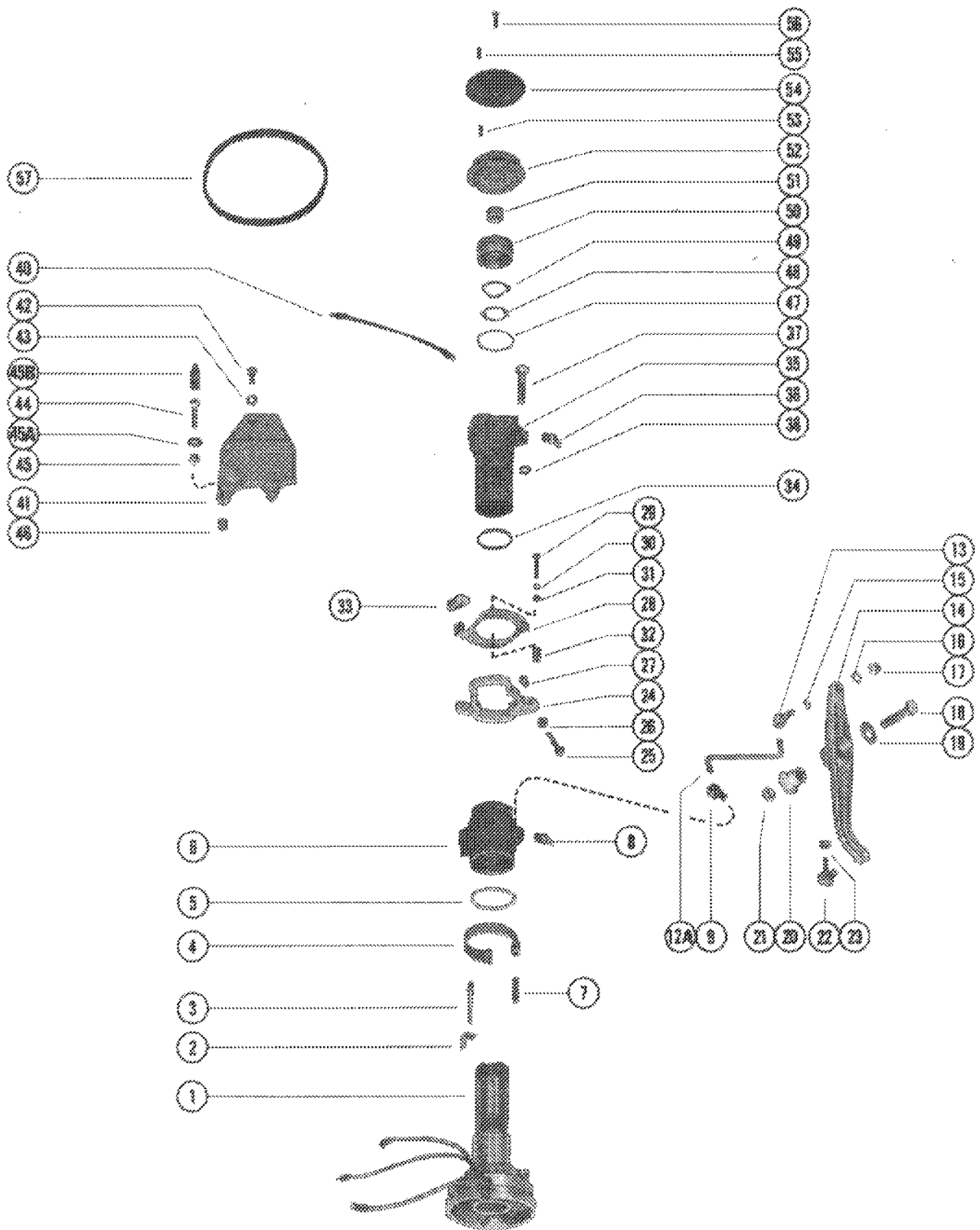


DISTRIBUTOR ADAPTOR AND VERTICAL LINKAGE

REF. NO.	PART NO.	SYM.	QTY.	DESCRIPTION
1	393-3736A77		1	HOUSING ASSEMBLY, DISTRIBUTOR
2	32197		1	STOP, SPARK ADVANCE - DISTRIBUTOR HOUSING
3	17-27962		1	PIN, ANCHOR SPRING - DISTRIBUTOR HOUSING
4	24-27944		1	SPRING, HORSESHOE - DISTRIBUTOR HOUSING
5	12-53540		1	WASHER, ECONOMIZER COLLAR - DISTRIBUTOR HOUSING
6	55804A1		1	ECONOMIZER COLLAR ASSEMBLY
7	17-27961		1	PIN, ECONOMIZER COLLAR - SPRING RETAINER
8	22-25094		1	FITTING, GREASE - ECONOMIZER COLLAR
9	27947		1	SWIVEL, LINKAGE - ECONOMIZER COLLAR
12A	67469		1	ROD, LINK - UPPER
13	27948		1	SWIVEL, UPPER LINK ROD TO THROTTLE CONTROL LEVER
14	78992		1	LEVER, THROTTLE CONTROL
15	13-39954		1	WASHER, WAVE - THROTTLE CONTROL LEVER SWIVEL
16	12-29245		1	WASHER, THROTTLE CONTROL LEVER SWIVEL
17	11-35888		1	NUT, UPPER LINK ROD THROTTLE CONTROL LEVER
18	10-37559		1	SCREW, THROTTLE LEVER TO EXHAUST COVER (1 3/4")
19	12-29395		1	WASHER, THROTTLE CONTROL LEVER SCREW
20	23-45818		1	BUSHING, THROTTLE CONTROL LEVER SCREW
21	11-20509		1	NUT, THROTTLE CONTROL LEVER SCREW
22	37587		1	SWIVEL, LOWER - THROTTLE CONTROL LEVER TO THROTTLE CABLE
23	11-35888		1	NUT, THROTTLE CABLE TO LOWER SWIVEL
24	48692		1	COLLAR, THROTTLE ACTUATOR
25	10-48675		1	SCREW, ADJUSTING - THROTTLE ACTUATOR COLLAR (1 1/2")
26	11-64015		1	NUT, THROTTLE ACTUATOR COLLAR ADJUSTING SCREW
27	52023		1	CAP, NYLON - THROTTLE ACTUATOR COLLAR ADJUSTING SCREW
28	48671		1	PLATE, THROTTLE ACTUATOR
29	10-37892		2	SCREW, THROTTLE ACTUATOR PLATE TO ECONOMIZER COLLAR (1")
30	12-30164		2	WASHER, THROTTLE ACTUATOR PLATE FASTENING SCREW
31	13-26996		2	LOCKWASHER, THROTTLE ACTUATOR PLATE FASTENING SCREW
32	23-48674		2	SPACER, THROTTLE ACTUATOR PLATE SCREW
33	58454		1	CAM, THROTTLE ACTUATOR PLATE
34	12-46246		1	WASHER, ADAPTOR - DISTRIBUTOR HOUSING
35	66165A2		1	ADAPTOR ASSEMBLY, DISTRIBUTOR
36	22-25094		1	FITTING, GREASE - DISTRIBUTOR ADAPTOR
37	10-29362		3	SCREW, DISTRIBUTOR HOUSING TO CRANKCASE (1 1/2")
38	12-20084		3	WASHER, DISTRIBUTOR HOUSING SCREW
40	84-66008A1		1	WIRE, GROUND - DISTRIBUTOR ADAPTOR TO FRONT SUPPORT BRACKET
41	55805		1	BRACKET, STOP
42	10-28636		2	SCREW, DISTRIBUTOR ADAPTOR TO STOP BRACKET (3/4")

CONTINUED ON NEXT PAGE ➡

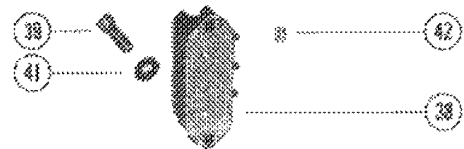
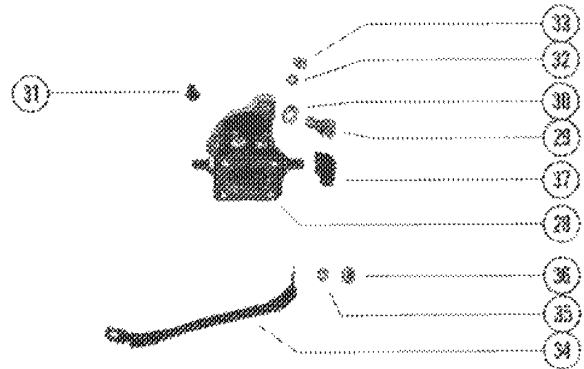
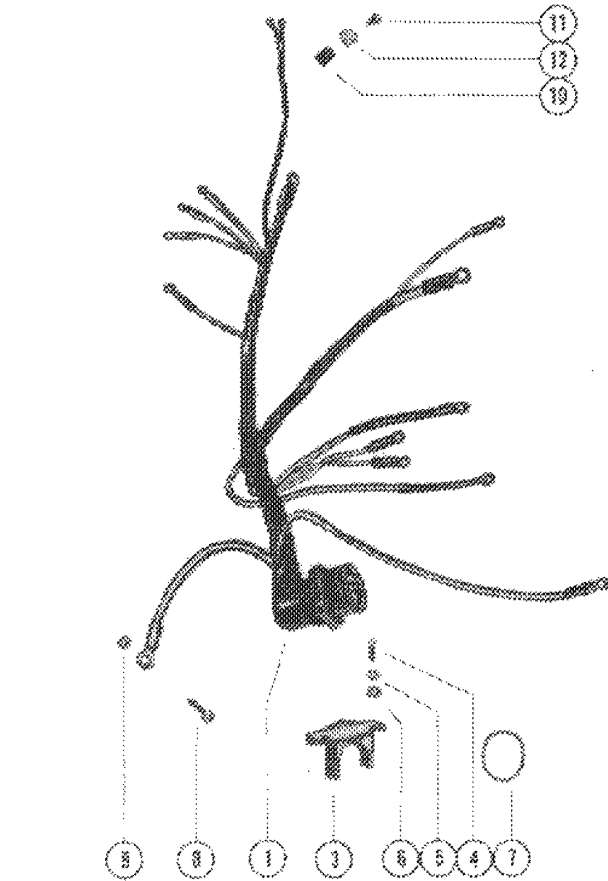
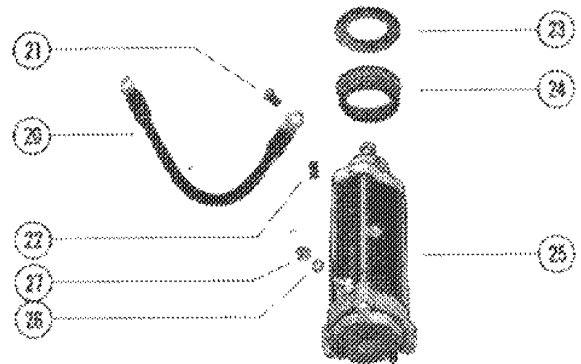
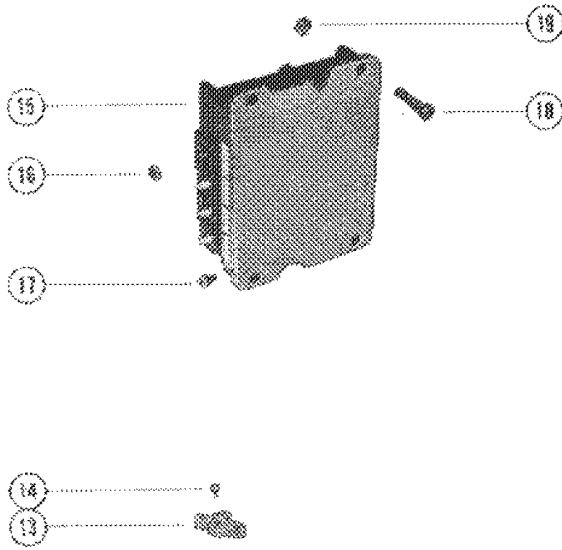
DISTRIBUTOR ADAPTOR AND VERTICAL LINKAGE



DISTRIBUTOR ADAPTOR AND VERTICAL LINKAGE

REF. NO.	PART NO.	SYM.	QTY.	DESCRIPTION
43	12-35462		2	WASHER, STOP BRACKET FASTENING SCREW
44	10-64022		3	SCREW, STOP BRACKET ADJUSTING (2 1/8")
45	11-64015		3	NUT, STOP BRACKET ADJUSTING SCREW
45A	12-24391		1	WASHER, STOP BRACKET ADJUSTING SCREW
45B	85-76199		1	INSULATOR, STOP BRACKET ADJUSTING SCREW
46	52023		3	CAP, NYLON - STOP BRACKET ADJUSTING SCREW
47	12-27939		1	WASHER, DISTRIBUTOR HOUSING
48	14-27960		1	TAB WASHER, ADAPTOR CAP FASTENING
49	13-27959		1	WASHER, WAVE - DISTRIBUTOR BALL BEARING TENSION
50	54567		1	CAP, DISTRIBUTOR HOUSING
51	23-47250		1	SPACER, DRIVE PULLEY
52	29906A1		1	DRIVEN PULLEY ASSEMBLY
53	17-29908		1	PIN, ROLL - FLANGE LOCATING
54	29907		1	FLANGE, DRIVEN PULLEY
55	28-29910		1	KEY, DISTRIBUTOR DRIVER
56	10-68554		1	SCREW, PULLEY CLAMPING
57	20140		1	BELT, TIMING

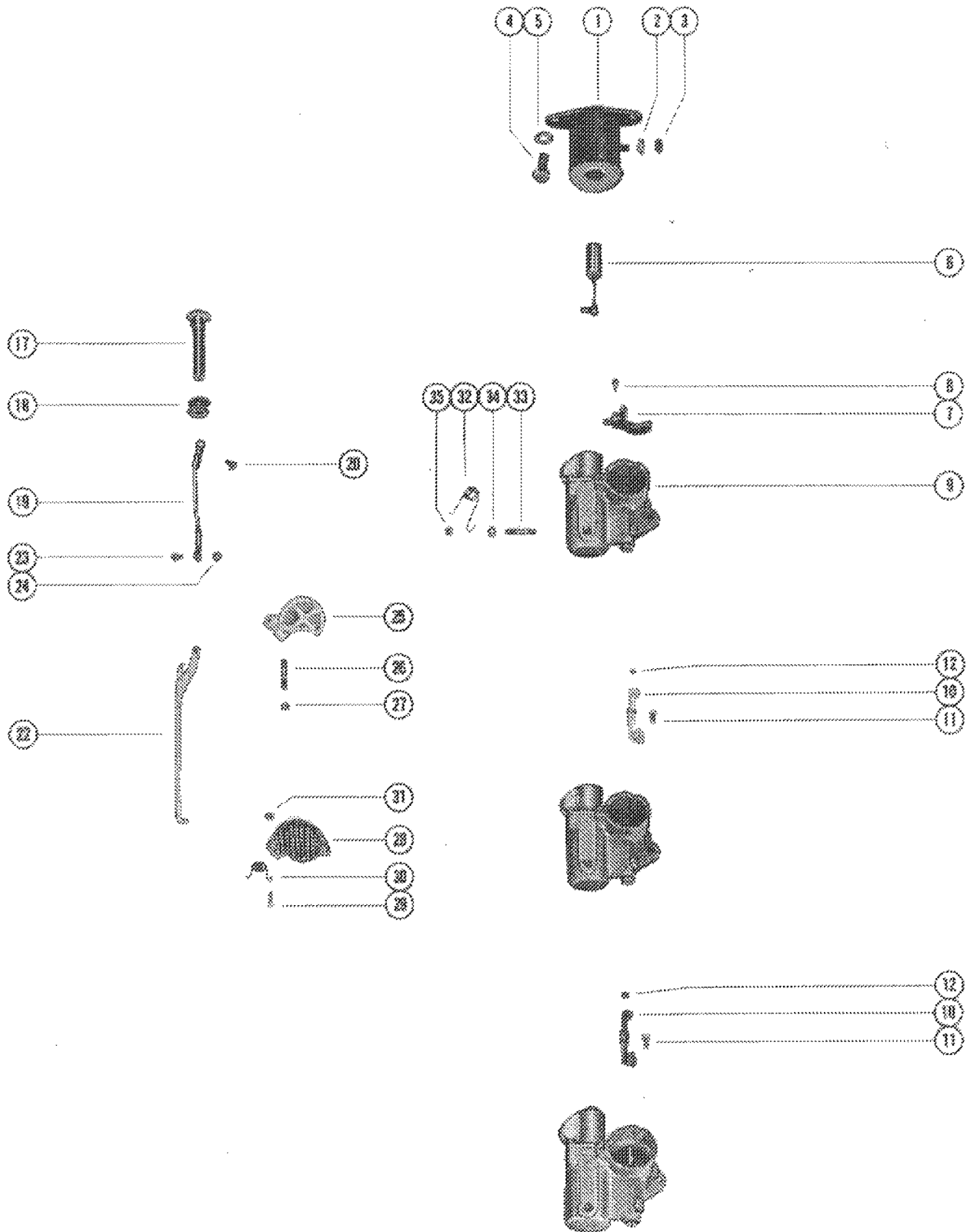
STARTER MOTOR, STARTER SOLENOID, RECTIFIER AND WIRING HARNESS



STARTER MOTOR, STARTER SOLENOID, RECTIFIER AND WIRING HARNES

REF. NO.	PART NO.	SYM.	QTY.	DESCRIPTION
1	84-69236		1	WIRING HARNESS, INTERNAL
3	54-76368		1	CLAMP, WIRING HARNESS TO BOTTOM COWL
4	10-69020		2	SCREW, WIRING HARNESS CLAMP TO BOTTOM COWL (7/8")
5	13-26996		2	LOCKWASHER, WIRING HARNESS CLAMP SCREW
6	12-30164		2	WASHER, WIRING HARNESS CLAMP SCREW
7	24-28975		1	SPRING, GARTER - INTERNAL WIRING HARNESS
8	10-69052		1	SCREW, GROUND WIRE TO BOTTOM COWL
9	13-26992		1	LOCKWASHER, GROUND WIRE SCREW
10	54-26538		1	CLIP, STATOR LEADS TO BLOCK (1/8")
11	10-62568		1	SCREW, WIRING HARNESS TO FRONT BRACKET (3/8")
12	69205		1	"D" WASHER, WIRING HARNESS CLIP SCREW
13	45559		1	TERMINAL BLOCK, STATOR LEADS
14	10-62568		4	SCREW, STATOR LEADS TO TERMINAL BLOCK (3/8")
15	332-2986A25		1	SWITCH BOX ASSEMBLY
16	11-45076		7	NUT, SWITCH BOX TERMINAL
17	10-29794		1	SCREW, SWITCH BOX (3/8")
18	10-64279		4	SCREW, SWITCH BOX TO FRONT MOUNTING BRACKET (3/4")
19	11-46887		4	NUT, SWITCH BOX SCREW
20	54651		1	CABLE, WIRE - STARTER MOTOR TO FRONT SUPPORT BRACKET
21	10-69035		1	SCREW, WIRE CABLE TO STARTER MOTOR
22	57247		2	STOP, RUBBER - STARTER MOTOR
23	23-56774		AR	SPACER, COLLAR TO TOP MOUNTING CAP
24	56703		2	COLLAR, RUBBER - STARTER MOTOR MOUNT
25	50-72467		1	STARTER MOTOR ASSEMBLY
26	13-26992		1	LOCKWASHER, STARTER MOTOR TERMINAL
27	11-64015		1	NUT, STARTER MOTOR TERMINAL
28	89-68258		1	SOLENOID, STARTER
29	10-38601		2	SCREW, SOLENOID TO BOTTOM COWL (5/8")
30	13-26992		2	LOCKWASHER, STARTER SOLENOID FASTENING SCREW
31	26901		1	BUMPER, RUBBER - STARTER SOLENOID
32	13-26996		2	LOCKWASHER, SOLENOID TERMINAL (#10)
33	11-68219		2	NUT, SOLENOID TERMINAL (#10)
34	84-69237		1	CABLE, WIRE - STARTER MOTOR TO SOLENOID
35	13-26993		2	LOCKWASHER, SOLENOID TERMINAL (5/16")
36	11-68292		2	NUT, SOLENOID TERMINAL (5/16")
37	46265		1	BOOT, SOLENOID TERMINAL
38	62351A1		1	RECTIFIER ASSEMBLY
39	10-37656		2	SCREW, RECTIFIER TO FRONT BRACKET (5/8")
42	11-45076		3	NUT, STATOR LEADS TO RECTIFIER

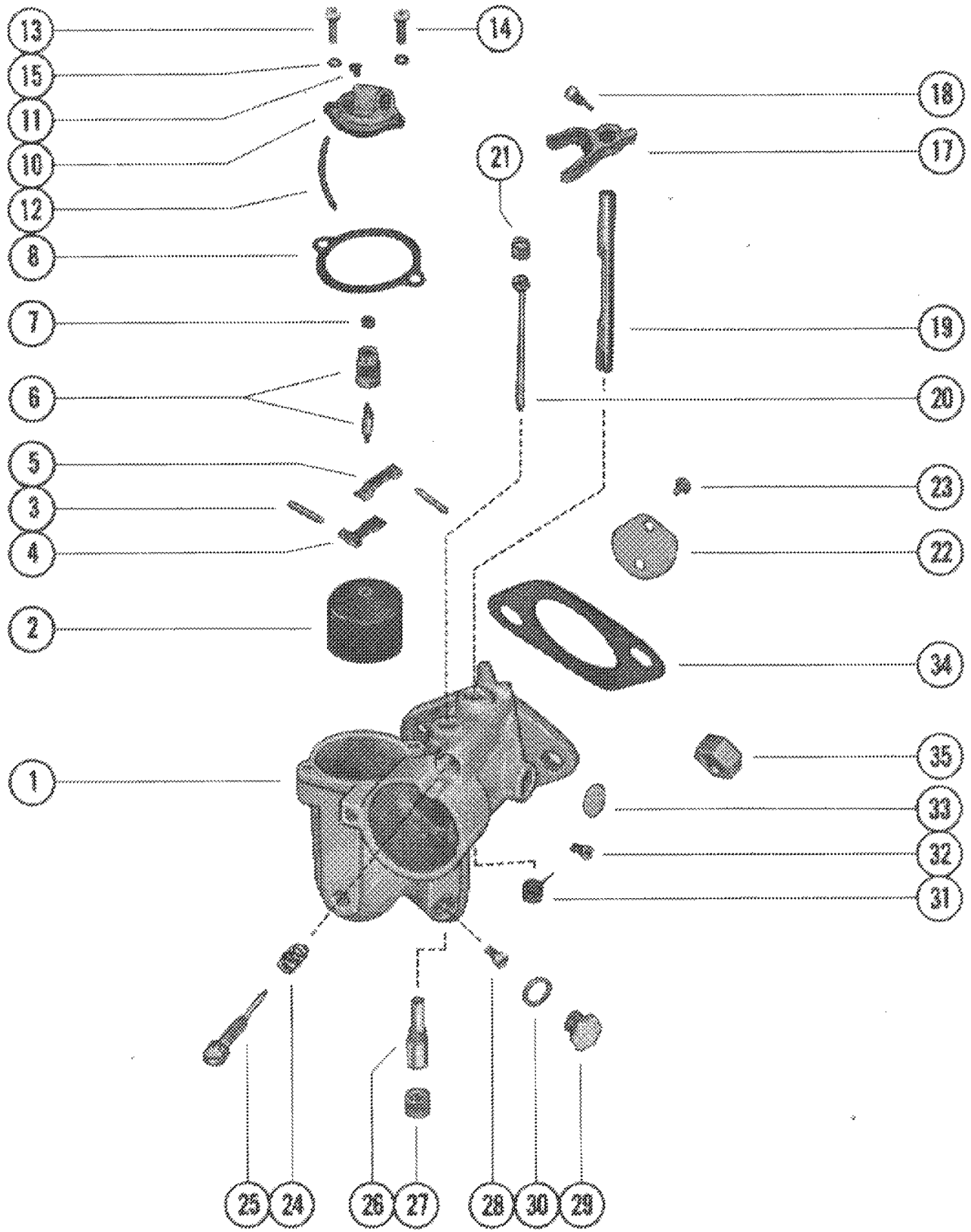
CARBURETOR LINKAGE AND CHOKE SOLENOID



CARBURETOR LINKAGE AND CHOKE SOLENOID

REF. NO.	PART NO.	SYM.	QTY.	DESCRIPTION
1	54293A4		1	CHOKE SOLENOID
2	13-26996		1	LOCKWASHER, SOLENOID TERMINAL
3	11-68219		1	NUT, SOLENOID TERMINAL
4	10-25299		2	SCREW, CHOKE SOLENOID (3/4")
5	13-26993		2	LOCKWASHER, CHOKE SOLENOID SCREW
6	54283A1		1	PLUNGER AND LINK ASSEMBLY, CHOKE SOLENOID
7	52518		1	CLUSTER, THROTTLE LEVER (UPPER CARBURETOR)
8	10-20847		1	SCREW, CLUSTER TO THROTTLE LEVER
9	1368-5259A16		3	CARBURETOR ASSEMBLY, COMPLETE
10	53720A2		2	THROTTLE PICK-UP BRACKET ASSEMBLY
11	10-66104		2	SCREW, THROTTLE BRACKET MOUNTING
12	53665		2	INSERT, THROTTLE COUPLING
17	73755A1		1	KNOB, CHOKE ROD
18	25-20116		1	GROMMET, CHOKE ROD
19	49589		1	STRAP, CHOKE KNOB TO CHOKE ROD
20	10-76196		1	SCREW, STRAP TO CHOKE KNOB (5/8")
22	48203		1	ROD, CHOKE
23	10-48591		1	SCREW, STRAP TO CHOKE ROD (1/2")
24	11-46438		1	NUT, STRAP TO CHOKE ROD SCREW
25	48152		2	SHUTTER, CHOKE - CARBURETOR
26	16-69037		2	STUD, CARBURETOR - CHOKE SHUTTER PIVOT
27	11-20110		2	NUT, CHOKE SHUTTER TO CARBURETOR STUD
28	35-57819		3	SCREEN ASSEMBLY, FILTER - CARBURETOR
29	10-22523		1	SCREW, LOWER CARBURETOR FILTER SCREEN TO CARB. (5/8")
	10-23015		2	SCREW, UPPER CARBURETOR FILTER SCREEN TO CARB. (1")
30	24-57818		2	SPRING, UPPER FILTER SCREEN SCREW
31	11-20110		3	NUT, CARBURETOR FILTER SCREEN FASTENING SCREW
32	24-48230		1	SPRING, CHOKE ROD TENSION
33	16-39937		1	STUD, CHOKE ROD SPRING TO CARBURETOR
34	23-32427		1	SPACER, CHOKE ROD SPRING STUD
35	11-46887		1	NUT, CHOKE ROD SPRING TO CARBURETOR STUD

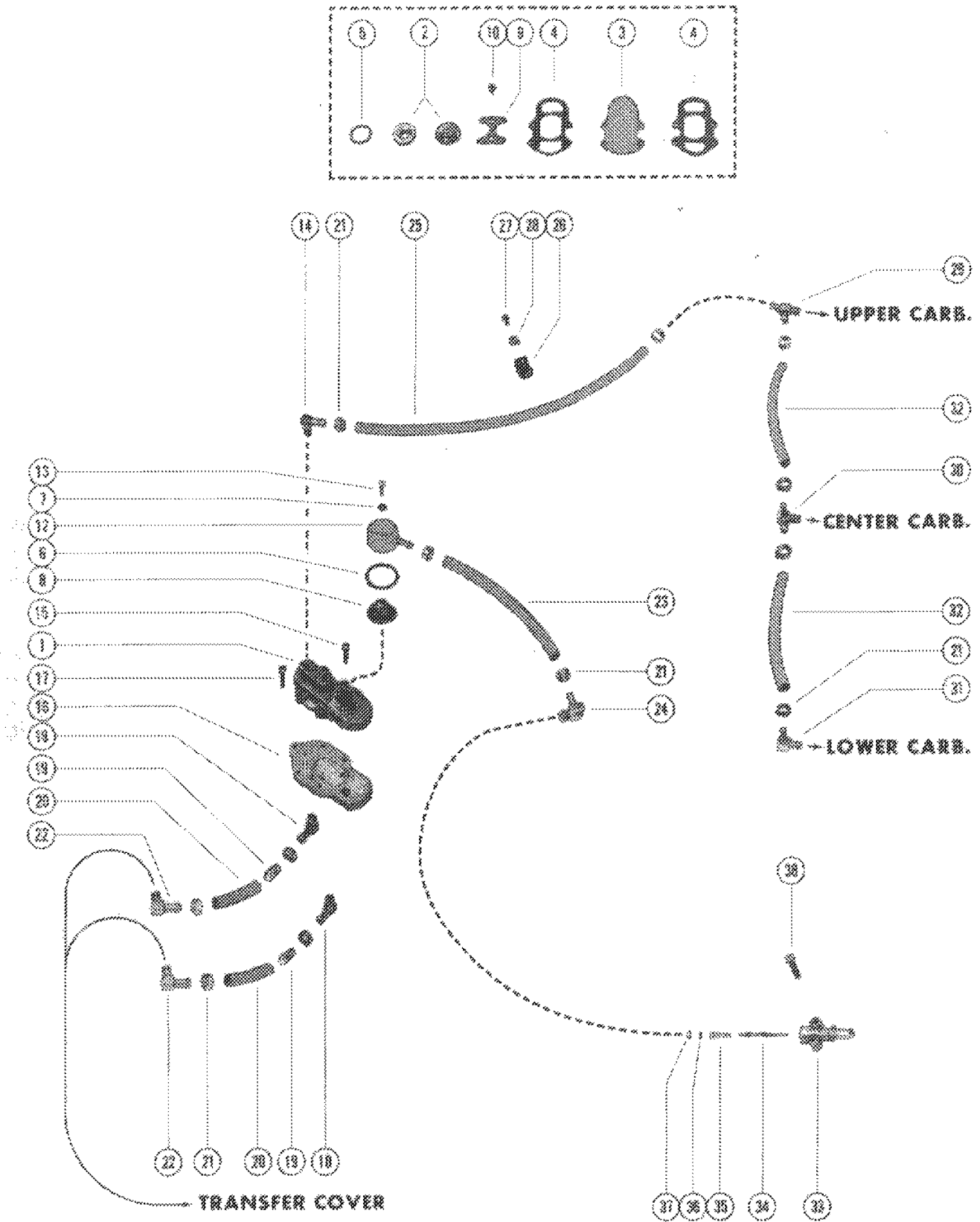
CARBURETOR ASSEMBLY



CARBURETOR ASSEMBLY

REF. NO.	PART NO.	SYM.	QTY.	DESCRIPTION
1	1368-5259A16		3	CARBURETOR ASSEMBLY
2	5353-		3	FLOAT ASSEMBLY
3			6	PIN, FLOAT LEVER PINION
4			3	LEVER, FLOAT (LOWER)
5			3	LEVER, FLOAT (UPPER)
6	1395-4868		3	INLET NEEDLE, SEAT AND GASKET
7			3	GASKET, INLET SEAT
8			3	GASKET, FLOAT BOWL COVER
10	1395-5261		3	COVER, FLOAT BOWL
13	10-52195		3	SCREW, FLOAT BOWL COVER
14	1395-4804		3	SCREW, FLOAT BOWL COVER
15	13-26995		6	LOCKWASHER, FLOAT BOWL COVER SCREW
17	1399-97		3	LEVER, THROTTLE (SEE NOTE BELOW)
18	10-20847		3	SCREW, THROTTLE STOP LEVER
19	1399-3527		3	SHAFT, THROTTLE
20			3	TUBE, IDLE
21	1395-4540		3	SCREW, BODY (IDLE TUBE)
22	1395-5666		3	SHUTTER, THROTTLE
23			6	SCREW AND LOCKWASHER, THROTTLE SHUTTER
24			3	SPRING, IDLE ADJUSTMENT SCREW
25			3	SCREW, IDLE ADJSUTMENT
26			3	NOZZLE, MAIN
27	1395-4542		3	SCREW, PLUG - MAIN NOZZLE
28	1399-3518		OPT.	JET, MAIN FUEL (.082)
	1399-3520		OPT.	JET, MAIN FUEL (.0785)
	1399-3796		OPT.	JET, MAIN FUEL (.076)
29	1395-4541		3	SCREW, PLUG - MAIN FUEL JET CHANNEL
30			3	GASKET, JET CHANNEL PLUG SCREW
31			3	SPRING, THROTTLE SHAFT RETURN
32	1395-4543		3	SCREW, BODY CHANNEL
33			3	WELCH PLUG, BODY CHANNEL
	1395-4808		3	GASKET AND PACKING SET (1 PER CARBURETOR)
	1395-5672		3	REPAIR PARTS KIT (1 PER CARBURETOR)
34	27-48164		3	GASKET, CARBURETOR FLANGE
35	11-64809		6	NUT, CARBURETOR MOUNTING STUD

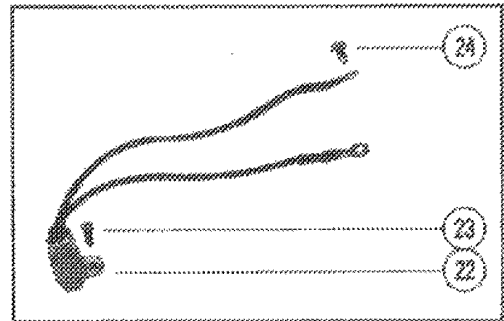
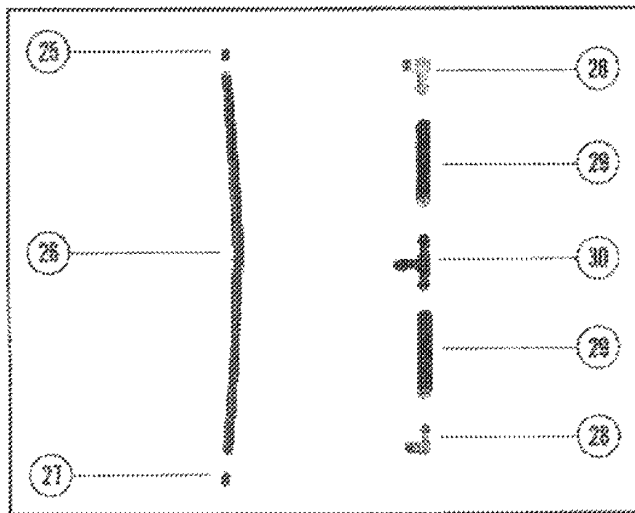
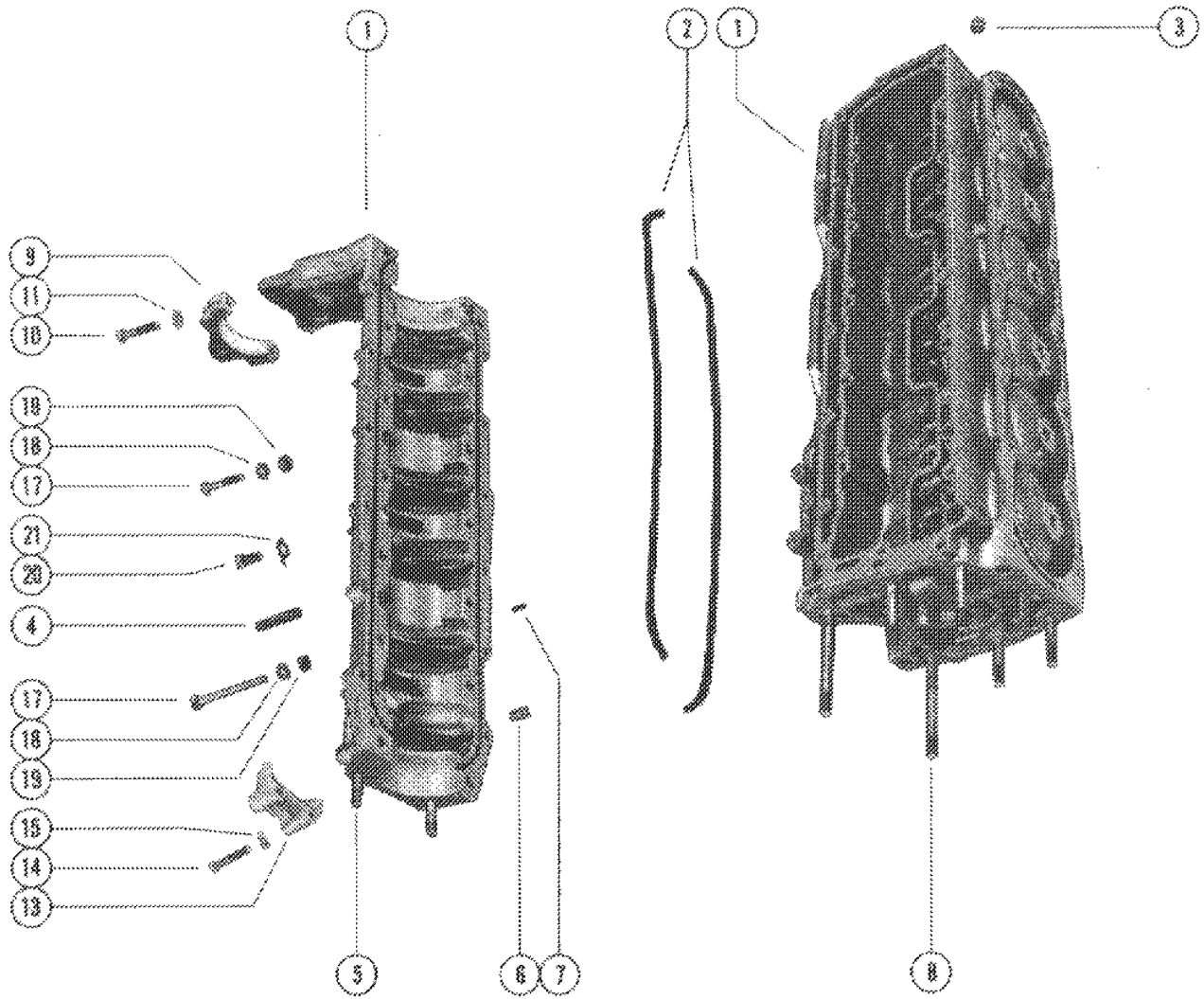
FUEL PUMP AND FUEL LINE ASSEMBLY



FUEL PUMP AND FUEL LINE ASSEMBLY

REF. NO.	PART NO.	SYM.	QTY.	DESCRIPTION
1	66530A2		1	FUEL PUMP ASSEMBLY
2	21-30430A7		1	CHECK VALVE ASSEMBLY
3	66599A1		1	DIAPHRAGM ASSEMBLY
4			2	GASKET, DIAPHRAGM
5			2	GASKET, CHECK VALVE
6			1	"O" RING, COVER TO HOUSING
7			1	GASKET, NYLON - FILTER COVER SCREW
8	35-59072		1	SCREEN, FILTER - INLET
9	23004		1	RETAINER, CHECK VALVE
10	10-20037		2	SCREW, RETAINER TO FUEL PUMP (1/4")
12	59071		1	COVER, FUEL INLET
13	10-37370		1	SCREW, COVER TO FUEL PUMP (5/8")
18	22-64704		2	FITTING, PULSE LINE (90)
19	24-68434		2	SPRING, PULSE LINE
20	32-70432		2	PULSE LINE (3 1/4")
21	54-68424		12	CLAMP, FUEL LINE ATTACHING
22	22-64704		2	FITTING, PULSE LINE TO TRANSFER COVER (90)
23	32-70432		1	FUEL LINE, ADAPTOR TO FUEL PUMP (6 3/4")
24	22-63981		1	ELBOW, FUEL LINE TO ADAPTOR
25	32-70432		1	FUEL LINE, FUEL PUMP TO UPPER CARBURETOR (15 3/4")
26	54-22627		1	CLIP, FUEL LINE ATTACHING
27	10-62568		1	SCREW, FUEL LINE CLIP (3/8")
28	69205		1	"D" WASHER, FUEL LINE CLIP SCREW
29	22-66328		1	FITTING, TEE - UPPER CARBURETOR
30	22-64706		1	FITTING, TEE - CENTER CARBURETOR
31	22-64704		1	FITTING, ELBOW - LOWER CARBURETOR
32	32-70432		2	FUEL LINE, CARBURETOR TO CARBURETOR (6 1/4")
33	22833		1	ADAPTOR, CHECK UNIT (FUEL LINE)
34	23069		1	STEM, CHECK UNIT ADAPTOR
35	24-23067		1	SPRING, ADAPTOR STEM
36	25-20415		1	"O" RING, ADAPTOR STEM
37	30188		1	CUP WASHER, ADAPTOR
38	10-69029		2	SCREW, ADAPTOR TO BOTTOM COWL (1 3/4")

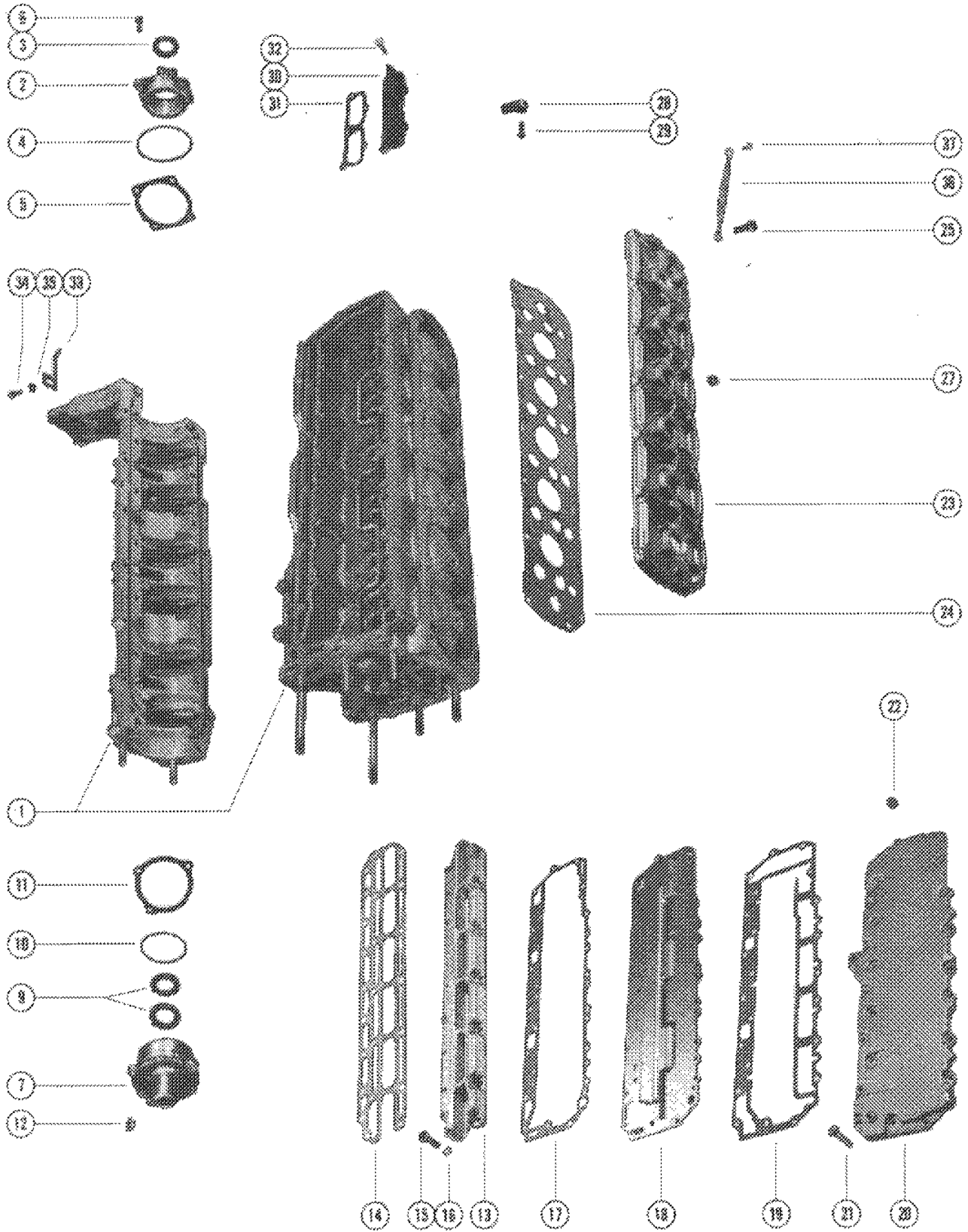
CYLINDER BLOCK AND CRANKCASE ASSEMBLY



CYLINDER BLOCK AND CRANKCASE ASSEMBLY

REF. NO.	PART NO.	SYM.	QTY.	DESCRIPTION
1	852-6631A3		1	CYLINDER BLOCK AND CRANKCASE ASSEMBLY
2	27-53862		2	GASKET, CRANKCASE TO CYLINDER BLOCK
3	66517		5	RESTRICION, CRANKCASE BLEED
4	16-64280		6	STUD, CARBURETOR MOUNTING (1 3/16")
5	16-64281		2	STUD, CRANKCASE TO EXHAUST EXTENSION PLATE (1 7/8")
6	17-20033		2	PIN, DOWEL - CRANKCASE TO CYLINDER BLOCK
7	17-63779		3	PIN, DOWEL - CYLINDER BLOCK TO MAIN BEARING
8	16-66739		6	STUD, CYLINDER BLOCK TO DRIVE SHAFT HOUSING PLATE 4 3/16"
9	56029		1	COVER, STARTER MOTOR BRACKET - TOP
10	10-69762		1	SCREW, TOP COVER ATTACHING (1 3/8")
	10-69267		1	SCREW, TOP COVER ATTACHING (1 3/4")
11	13-26993		2	LOCKWASHER, TOP COVER SCREWS
13	76867		1	COVER, STARTER MOTOR BRACKET - BOTTOM
14	10-69268		2	SCREW, BOTTOM COVER ATTACHING (1 7/8")
15	13-26993		2	LOCKWASHER, BOTTOM COVER SCREW
17	10-57841		3	SCREW, CRANKCASE TO CYLINDER BLOCK (2 3/4")
	10-32293		2	SCREW, CRANKCASE TO CYLINDER BLOCK (1 3/4")
	10-73657		20	SCREW, CRANKCASE TO CYLINDER BLOCK (1 1/2")
18	12-22753		25	WASHER, CRANKCASE TO CYLINDER BLOCK SCREWS
19	11-29250		2	NUT, CRANKCASE TO CYLINDER BLOCK SCREWS (LOWER)
20	10-20359		2	SCREW, CENTER MAIN BEARING LOCKING
21	14-20091		2	TAB WASHER, BEARING LOCKING SCREW
22	58124A4		1	SWITCH, MERCURY
23	10-69235		1	SCREW, SWITCH TO FRONT MOUNTING BRACKET (1/2")
24	10-62568		1	SCREW, MERCURY SWITCH LEAD
25	21-77560		1	CHECK VALVE, BLEED HOSE - UPPER
26	32-54936		1	HOSE, BLEED (22")
27	21-77561		1	CHECK VALVE, BLEED HOSE - LOWER
28	22-20781		2	ELBOW, BALANCE HOSE
29	32-34395A1		2	HOSE, BALANCE - MAIN BEARING (6 1/4")
30	22-78742		1	TEE, BALANCE HOSE

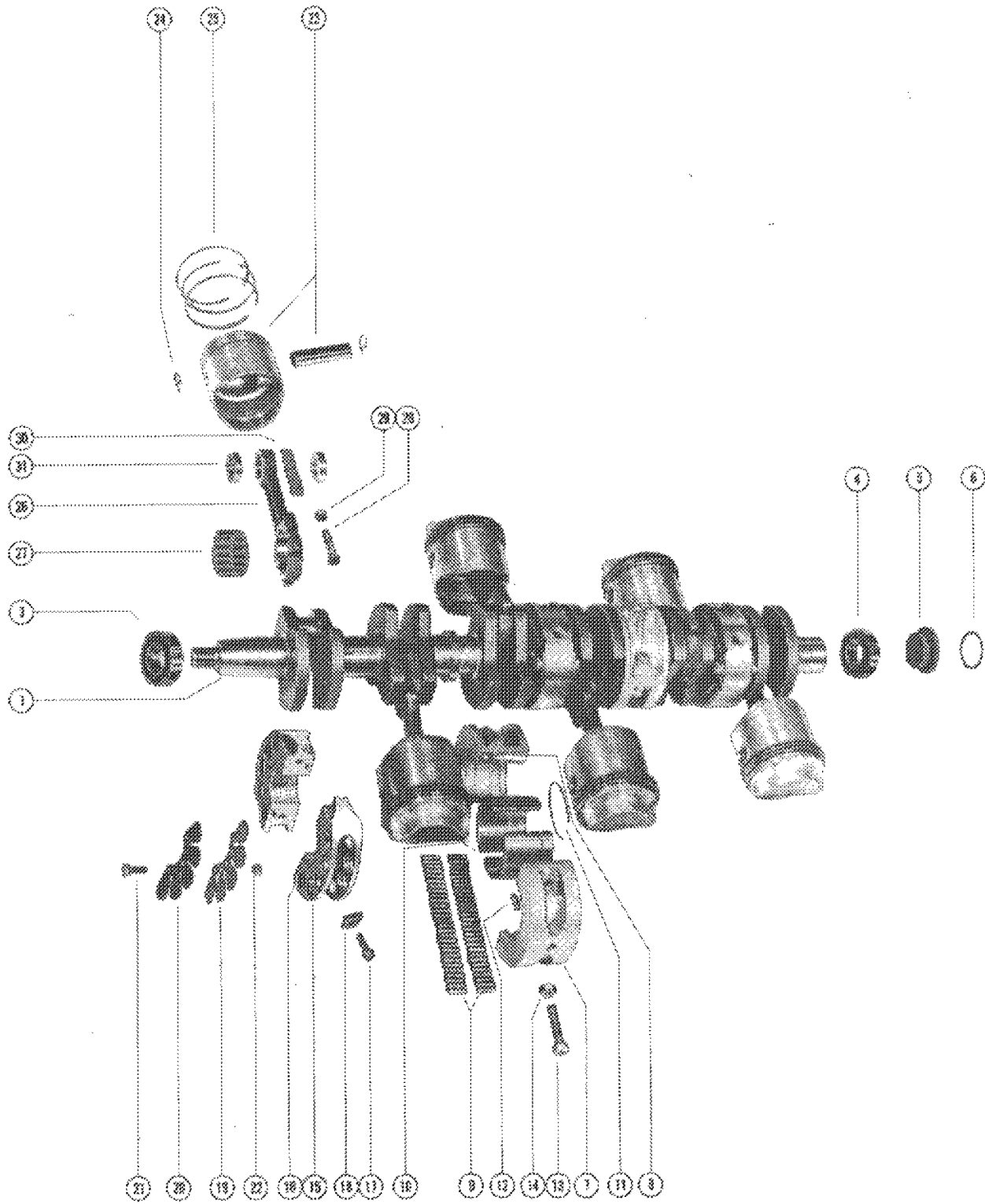
END CAP, MANIFOLD AND EXHAUST COVERS



END CAP, MANIFOLD AND EXHAUST COVERS

REF. NO.	PART NO.	SYM.	QTY.	DESCRIPTION
1	852-6687A1		1	CYLINDER BLOCK AND CRANKCASE ASSEMBLY
2	1134-3197A1		1	END CAP ASSEMBLY
3	26-29476		1	OIL SEAL, END CAP
4	25-47254		1	"O" RING
5	15-47248A1		AR	SHIM, END CAP TO CRANKCASE (.006-8-10)
6	10-69034		4	SCREW, END CAP MOUNTING
7	1148-5410A1		1	END CAP ASSEMBLY, LOWER
9	26-29476		2	OIL SEAL, END CAP
10	25-32546		1	"O" RING, END CAP
11	15-20085A1		AR	SHIM, END CAP TO CRANKCASE (.002-3-5-10)
12	10-69034		3	SCREW, END CAP MOUNTING (1")
13	71808		1	COVER, WATER JACKET - CYLINDER BLOCK
14	27-72142		1	GASKET, WATER JACKET COVER
15	10-53167		23	SCREW, WATER JACKET COVER TO CYLINDER BLOCK (7/8")
16	12-70132		23	WASHER, WATER JACKET COVER FASTENING SCREW
17	27-72507		1	GASKET, CYLINDER BLOCK TO BAFFLE PLATE
18	75778		1	PLATE, BAFFLE - EXHAUST MANIFOLD
19	27-72509		1	GASKET, BAFFLE PLATE TO EXHAUST MANIFOLD COVER
20	79019		1	COVER, EXHAUST MANIFOLD
21	10-53576		24	SCREW, MANIFOLD COVER MOUNTING
22	22-32802		1	PLUG, PIPE - EXHAUST MANIFOLD COVER
23	1023-5070		1	COVER, CYLINDER BLOCK
24	27-72506		1	GASKET, CYLINDER BLOCK COVER
25	10-69100		16	SCREW, COVER MOUNTING (1")
27	22-68307		1	PLUG, PIPE - CYLINDER BLOCK COVER
28	37440		1	BRACKET, MOUNT SUPPORT - CYLINDER BLOCK
29	10-24234		1	SCREW, BRACKET TO CYLINDER BLOCK (1")
30	62301		2	COVER, TRANSFER PORT (TOP/MIDDLE)
	66094		1	COVER, TRANSFER PORT (BOTTOM)
31	27-64941		1	GASKET, TRANSFER PORT COVER
32	10-69100		16	SCREW, TRANSFER PORT COVER MOUNTING (1")
	10-28636		11	SCREW, TRANSFER PORT COVER MOUNTING (3/4")
33	76367		1	POINTER, TIMING
34	10-28636		1	SCREW, TIMING POINTER ATTACHING (3/4")
35	12-35462		1	WASHER, TIMING POINTER SCREW
36	46933A3		2	GROUND STRAP ASSEMBLY, EXHAUST COVER
37	10-62568		2	SCREW, GROUND STRAP ATTACHING (3/8")

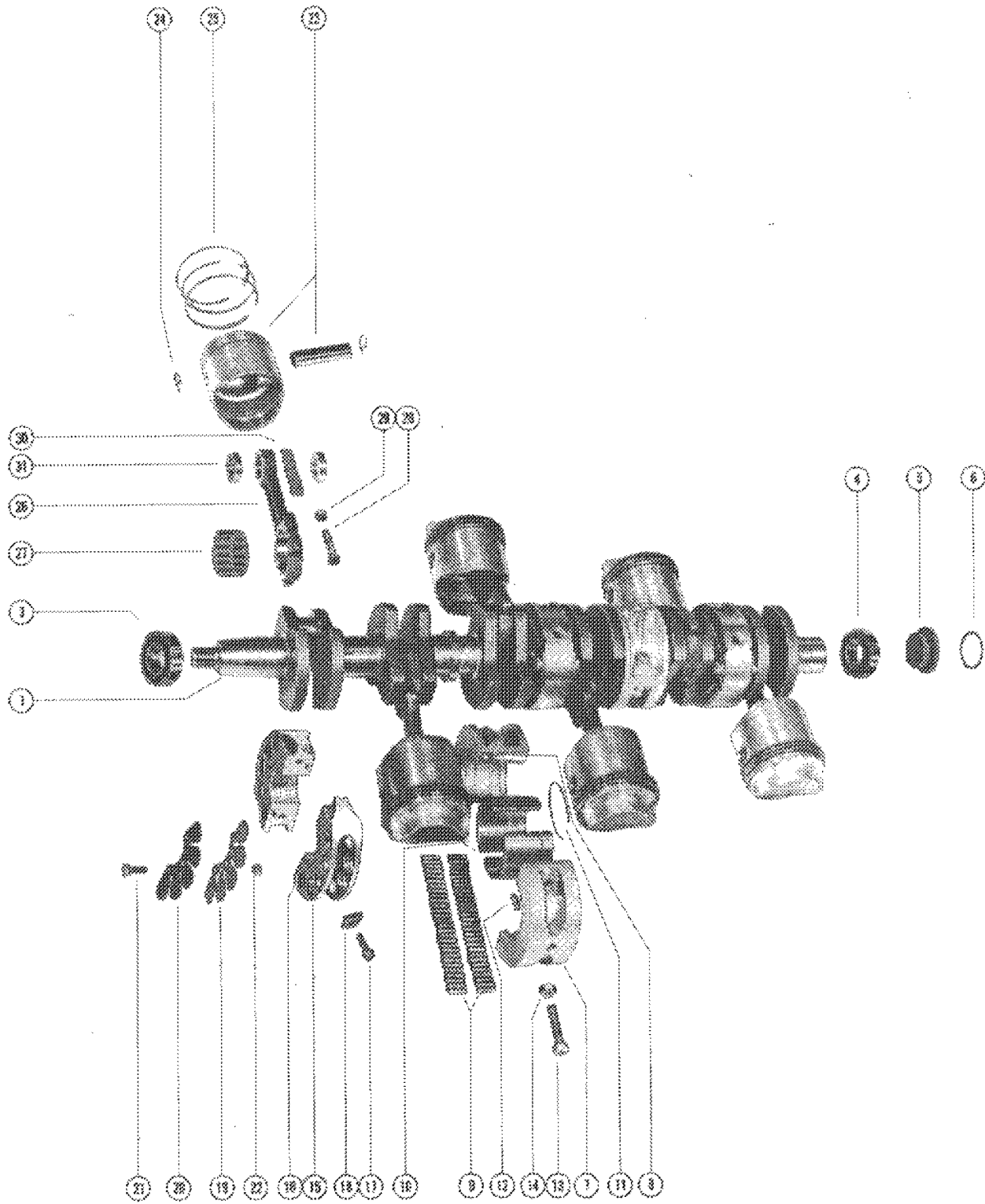
CRANKSHAFT, PISTONS AND CONNECTING RODS



CRANKSHAFT, PISTONS AND CONNECTING RODS

REF. NO.	PART NO.	SYM.	QTY.	DESCRIPTION
1	436-6646A2		1	CRANKSHAFT ASSEMBLY
3	30-62567		1	BEARING, BALL - UPPER
4	30-63742		1	BEARING, BALL - LOWER
5	54196A6		1	CARRIER ASSEMBLY, "O" RING
6	65800		1	"O" RING, CARRIER
7	535-5397A4		2	CENTER MAIN BEARING ASSEMBLY
8	17-20032		4	DOWEL PIN, CENTER MAIN BEARING
9	29-52168		112	BEARING, NEEDLE - OUTER RACE
10	26113		2	RACE, OUTER (PAIR)
11	53-26933		2	RING, SNAP - OUTER RACE
12	17-47246		2	DOWEL PIN, STEPPED
13	10-22968		4	SCREW, CENTER MAIN BEARING CLAMPING
14	11-46887		4	NUT, BEARING CLAMPING SCREW
15	540-5266A4		3	MAIN BEARING ASSEMBLY, VALVE TYPE
16	17-20032		6	DOWEL PIN, MAIN BEARING
17	10-45775		6	SCREW, MAIN BEARING CLAMPING
18	11-45774		6	NUT, MAIN BEARING CLAMPING SCREW
19	34-65312A1		3	REED SET, MATCHED - MAIN BEARING
20	34-65319		12	REED STOP, MAIN BEARING REED VALVES
21	10-62204		30	SCREW, REED STOP MOUNTING
22	11-53153		30	NUT, REED STOP SCREW
23	745-6637A3		6	PISTON AND PISTON PIN ASSEMBLY
24	40-52035		12	LOCK RING, PISTON PIN
25	39-78816A12		2	RING, PISTON
26	622-4850A3		6	CONNECTING ROD AND CAP ASSEMBLY
27	31-62596A1		6	BEARING ASSEMBLY, CRANKPIN
28	10-54803		12	SCREW, CONNECTING ROD
29	11-49091		12	NUT, CONNECTING ROD SCREW
30	29-47270		174	BEARING, NEEDLE - PISTON PIN
31	12-47247		12	WASHER, NEEDLE LOCATING

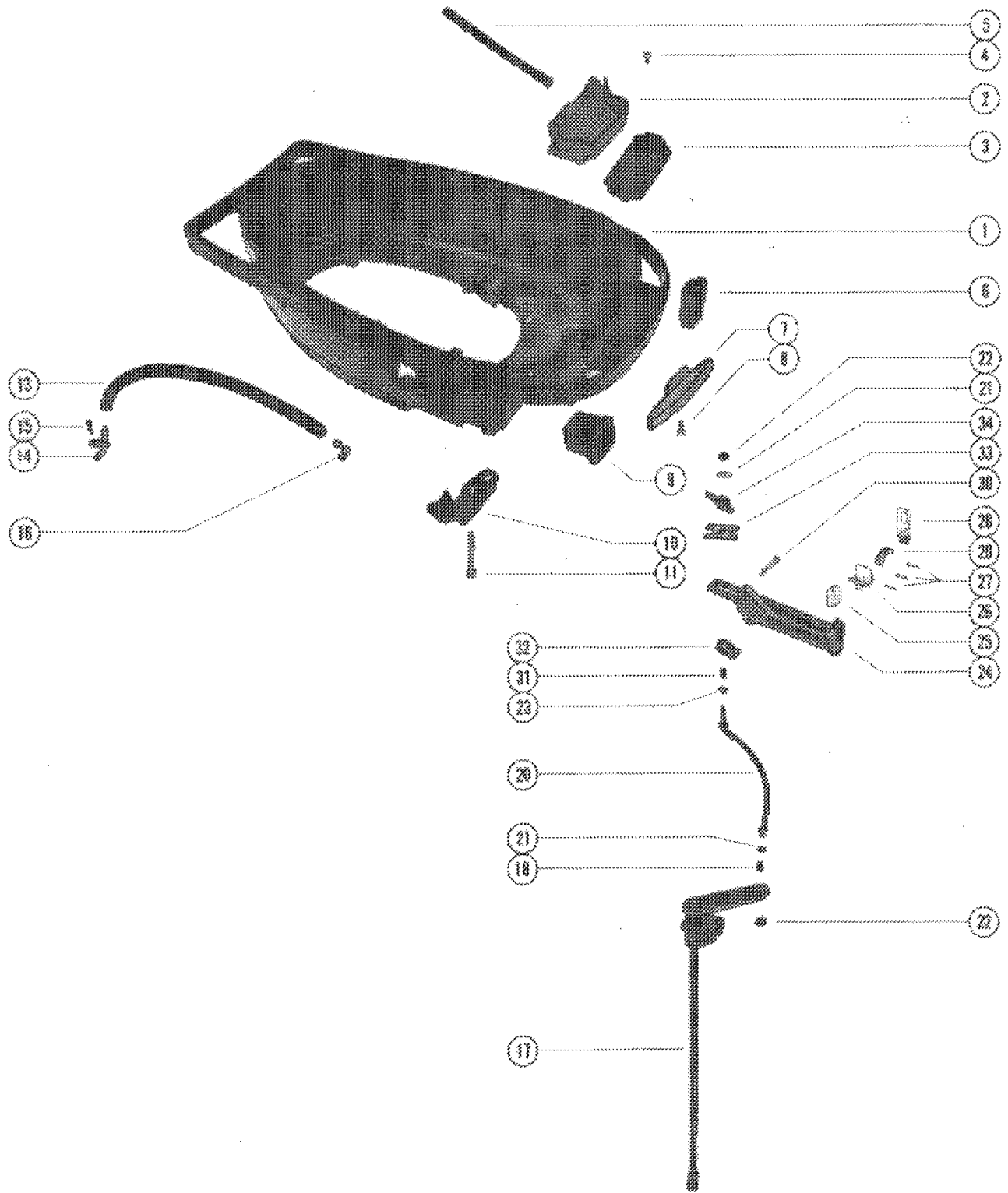
.015 OVERSIZE PISTONS AND RINGS



.015 OVERSIZE PISTONS AND RINGS

REF. NO.	PART NO.	SYM.	QTY.	DESCRIPTION
-	745-6694A2		6	PISTON AND PISTON PIN ASSEMBLY
-	39-78811A12		2	RING, PISTON

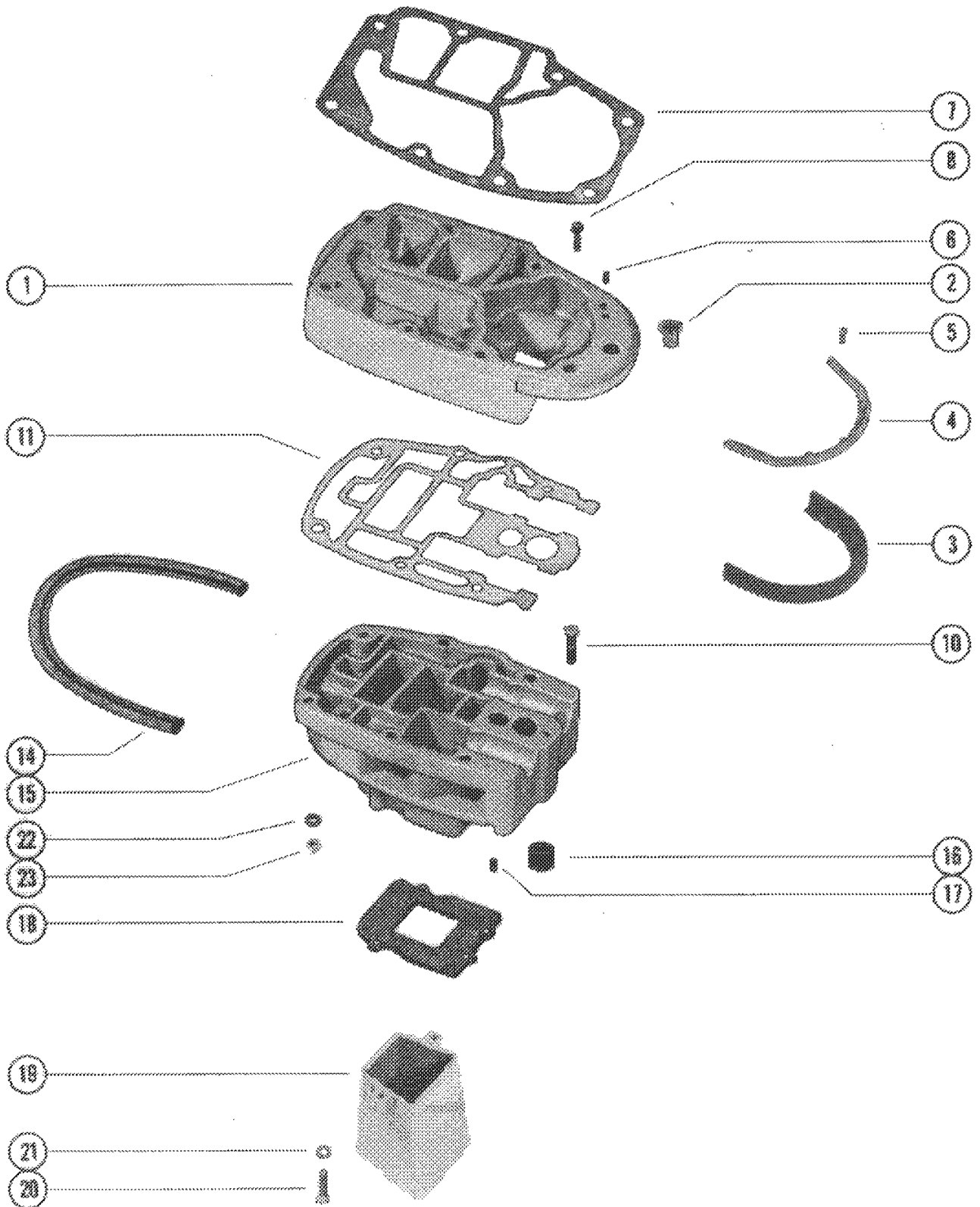
BOTTOM COWL AND SHIFT LINKAGE



BOTTOM COWL AND SHIFT LINKAGE

REF. NO.	PART NO.	SYM.	QTY.	DESCRIPTION
1	2115-662		1	COWL, BOTTOM
2	52862A2		1	DRIP TRAY SSEMBLY, BOTTOM COWL
3	37940		1	PAD, SOUND - DRIP TRAY
4	10-48408		4	SCREW, DRIP TRAY TO BOTTOM COWL (1/2"0
5	32-34395A1		1	HOSE, DRIP TRAY TO BOTTOM COWL (8")
6	39616		1	BOOT, CONTROL CABLES - BOTTOM COWL
7	76369		1	SPACER, BOTTOM COWL (COWL FRONT COVER)
8	10-48591		2	SCREW, SPACER TO BOTTOM COWL (1/2")
9	37637		1	BOOT, FUEL CONNECTOR - BOTTOM COWL
10	37445		1	SUPPORT, WIRING HARNESS - BOTTOM COWL
11	10-69029		2	SCREW, SUPPORT TO BOTTOM COWL (1 3/4")
13	32-34395A1		1	HOSE, TELL TALE - EXHAUST COVER TO BOTTOM COWL (21 1/2")
14	52889		1	NOZZLE, TELL TALE HOSE TO BOTTOM COWL
15	10-48408		1	SCREW, TELL TALE NOZZLE TO BOTTOM COWL (1/2")
16	22-78279		1	ELBOW, TELL TALE HOSE TO CYLINDER BLOCK
17	60304A55		1	SHIFT SHAFT ASSEMBLY, UPPER
18	23-26600		1	BUSHING, SHIFT SHAFT
20	48047A1		1	LINK ROD ASSEMBLY
21	12-35462		2	WASHER, LINK ROD
22	11-36069		2	NUT, LINK ROD
23	13-29720		1	WASHER, WAVE - LINK ROD
24	52732		1	BRACKET, ANCHOR - CONTROL CABLES
25	39519		1	CAP, BARREL RETAINER - ANCHOR BRACKET
26	39618		1	LEVER, NYLON - SHIFT CABLE LOCKING
27	17-47175		3	PIN, LOCKING LEVER AND COVER FASTENING
28	39667		1	COVER, NYLON - SHIFT CABLE
29	65799		1	LINK, LOCKING LEVER TO COVER
30	10-24234		3	SCREW, ANCHOR BRACKET TO CYLINDER BLOCK (1")
31	24-20099		1	SPRING, LINK ROD TO GUIDE BLOCK
32	37896		1	GUIDE BLOCK, LINK ROD
33	52100		1	WEAR PLATE, LINK ROD
34	38279		1	LATCH, CONTROL CABLE FASTENING - ANCHOR BRACKET

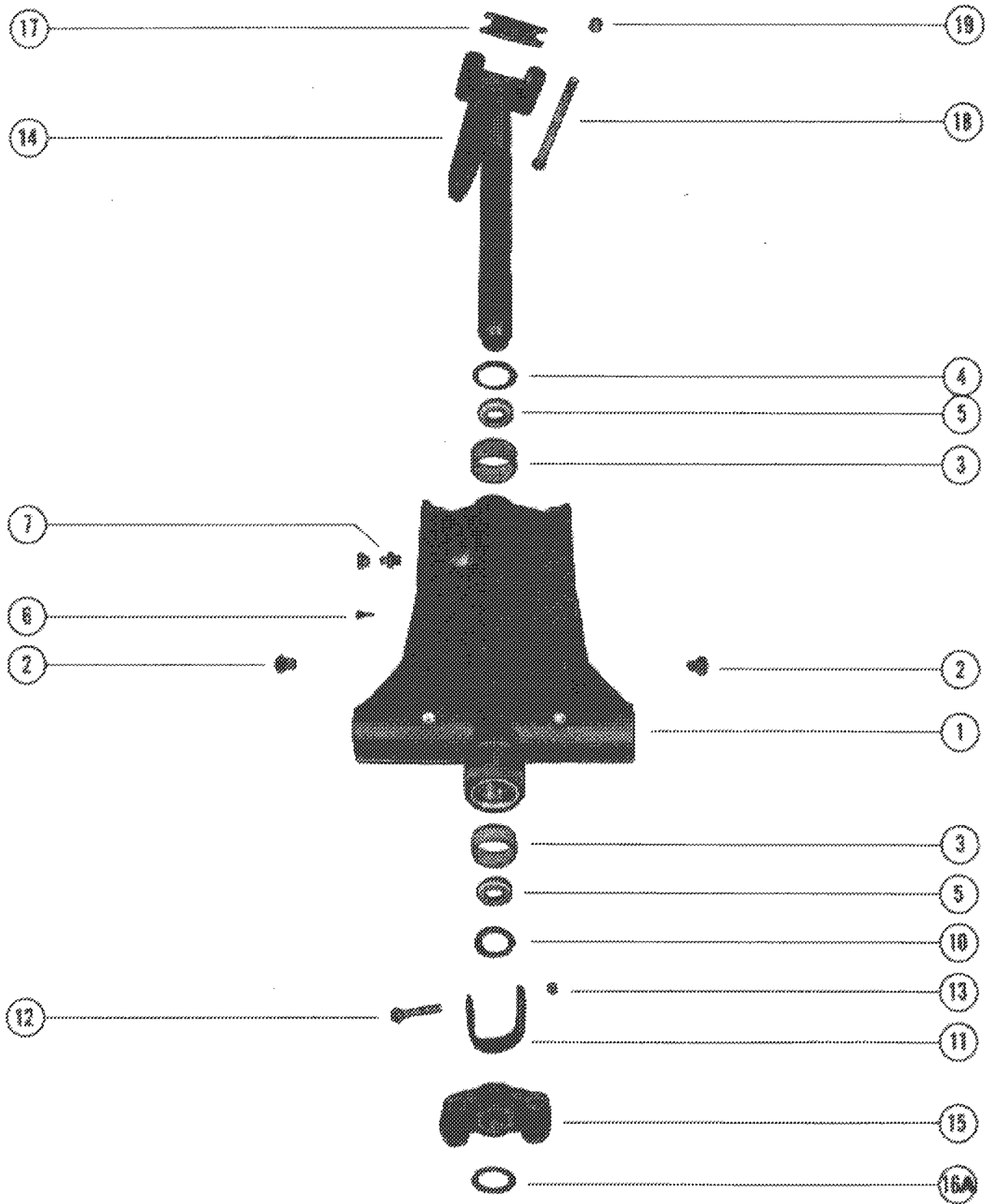
EXHAUST EXTENSION PLATE



EXHAUST EXTENSION PLATE

REF. NO.	PART NO.	SYM.	QTY.	DESCRIPTION
1	66096A1		1	PLATE ASSEMBLY, EXHAUST EXTENSION
2	23-27132		1	BUSHING, NYLON - EXHAUST EXTENSION PLATE
3	37918		1	SEAL, EXHASUT EXTENSION PLATE
4	38032		1	STRIP, RETAINING - EXHAUST EXTENSION PLATE SEAL
5	10-37571		5	SCREW, SEAL AND RETAINING STRIP TO EXT. PLATE (1/2")
6	17-23784		2	DOWEL PIN, EXHAUST EXTENSION PLATE
7	27-69238		1	GASKET, POWERHEAD TO EXTENSION PLATE 4
8	10-66023		2	SCREW, ADAPTOR PLATE TO HOUSING PLATE (2")
10	10-66023		7	SCREW, HOUSING PLATE TO DRIVE SHAFT HSG. (2")
11	27-66102		1	GASKET, PLATE TO DRIVE SHAFT HSG. PLATE 4
14	26-60898		1	SEAL, DRIVE SHAFT HOUSING PLATE
15	74257A3		1	PLATE ASSEMBLY, DRIVE SHAFT HOUSING
16	26-38970		1	SEAL, RUBBER - WATER INLET TUBE 4
17	17-23784		2	DOWEL PIN, DRIVE SHAFT HOUSING PLATE
18	27-62362		1	GASKET, MEGAPHONE TO DRIVE SHAFT HOUSING PLATE 4
19	60437		1	MEGAPHONE, EXHAUST
20	10-60480		3	SCREW, MEGAPHONE TO DRIVE SHAFT HOUSING PLATE (1 1/8")
21	12-29245		3	WASHER, MEGAPHONE SCREW
22	12-25970		6	WASHER, POWERHEAD STUD
23	11-34932		6	NUT, POWERHEAD STUD

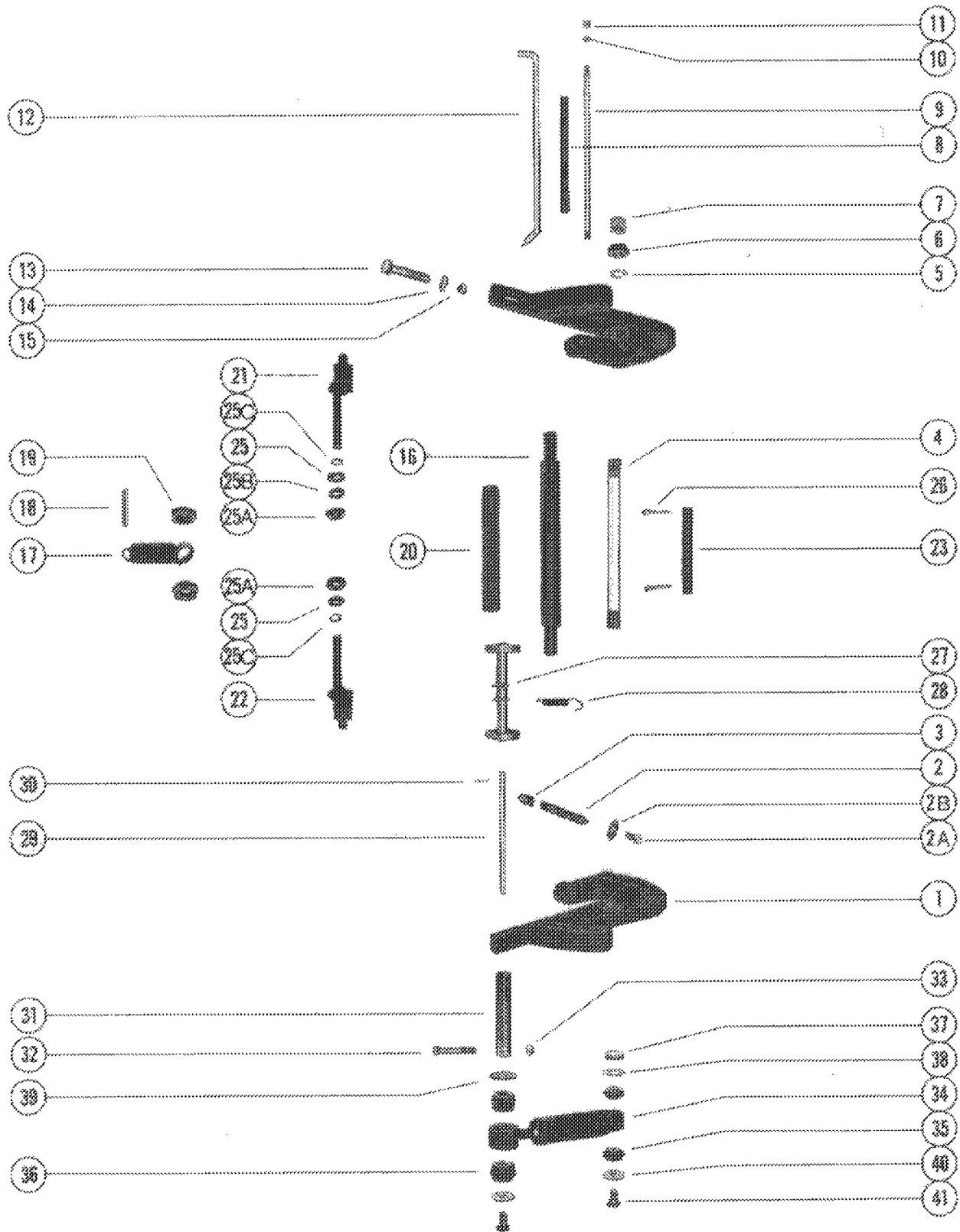
SWIVEL BRACKET ASSEMBLY



SWIVEL BRACKET ASSEMBLY

REF. NO.	PART NO.	SYM.	QTY.	DESCRIPTION
1	1453-6019A2		1	SWIVEL BRACKET ASSEMBLY
2	23-69132		2	BUSHING, REVERSE LOCK PIVOT SHAFT
3	23-69341		2	BUSHING, SWIVEL BRACKET
4	12-69342		1	WASHER, SWIVEL PIN - UPPER
5	26-37448		2	OIL SEAL, SWIVEL BRACKET
6	10-47828		1	SCREW, DRIVE - SWIVEL BRACKET
7	22-74036		4	FITTING, GREASE - SWIVEL BRACKET
10	12-69380		1	WASHER, SWIVEL PIN - LOWER
11	28205		1	STRAP STOP, DRIVE SHAFT HOUSING TO SWIVEL BRACKET
12	10-56743		1	SCREW, STRAP STOP TO DRIVE SHAFT HOUSING (3 1/8")
13	11-25269		1	NUT, STRAP STOP FASTENING SCREW
14	17-73594A1		1	SWIVEL PIN AND ARM ASSEMBLY
15	73984		1	YOKE, BOTTOM
16A	53-73591		1	RETAINING RING, BOTTOM YOKE ATTACHING
17	28203		1	BUMPER, STEERING ARM
18	10-49554		2	BOLT, STEERING ARM TO UPPER MOUNT (5 7/8")
19	11-34933		2	NUT, STEERING ARM BOLT FASTENING

CLAMP BRACKET AND REVERSE LOCK

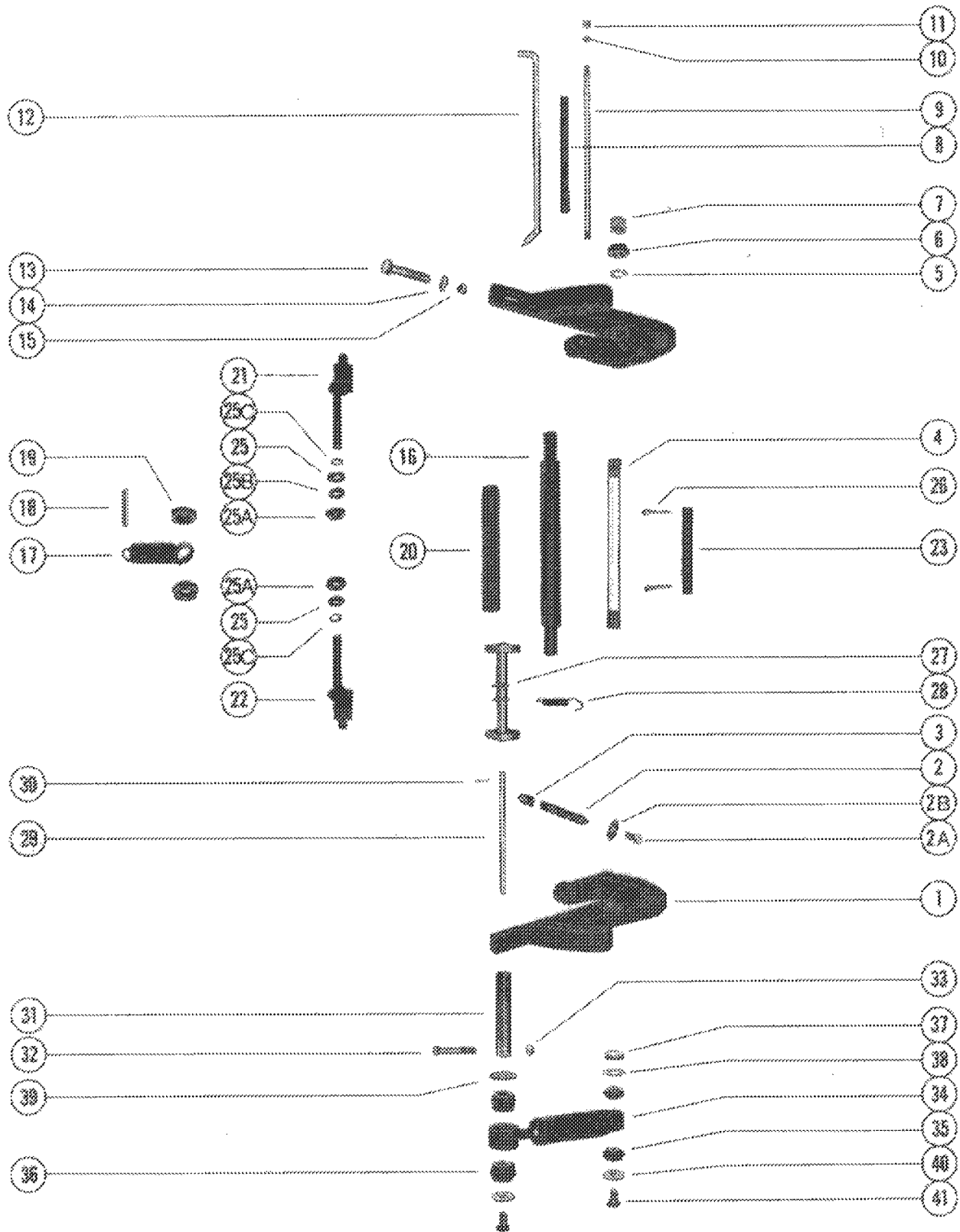


CLAMP BRACKET AND REVERSE LOCK

REF. NO.	PART NO.	SYM.	QTY.	DESCRIPTION
1	1440-6625A3		2	CLAMP BRACKET ASSEMBLY
2	10-78492A1		2	THUMB SCREW ASSEMBLY
2A	10-78495		2	SCREW, WASHER ATTACHING
2B	12-78493		2	WASHER, THUMB SCREW
3	75043		2	CAP, THUMB SCREW
4	74528		1	TUBE, TILT - CLAMP BRACKET TO SWIVEL BRACKET
5	12-52864		2	WASHER, CLAMP BRACKET TILT TUBE
6	11-56041		2	NUT, TILT TUBE FASTENING
7	53078		2	CAP, PLASTIC - TILT TUBE
8	23-59624		1	SPACER, CLAMP BRACKET STUD
9	16-59625		1	STUD, CLAMP BRACKET (NOT USED WITH FULL POWER TRIM)
10	13-26993		2	LOCKWASHER, CLAMP BRACKET STUD
11	11-28770		2	NUT, CLAMP BRACKET STUD
12	17-49930A1		1	TILT LOCK PIN ASSEMBLY (NOT USED WITH FULL POWER TRIM)
13	10-68298		2	BOLT, CLAMP BRACKET TO BOAT TRANSOM (LOWER)
	10-68299		2	BOLT, CLAMP BRACKET TO BOAT TRANSOM (UPPER)
14	12-68410		2	WASHER, CLAMP BRACKET BOLT (LOWER)
	12-68300		2	WASHER, CLAMP BRACKET BOLT (UPPER)
15	11-68411		4	NUT, CLAMP BRACKET BOLT
16	55-28416		1	PIN, UPPER SHOCK MOUNTING
17	24-28659		1	SPRING, COIL - SWIVEL BRACKET -NOT USED WITH FULL POWER TRIM
18	17-38311		1	PIN, COIL SPRING MOUNTING -NOT USED WITH FULL POWER TRIM
19	23-28688		2	SPACER, RUBBER - COIL SPRING POSITIONING -NOT USED WITH FULL POWER TRIM
20	63473		1	TUBE, CUSHION - SHOCK PIN (USED WITH FULL POWER TRIM)
21	76386		1	TILT LOCK ASSEMBLY (STARBOARD)
22	76385		1	TILT LOCK ASSEMBLY (PORT)
23	47802		1	TUBE, TILT LOCK
-	13-69150		2	WASHER, WAVE - TILT LOCK
-	23-47803		2	BUSHING, TILT LOCK
25	13-69150		1	WASHER, WAVE - TILT LOCK (STARBOARD SIDE ONLY)
25A	26-22734		2	OIL SEAL, SWIVEL BRACKET (TILT LOCK)
25B	12-76388		1	WASHER, TILT LOCK (STARBOARD SIDE ONLY)
25C	25-62702		2	"O" RING, TILT LOCK
26	18-47959		2	COTTER PIN, TILT LOCK
27	70692		1	REVERSE LOCK ASSEMBLY NOT USED WITH FULL POWER TRIM
28	24-78203A1		1	SPRING, REVERSE LOCK TENSION -NOT USED WITH FULL POWER TRIM

CONTINUED ON NEXT PAGE ➡

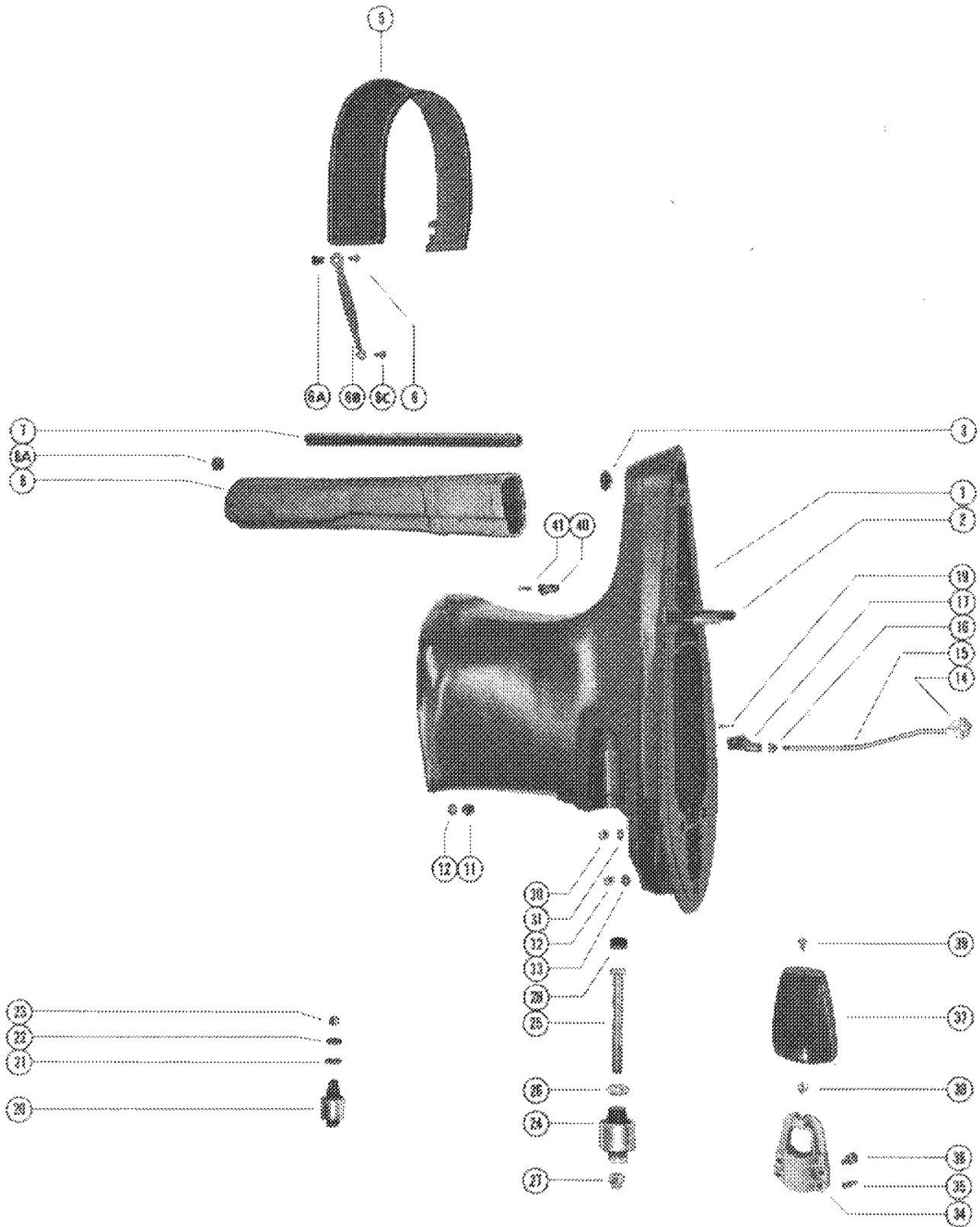
CLAMP BRACKET AND REVERSE LOCK



CLAMP BRACKET AND REVERSE LOCK

REF. NO.	PART NO.	SYM.	QTY.	DESCRIPTION
29	56349		1	SHAFT, REVERSE LOCK PIVOT -NOT USED WITH FULL POWER TRIM
30	18-45882		1	COTTER PIN, REVERSE LOCK TO SHAFT -NOT USED WITH FULL POWER TRIM
31	55-65447		2	PIN, LOWER SHOCK MOUNTING
32	10-21937		2	SCREW, LOWER SHOCK PIN
33	11-46887		2	NUT, LOWER SHOCK PIN SCREW
34	55-58780A2		2	SHOCK ABSORBER NOT USED WITH FULL POWER TRIM
35	23-32171		4	BUSHING, RUBBER - SHOCK ABSORBER (UPPER) -NOT USED WITH FULL POWER TRIM
36	23-28198		4	BUSHING, RUBBER - SHOCK ABSORBER (LOWER) -NOT USED WITH FULL POWER TRIM
37	23-73203		2	SPACER, UPPER SHOCK BUSHING TO CLAMP BRACKET
38	12-28196		2	WASHER, UPPER BUSHING RETAINER (INNER)
39	12-59378		2	WASHER, LOWER BUSHING RETAINER (INNER)
40	12-69374		4	WASHER, UPPER AND LOWER BUSHING RETAINER (OUTER)
41	10-69375		4	SCREW, UPPER AND LOWER SHOCK MOUNTING PIN

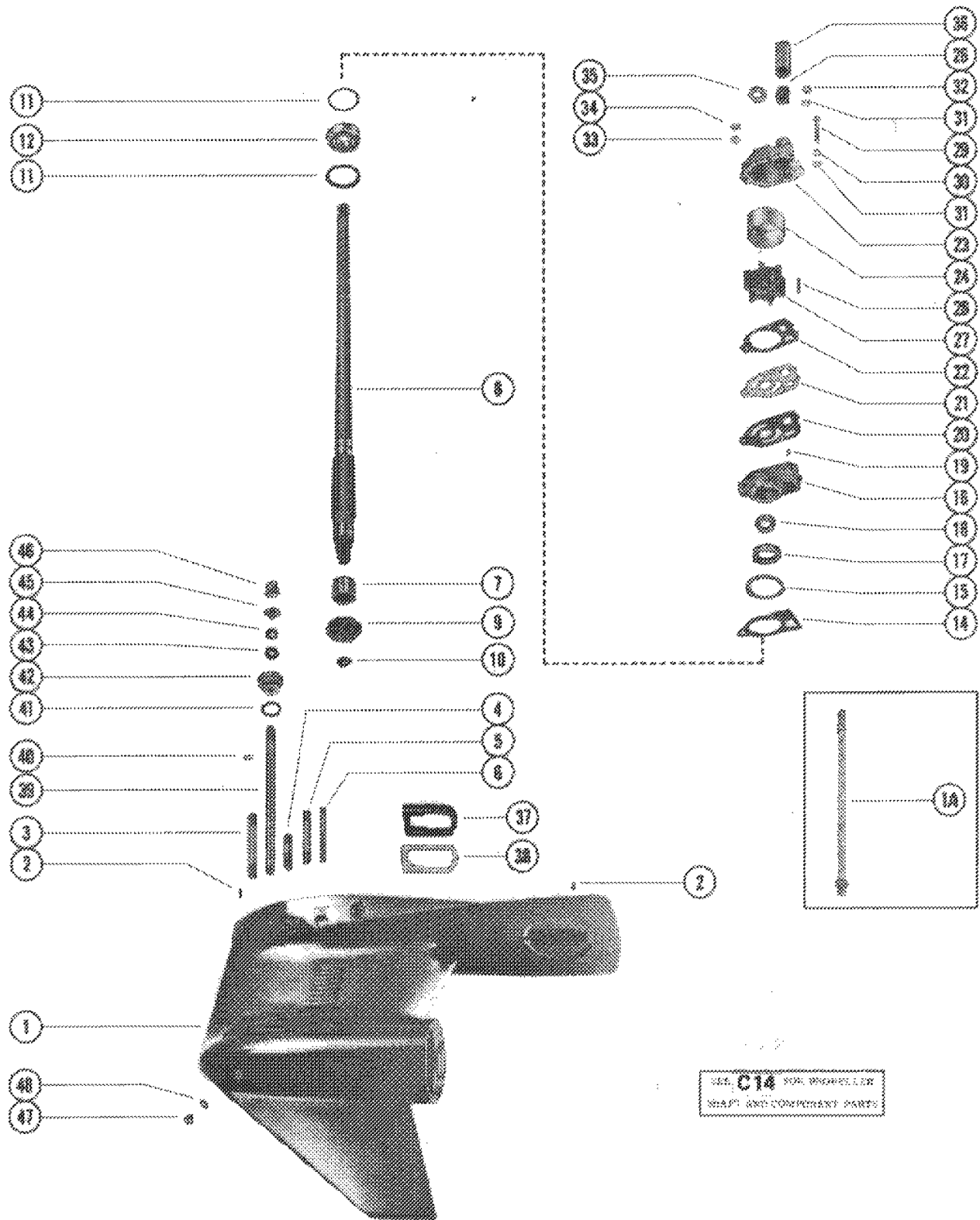
DRIVE SHAFT HOUSING ASSEMBLY



DRIVE SHAFT HOUSING ASSEMBLY

REF. NO.	PART NO.	SYM.	QTY.	DESCRIPTION
1	1575-5240A4		1	DRIVE SHAFT HOUSING ASSEMBLY
2	16-56295		2	STUD, DRIVE SHAFT HOUSING TO GEAR HOUSING (2 11/16")
3	19-64649		1	PLUG, PLASTIC - TRIM TAB SCREW HOLE
5	37417		1	COVER, TRIM - DRIVE SHAFT HOUSING
6	10-57807		4	SCREW, TRIM COVER TO BOTTOM COWL
6A	25-57806		4	GROMMET, PLASTIC - TRIM COVER SCREW
6B	46933A2		2	GROUND STRAP ASSEMBLY, TRIM COVER SCREW
6C	10-62568		2	SCREW, GROUND STRAP ATTACHING
7	32-62864		1	TUBE, WATER INLET
8	65370		1	TUBE, EXHAUST
8A	65638		2	BOOT, TUBE MOUNT
11	11-69254		2	NUT, POWERHEAD STUDS (3/8-24)
12	12-25970		2	WASHER, POWERHEAD STUDS
14	52887		1	GUIDE, PUSH ROD - REVERSE LOCKING NOT USED WITH FULL POWER
15	47591		1	ROD, PUSH - REVERSE LOCK NOT USED WITH FULL POWER
16	11-47661		1	NUT, JAM - PUSH ROD NOT USED WITH FULL POWER
17	47559		1	YOKE, PUSH ROD NOT USED WITH FULL POWER
19	18-25191		1	COTTER PIN, PUSH ROD PIN NOT USED WITH FULL POWER
20	75297		2	MOUNT, RUBBER - UPPER
21	12-47840		2	WASHER, RUBBER - UPPER MOUNT BOLT
22	12-31263		2	WASHER, UPPER MOUNT BOLT
23	11-34933		2	NUT, UPPER MOUNT BOLT
24	75300		2	MOUNT, RUBBER - LOWER
25	10-49318		2	SCREW, LOWER MOUNT (5 1/2")
26	12-49339		2	WASHER, LOWER MOUNT SCREW
27	11-25096		2	NUT, LOWER MOUNT SCREW
28	25067		2	BUMPER, RUBBER - LOWER MOUNTING SCREW
30	11-34933		2	NUT, GEAR HOUSING AND DRIVE SHAFT HOUSING STUDS
31	12-45176		2	WASHER, GEAR HOUSING TO DRIVE SHAFT HOUSING STUDS
32	11-29489		1	NUT, GEAR HOUSING AND DRIVE SHAFT HOUSING STUDS
33	12-45176		1	WASHER, GEAR HOUSING TO DRIVE SHAFT HOUSING STUDS
34	35608		2	CLAMP, LOWER MOUNT TO DRIVE SHAFT HOUSING
35	24-35522		4	SPRING, TENSION - LOWER MOUNT CLAMP
36	10-29256		4	SCREW, LOWER MOUNT CLAMP TO DRIVE SHAFT HOUSING
37	35474		2	COVER, LOWER MOUNT CLAMP
38	11-35521		2	NUT, LOWER MOUNT CLAMP COVER
39	10-29722		2	SCREW, COVER TO LOWER CLAMP MOUNT
40	62497		1	BRACKET, SUPPORT - DRIVE SHAFT
41	10-48409		2	SCREW, SUPPORT BRACKET ATTACHING (5/8")

GEAR HOUSING ASSEMBLY, COMPLETE (PAGE 1)

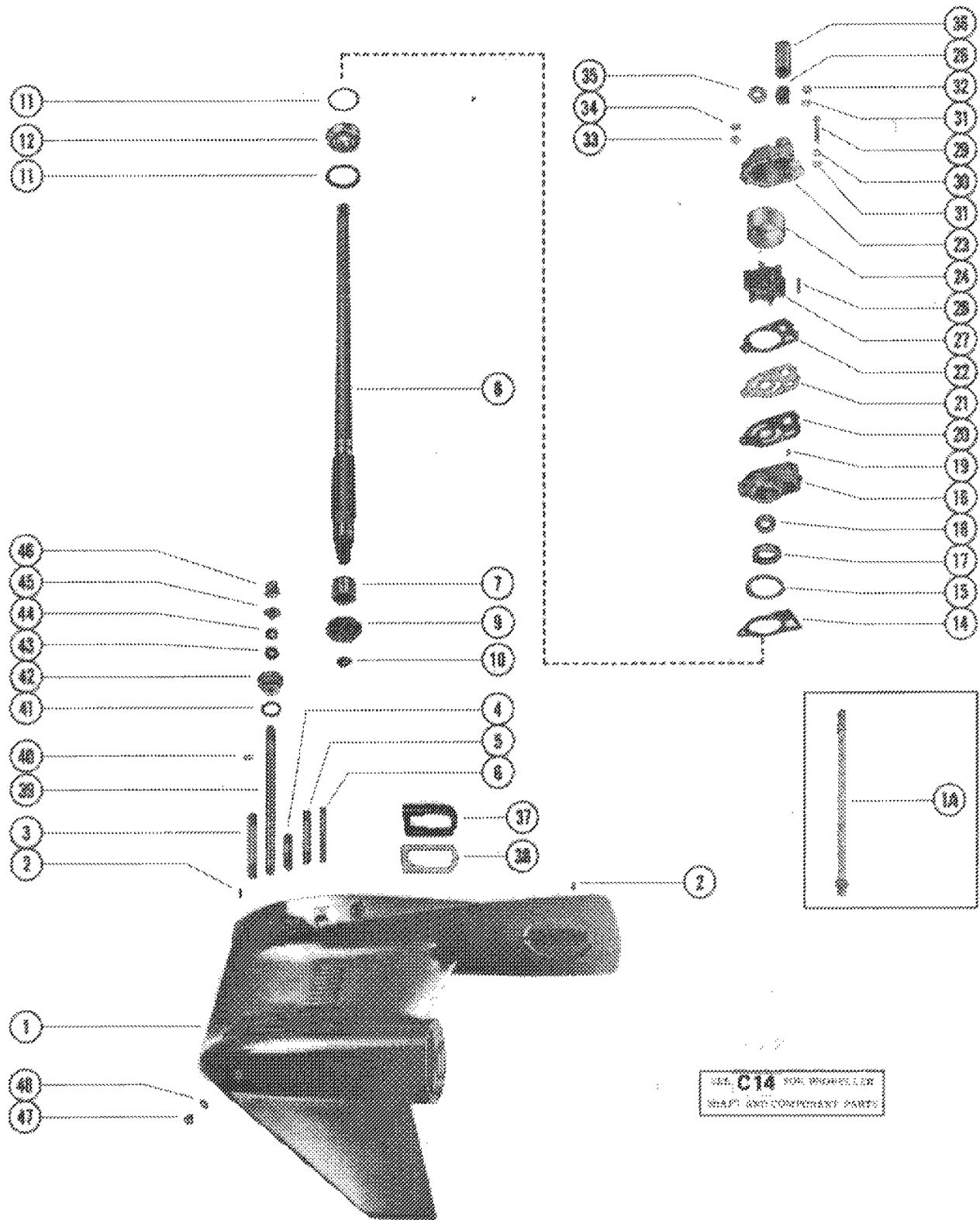


GEAR HOUSING ASSEMBLY, COMPLETE (PAGE 1)

REF. NO.	PART NO.	SYM.	QTY.	DESCRIPTION
-	1623-6048A4		1	GEAR HOUSING ASS'Y, COMP. SEE NOTE BELOW
1	1623-6048A3		1	GEAR HOUSING ASS'Y - SERIAL GROUP #1
	1655-7333A23		1	GEAR HOUSING ASS'Y SERIAL GROUP #2
1A	22-85822A1		1	CONNECTOR ASSEMBLY, SPEEDOMETER -SERIAL GROUP #2
2	17-46912		2	DOWEL PIN, GEAR HOUSING LOCATING
3	16-57921		1	STUD, GEAR HOUSING TO DRIVE SHAFT HOUSING (4'0
4	16-57920		2	STUD, GEAR HOUSING TO DRIVE SHAFT HOUSING (2 1/16")
5	16-56297		1	STUD, WATER PUMP BASE AND BODY TO GEAR HOUSING (3 3/8")
6	16-30667		2	STUD, WATER PUMP BASE AND BODY TO GEAR HOUSING (3 1/8")
7	31-32898		1	BEARING, ROLLER - DRIVE SHAFT
8	45-69250		1	DRIVE SHAFT
9	43-68548		1	GEAR, PINION - DRIVE SHAFT
10	11-35921		1	NUT, PINION GEAR TO DRIVE SHAFT
11	23-70412		1	SPACER, BALL BEARING TO BASE
	15-57007A1		AR	SHIM, BALL BEARING TO BASE
12	31-69220		1	ROLLER BEARING, DRIVE SHAFT
14	27-33146		1	GASKET, WATER PUMP BASE
15	25-33145		1	"O" RING, WATER PUMP BASE
16	46-69222A1		1	WATER PUMP BASE ASSEMBLY
-	19-48750		1	PLUG, FLUSHING
-	12-49221		1	WASHER, FLUSHING PLUG
17	26-31489		1	OIL SEAL, WATER PUMP BASE
18	26-31507		1	OIL SEAL, WATER PUMP BASE
19	17-35973		2	DOWEL PIN, WATER PUMP BASE TO WATER PUMP BODY
20	27-32433		1	GASKET, LOWER - WATER PUMP BASE TO FACE PLATE
21	32435		1	PLATE, FACE - WATER PUMP BASE TO WATER PUMP BODY
22	27-32434		1	GASKET, UPPER - FACE PLATE TO WATER PUMP BODY
23	46-64141A1		1	WATER PUMP BODY ASSEMBLY
24	48752		1	INSERT, WATER PUMP BODY
26	26-38970		1	SEAL, RUBBER - WATER INLET TUBE
27	47-65960		1	IMPELLER, WATER PUMP
28	28-56654		1	KEY, IMPELLER DRIVE
29	10-30720		1	SCREW, WATER PUMP BODY TO GEAR HOUSING (2 1/4")
30	13-26992		1	LOCKWASHER, WATER PUMP BODY SCREW
31	12-29245		3	WASHER, WATER PUMP BODY FASTENING SCREW AND STUD
32	11-35888		2	NUT, WATER PUMP FASTENING SCREW
33	12-36001		1	WASHER, WATER PUMP BODY FASTENING STUD
34	11-35814		1	NUT, WATER PUMP BODY FASTENING STUD

CONTINUED ON NEXT PAGE ➡

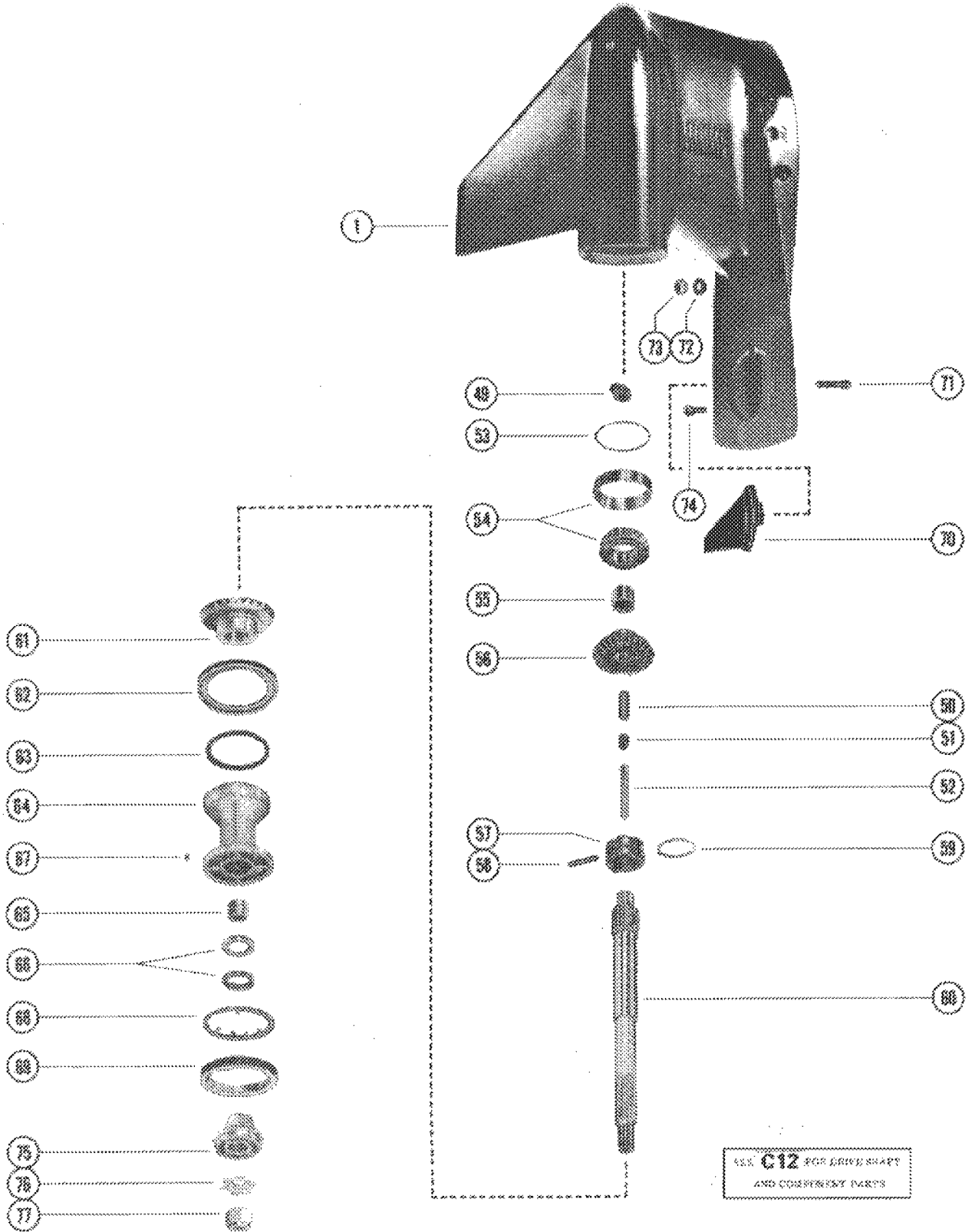
GEAR HOUSING ASSEMBLY, COMPLETE (PAGE 1)



GEAR HOUSING ASSEMBLY, COMPLETE (PAGE 1)

REF. NO.	PART NO.	SYM.	QTY.	DESCRIPTION
35	25-30271		1	RING, RUBBER - CENTRIFUGAL SLINGER (DRIVE SHAFT)
36	23-29804		1	SLEEVE, GUIDE - WATER INLET TUBE
37	37641		1	SEAL, EXHAUST ELBOW
38	38051		1	PLATE, SUPPORT - EXHAUST TUBE SEAL
39	76062A1		1	SHAFT ASSEMBLY, SHIFT - LOWER
40	53-29641		1	"E" RING, RETAINING - SHIFT SHAFT
41	25-25439		1	"O" RING, SHIFT SHAFT BUSHING
42	23-77631A2		1	BUSHING ASSEMBLY, SHIFT SHAFT
43	26-76384		1	OIL SEAL, SHIFT SHAFT BUSHING
44	12-77674		1	WASHER, RUBBER - SHIFT SHAFT BUSHING
45	39019		1	SPACER, LOWER - REVERSE LOCKING NOT USED WITH FULL POWER TRIM
46	39021		1	CAM, REVERSE LOCKING NOT USED WITH FULL POWER TRIM
47	10-79953		1	SCREW, GREASE FILLER AND VENT HOLE
	22-67892		1	PLUG, DRAIN (MAGNETIC)
48	12-20260		2	WASHER, GREASE FILLER AND VENT HOLE SCREW

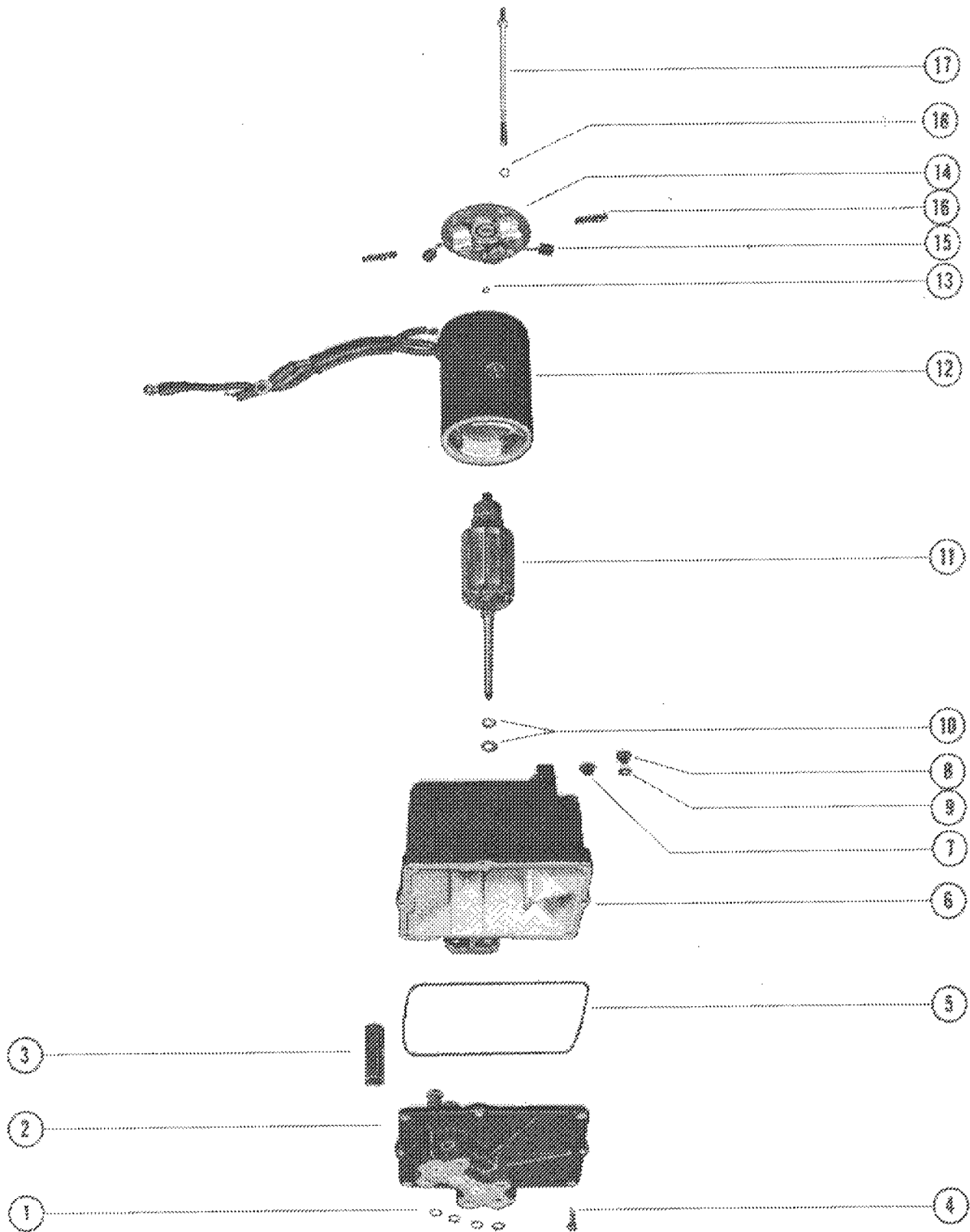
GEAR HOUSING ASSEMBLY, COMPLETE (PAGE 2)



GEAR HOUSING ASSEMBLY, COMPLETE (PAGE 2)

REF. NO.	PART NO.	SYM.	QTY.	DESCRIPTION
-	1653-6048A4		1	GEAR HOUSING ASS'Y, COMP. SEE NOTE BELOW
1	1623-6048A3		1	GEAR HOUSING ASS'Y - SERIAL GROUP #1
	1655-7333A23		1	GEAR HOUSING ASS'Y - SERIAL GROUP #2
49	54346		1	CAM, SHIFT - SERIAL GROUP #1
	76039		1	CAM, SHIFT - SERIAL GROUP #2
50	30625		1	FOLLOWER, CAM
51	30624		1	SLIDE, CROSS PIN
52	24-30622		1	SPRING, COMPRESSION - CAM FOLLOWER
53	15-30923A1		AR	SHIM, BEARING OUTER RACE TO HOUSING (.002-3-5-10)
54	31-30894A1		1	TAPERED ROLLER BEARING ASSEMBLY
55	31-30895		1	BEARING, ROLLER - FORWARD GEAR
56	43-68447		1	FORWARD GEAR
57	52-34239		1	RATCHET, SLIDING GEAR
58	17-30632		1	PIN, CROSS - RATCHET TO PROPELLER SHAFT
59	24-30893		1	SPRING, RETAINING - CROSS PIN
60	44-52542		1	SHAFT, PROPELLER
61	43-68347		1	REVERSE GEAR
62	12-71143A1		1	WASHER, THRUST - BEARING CARRIER TO GEAR HOUSING
63	25-29976		1	"O" RING, BEARING CARRIER
64	73800A1		1	BEARING CARRIER ASSEMBLY
-	25-32546		1	"O" RING, BEARING CARRIER
-	30-31265		1	BALL BEARING, REVERSE GEAR
65	31-30956		1	BEARING, ROLLER - BEARING CARRIER
66	26-76868		2	OIL SEAL, BEARING CARRIER
67	28-30281		1	KEY, LOCATING - BEARING CARRIER
68	14-52700		1	TAB WASHER, GEAR HOUSING COVER
69	52699		1	COVER, GEAR HOUSING
70	31640A1		1	TRIM TAB, GEAR HOUSING
71	10-66024		1	SCREW, TRIM TAB TO GEAR HOUSING (1 3/4")
72	12-45176		2	WASHER, GEAR HOUSING TO DRIVE SHAFT HOUSING STUDS
73	11-34933		2	NUT, GEAR HOUSING TO DRIVE SHAFT HOUSING STUDS
74	10-65210		1	SCREW, GEAR HOUSING TO DRIVE SHAFT HOUSING (1")
75	75282		1	THRUST HUB AND WASHER ASSEMBLY
76	14-31210		1	TAB WASHER, PROPELLER NUT
77	11-52707		1	NUT, PROPELLER

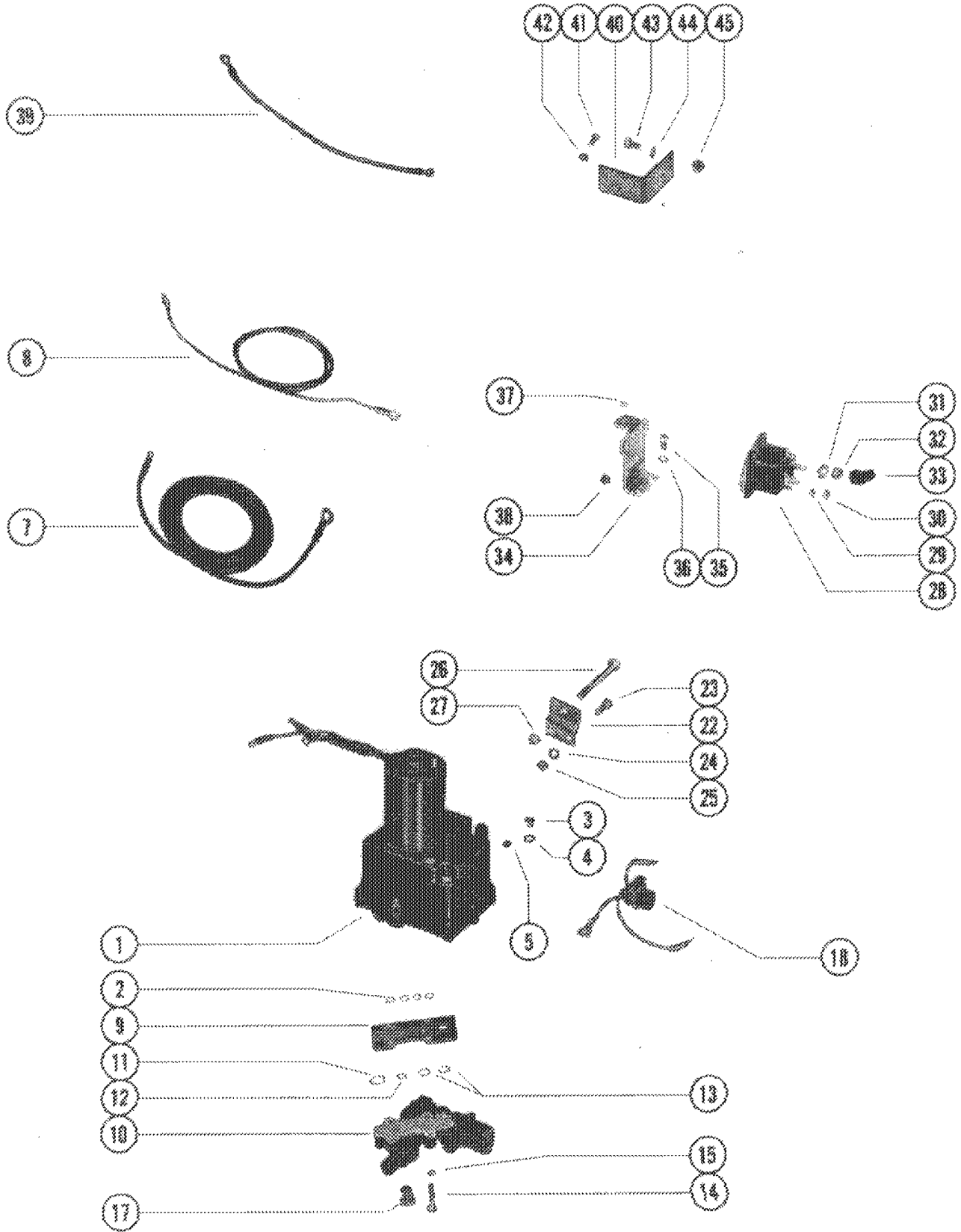
HYDRAULIC PUMP ASSEMBLY



HYDRAULIC PUMP ASSEMBLY

REF. NO.	PART NO.	SYM.	QTY.	DESCRIPTION
-	76395A5		1	HYDRAULIC PUMP ASSEMBLY, COMPLETE
1	25-21720		4	"O" RING, HYDRAULIC PUMP
2	392-2936		1	VALVE BODY AND GEAR ASSEMBLY
3	392-2618		2	CAN, VALVE BODY
4	10-20411		8	SCREW, VALVE BODY TO RESERVOIR
5	392-2937		1	SEAL, RESERVOIR TO VALVE BODY AND GEAR
6	392-2939		1	RESERVOIR ASSEMBLY
7	10-38257		1	SCREW, VENT - HYDRAULIC PUMP
8	10-28634		1	SCREW, FILLER - HYDRAULIC PUMP
9	12-20260		1	WASHER, SEALING - FILLER SCREW
10	392-2623		AR	WASHER, THRUST - ARMATURE
11	392-2943		1	ARMATURE, FIELD AND FRAME
12	392-2942		1	FIELD AND FRAME ASSEMBLY
13	392-2944		1	BALL, COMMUTATOR END PLATE
14	392-2940		1	PLATE ASSEMBLY, COMMUTATOR END
15	392-2941		1	BRUSH SET, COMMUTATOR END PLATE
16	392-2529		1	SPRING SET, BRUSH TENSION
17	392-2938		1	BOLT SET, THRU - PLATE AND FRAME TO RESERVOIR
18	13-26996		2	LOCKWASHER, THRU BOLT

HYDRAULIC PUMP AND CONTROL VALVE

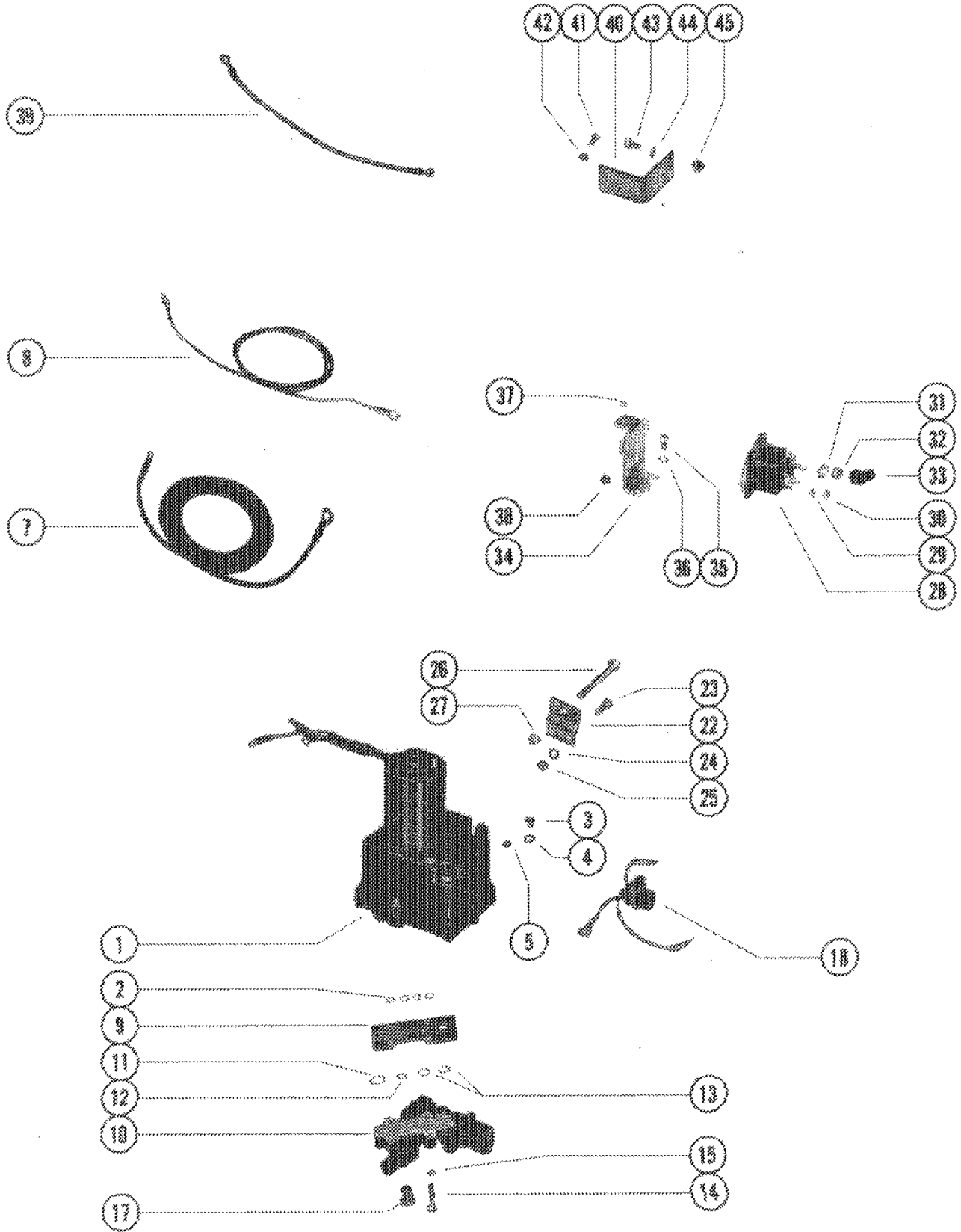


HYDRAULIC PUMP AND CONTROL VALVE

REF. NO.	PART NO.	SYM.	QTY.	DESCRIPTION
1	76395A5		1	HYDRAULIC PUMP ASSEMBLY (SEE NOTE BELOW)
2	25-21720		4	"O" RING, HYDRAULIC PUMP TO MANIFOLD PLATE
3	10-28634		1	SCREW, FILLER - HYDRAULIC PUMP
4	12-20260		1	WASHER, SEALING - HYDRAULIC PUMP FILLER SCREW
5	10-38257		1	SCREW, VENT - HYDRAULIC PUMP
7	32979		1	BATTERY LEAD (POSITIVE)
8	32988		1	BATTERY LEAD (NEGATIVE)
9	45336		1	PLATE, MANIFOLD
10	45197A2		1	CONTROL VALVE ASSEMBLY
	25-21720		4	"O" RING, PUMP TO MANIFOLD PLATE (SEE REFERENCE #2)
11	25-45254		1	"O" RING, CONTROL VALVE TO MANIFOLD PLATE (3/4" O.D.)
12	25-21720		1	"O" RING, CONTROL VALVE TO MANIFOLD PLATE (1/2" O.D.)
13	25-45253		2	"O" RING, CONTROL VALVE TO MANIFOLD PLATE (5/8" O.D.)
14	10-56500		4	SCREW, VALVE AND MANIFOLD PLATE TO PUMP (1 1/4")
15	13-26992		4	LOCKWASHER, CONTROL VALVE AND MANIFOLD PLATE SCREW
17	22-46008		2	PLUG, CONTROL VALVE (1/2-20")
18	84-74023		1	CONNECTOR AND HARNESS
22	45377		2	BRACKET, MOUNTING - HYDRAULIC PUMP TO BOAT
23	10-24234		4	SCREW, MOUNTING BRACKET TO HYDRAULIC PUMP (1")
24	13-39107		4	LOCKWASHER, MOUNTING BRACKET SCREW
25	11-21908		4	NUT, MOUNTING BRACKET SCREW
26	10-68298		2	BOLT, HYDRAULIC PUMP TO BOAT (3 1/4")
27	11-68411		2	NUT, HYDRAULIC PUMP BOLT
28	89-68258		2	STARTER SOLENOID
29	13-26996		4	LOCKWASHER, STARTER SOLENOID TERMINAL (#10)
30	11-68219		4	NUT, STARTER SOLENOID TERMINAL (#10)
31	13-26993		4	LOCKWASHER, STARTER SOLENOID TERMINAL (5/16")
32	11-68292		4	NUT, STARTER SOLENOID TERMINAL (5/16")
33	46265		4	BOOT, RUBBER - STARTER SOLENOID TERMINAL
34	74407		1	BRACKET, MOUNTING - STARTER SOLENOID
35	10-21140		2	SCREW, MOUNTING BRACKET TO HYDRAULIC PUMP (1/2")
36	13-26992		2	LOCKWASHER, MOUNTING BRACKET SCREW
37	11-24656		1	NUT, MOUNTING BRACKET TO HYDRAULIC PUMP THRU BOLT
38	26901		1	BUMPER, RUBBER - SOLENOID BRACKET
39	55991		1	BATTERY LEAD (POSITIVE)
	55992		1	BATTERY LEAD (NEGATIVE)
40	74406		1	BRACKET, MOUNTING - STARTER SOLENOID

CONTINUED ON NEXT PAGE ➡

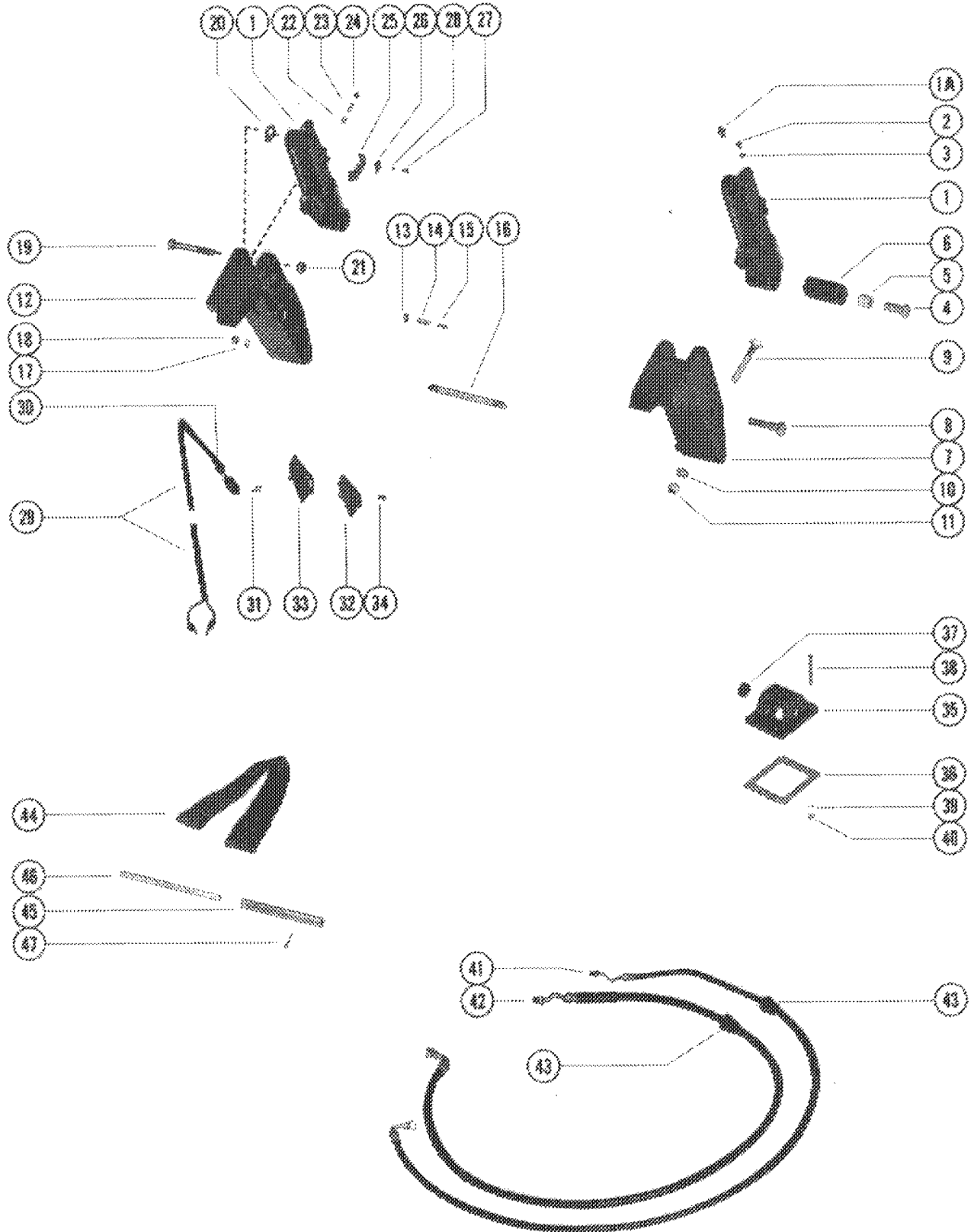
HYDRAULIC PUMP AND CONTROL VALVE



HYDRAULIC PUMP AND CONTROL VALVE

REF. NO.	PART NO.	SYM.	QTY.	DESCRIPTION
41	10-69028		2	SCREW, MOUNTING BRACKET TO HYDRAULIC PUMP (3/4")
42	13-26992		2	LOCKWASHER, MOUNTING BRACKET SCREW
43	10-34290		2	SCREW, STARTER SOLENOID TO MOUNTING BRACKET (5/8")
44	13-26992		2	LOCKWASHER, STARTER SOLENOID SCREW
45	11-21825		4	NUT, STARTER SOLENOID SCREW

TRIM CYLINDERS AND HYDRAULIC HOSES

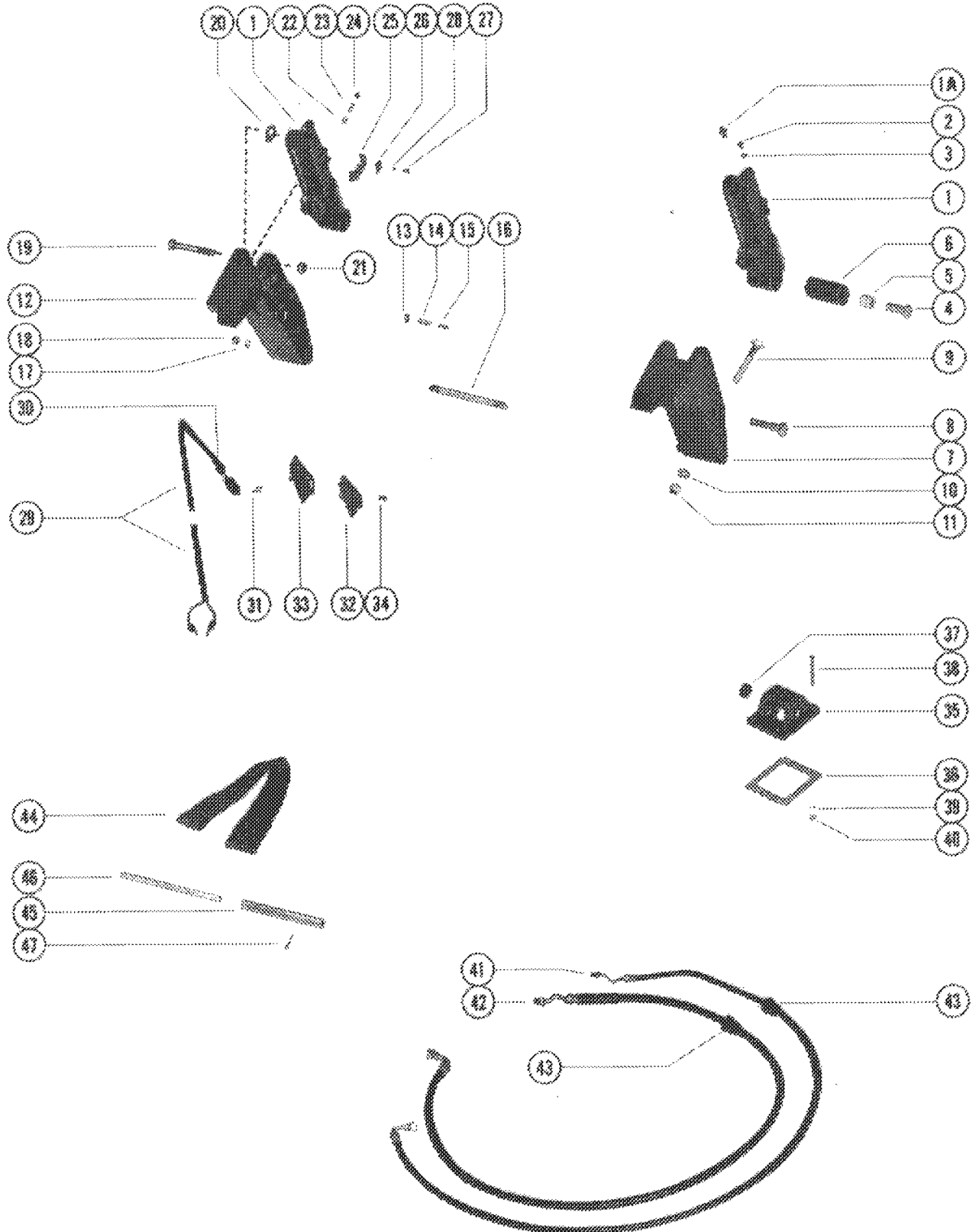


TRIM CYLINDERS AND HYDRAULIC HOSES

REF. NO.	PART NO.	SYM.	QTY.	DESCRIPTION
1	76509A3		2	TRIM CYLINDER ASSEMBLY (SEE D7 FOR REPAIR KIT)
1A	22-74036		2	GREASE FITTING
2	10-45265		4	SCREW, BLEED - SHOCK CYLINDER
3	25-45016		4	"O" RING, SHOCK CYLINDER BLEED SCREW
4	10-45264		2	SCREW, SHOCK CYLINDER TO LOWER SHOCK PIN (1 9/16")
5	23-45280		2	SPACER, SHOCK CYLINDER - LOWER
6	23-45281		2	BUSHING, RUBBER - SHOCK CYLINDER
7	66084		1	BRACKET, MOUNTING - SHOCK CYLINDER (PORT)
8	10-45263		2	SCREW, MOUNTING BRACKET TO UPPER SHOCK PIN (2 1/4")
9	10-68298		4	BOLT, MOUNTING BRACKET TO BOAT TRANSOM (3 1/4")
10	12-68410		4	WASHER, MOUNTING BRACKET BOLT
11	11-68411		4	NUT, MOUNTING BRACKET BOLT
12	45196A2		1	BRACKET ASSEMBLY, MOUNTING - SHOCK CYLINDER (STARBOARD)
13	26-70608		1	OIL SEAL, STARBOARD MOUNTING BRACKET
14	45286		1	PLUNGER, LIMIT SWITCH ACTUATING
15	24-45272		1	SPRING, TENSION - LIMIT SWITCH PLUNGER
16	16-45282		1	STUD, MOUNTING BRACKET AND CLAMP BRACKET
17	13-26993		2	LOCKWASHER, MOUNTING BRACKET TO CLAMP BRACKET STUD
18	11-28770		2	NUT, MOUNTING BRACKET TO CLAMP BRACKET STUD
19	10-45328		2	SCREW, SHOCK CYLINDER TO MOUNTING BRACKET (3 9/16")
20	12-37807		1	WASHER, SHOCK CYLINDER SCREW (STARBOARD ONLY)
21	11-20696		2	NUT, SHOCK CYLINDER SCREW
22	24-24390		1	SPRING, TENSION - ADJUSTING STUD
23	16-21085		1	STUD, ADJUSTING - CUT-OUT LIMIT SWITCH (15/16")
24	11-45812		1	NUT, JAM - LIMIT SWITCH ADJUSTING STUD
25	45508		1	CAM, LIMIT SWITCH ADJUSTING STUD
26	45509		1	PLATE, RETAINING - LIMIT SWITCH CAM
27	10-68513		1	SCREW, RETAINING PLATE AND CAM TO SHOCK CYLINDER (3/8")
28	13-26996		1	LOCKWASHER, RETAINING PLATE AND CAM SCREW
29	45326A2		1	SWITCH ASSEMBLY, CUT-OUT LIMIT
30	23-45354		1	BUSHING, RUBBER - CUT-OUT LIMIT SWITCH
31	10-47255		2	SCREW, CUT-OUT LIMIT SWITCH TO MOUNTING BRACKET (9/16")
32	45287		1	COVER, LIMIT SWITCH
33	27-45275		1	GASKET, LIMIT SWITCH COVER
34	10-24942		5	SCREW, LIMIT SWITCH COVER TO MOUNTING BRACKET (7/16")
35	45289		1	COVER, INLET - TRANSOM
36	27-45274		1	GASKET, INLET COVER
37	25-45507		1	GROMMET, RUBBER - INLET COVER
38	10-32866		4	SCREW, INLET COVER TO BOAT (2")

CONTINUED ON NEXT PAGE ➡

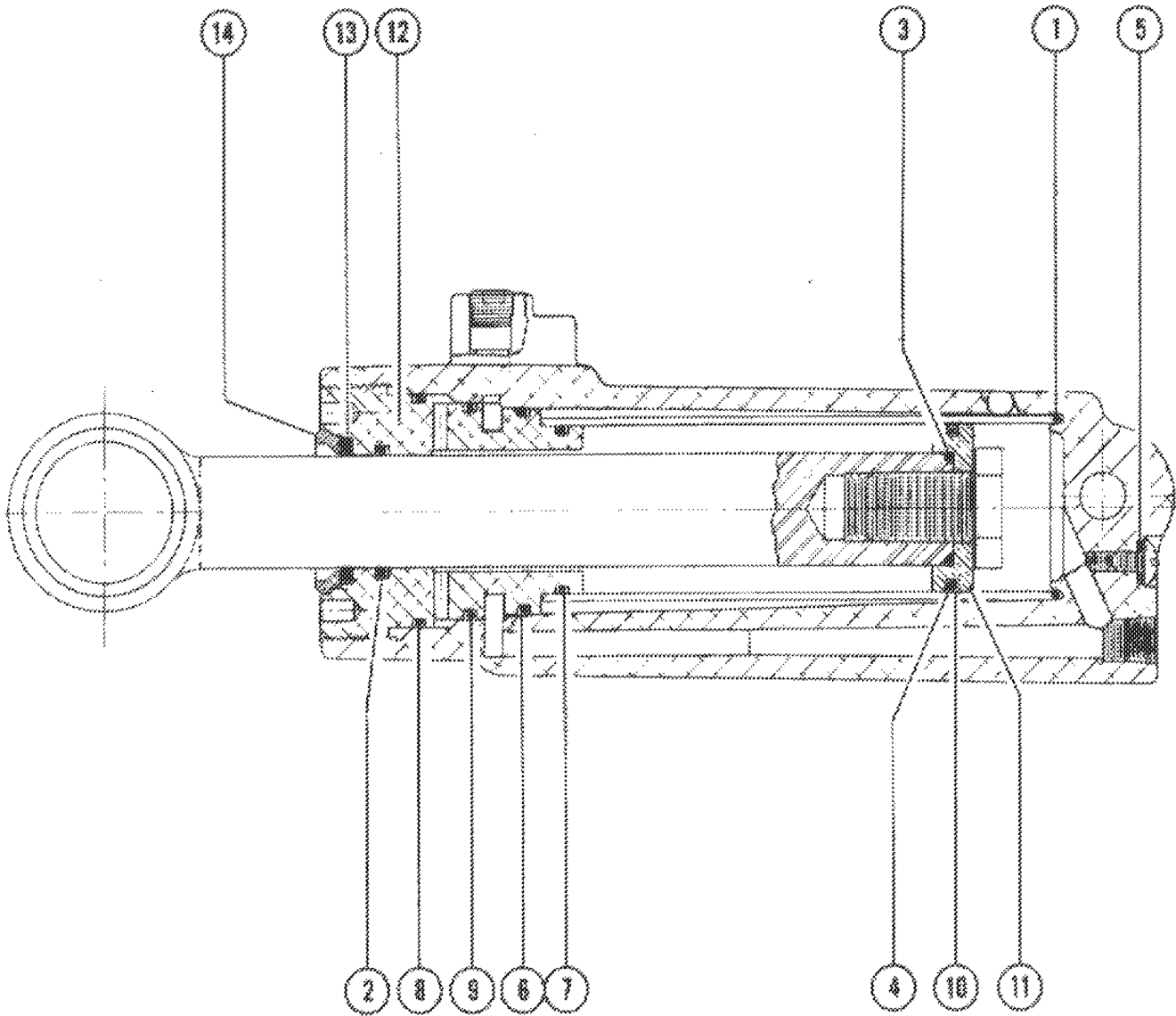
TRIM CYLINDERS AND HYDRAULIC HOSES



TRIM CYLINDERS AND HYDRAULIC HOSES

REF. NO.	PART NO.	SYM.	QTY.	DESCRIPTION
39	12-20878		4	WASHER, INLET COVER SCREW
40	11-29488		4	NUT, INLET COVER SCREW
41	32-45327		2	HOSE, TRIM - CYLINDER TO CONTROL VALVE (5') - 13/32" O.D.
42	32-45959		2	HOSE, LIFT - CYLINDER TO CONTROL VALVE (5') - 17/32" O.D.
43	23-35977		4	GROMMET, RUBBER - LIFT HOSE AND TRIM HOSE
44	73519A1		1	TILT STOP
45	69259		1	TUBE, MOUNTING - TILT STOP
46	77669		1	PIN, MOUNTING TUBE
47	18-36391		1	COTTER PIN, MOUNTING TUBE PIN

POWER TRIM CYLINDER REPAIR KITS



POWER TRIM CYLINDER REPAIR KITS

REF. NO.	PART NO.	SYM.	QTY.	DESCRIPTION
-	64507A1		1	REPAIR KIT
1	N.S.S.		1	"O" RING (1 1/2" X 1 5/8" X 1/16")
2	N.S.S.		1	"O" RING (3/4" X 15/16" X 1/8")
3	N.S.S.		1	"O" RING (5/8" X 3/4" X 1/16")
4	N.S.S.		1	"O" RING (1 1/4" X 1 7/16" X 1/16")
5	N.S.S.		2	"O" RING (7/32" X 11/32" X 1/16")
6	N.S.S.		1	"O" RING (1 5/8" X 1 13/16" X 1/8")
7	N.S.S.		1	"O" RING (1 5/16" X 1 1/2" X 1/8")
8	N.S.S.		1	"O" RING (1 7/8" X 2" X 1/8")
9	N.S.S.		1	"O" RING (1 3/4" X 1 15/16" X 1/8")
10	N.S.S.		1	SEAL, SLIPPER - PISTON
11	N.S.S.		1	PISTON, ROD - HEAVY DUTY
12	64505A1		1	RETAINER ASSEMBLY, PISTON
13	N.S.S.		1	ROD, SCRAPER
14	N.S.S.		1	RETAINER, SCRAPER

PARTS INDEX

Part Number	Description	Pg.	Ref. No.	Part Number	Description	Pg.	Ref. No.
20121	CONNECTOR, SPARK PLUG LEAD	9	26	37587	SWIVEL, LOWER - THROTTLE CONTROL LEVER TO THROTTLE CABLE	13	22
20140	BELT, TIMING	15	57	37637	BOOT, FUEL CONNECTOR - BOTTOM COWL	33	9
22833	ADAPTOR, CHECK UNIT (FUEL LINE)	23	33	37639	MOUNT, RUBBER - TOP COWL FRAME	3	18
23004	RETAINER, CHECK VALVE	23	9	37640	MOUNT, RUBBER FRONT SUPPORT BRACKET	3	34
23069	STEM, CHECK UNIT ADAPTOR	23	34	37641	SEAL, EXHAUST ELBOW	47	37
25067	BUMPER, RUBBER - LOWER MOUNTING SCREW	43	28	37896	GUIDE BLOCK, LINK ROD	33	32
26113	RACE, OUTER (PAIR)	29	10	37918	SEAL, EXHASUT EXTENSION PLATE	35	3
26901	BUMPER, RUBBER - SOLENOID BRACKET	53	38	37940	PAD, SOUND - DRIP TRAY	33	3
26901	BUMPER, RUBBER - STARTER SOLENOID	17	31	38032	STRIP, RETAINING - EXHAUST EXTENSION PLATE SEAL	35	4
27947	SWIVEL, LINKAGE - ECONOMIZER COLLAR	13	9	38051	PLATE, SUPPORT - EXHAUST TUBE SEAL	47	38
27948	SWIVEL, UPPER LINK ROD TO THROTTLE CONTROL LEVER	13	13	38279	LATCH, CONTROL CABLE FASTENING - ANCHOR BRACKET	33	34
28203	BUMPER, STEERING ARM	37	17	38674	BAG, STARTER ROPE	5	8
28205	STRAP STOP, DRIVE SHAFT HOUSING TO SWIVEL BRACKET	37	11	39019	SPACER, LOWER - REVERSE LOCKING	47	45
29787	HUB, FLYWHEEL PULLEY	7	10	39021	CAM, REVERSE LOCKING	47	46
29788	FLANGE, FLYWHEEL PULLEY	7	8	39519	CAP, BARREL RETAINER - ANCHOR BRACKET	33	25
29906A1	DRIVEN PULLEY ASSEMBLY	15	52	39616	BOOT, CONTROL CABLES - BOTTOM COWL	33	6
29907	FLANGE, DRIVEN PULLEY	15	54	39618	LEVER, NYLON - SHIFT CABLE LOCKING	33	26
30188	CUP WASHER, ADAPTOR	23	37	39667	COVER, NYLON - SHIFT CABLE	33	28
30306	PULLEY, FLYWHEEL	7	9	45196A2	BRACKET ASSEMBLY, MOUNTING - SHOCK CYLINDER (STARBOARD)	57	12
30413	HOOK, COWL LATCH FASTENING	5	13	45197A2	CONTROL VALVE ASSEMBLY	53	10
30624	SLIDE, CROSS PIN	49	51	45286	PLUNGER, LIMIT SWITCH ACTUATING	57	14
30625	FOLLOWER, CAM	49	50	45287	COVER, LIMIT SWITCH	57	32
31014	MOUNT, RUBBER - REAR SUPPORT BRACKET	3	21	45289	COVER, INLET - TRANSOM SWITCH ASSEMBLY, CUT-OUT LIMIT	57	29
31089	STRIP, SOUND ABSORBING	5	7	45326A2	PLATE, MANIFOLD	53	9
31640A1	TRIM TAB, GEAR HOUSING	49	70	45336	BRACKET, MOUNTING - HYDRAULIC PUMP TO BOAT	53	22
32197	STOP, SPARK ADVANCE - DISTRIBUTOR HOUSING	13	2	45377	SPACER, RUBBER - HIGH TENSION LEADS	9	34
32435	PLATE, FACE - WATER PUMP BASE TO WATER PUMP BODY	45	21	45409	BRACKET, FRONT - WIRE RETAINER	9	31
32979	BATTERY LEAD (POSITIVE)	53	7	45409	WIRE RETAINER, HIGH TENSION LEADS	9	30
32988	BATTERY LEAD (NEGATIVE)	53	8	45508	CAM, LIMIT SWITCH ADJUSTING STUD	57	25
35474	COVER, LOWER MOUNT CLAMP	43	37	45509	PLATE, RETAINING - LIMIT SWITCH CAM	57	26
35496	PAD, BUMPER - TOP COWL RETAINER	3	3				
35608	CLAMP, LOWER MOUNT TO DRIVE SHAFT HOUSING	43	34				
35769	SEAL, SOUND ABSORBING - UPPER	5	9				
37417	COVER, TRIM - DRIVE SHAFT HOUSING	43	5				
37440	BRACKET, MOUNT SUPPORT - CYLINDER BLOCK	27	28				

PARTS INDEX

Part Number	Description	Pg.	Ref. No.	Part Number	Description	Pg.	Ref. No.
45559	TERMINAL BLOCK, STATOR LEADS	17	13	52889	NOZZLE, TELL TALE HOSE TO BOTTOM COWL	33	14
46096	MOUNT, RUBBER - TOP COWL FRAME (HEAVY DUTY)	3	18	53078	CAP, PLASTIC - TILT TUBE	39	7
46265	BOOT, RUBBER - STARTER SOLENOID TERMINAL	53	33	53334	SEAL, SOUND ABSORBING - TOP	5	10
46265	BOOT, SOLENOID TERMINAL	17	37	53417	GROUND STRAP ASSEMBLY, DISTRIBUTOR TO CRANKCASE	9	5
46785A1	COWL LATCH ASSEMBLY	5	12	53665	INSERT, THROTTLE COUPLING	19	12
46933A2	GROUND STRAP ASSEMBLY, TRIM COVER SCREW	43	6B	53720A2	THROTTLE PICK-UP BRACKET ASSEMBLY	19	10
46933A3	GROUND STRAP ASSEMBLY, EXHAUST COVER	27	36	54196A6	CARRIER ASSEMBLY, "O" RING	29	5
47341A1	ROPE, STARTER (FOR MANUAL STARTING ONLY)	3	9	54283A1	PLUNGER AND LINK ASSEMBLY, CHOKE SOLENOID	19	6
47398	BRACKET, REAR - WIRE RETAINER	9	32	54293A4	CHOKE SOLENOID	19	1
47559	YOKE, PUSH ROD NOT USED WITH FULL POWER	43	17	54346	CAM, SHIFT - SERIAL GROUP #1	49	49
47591	ROD, PUSH - REVERSE LOCK NOT USED WITH FULL POWER	43	15	54567	CAP, DISTRIBUTOR HOUSING	15	50
47802	TUBE, TILT LOCK	39	23	54651	CABLE, WIRE - STARTER MOTOR TO FRONT SUPPORT BRACKET	17	20
48047A1	LINK ROD ASSEMBLY	33	20	54942	SCREEN, COWL (LOWER)	5	--
48152	SHUTTER, CHOKE - CARBURETOR	19	25	54943	SCREEN, COWL (UPPER)	5	--
48203	ROD, CHOKE	19	22	55455	HOOK, TOP COWL LATCH - REAR	3	13
48671	PLATE, THROTTLE ACTUATOR	13	28	55804A1	ECONOMIZER COLLAR ASSEMBLY	13	6
48692	COLLAR, THROTTLE ACTUATOR	13	24	55805	BRACKET, STOP	13	41
48752	INSERT, WATER PUMP BODY	45	24	55991	BATTERY LEAD (POSITIVE)	53	39
49589	STRAP, CHOKE KNOB TO CHOKE ROD	19	19	55992	BATTERY LEAD (NEGATIVE)	53	39
52023	CAP, NYLON - STOP BRACKET ADJUSTING SCREW	15	46	56029	COVER, STARTER MOTOR BRACKET - TOP	25	9
52023	CAP, NYLON - THROTTLE ACTUATOR COLLAR ADJUSTING SCREW	13	27	56349	SHAFT, REVERSE LOCK PIVOT -NOT USED WITH FULL POWER TRIM	41	29
52100	WEAR PLATE, LINK ROD	33	33	56703	COLLAR, RUBBER - STARTER MOTOR MOUNT	17	24
52518	CLUSTER, THROTTLE LEVER (UPPER CARBURETOR)	19	7	56849	KNOB, COWL FRONT COVER FASTENING	5	2
52699	COVER, GEAR HOUSING	49	69	57247	STOP, RUBBER - STARTER MOTOR	17	22
52732	BRACKET, ANCHOR - CONTROL CABLES	33	24	58124A4	SWITCH, MERCURY	25	22
52733A9	RETAINER ASSEMBLY, TOP COWL	3	2	58454	CAM, THROTTLE ACTUATOR PLATE	13	33
52737	LEVER, COWL LATCHHINGE	3	11	58807A1	FLAME ARRESTOR, VENT - DISTRIBUTOR CAP	9	23
52739	HINGE, COWL LATCH - TOP COWL	3	10	58807A1	FLAME ARRESTOR, VENT - DISTRIBUTOR HOUSING	9	7
52862A2	DRIP TRAY SSEMBLY, BOTTOM COWL	33	2	59071	COVER, FUEL INLET	23	12
				60096	BOOT, HIGH TENSION CABLE	9	21
				60096	BOOT, SPARK PLUG LEAD TO DISTRIBUTOR	9	28
				60304A55	SHIFT SHAFT ASSEMBLY, UPPER	33	17
				60437	MEGAPHONE, EXHAUST	35	19

PARTS INDEX

Part Number	Description	Pg.	Ref. No.	Part Number	Description	Pg.	Ref. No.
62301	COVER, TRANSFER PORT (TOP/MIDDLE)	27	30	75043	CAP, THUMB SCREW	39	3
62351A1	RECTIFIER ASSEMBLY	17	38	75282	THRUST HUB AND WASHER ASSEMBLY	49	75
62497	BRACKET, SUPPORT - DRIVE SHAFT	43	40	75297	MOUNT, RUBBER - UPPER	43	20
63194	PAD, RUBBER - IGNITION COIL	11	2	75300	MOUNT, RUBBER - LOWER	43	24
63195	COVER, IGNITION COIL	11	3	75778	PLATE, BAFFLE - EXHAUST MANIFOLD	27	18
63473	TUBE, CUSHION - SHOCK PIN (USED WITH FULL POWER TRIM)	39	20	75971A1	FRAME ASSEMBLY, TOP COWL SUPPORT - SERIAL GROUP #1	3	16
64505A1	RETAINER ASSEMBLY, PISTON	61	12	76039	CAM, SHIFT - SERIAL GROUP #2	49	49
64507A1	REPAIR KIT	61	-	76062A1	SHAFT ASSEMBLY, SHIFT - LOWER	47	39
64954	BRACKET, TOP COWL SUPPORT - REAR	3	20	76367	POINTER, TIMING	27	33
65370	TUBE, EXHAUST	43	8	76369	SPACER, BOTTOM COWL (COWL FRONT COVER)	33	7
65638	BOOT, TUBE MOUNT	43	8A	76370	SHIELD, TOP COWL - REAR	3	6
65799	LINK, LOCKING LEVER TO COVER	33	29	76385	TILT LOCK ASSEMBLY (PORT)	39	22
65800	"O" RING, CARRIER	29	6	76386	TILT LOCK ASSEMBLY (STARBOARD)	39	21
66084	BRACKET, MOUNTING - SHOCK CYLINDER (PORT)	57	7	76395A5	HYDRAULIC PUMP ASSEMBLY (SEE NOTE BELOW)	53	1
66094	COVER, TRANSFER PORT (BOTTOM)	27	30	76395A5	HYDRAULIC PUMP ASSEMBLY, COMPLETE	51	-
66096A1	PLATE ASSEMBLY, EXHAUST EXTENSION	35	1	76509A3	TRIM CYLINDER ASSEMBLY (SEE D7 FOR REPAIR KIT)	57	1
66165A2	ADAPTOR ASSEMBLY, DISTRIBUTOR	13	35	76867	COVER, STARTER MOTOR BRACKET - BOTTOM	25	13
66517	RESTRICION, CRANKCASE BLEED	25	3	77103A3	BRACKET ASSEMBLY, TOP COWL - FRONT	3	29
66530A2	FUEL PUMP ASSEMBLY	23	1	77669	PIN, MOUNTING TUBE	59	46
66599A1	DIAPHRAGM ASSEMBLY	23	3	78992	LEVER, THROTTLE CONTROL	13	14
67469	ROD, LINK - UPPER	13	12A	79019	COVER, EXHAUST MANIFOLD	27	20
69190	PLATE, COIL MOUNTING	11	10	86922A1	FRAME ASSEMBLY, TOP COWL SUPPORT - SERIAL GROUP #2	3	16
69205	"D" WASHER, CLIP FASTENING SCREW	7	15	N.S.S.	"O" RING (1 1/2" X 1 5/8" X 1/16")	61	1
69205	"D" WASHER, FUEL LINE CLIP SCREW	23	28	N.S.S.	"O" RING (1 1/4" X 1 7/16" X 1/16")	61	4
69205	"D" WASHER, WIRING HARNESS CLIP SCREW	17	12	N.S.S.	"O" RING (1 3/4" X 1 15/16" X 1/8")	61	9
69259	TUBE, MOUNTING - TILT STOP	59	45	N.S.S.	"O" RING (1 5/16" X 1 1/2" X 1/8")	61	7
70692	REVERSE LOCK ASSEMBLY NOT USED WITH FULL POWER TRIM	39	27	N.S.S.	"O" RING (1 5/8" X 1 13/16" X 1/8")	61	6
71808	COVER, WATER JACKET - CYLINDER BLOCK	27	13	N.S.S.	"O" RING (1 7/8" X 2" X 1/8")	61	8
73519A1	TILT STOP	59	44	N.S.S.	"O" RING (3/4" X 15/16" X 1/8")	61	2
73755A1	KNOB, CHOKE ROD	19	17	N.S.S.	"O" RING (5/8" X 3/4" X 1/16")	61	3
73800A1	BEARING CARRIER ASSEMBLY	49	64	N.S.S.	"O" RING (7/32" X 11/32" X 1/16")	61	5
73984	YOKE, BOTTOM	37	15	N.S.S.	PISTON, ROD - HEAVY DUTY	61	11
74257A3	PLATE ASSEMBLY, DRIVE SHAFT HOUSING	35	15	N.S.S.	RETAINER, SCRAPER	61	14
74406	BRACKET, MOUNTING - STARTER SOLENOID	53	40				
74407	BRACKET, MOUNTING - STARTER SOLENOID	53	34				

PARTS INDEX

Part Number	Description	Pg.	Ref. No.	Part Number	Description	Pg.	Ref. No.
N.S.S.	ROD, SCRAPER	61	13	10-32293	SCREW, CRANKCASE TO		
N.S.S.	SEAL, SLIPPER - PISTON ..	61	10		CYLINDER BLOCK (1 3/4")	25	17
10-20037	SCREW, RETAINER TO			10-32417	SCREW, FLEXIBLE PLATE		
	FUEL PUMP (1/4")	23	10		TO FLYWHEEL (5/8")	7	5
10-20359	SCREW, CENTER MAIN			10-32866	SCREW, INLET COVER TO		
	BEARING LOCKING	25	20		BOAT (2")	57	38
10-20411	SCREW, VALVE BODY TO			10-34290	SCREW, STARTER		
	RESERVOIR	51	4		SOLENOID TO MOUNTING		
10-20847	SCREW, CLUSTER TO				BRACKET (5/8")	55	43
	THROTTLE LEVER	19	8	10-37370	SCREW, COVER TO FUEL		
10-20847	SCREW, THROTTLE STOP				PUMP (5/8")	23	13
	LEVER	21	18	10-37370	SCREW, SHIELD TO TOP		
10-21140	SCREW, MOUNTING				COWL (5/8")	3	7
	BRACKET TO HYDRAULIC			10-37558	SCREW, RETAINER TO TOP		
	PUMP (1/2")	53	35		COWL (1 1/4")	3	4
10-21937	SCREW, LOWER SHOCK PIN	41	32	10-37559	SCREW, THROTTLE LEVER		
10-22523	SCREW, LOWER				TO EXHAUST COVER (1		
	CARBURETOR FILTER				3/4")	13	18
	SCREEN TO CARB. (5/8")	19	29	10-37562	SCREW, REAR BRACKET TO		
10-22956	SCREW, REAR HOOK TO				BOTTOM COWL (1")	3	27
	TOP COWL (7/8")	3	14	10-37562	SCREW, REAR BRACKET TO		
10-22968	SCREW, CENTER MAIN				FRAME (1")	3	24
	BEARING CLAMPING	29	13	10-37571	SCREW, SEAL AND		
10-23015	SCREW, UPPER				RETAINING STRIP TO		
	CARBURETOR FILTER				EXT. PLATE (1/2")	35	5
	SCREEN TO CARB. (1") ..	19	29	10-37656	SCREW, RECTIFIER TO		
10-24234	SCREW, ANCHOR BRACKET				FRONT BRACKET (5/8") ..	17	39
	TO CYLINDER BLOCK (1")	33	30	10-37892	SCREW, THROTTLE		
10-24234	SCREW, BRACKET TO				ACTUATOR PLATE TO		
	CYLINDER BLOCK (1") ..	27	29		ECONOMIZER COLLAR		
10-24234	SCREW, MOUNTING				(1")	13	29
	BRACKET TO HYDRAULIC			10-38257	SCREW, VENT - HYDRAULIC		
	PUMP (1")	53	23		PUMP	51	7
10-24942	SCREW, LIMIT SWITCH			10-38257	SCREW, VENT - HYDRAULIC		
	COVER TO MOUNTING				PUMP	53	5
	BRACKET (7/16")	57	34	10-38601	SCREW, SOLENOID TO		
10-25299	SCREW, CHOKE SOLENOID				BOTTOM COWL (5/8") . . .	17	29
	(3/4")	19	4	10-45263	SCREW, MOUNTING		
10-28634	SCREW, FILLER -				BRACKET TO UPPER		
	HYDRAULIC PUMP	51	8	10-45264	SHOCK PIN (2 1/4")	57	8
10-28634	SCREW, FILLER -				SCREW, SHOCK CYLINDER		
	HYDRAULIC PUMP	53	3		TO LOWER SHOCK PIN (1		
10-28636	SCREW, DISTRIBUTOR			10-45265	9/16")	57	4
	ADAPTOR TO STOP				SCREW, BLEED - SHOCK		
	BRACKET (3/4"0	13	42	10-45328	CYLINDER	57	2
10-28636	SCREW, TIMING POINTER				SCREW, SHOCK CYLINDER		
	ATTACHING (3/4")	27	34		TO MOUNTING BRACKET		
10-28636	SCREW, TRANSFER PORT			10-45775	(3 9/16")	57	19
	COVER MOUNTING (3/4")	27	32		SCREW, MAIN BEARING		
10-29256	SCREW, LOWER MOUNT				CLAMPING	29	17
	CLAMP TO DRIVE SHAFT			10-47255	SCREW, CUT-OUT LIMIT		
	HOUSING	43	36		SWITCH TO MOUNTING		
10-29362	SCREW, DISTRIBUTOR				BRACKET (9/16")	57	31
	HOUSING TO			10-47828	SCREW, DRIVE - SWIVEL		
	CRANKCASE (1 1/2")	13	37		BRACKET	37	6
10-29722	SCREW, COVER TO LOWER			10-48408	SCREW, DRIP TRAY TO		
	CLAMP MOUNT	43	39		BOTTOM COWL (1/2"0 . . .	33	4
10-29794	SCREW, SWITCH BOX (3/8")	17	17	10-48408	SCREW, TELL TALE NOZZLE		
					TO BOTTOM COWL (1/2")	33	15

PARTS INDEX

Part Number	Description	Pg.	Ref. No.	Part Number	Description	Pg.	Ref. No.
10-48591	SCREW, SPACER TO BOTTOM COWL (1/2") . . .	33	8	10-64279	SCREW, SWITCH BOX TO FRONT MOUNTING BRACKET (3/4")	17	18
10-48591	SCREW, STRAP TO CHOKE ROD (1/2")	19	23	10-65210	SCREW, GEAR HOUSING TO DRIVE SHAFT HOUSING (1")	49	74
10-48675	SCREW, ADJUSTING - THROTTLE ACTUATOR COLLAR (1 1/2")	13	25	10-65774	SCREW, DISTRIBUTOR CAP CLAMP (1 1/8")	9	16
10-49318	SCREW, LOWER MOUNT (5 1/2")	43	25	10-66023	SCREW, ADAPTOR PLATE TO HOUSING PLATE (2") .	35	8
10-49554	BOLT, STEERING ARM TO UPPER MOUNT (5 7/8") . .	37	18	10-66023	SCREW, HOUSING PLATE TO DRIVE SHAFT HSG. (2")	35	10
10-52195	SCREW, FLOAT BOWL COVER	21	13	10-66024	SCREW, TRIM TAB TO GEAR HOUSING (1 3/4") .	49	71
10-53167	SCREW, WATER JACKET COVER TO CYLINDER BLOCK (7/8")	27	15	10-66104	SCREW, THROTTLE BRACKET MOUNTING . . .	19	11
10-53576	SCREW, MANIFOLD COVER MOUNTING	27	21	10-68298	BOLT, CLAMP BRACKET TO BOAT TRANSOM (LOWER)	39	13
10-54803	SCREW, CONNECTING ROD	29	28	10-68298	BOLT, HYDRAULIC PUMP TO BOAT (3 1/4")	53	26
10-55511	SCREW, FRONT BRACKET TO TOP COWL FRAME (1 1/2")	3	32	10-68298	BOLT, MOUNTING BRACKET TO BOAT TRANSOM (3 1/4")	57	9
10-56500	SCREW, VALVE AND MANIFOLD PLATE TO PUMP (1 1/4")	53	14	10-68299	BOLT, CLAMP BRACKET TO BOAT TRANSOM (UPPER)	39	13
10-56743	SCREW, STRAP STOP TO DRIVE SHAFT HOUSING (3 1/8")	37	12	10-68513	SCREW, RETAINING PLATE AND CAM TO SHOCK CYLINDER (3/8")	57	27
10-57807	SCREW, TRIM COVER TO BOTTOM COWL	43	6	10-68554	SCREW, PULLEY CLAMPING	15	56
10-57841	SCREW, CRANKCASE TO CYLINDER BLOCK (2 3/4")	25	17	10-68997	SCREW, PLATE/HUB TO FLEX. PLATE (7/8")	7	6
10-60480	SCREW, MEGAPHONE TO DRIVE SHAFT HOUSING PLATE (1 1/8")	35	20	10-69020	SCREW, WIRING HARNESS CLAMP TO BOTTOM COWL (7/8")	17	4
10-62204	SCREW, REED STOP MOUNTING	29	21	10-69028	SCREW, MOUNTING BRACKET TO HYDRAULIC PUMP (3/4")	55	41
10-62568	SCREW, FRONT AND REAR BRACKET ATTACHING . .	9	33	10-69029	SCREW, ADAPTOR TO BOTTOM COWL (1 3/4") . .	23	38
10-62568	SCREW, FUEL LINE CLIP (3/8")	23	27	10-69029	SCREW, SUPPORT TO BOTTOM COWL (1 3/4") . .	33	11
10-62568	SCREW, GROUND STRAP ATTACHING	43	6C	10-69034	SCREW, END CAP MOUNTING	27	6
10-62568	SCREW, GROUND STRAP ATTACHING (3/8")	9	6	10-69034	SCREW, END CAP MOUNTING (1")	27	12
10-62568	SCREW, GROUND STRAP ATTACHING (3/8")	27	37	10-69035	SCREW, WIRE CABLE TO STARTER MOTOR	17	21
10-62568	SCREW, IGNITION COIL WIRE TO SWITCH BOX (3/8")	11	9	10-69046	SCREW, COIL TO CYLINDER BLOCK (2")	11	4
10-62568	SCREW, MERCURY SWITCH LEAD	25	24	10-69052	SCREW, GROUND WIRE TO BOTTOM COWL	17	8
10-62568	SCREW, STATOR LEAD CLIP FASTENING (3/8")	7	14	10-69092	SCREW, FRONT BRACKET TO BOTOM COWL (1 1/4")	3	30
10-62568	SCREW, STATOR LEADS TO TERMINAL BLOCK (3/8") .	17	14	10-69100	SCREW, COVER MOUNTING (1")	27	25
10-62568	SCREW, WIRING HARNESS TO FRONT BRACKET (3/8")	17	11	10-69100	SCREW, TRANSFER PORT COVER MOUNTING (1") . .	27	32

PARTS INDEX

Part Number	Description	Pg.	Ref. No.	Part Number	Description	Pg.	Ref. No.
10-69267	SCREW, TOP COVER ATTACHING (1 3/4")	25	10	11-34932	NUT, POWERHEAD STUD	35	23
10-69268	SCREW, BOTTOM COVER ATTACHING (1 7/8")	25	14	11-34933	NUT, GEAR HOUSING AND DRIVE SHAFT HOUSING STUDS	43	30
10-69375	SCREW, UPPER AND LOWER SHOCK MOUNTING PIN	41	41	11-34933	NUT, GEAR HOUSING TO DRIVE SHAFT HOUSING STUDS	49	73
10-69762	SCREW, TOP COVER ATTACHING (1 3/8")	25	10	11-34933	NUT, STEERING ARM BOLT FASTENING	37	19
10-73657	SCREW, CRANKCASE TO CYLINDER BLOCK (1 1/2")	25	17	11-34933	NUT, UPPER MOUNT BOLT	43	23
10-75840	SCREW, STATOR TO UPPER END CAP (7/8")	7	12	11-35521	NUT, LOWER MOUNT CLAMP COVER	43	38
10-76196	SCREW, STRAP TO CHOKE KNOB (5/8")	19	20	11-35814	NUT, WATER PUMP BODY FASTENING STUD	45	34
10-78492A1	THUMB SCREW ASSEMBLY	39	2	11-35888	NUT, RUBBER MOUNT TO TOP COWL FRAME	3	19
10-78495	SCREW, WASHER ATTACHING	39	2A	11-35888	NUT, THROTTLE CABLE TO LOWER SWIVEL	13	23
10-79953	SCREW, GREASE FILLER AND VENT HOLE	47	47	11-35888	NUT, UPPER LINK ROD THROTTLE CONTROL LEVER	13	17
11-20110	NUT, CARBURETOR FILTER SCREEN FASTENING SCREW	19	31	11-35888	NUT, WATER PUMP FASTENING SCREW	45	32
11-20110	NUT, CHOKE SHUTTER TO CARBURETOR STUD	19	27	11-35921	NUT, PINION GEAR TO DRIVE SHAFT	45	10
11-20509	NUT, THROTTLE CONTROL LEVER SCREW	13	21	11-36069	NUT, LINK ROD	33	22
11-20696	NUT, SHOCK CYLINDER SCREW	57	21	11-45076	NUT, IGNITION COIL TERMINAL (#10)	11	7
11-21825	NUT, STARTER SOLENOID SCREW	55	45	11-45076	NUT, STATOR LEADS TO RECTIFIER	17	42
11-21908	NUT, MOUNTING BRACKET SCREW	53	25	11-45076	NUT, SWITCH BOX TERMINAL	17	16
11-24656	NUT, MOUNTING BRACKET TO HYDRAULIC PUMP THRU BOLT	53	37	11-45774	NUT, MAIN BEARING CLAMPING SCREW	29	18
11-25096	NUT, LOWER MOUNT SCREW	43	27	11-45812	NUT, JAM - LIMIT SWITCH ADJUSTING STUD	57	24
11-25269	NUT, STRAP STOP FASTENING SCREW	37	13	11-46438	NUT, STRAP TO CHOKE ROD SCREW	19	24
11-26768	NUT, DISTRIBUTOR CAP CLAMP SCREW	9	17	11-46887	NUT, BEARING CLAMPING SCREW	29	14
11-28770	NUT, CLAMP BRACKET STUD	39	11	11-46887	NUT, CHOKE ROD SPRING TO CARBURETOR STUD	19	35
11-28770	NUT, MOUNTING BRACKET TO CLAMP BRACKET STUD	57	18	11-46887	NUT, LOWER SHOCK PIN SCREW	41	33
11-28770	NUT, RUBBER MOUNT TO FRONT SUPPORT BRACKET	3	36	11-46887	NUT, SWITCH BOX SCREW	17	19
11-29250	NUT, CRANKCASE TO CYLINDER BLOCK SCREWS (LOWER)	25	19	11-47661	NUT, JAM - PUSH ROD NOT USED WITH FULL POWER	43	16
11-29488	NUT, INLET COVER SCREW	59	40	11-49091	NUT, CONNECTING ROD SCREW	29	29
11-29489	NUT, GEAR HOUSING AND DRIVE SHAFT HOUSING STUDS	43	32	11-52707	NUT, PROPELLER	49	77
11-29598	NUT, RUBBER MOUNT TO REAR SUPPORT BRACKET	3	23	11-52901	NUT, FLYWHEEL (PART OF A-436-6646A2 CRANKSHAFT ASSEMBLY)	7	2
				11-53153	NUT, REED STOP SCREW	29	22
				11-54209	NUT, ROTOR SHAFT TO DISTRIBUTOR HOUSING	9	2
				11-56041	NUT, TILT TUBE FASTENING	39	6
				11-64015	NUT, STARTER MOTOR TERMINAL	17	27

PARTS INDEX

Part Number	Description	Pg.	Ref. No.	Part Number	Description	Pg.	Ref. No.
11-64015	NUT, STOP BRACKET ADJUSTING SCREW	15	45	12-30164	WASHER, WIRING HARNESS CLAMP SCREW	17	6
11-64015	NUT, THROTTLE ACTUATOR COLLAR ADJUSTING SCREW	13	26	12-30771	WASHER, COVER FASTENING KNOB (RUBBER)	5	3
11-64809	NUT, CARBURETOR MOUNTING STUD	21	35	12-31263	WASHER, UPPER MOUNT BOLT	43	22
11-68219	NUT, SOLENOID TERMINAL	19	3	12-35462	WASHER, LINK ROD	33	21
11-68219	NUT, SOLENOID TERMINAL (#10)	17	33	12-35462	WASHER, STOP BRACKET FASTENING SCREW	15	43
11-68219	NUT, STARTER SOLENOID TERMINAL (#10)	53	30	12-35462	WASHER, TIMING POINTER SCREW	27	35
11-68292	NUT, SOLENOID TERMINAL (5/16")	17	36	12-36001	WASHER, WATER PUMP BODY FASTENING STUD	45	33
11-68292	NUT, STARTER SOLENOID TERMINAL (5/16")	53	32	12-37807	WASHER, SHOCK CYLINDER SCREW (STARBOARD ONLY)	57	20
11-68411	NUT, CLAMP BRACKET BOLT	39	15	12-45176	WASHER, GEAR HOUSING TO DRIVE SHAFT HOUSING STUDS	43	31
11-68411	NUT, HYDRAULIC PUMP BOLT	53	27	12-45176	WASHER, GEAR HOUSING TO DRIVE SHAFT HOUSING STUDS	43	33
11-68411	NUT, MOUNTING BRACKET BOLT	57	11	12-45176	WASHER, GEAR HOUSING TO DRIVE SHAFT HOUSING STUDS	49	72
11-69254	NUT, POWERHEAD STUDS (3/8-24)	43	11	12-46246	WASHER, ADAPTOR - DISTRIBUTOR HOUSING .	13	34
12-20084	WASHER, DISTRIBUTOR HOUSING SCREW	13	38	12-47247	WASHER, NEEDLE LOCATING	29	31
12-20260	WASHER, GREASE FILLER AND VENT HOLE SCREW	47	48	12-47840	WASHER, RUBBER - UPPER MOUNT BOLT	43	21
12-20260	WASHER, SEALING - FILLER SCREW	51	9	12-49221	WASHER, FLUSHING PLUG	45	--
12-20260	WASHER, SEALING - HYDRAULIC PUMP FILLER SCREW	53	4	12-49339	WASHER, LOWER MOUNT SCREW	43	26
12-20878	WASHER, INLET COVER SCREW	59	39	12-52864	WASHER, CLAMP BRACKET TILT TUBE	39	5
12-22753	WASHER, CRANKCASE TO CYLINDER BLOCK SCREWS	25	18	12-53540	WASHER, ECONOMIZER COLLAR - DISTRIBUTOR HOUSING	13	5
12-24391	WASHER, STOP BRACKET ADJUSTING SCREW	15	45A	12-59378	WASHER, LOWER BUSHING RETAINER (INNER)	41	39
12-25970	WASHER, POWERHEAD STUD	35	22	12-59572	WASHER, COVER FASTENING KNOB (PLASTIC)	5	4
12-25970	WASHER, POWERHEAD STUDS	43	12	12-68229	WASHER, FLYWHEEL NUT .	7	3
12-27939	WASHER, DISTRIBUTOR HOUSING	15	47	12-68300	WASHER, CLAMP BRACKET BOLT (UPPER)	39	14
12-28196	WASHER, UPPER BUSHING RETAINER (INNER)	41	38	12-68410	WASHER, CLAMP BRACKET BOLT (LOWER)	39	14
12-29245	WASHER, MEGAPHONE SCREW	35	21	12-68410	WASHER, MOUNTING BRACKET BOLT	57	10
12-29245	WASHER, THROTTLE CONTROL LEVER SWIVEL	13	16	12-69342	WASHER, SWIVEL PIN - UPPER	37	4
12-29245	WASHER, WATER PUMP BODY FASTENING SCREW AND STUD	45	31	12-69374	WASHER, UPPER AND LOWER BUSHING RETAINER (OUTER)	41	40
12-29395	WASHER, THROTTLE CONTROL LEVER SCREW	13	19	12-69380	WASHER, SWIVEL PIN - LOWER	37	10
12-30164	WASHER, COIL SCREW . . .	11	5				

PARTS INDEX

Part Number	Description	Pg.	Ref. No.	Part Number	Description	Pg.	Ref. No.
12-71143A1	WASHER, THRUST - BEARING CARRIER TO GEAR HOUSING	49	62	13-26995	LOCKWASHER, FLOAT BOWL COVER SCREW . .	21	15
12-76388	WASHER, TILT LOCK (STARBOARD SIDE ONLY)	39	25B	13-26996	LOCKWASHER, RETAINING PLATE AND CAM SCREW	57	28
12-77674	WASHER, RUBBER - SHIFT SHAFT BUSHING	47	44	13-26996	LOCKWASHER, SOLENOID TERMINAL	19	2
12-78493	WASHER, THUMB SCREW .	39	2B	13-26996	LOCKWASHER, SOLENOID TERMINAL (#10)	17	32
13-26992	LOCKWASHER, CONTROL VALVE AND MANIFOLD PLATE SCREW	53	15	13-26996	LOCKWASHER, STARTER SOLENOID TERMINAL (#10)	53	29
13-26992	LOCKWASHER, FRONT SUPPORT BRACKET SCREW	3	31	13-26996	LOCKWASHER, THROTTLE ACTUATOR PLATE FASTENING SCREW	13	31
13-26992	LOCKWASHER, GROUND WIRE SCREW	17	9	13-26996	LOCKWASHER, THRU BOLT	51	18
13-26992	LOCKWASHER, MOUNTING BRACKET SCREW	53	36	13-26996	LOCKWASHER, WIRING HARNESS CLAMP SCREW	17	5
13-26992	LOCKWASHER, MOUNTING BRACKET SCREW	55	42	13-27959	WASHER, WAVE - DISTRIBUTOR BALL BEARING TENSION	15	49
13-26992	LOCKWASHER, REAR HOOK MOUNTING SCREW	3	15	13-29720	WASHER, WAVE - LINK ROD	33	23
13-26992	LOCKWASHER, RUBBER MOUNT TO REAR SUPPORT BRACKET	3	22	13-37371	LOCKWASHER, SHIELD SCREW	3	8
13-26992	LOCKWASHER, STARTER MOTOR TERMINAL	17	26	13-39107	LOCKWASHER, MOUNTING BRACKET SCREW	53	24
13-26992	LOCKWASHER, STARTER SOLENOID FASTENING SCREW	17	30	13-39107	LOCKWASHER, RETAINER TO TOP COWL SCREW . .	3	5
13-26992	LOCKWASHER, STARTER SOLENOID SCREW	55	44	13-39954	WASHER, WAVE - THROTTLE CONTROL LEVER SWIVEL	13	15
13-26992	LOCKWASHER, WATER PUMP BODY SCREW . . .	45	30	13-69150	WASHER, WAVE - TILT LOCK	39	--
13-26993	LOCKWASHER, BOTTOM COVER SCREW	25	15	13-69150	WASHER, WAVE - TILT LOCK (STARBOARD SIDE ONLY)	39	25
13-26993	LOCKWASHER, CHOKE SOLENOID SCREW	19	5	14-20091	TAB WASHER, BEARING LOCKING SCREW	25	21
13-26993	LOCKWASHER, CLAMP BRACKET STUD	39	10	14-27960	TAB WASHER, ADAPTOR CAP FASTENING	15	48
13-26993	LOCKWASHER, FRON TSUPPORT BRACKET SCREW	3	33	14-31210	TAB WASHER, PROPELLER NUT	49	76
13-26993	LOCKWASHER, MOUNTING BRACKET TO CLAMP BRACKET STUD	57	17	14-52700	TAB WASHER, GEAR HOUSING COVER	49	68
13-26993	LOCKWASHER, REAR BRACKET SCREW	3	26	15-20085A1	SHIM, END CAP TO CRANKCASE (.002-3-5-10)	27	11
13-26993	LOCKWASHER, REAR SUPPORT BRACKET SCREW	3	28	15-21148A1	SHIM, BALL BEARING TO SPACER	9	10
13-26993	LOCKWASHER, RUBBER MOUNT TO FRON TSUPPORT BRACKET . . .	3	35	15-30923A1	SHIM, BEARING OUTER RACE TO HOUSING (.002-3-5-10)	49	53
13-26993	LOCKWASHER, SOLENOID TERMINAL (5/16")	17	35	15-47248A1	SHIM, END CAP TO CRANKCASE (.006-8-10) .	27	5
13-26993	LOCKWASHER, STARTER SOLENOID TERMINAL (5/16")	53	31	15-55853	SHIM, BALL BEARING TO DISTRIBUTOR HOUSING .	9	8
				15-57007A1	SHIM, BALL BEARING TO BASE	45	11
				16-21085	STUD, ADJUSTING - CUT-OUT LIMIT SWITCH (15/16")	57	23

PARTS INDEX

Part Number	Description	Pg.	Ref. No.	Part Number	Description	Pg.	Ref. No.
16-39937	STUD, CHOKE ROD SPRING TO CARBURETOR	19	33	17-47246	DOWEL PIN, STEPPED	29	12
16-45282	STUD, MOUNTING BRACKET AND CLAMP BRACKET . . .	57	16	17-49930A1	TILT LOCK PIN ASSEMBLY (NOT USED WITH FULL POWER TRIM)	39	12
16-56295	STUD, DRIVE SHAFT HOUSING TO GEAR HOUSING (2 11/16")	43	2	17-54944	RIVET, SCREEN ATTACHING	5	--
16-56297	STUD, WATER PUMP BASE AND BODY TO GEAR HOUSING (3 3/8")	45	5	17-58998	PIN, ROLL - COWL LATCH LEVER TO HINGE	3	12
16-57920	STUD, GEAR HOUSING TO DRIVE SHAFT HOUSING (2 1/16")	45	4	17-63779	PIN, DOWEL - CYLINDER BLOCK TO MAIN BEARING	25	7
16-57921	STUD, GEAR HOUSING TO DRIVE SHAFT HOUSING (4'0	45	3	17-73594A1	SWIVEL PIN AND ARM ASSEMBLY	37	14
16-59625	STUD, CLAMP BRACKET (NOT USED WITH FULL POWER TRIM)	39	9	18-25191	COTTER PIN, PUSH ROD PIN NOT USED WITH FULL POWER	43	19
16-64280	STUD, CARBURETOR MOUNTING (1 3/16")	25	4	18-36391	COTTER PIN, MOUNTING TUBE PIN	59	47
16-64281	STUD, CRANKCASE TO EXHAUST EXTENSION PLATE (1 7/8")	25	5	18-45882	COTTER PIN, REVERSE LOCK TO SHAFT	41	30
16-66739	STUD, CYLINDER BLOCK TO DRIVE SHAFT HOUSING PLATE	25	8	18-47959	COTTER PIN, TILT LOCK . . .	39	26
16-69037	STUD, CARBURETOR - CHOKE SHUTTER PIVOT	19	26	19-45907	PLUG, FLYWHEEL PULLER THREADS	7	1
17-20032	DOWEL PIN, CENTER MAIN BEARING	29	8	19-48750	PLUG, FLUSHING	45	--
17-20032	DOWEL PIN, MAIN BEARING	29	16	19-64649	PLUG, PLASTIC - TRIM TAB SCREW HOLE	43	3
17-20033	PIN, DOWEL - CRANKCASE TO CYLINDER BLOCK . . .	25	6	21-30430A7	CHECK VALVE ASSEMBLY . .	23	2
17-23784	DOWEL PIN, DRIVE SHAFT HOUSING PLATE	35	17	21-77560	CHECK VALVE, BLEED HOSE - UPPER	25	25
17-23784	DOWEL PIN, EXHAUST EXTENSION PLATE	35	6	21-77561	CHECK VALVE, BLEED HOSE - LOWER	25	27
17-26618	PIN, DOWEL - PULLEY TO FLYWHEEL	7	7	22-20781	ELBOW, BALANCE HOSE . . .	25	28
17-27961	PIN, ECONOMIZER COLLAR - SPRING RETAINER	13	7	22-25094	FITTING, GREASE - DISTRIBUTOR ADAPTOR	13	36
17-27962	PIN, ANCHOR SPRING - DISTRIBUTOR HOUSING . .	13	3	22-25094	FITTING, GREASE - ECONOMIZER COLLAR . . .	13	8
17-29077	ROLL PIN, TENSION SPRING TO KNOB	5	6	22-32802	PLUG, PIPE - EXHAUST MANIFOLD COVER	27	22
17-29908	PIN, ROLL - FLANGE LOCATING	15	53	22-46008	PLUG, CONTROL VALVE (1/2-20")	53	17
17-30632	PIN, CROSS - RATCHET TO PROPELLER SHAFT	49	58	22-63981	ELBOW, FUEL LINE TO ADAPTOR	23	24
17-35973	DOWEL PIN, WATER PUMP BASE TO WATER PUMP BODY	45	19	22-64704	FITTING, ELBOW - LOWER CARBURETOR	23	31
17-38311	PIN, COIL SPRING MOUNTING -NOT USED WITH FULL POWER TRIM	39	18	22-64704	FITTING, PULSE LINE (90) .	23	18
17-46912	DOWEL PIN, GEAR HOUSING LOCATING	45	2	22-64704	FITTING, PULSE LINE TO TRANSFER COVER (90) .	23	22
17-47175	PIN, LOCKING LEVER AND COVER FASTENING	33	27	22-64706	FITTING, TEE - CENTER CARBURETOR	23	30
				22-66328	FITTING, TEE - UPPER CARBURETOR	23	29
				22-67892	PLUG, DRAIN (MAGNETIC) . .	47	47
				22-68307	PLUG, PIPE - CYLINDER BLOCK COVER	27	27
				22-74036	FITTING, GREASE - SWIVEL BRACKET	37	7
				22-74036	GREASE FITTING	57	1A
				22-78279	ELBOW, TELL TALE HOSE TO CYLINDER BLOCK	33	16
				22-78742	TEE, BALANCE HOSE	25	30

PARTS INDEX

Part Number	Description	Pg.	Ref. No.	Part Number	Description	Pg.	Ref. No.
23-26600	BUSHING, SHIFT SHAFT . . .	33	18	24-30622	SPRING, COMPRESSION -		
23-27132	BUSHING, NYLON -				CAM FOLLOWER	49	52
	EXHAUST EXTENSION			24-30772	SPRING, TENSION -		
	PLATE	35	2		FASTENING KNOB	5	5
23-28198	BUSHING, RUBBER - SHOCK			24-30893	SPRING, RETAINING -		
	ABSORBER (LOWER) . . .	41	36		CROSS PIN	49	59
23-28688	SPACER, RUBBER - COIL			24-35522	SPRING, TENSION - LOWER		
	SPRING POSITIONING . .	39	19		MOUNT CLAMP	43	35
23-29804	SLEEVE, GUIDE - WATER			24-45272	SPRING, TENSION - LIMIT		
	INLET TUBE	47	36		SWITCH PLUNGER	57	15
23-32171	BUSHING, RUBBER - SHOCK			24-48230	SPRING, CHOKE ROD		
	ABSORBER (UPPER)	41	35		TENSION	19	32
23-32427	SPACER, CHOKE ROD			24-57818	SPRING, UPPER FILTER		
	SPRING STUD	19	34		SCREEN SCREW	19	30
23-35977	GROMMET, RUBBER - LIFT			24-68434	SPRING, PULSE LINE	23	19
	HOSE AND TRIM HOSE . .	59	43	24-78203A1	SPRING, REVERSE LOCK		
23-45280	SPACER, SHOCK CYLINDER				TENSION -NOT USED		
	- LOWER	57	5	25-20116	WITH FULL POWER TRIM	39	28
23-45281	BUSHING, RUBBER - SHOCK			25-20415	GROMMET, CHOKE ROD . .	19	18
	CYLINDER	57	6	25-21720	"O" RING, ADAPTOR STEM .	23	36
23-45354	BUSHING, RUBBER - CUT-				"O" RING, CONTROL VALVE		
	OUT LIMIT SWITCH	57	30		TO MANIFOLD PLATE (1/2"		
23-45818	BUSHING, THROTTLE				O.D.)	53	12
	CONTROL LEVER SCREW	13	20	25-21720	"O" RING, HYDRAULIC		
23-47250	SPACER, DRIVE PULLEY . .	15	51		PUMP	51	1
23-47803	BUSHING, TILT LOCK	39	--	25-21720	"O" RING, HYDRAULIC		
23-48674	SPACER, THROTTLE				PUMP TO MANIFOLD		
	ACTUATOR PLATE				PLATE	53	2
	SCREW	13	32	25-21720	"O" RING, PUMP TO		
23-53538	SPACER, ROTOR SHAFT . .	9	11		MANIFOLD PLATE (SEE		
23-53539	SLEEVE, ROTOR SHAFT . . .	9	3	25-25439	REFERENCE #2)	53	10
23-56774	SPACER, COLLAR TO TOP				"O" RING, SHIFT SHAFT		
	MOUNTING CAP	17	23	25-26547	BUSHING	47	41
23-59624	SPACER, CLAMP BRACKET			25-26547	GROMMET, HIGH TENSION		
	STUD	39	8		CABLE	9	19
23-62238--1	SLEEVE, SPARK PLUG LEAD			25-26547	GROMMET, SPARK PLUG		
	(7")	9	28A		LEADS	9	29
23-69132	BUSHING, REVERSE LOCK			25-29976	"O" RING, BEARING		
	PIVOT SHAFT	37	2		CARRIER	49	63
23-69341	BUSHING, SWIVEL			25-30271	RING, RUBBER -		
	BRACKET	37	3		CENTRIFUGAL SLINGER		
23-70412	SPACER, BALL BEARING TO			25-32546	(DRIVE SHAFT)	47	35
	BASE	45	11		"O" RING, BEARING		
23-73203	SPACER, UPPER SHOCK			25-32546	CARRIER	49	--
	BUSHING TO CLAMP			25-33145	"O" RING, END CAP	27	10
	BRACKET	41	37		"O" RING, WATER PUMP		
23-77631A2	BUSHING ASSEMBLY, SHIFT			25-45016	BASE	45	15
	SHAFT	47	42		"O" RING, SHOCK CYLINDER		
24-20099	SPRING, LINK ROD TO			25-45253	BLEED SCREW	57	3
	GUIDE BLOCK	33	31		"O" RING, CONTROL VALVE		
24-23067	SPRING, ADAPTOR STEM .	23	35	25-45254	TO MANIFOLD PLATE (5/8"		
24-24390	SPRING, TENSION -				O.D.)	53	13
	ADJUSTING STUD	57	22		"O" RING, CONTROL VALVE		
24-27944	SPRING, HORSESHOE -			25-45507	TO MANIFOLD PLATE (3/4"		
	DISTRIBUTOR HOUSING .	13	4		O.D.0	53	11
24-28659	SPRING, COIL - SWIVEL				GROMMET, RUBBER - INLET		
	BRACKET -NOT USED			25-47254	COVER	57	37
	WITH FULL POWER TRIM	39	17	25-57806	"O" RING	27	4
					GROMMET, PLASTIC - TRIM		
					COVER SCREW	43	6A

PARTS INDEX

Part Number	Description	Pg.	Ref. No.	Part Number	Description	Pg.	Ref. No.
25-62702	"O" RING, TILT LOCK	39	25C	28-56654	KEY, IMPELLER DRIVE	45	28
26-22734	OIL SEAL, SWIVEL BRACKET (TILT LOCK)	39	25A	29-47270	BEARING, NEEDLE - PISTON PIN	29	30
26-29476	OIL SEAL, END CAP	27	3	29-52168	BEARING, NEEDLE - OUTER RACE	29	9
26-29476	OIL SEAL, END CAP	27	9	30-20066	BALL BEARING, DISTRIBUTOR HOUSING (UPPER)	9	1
26-31489	OIL SEAL, WATER PUMP BASE	45	17	30-26379	BALL BEARING, DISTRIBUTOR HOUSING (LOWER)	9	9
26-31507	OIL SEAL, WATER PUMP BASE	45	18	30-31265	BALL BEARING, REVERSE GEAR	49	--
26-37448	OIL SEAL, SWIVEL BRACKET	37	5	30-62567	BEARING, BALL - UPPER	29	3
26-38970	SEAL, RUBBER - WATER INLET TUBE	35	16	30-63742	BEARING, BALL - LOWER	29	4
26-38970	SEAL, RUBBER - WATER INLET TUBE	45	26	31-30894A1	TAPERED ROLLER BEARING ASSEMBLY	49	54
26-60898	SEAL, DRIVE SHAFT HOUSING PLATE	35	14	31-30895	BEARING, ROLLER - FORWARD GEAR	49	55
26-70608	OIL SEAL, STARBOARD MOUNTING BRACKET	57	13	31-30956	BEARING, ROLLER - BEARING CARRIER	49	65
26-76384	OIL SEAL, SHIFT SHAFT BUSHING	47	43	31-32898	BEARING, ROLLER - DRIVE SHAFT	45	7
26-76868	OIL SEAL, BEARING CARRIER	49	66	31-62596A1	BEARING ASSEMBLY, CRANKPIN	29	27
27-32433	GASKET, LOWER - WATER PUMP BASE TO FACE PLATE	45	20	31-69220	ROLLER BEARING, DRIVE SHAFT	45	12
27-32434	GASKET, UPPER - FACE PLATE TO WATER PUMP BODY	45	22	32-34395A1	HOSE, BALANCE - MAIN BEARING (6 1/4")	25	29
27-33146	GASKET, WATER PUMP BASE	45	14	32-34395A1	HOSE, DRIP TRAY TO BOTTOM COWL (8")	33	5
27-45274	GASKET, INLET COVER	57	36	32-34395A1	HOSE, TELL TALE - EXHAUST COVER TO BOTTOM COWL (21 1/2")	33	13
27-45275	GASKET, LIMIT SWITCH COVER	57	33	32-45327	HOSE, TRIM - CYLINDER TO CONTROL VALVE (5') - 13/32" O.D.	59	41
27-48164	GASKET, CARBURETOR FLANGE	21	34	32-45959	HOSE, LIFT - CYLINDER TO CONTROL VALVE (5') - 17/32" O.D.	59	42
27-53862	GASKET, CRANKCASE TO CYLINDER BLOCK	25	2	32-54936	HOSE, BLEED (22")	25	26
27-55896	GASKET, DISTRIBUTOR CAP	9	24	32-62864	TUBE, WATER INLET	43	7
27-62362	GASKET, MEGAPHONE TO DRIVE SHAFT HOUSING PLATE	35	18	32-70432	FUEL LINE, ADAPTOR TO FUEL PUMP (6 3/4")	23	23
27-64941	GASKET, TRANSFER PORT COVER	27	31	32-70432	FUEL LINE, CARBURETOR TO CARBURETOR (6 1/4")	23	32
27-66102	GASKET, PLATE TO DRIVE SHAFT HSG. PLATE	35	11	32-70432	FUEL LINE, FUEL PUMP TO UPPER CARBURETOR (15 3/4")	23	25
27-69238	GASKET, POWERHEAD TO EXTENSION PLATE	35	7	32-70432	PULSE LINE (3 1/4")	23	20
27-72142	GASKET, WATER JACKET COVER	27	14	33-68057	SPARK PLUG (CHAMPION L- 76V)	9	25
27-72506	GASKET, CYLINDER BLOCK COVER	27	24	34-65312A1	REED SET, MATCHED - MAIN BEARING	29	19
27-72507	GASKET, CYLINDER BLOCK TO BAFFLE PLATE	27	17	34-65319	REED STOP, MAIN BEARING REED VALVES	29	20
27-72509	GASKET, BAFFLE PLATE TO EXHAUST MANIFOLD COVER	27	19	35-57819	SCREEN ASSEMBLY, FILTER - CARBURETOR	19	28
28-29910	KEY, DISTRIBUTOR DRIVER	15	55	35-59072	SCREEN, FILTER - INLET	23	8
28-30281	KEY, LOCATING - BEARING CARRIER	49	67				

PARTS INDEX

Part Number	Description	Pg.	Ref. No.	Part Number	Description	Pg.	Ref. No.
39-78811A12	RING, PISTON	31	-	84-69237	CABLE, WIRE - STARTER		
39-78816A12	RING, PISTON	29	25		MOTOR TO SOLENOID ..	17	34
40-52035	LOCK RING, PISTON PIN ..	29	24	84-74023	CONNECTOR AND		
43-68347	REVERSE GEAR	49	61		HARNESS	53	18
43-68447	FORWARD GEAR	49	56	85-71006A1	PROTECTOR, SPARK PLUG		
43-68548	GEAR, PINION - DRIVE				LEAD	9	27
	SHAFT	45	9	85-76199	INSULATOR, STOP		
44-52542	SHAFT, PROPELLER	49	60		BRACKET ADJUSTING		
45-69250	DRIVE SHAFT	45	8		SCREW	15	45B
46-64141A1	WATER PUMP BODY			89-68258	SOLENOID, STARTER	17	28
	ASSEMBLY	45	23	89-68258	STARTER SOLENOID	53	28
46-69222A1	WATER PUMP BASE			92-25234--1	GLUE, ADHESIVE -		
	ASSEMBLY	45	16		BLANKET FASTENING ...	5	14
47-65960	IMPELLER, WATER PUMP .	45	27	92-27109--1	ADHESIVE COMPOUND,		
50-72467	STARTER MOTOR				EMBLEM FASTENING ...	5	14
	ASSEMBLY	17	25	225-2494A30	FLYWHEEL ASSEMBLY,		
52-34239	RATCHET, SLIDING GEAR .	49	57		COMPLETE - SERIAL		
53-26406	RING, RETAINER - BALL				GROUP #1	7	4
	BEARING TO			225-2494A37	FLYWHEEL ASSEMBLY,		
	DISTRIBUTOR HOUSING .	9	12		COMPLETE - SERIAL		
53-26933	RING, SNAP - OUTER RACE	29	11		GROUP #2	7	4
53-29641	"E" RING, RETAINING -			332-2854	BOOT, HIGH TENSION		
	SHIFT SHAFT	47	40		CABLE TO COIL	9	20
53-73591	RETAINING RING, BOTTOM			332-2986A25	SWITCH BOX ASSEMBLY ..	17	15
	YOKE ATTACHING	37	16A	332-4895A2	IGNITION COIL ASSEMBLY	11	1
54-22627	CLIP, FUEL LINE			392-2529	SPRING SET, BRUSH		
	ATTACHING	23	26		TENSION	51	16
54-22627	CLIP, STATOR/WIRING			392-2618	CAN, VALVE BODY	51	3
	HARNESS LEADS			392-2623	WASHER, THRUST -		
	FASTENING (1/2")	7	13		ARMATURE	51	10
54-24871	CLIP, STATOR LEAD			392-2936	VALVE BODY AND GEAR		
	FASTENING (5/8")	7	13		ASSEMBLY	51	2
54-26538	CLIP, STATOR LEADS TO			392-2937	SEAL, RESERVOIR TO		
	BLOCK (1/8")	17	10		VALVE BODY AND GEAR	51	5
54-60768	CLAMP, DISTRIBUTOR CAP			392-2938	BOLT SET, THRU - PLATE		
	TO DISTRIBUTOR HSG. .	9	15		AND FRAME TO		
54-68424	CLAMP, FUEL LINE				RESERVOIR	51	17
	ATTACHING	23	21	392-2939	RESERVOIR ASSEMBLY ...	51	6
54-76368	CLAMP, WIRING HARNESS			392-2940	PLATE ASSEMBLY,		
	TO BOTTOM COWL	17	3		COMMUTATOR END	51	14
55-28416	PIN, UPPER SHOCK			392-2941	BRUSH SET, COMMUTATOR		
	MOUNTING	39	16		END PLATE	51	15
55-58780A2	SHOCK ABSORBER NOT			392-2942	FIELD AND FRAME		
	USED WITH FULL POWER				ASSEMBLY	51	12
	TRIM	41	34	392-2943	ARMATURE, FIELD AND		
55-65447	PIN, LOWER SHOCK				FRAME	51	11
	MOUNTING	41	31	392-2944	BALL, COMMUTATOR END		
84-60466A1	CABLE ASSEMBLY	11	6		PLATE	51	13
84-63212A2	SPARK PLUG LEAD			393-1293A1	BRUSH AND SPRING		
	ASSEMBLY #1, #2, #3, #4,				ASSEMBLY	9	22
	#5, AND #6	9	26	393-3736A77	HOUSING ASSEMBLY,		
84-66008A1	WIRE, GROUND -				DISTRIBUTOR	9	4
	DISTRIBUTOR ADAPTOR			393-3736A77	HOUSING ASSEMBLY,		
	TO FRONT SUPPORT				DISTRIBUTOR	13	1
	BRACKET	13	40	393-4312	ROTOR, DISTRIBUTOR	9	14
84-66054A2	CABLE ASSEMBLY, COIL TO			393-4313	DISC, ROTOR	9	13
	SWITCH BOX	11	8	393-4841A2	DISTRIBUTOR CAP		
84-69207A1	CABLE ASSEMBLY, CAP TO				ASSEMBLY	9	22
	COIL	9	18	398-4793	STATOR, ALTERNATOR ...	7	11
				436-6646A2	CRANKSHAFT ASSEMBLY .	29	1

PARTS INDEX

Part Number	Description	Pg.	Ref. No.	Part Number	Description	Pg.	Ref. No.
535-5397A4	CENTER MAIN BEARING ASSEMBLY	29	7	2113-5631A4	COWL FRONT COVER ASSEMBLY (WITHOUT DECALS)	5	1
540-5266A4	MAIN BEARING ASSEMBLY, VALVE TYPE	29	15	2114-5999	COWL, TOP (WITHOUT DECALS)	3	1
622-4850A3	CONNECTING ROD AND CAP ASSEMBLY	29	26	2115-662	COWL, BOTTOM	33	1
745-6637A3	PISTON AND PISTON PIN ASSEMBLY	29	23	2136-4660A17	WRAP AROUND COWL ASSEMBLY	5	11
745-6694A2	PISTON AND PISTON PIN ASSEMBLY	31	-	5353-	FLOAT ASSEMBLY	21	2
852-6631A3	CYLINDER BLOCK AND CRANKCASE ASSEMBLY	25	1				
852-6687A1	CYLINDER BLOCK AND CRANKCASE ASSEMBLY	27	1				
1023-5070	COVER, CYLINDER BLOCK	27	23				
1134-3197A1	END CAP ASSEMBLY	27	2				
1148-5410A1	END CAP ASSEMBLY, LOWER	27	7				
1368-5259A16	CARBURETOR ASSEMBLY	21	1				
1368-5259A16	CARBURETOR ASSEMBLY, COMPLETE	19	9				
1395-4540	SCREW, BODY (IDLE TUBE)	21	21				
1395-4541	SCREW, PLUG - MAIN FUEL JET CHANNEL	21	29				
1395-4542	SCREW, PLUG - MAIN NOZZLE	21	27				
1395-4543	SCREW, BODY CHANNEL	21	32				
1395-4804	SCREW, FLOAT BOWL COVER	21	14				
1395-4808	GASKET AND PACKING SET (1 PER CARBURETOR)	21	33				
1395-4868	INLET NEEDLE, SEAT AND GASKET	21	6				
1395-5261	COVER, FLOAT BOWL	21	10				
1395-5666	SHUTTER, THROTTLE	21	22				
1395-5672	REPAIR PARTS KIT (1 PER CARBURETOR)	21	33				
1399-3518	JET, MAIN FUEL (.082)	21	28				
1399-3520	JET, MAIN FUEL (.0785)	21	28				
1399-3527	SHAFT, THROTTLE	21	19				
1399-3796	JET, MAIN FUEL (.076)	21	28				
1399-97	LEVER, THROTTLE (SEE NOTE BELOW)	21	17				
1440-6625A3	CLAMP BRACKET ASSEMBLY	39	1				
1453-6019A2	SWIVEL BRACKET ASSEMBLY	37	1				
1575-5240A4	DRIVE SHAFT HOUSING ASSEMBLY	43	1				
1623-6048A3	GEAR HOUSING ASS'Y - SERIAL GROUP #1	45	1				
1623-6048A3	GEAR HOUSING ASS'Y - SERIAL GROUP #1	49	1				
1623-6048A4	GEAR HOUSING ASS'Y, COMP. SEE NOTE BELOW	45	-				
1653-6048A4	GEAR HOUSING ASS'Y, COMP. SEE NOTE BELOW	49	-				
1655-7333A23	GEAR HOUSING ASS'Y SERIAL GROUP #2	45	1				