



# PARTS CATALOG

## 470 ENGINE

### SERIAL NUMBER

470 (2 BBL.) MERCURY 224 I/L4 1976-1979 ..... 4208730 THRU 5520114

# TABLE OF CONTENTS:

CAMSHAFT AND PISTON ASSEMBLY .....	40
CARBURETOR ASSEMBLY .....	16
CARBURETOR ASSEMBLY, FLAME ARRESTOR AND FUEL PUMP .....	20
CRANKSHAFT, FLYWHEEL AND ALTERNATOR ASSEMBLY .....	36
CYLINDER BLOCK ASSEMBLY, OIL PUMP AND OIL PAN .....	50
CYLINDER HEAD ASSEMBLY AND ROCKER COVER .....	32
DISTRIBUTOR ASSEMBLY AND COIL .....	10
EXHAUST ELBOW ASSEMBLY .....	46
EXHAUST MANIFOLD ASSEMBLY AND EXHAUST ELBOW ASSEMBLY .....	22
FLYWHEEL HOUSING ASSEMBLY .....	48
FRONT COVER ASSEMBLY .....	44
FRONT MOUNT ASSEMBLY .....	26
HEAT EXCHANGER AND COOLANT RECOVERY ASSEMBLY .....	28
INTAKE MANIFOLD AND LINKAGE .....	14
PARTS INDEX .....	56
STARTER ASSEMBLY AND WIRING HARNESS .....	6
VOLTAGE REGULATOR AND RECTIFIER .....	2
WATER CLOSED COOLING KIT .....	54

**NOTE:** Indented description indicate that these parts are included in preceeding assembly.

**AR** = As Required

**NSS** = Not Sold Separate

**OPT** = Optional

**NS** = Not Shown

**NOTE:** Following symbols are located in **SYM** column.

■ = COMPONENT OF ENGINE/POWERHEAD  
GASKET SET (27-74264A 1)

□ = COMPONENT OF CARBURETOR REPAIR  
KIT (1397-6367)

❖ = COMPONENT OF CARBURETOR GASKET  
SET (1397-6363)

➤ = COMPONENT OF POWER CARBURETOR  
KIT (1397-6362)

**THESE PARTS BOOKS/FICHE CARD ARE COPYRIGHTED AND MAY NOT BE DISTRIBUTED OR REPRODUCED IN ANY OTHER FORMAT BY ANYONE OTHER THAN MERCURY MARINE WITHOUT THE PRIOR WRITTEN CONSENT OF MERCURY MARINE.**

# **REPLACEMENT PARTS ! WARNING !**

Electrical, ignition and fuel system components on MerCruiser Engines and Stern Drives are designed and manufactured to comply with U.S. Coast Guard Rules and Regulations to minimize risks of fire or explosion. Use of replacement electrical, ignition or fuel system components, which do not comply to these rules and regulations, could result in a fire or explosion hazard and should be voided.

When servicing the electrical, ignition and fuel systems, it is extremely important that all components are properly installed and tightened. If not, any electrical or ignition component opening would permit sparks to ignite fuel vapors from fuel system leaks, if they existed.

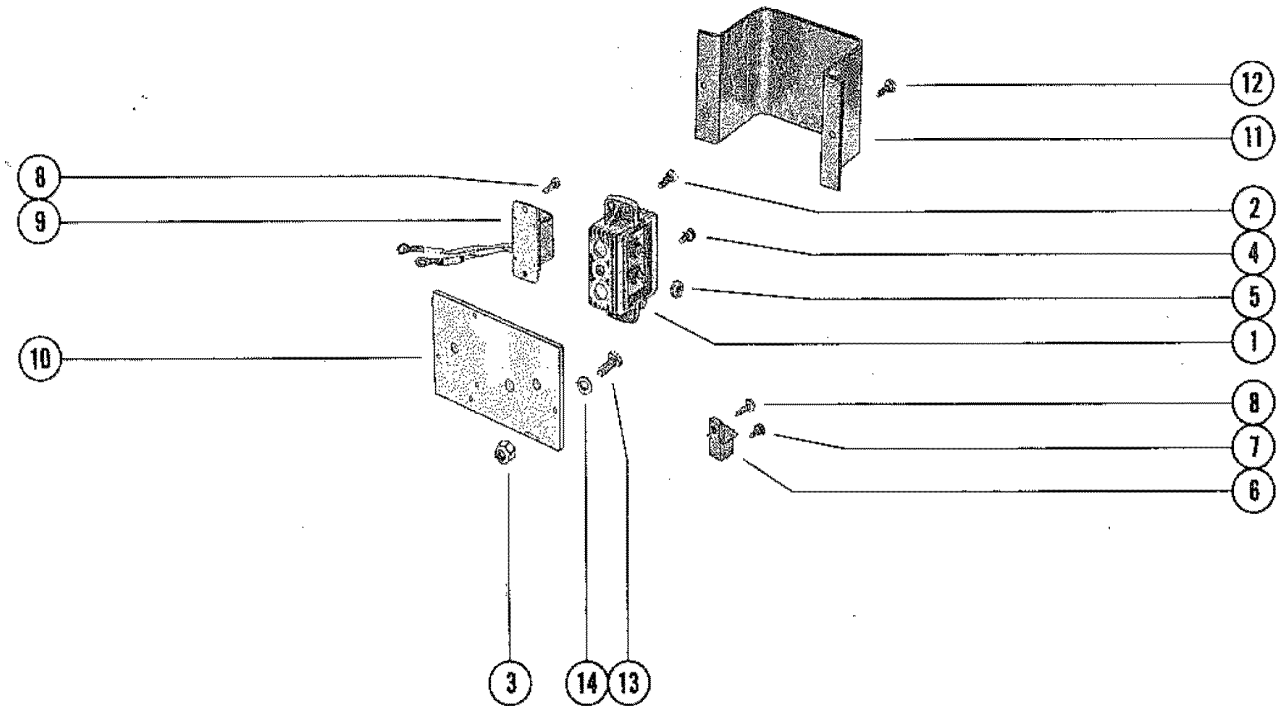
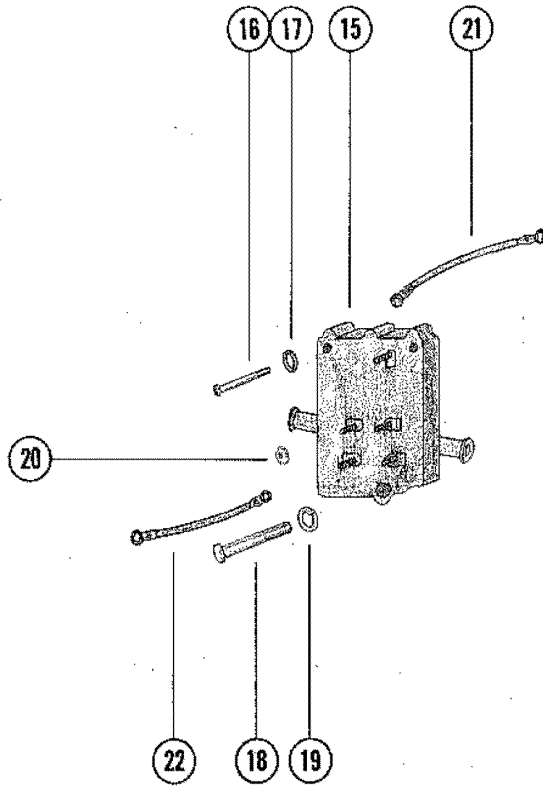
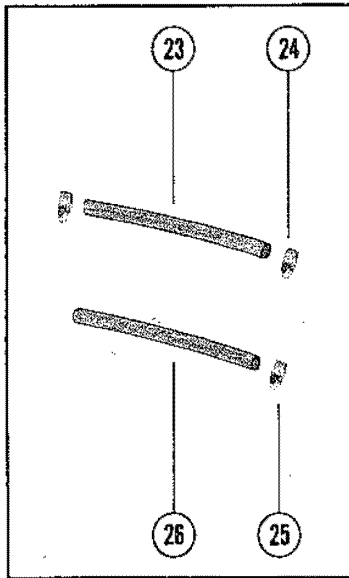
## **ENGINE MECHANICAL COMPONENTS**

Many of the engine mechanical components are designed for marine applications. Unlike automotive engines, marine engines are subjected to extended periods of heavy load and wide- open-throttle operation, therefore, require heavy-duty components. Special marine engine parts have design and manufacturing specifications, which are required to provide long life and dependable performance. Marine engine parts also must be able to resist the corrosive action of salt or brackish water that will rust or corrode standard automotive parts within a short period of time.

Failure to use recommended Mercury Precision Parts OR Quicksilver service replacement parts can result in poor engine performance and/or durability, rapid corrosion of parts subjected to salt water and possibly complete failure of the engine.

Use of parts other than recommended service replacement parts will void the warranty on those parts which are damaged as a result of the use of other than recommended parts.

# VOLTAGE REGULATOR AND RECTIFIER

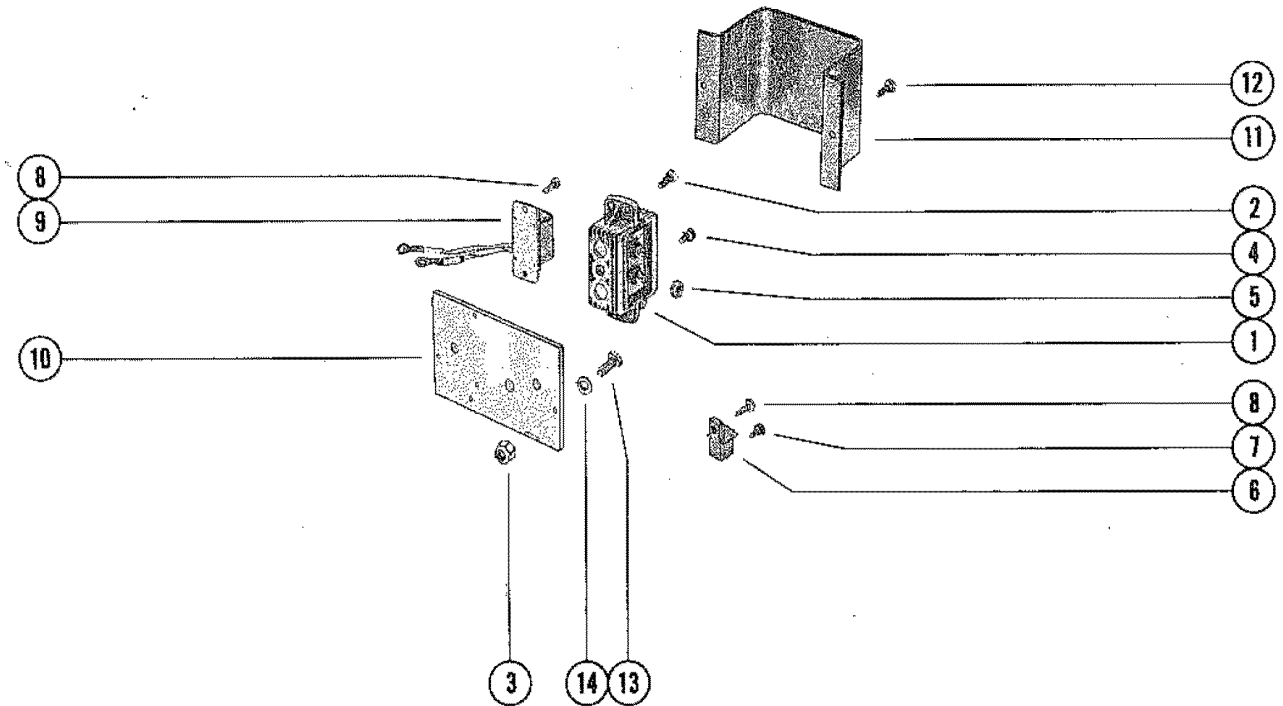
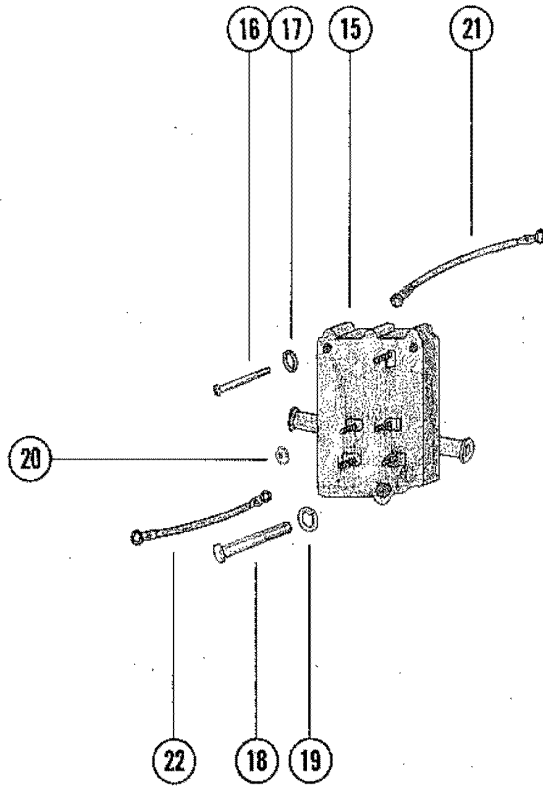
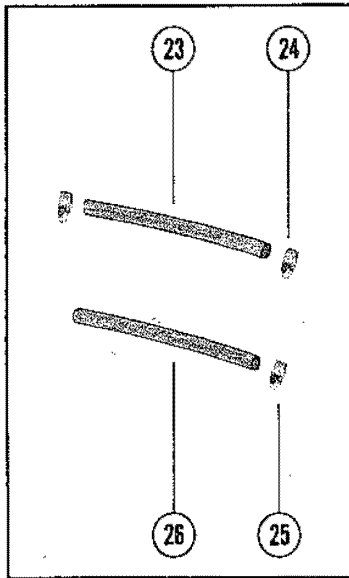


# VOLTAGE REGULATOR AND RECTIFIER

REF. NO.	PART NO.	SYM.	QTY.	DESCRIPTION
1	32177A1		1	RECTIFIER ASSEMBLY SERIAL 00000000-04625579
2	10-26065		1	SCREW, RECTIFIER TO MOUNTING PLATE (1") SERIAL 00000000-04625579
3	11-35814		1	NUT, RECTIFIER TO MOUNTING PLATE SCREW SERIAL 00000000-04625579
4	10-29852		1	SCREW, LEAD TO RECTIFIER SERIAL 00000000-04625579
5	11-68219		2	NUT, LEADS TO RECTIFIER (10-32) SERIAL 00000000-04625579
6	86-71141		1	TERMINAL BLOCK SERIAL 00000000-04625579
7	10-29852		1	SCREW, LEAD TO TERMINAL BLOCK SERIAL 00000000-04625579
8	10-35519		3	SCREW, REGULATOR AND TERMINAL BLOCK (1/2") SERIAL 00000000-04625579
9	75220		1	VOLTAGE REGULATOR SERIAL 00000000-04625579
10	75219		1	PLATE, REGULATOR TERMINAL BLOCK AND RECTIFIER SERIAL 00000000-04625579
11	75361		1	COVER, REFULATOR TERMINAL BLOCK AND RECTIFIER SERIAL 00000000-04625579
12	10-35519		2	SCREW, COVER TO PLATE (1/2") SERIAL 00000000-04625579
13	10-28635		2	SCREW, PLATE TO CYLINDER BLOCK (5/8") SERIAL 00000000-04625579
14	13-26992		2	LOCKWASHER, PLATE TO CYLINDER BLOCK SCREW SERIAL 00000000-04625579
15	77305A2		1	VOLTAGE REGULATOR ASSEMBLY SERIAL 04625580-05120655
	86255A2		2	VOLTAGE REFULATOR ASSEMBLY SERIAL 05120656-09999999
16	10-27337		2	SCREW, VOLTAFE REGULATOR ATTACHING(2 1/4") SERIAL 04625580-09999999
17	13-26992		2	LOCKWASHER, VOLTAGE REGULATOR SCREW SERIAL 04625580-09999999
18	10-28464		1	SCREW, VOLTAGE REGULATOR SCREW SERIAL 04625580-09999999
19	13-58643		1	LOCKWASHER, VOLTAGE REGULATOR SCREW SERIAL 04625580-09999999
20	11-68219		5	NUT, STATOR LEADS TO VOLTAGE REGULATOR STUDS SERIAL 04625580-09999999
21	84-78061A1		1	CABLE ASS'Y REGULATOR SERIAL 00000000-05038816
	84-79139A8		1	CABLE ASS'Y REGULATOR SERIAL 04625580-09999999
22	84-62826A5		1	CABLE ASS'Y, STUD TO MTG BOLT SERIAL 00000000-04973768
	84-79435A1		1	CABLE ASS'Y, STUD TO MTG BOLT SERIAL 04625580-09999999

CONTINUED ON NEXT PAGE ➡

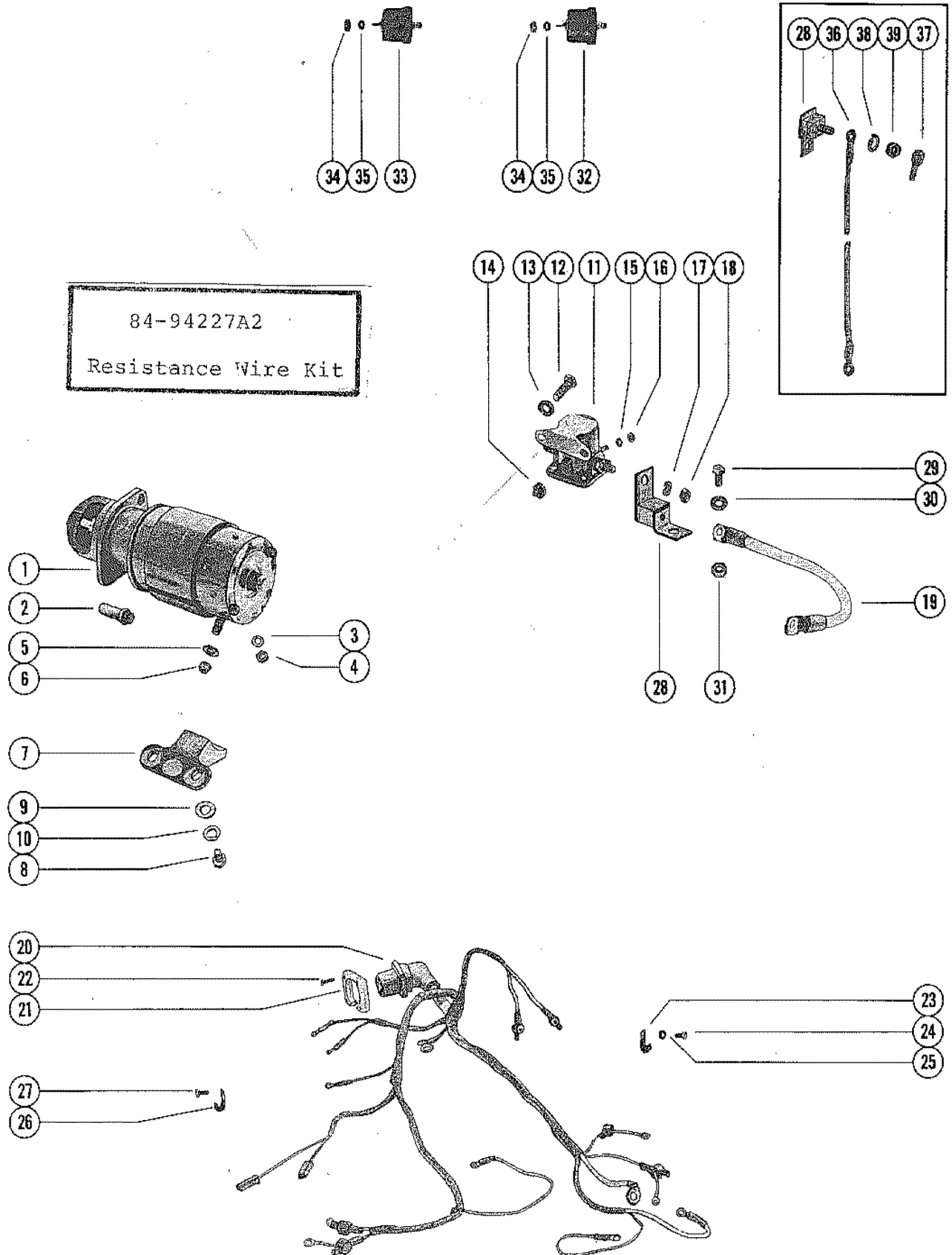
# VOLTAGE REGULATOR AND RECTIFIER



# VOLTAGE REGULATOR AND RECTIFIER

REF. NO.	PART NO.	SYM.	QTY.	DESCRIPTION
23	32-47642		1	HOSE, REGULATOR TO EXCHANGER <b>SERIAL 0000000-05023747</b>
	32-85360		1	HOSE, REGULATOR TO EXCHANGER <b>SERIAL 04625580-09999999</b>
24	54-32533		2	CLAMP, VOLTAGE REGULATOR HOSE <b>SERIAL 04625580-09999999</b>
25	54-32523		2	CLAMP, VOLTAGE REGULATOR HOSE <b>SERIAL 04625580-09999999</b>
26	32-47642		1	HOSE, VOLTAGE REGULATOR TO STERN DRIVE <b>SERIAL 04625580-09999999</b>

# STARTER ASSEMBLY AND WIRING HARNESS



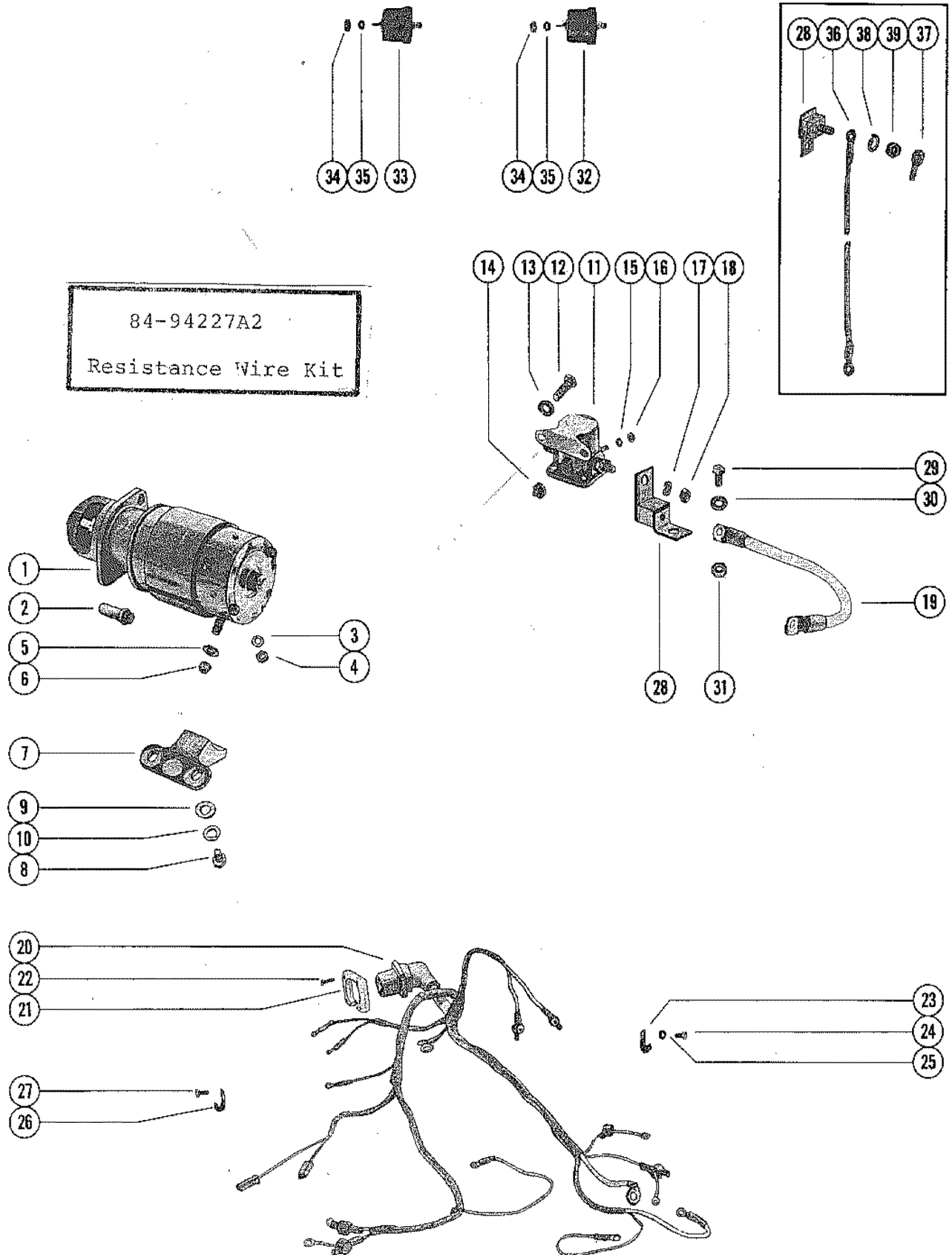


# STARTER ASSEMBLY AND WIRING HARNESS

REF. NO.	PART NO.	SYM.	QTY.	DESCRIPTION
1	50-72550		1	STARTER ASSEMBLY
2	10-72875		2	SCREW, STARTER ATTACHING (1 1/2")
3	12-34931		1	WASHER, STARTER STUD
4	11-23161		1	NUT, STARTER STUD
5	13-26993		1	LOCKWASHER, STARTER TERMINAL
6	11-29250		1	NUT, STARTER TERMINAL
7	70398		1	BRACE- STARTER TO CYLINDER BLOCK
8	10-21077		2	SCREW, STARTER BRACE TO CYLINDER BLOCK (7/8")
9	12-34931		2	WASHER, STARTER BRACE SCREW
10	13-35048		1	LOCKWASHER, STARTER BRACE SCREW
11	65057		2	STARTER SOLENOID
12	10-28635		2	SCREW, SOLENOID TO CYLINDER BLOCK (5/8")
13	13-26992		1	LOCKWASHER, SOLENOID TO CYLINDER BLOCK SCREW
14	26901		1	BUMPER, SOLENOID
15	13-26996		2	LOCKWASHER, SOLENOID TERMINAL (#10)
16	11-68219		2	NUT, SOLENOID TERMINAL (#10-32)
17	13-26993		2	LOCKWASHER, SOLENOID TERMINAL (5/16)
18	11-20083		1	NUT, SOLENOID TERMINAL (5/16-24)
19	59646		1	CABLE, SOLENOID TO STARTER
20	84-73153A1		1	WIRING HARNESS
21	26079		1	PLATE, HARNESS ATTACHING
22	10-46718		4	SCREW, PLATE TO BRACKET (3/4")
23	54-64235--1		1	"J" CLIP, WIRING HARNESS
24	10-20031		1	SCREW, WIRING HARNESS CLAMP TO MANIFOLD (1/2")
25	13-26992		1	LOCKWASHER, WIRING HARNESS CLAMP SCREW
26	54-73668		3	"J" CLIP, WIRING HARNESS TO INTAKE MANIFOLD
27	10-26801		3	SCREW, CLIP TO INTAKE MANIFOLD
28	88-79023A55		1	FUSE ASS'Y, SOLENOID (55 AMP) <b>SERIAL 04886620-05064928</b>
	88-79023A90		1	FUSE ASS'Y, SOLENOID ( 90 AMP)- <b>SERIAL 05064929-09999999</b>
29	10-24234		1	SCREW, CABLE TO FUSE ATTACHING (5/16 X 1") <b>SERIAL 04886620-09999999</b>
30	13-39107		1	LOCKWASHER, CABLE TO FUSE ATTACHING SCREW <b>SERIAL 04886620-09999999</b>
31	11-21908		1	NUT, CABLE ATTACHING SCREW <b>SERIAL 04886620-09999999</b>
32	34623		1	SENDING UNIT, OIL PRESSURE
33	38559		1	SWITCH, OIL PRESSURE <b>SERIAL 00000000-04625579</b>
34	11-68219		2	NUT, SWITCH AND SENDING UNIT TERMINAL <b>SERIAL 00000000-04625579</b>

CONTINUED ON NEXT PAGE ➡

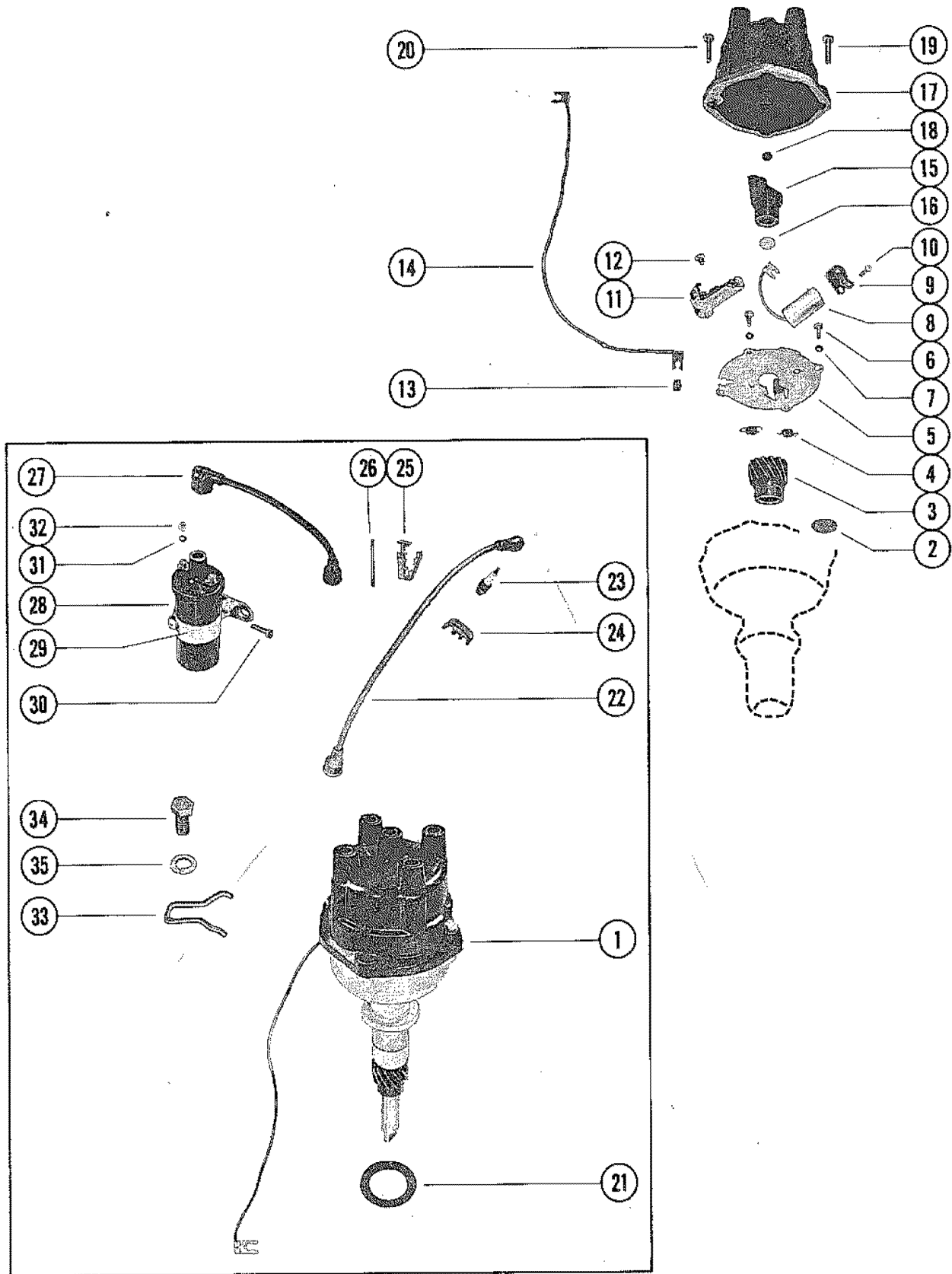
# STARTER ASSEMBLY AND WIRING HARNESS



# STARTER ASSEMBLY AND WIRING HARNESS

REF. NO.	PART NO.	SYM.	QTY.	DESCRIPTION
35	13-26996		2	LOCKWASHER, SWITCH AND SENDING UNIT TERMINAL <b>SERIAL 00000000-04625579</b>
36	84-79139A5		1	JUMPER WIRE, 90 AMP FUSE <b>SERIAL 05064929-09999999</b>
37	85-79695		1	BOOT, INSULATOR-FUSE STUD <b>SERIAL 04886620-09999999</b>
38	13-26992		1	LOCKWASHER, FUSE STUD <b>SERIAL 04886620-09999999</b>
39	11-29598		1	NUT, FUSE STUD <b>SERIAL 04886620-09999999</b>

# DISTRIBUTOR ASSEMBLY AND COIL

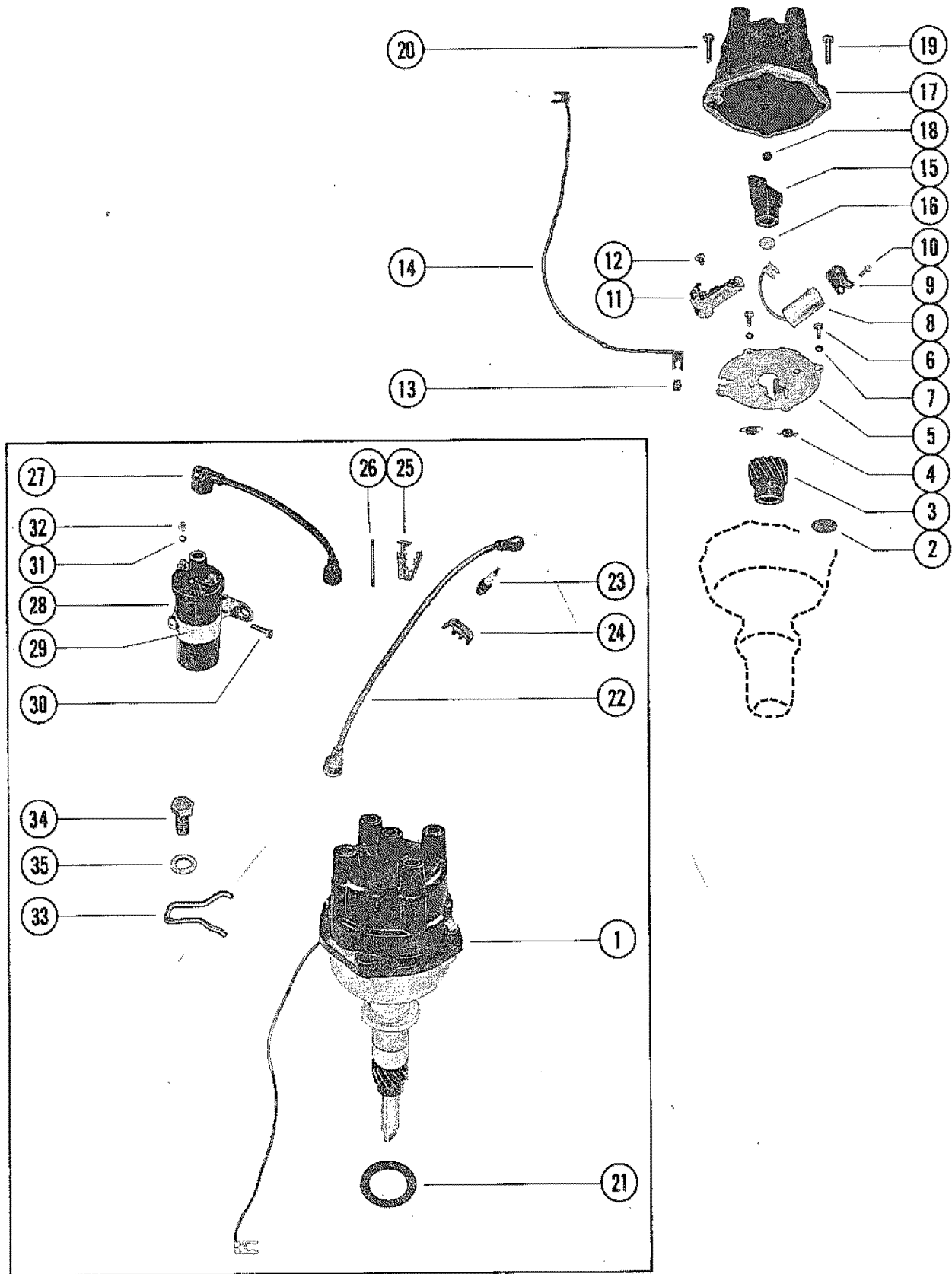


# DISTRIBUTOR ASSEMBLY AND COIL

REF. NO.	PART NO.	SYM.	QTY.	DESCRIPTION
1	73559A1		1	DISTRIBUTOR ASSEMBLY, COMP SERIAL 00000000-04973705
	85374A1		1	DISTRUBUTOR ASSEMBLY, COMP SERIAL 04973706-09999999
2	62426		2	SCREEN, VENT-DISTRIBUTOR HOUSING
3	43-73579		1	GEAR, DRIVE-MAIN SHAFT
-	<b>17-29077</b>		<b>1</b>	<b>ROLL PIN, DISTRIBUTOR GEAR</b>
-	<b>26-34111</b>		<b>1</b>	<b>SEAL, HOUSING</b>
-	<b>33653</b>		<b>2</b>	<b>FELT, BREAKER CAM LUBRICATOR</b>
-	<b>72654</b>		<b>1</b>	<b>RETAINER, BREAKER CAM LUBRICATOR FELT</b>
4	24-75410		2	SPRING, BREAKER CAM ADVANCE WEIGHT
5	75409		1	PLATE, MOUNTING-BREAKER ASSEMBLY AND CONDENSER
6	10-23977		2	SCREW, MOUNTING PLATE TO PRIMARY HOUSING
7	12-62425		2	WASHER, BREAKER PLATE SUPPORT SCREW
8	33662		1	CONDENSER
9	48024		1	BRACKET, CONDENSER MOUNTING
10	10-48021		1	SCREW, CONDENSER BRACKET ATTACHING
11	34235		1	BREAKER ASSEMBLY, DISTRIBUTOR
12	10-33650		1	SCREW, BREAKER ASSEMBLY TO MOUNTING PLATE
13	25-33666		1	GROMMET, MOUNTING PLATE-PRIMARY WIRE
14	33658		1	LEAD, PRIMARY
15	58217		1	ROTOR, DISTRIBUTOR
16	12-36275		1	WASHER, ROTOR
17	33667		1	CAP, DISTRIBUTOR
18	33654		1	BUTTON , CARBON-DISTRIBUTOR CAP
19	10-33660		1	SCREW, DISTRIBUTOR CAP TO PRIMARY HOUSING (8-32)
20	10-33663		1	SCREW, DISTRIBUTOR CAP TO PRIMARY HOUSING (10-32)
21	27-34486		1	GASKET, DISTRIBUTOR
22	84-72824--1		1	LEAD ASSEMBLY, HIGH TENSION (CYL. #1)
	84-72824--2		1	LEAD ASSEMBLY, HIGH TENSION (CYL. #2)
	84-72824--3		1	LEAD ASSEMBLY, HIGH TENSION (CYL. #3)
	84-72824--4		1	LEAD ASSEMBLY, HIGH TENSION (CYL. #4)
23	33-75340		4	SPARK PLUG (CHAMPION #RBL-9Y)
24	54676		1	RETAINER, HIGH TENSION LEADS
25	54-72821		1	CLAMP, HIGH TENSION LEADS
26	16-73583		1	STUD, HIGH TENSION LEAD CLAMP ATTACHING
27	84-72825		1	WIRE, DISTRIBUTOR TO COIL
28	32193		1	COIL, IGNITION
29	76354		1	BRACKET, IGNITION COIL MOUNTING
30	10-66652		1	SCREW, MOUNTING BRACKET TO COIL
31	12-30164		2	WASHER, IGNITION COIL TERMINAL

CONTINUED ON NEXT PAGE ➡

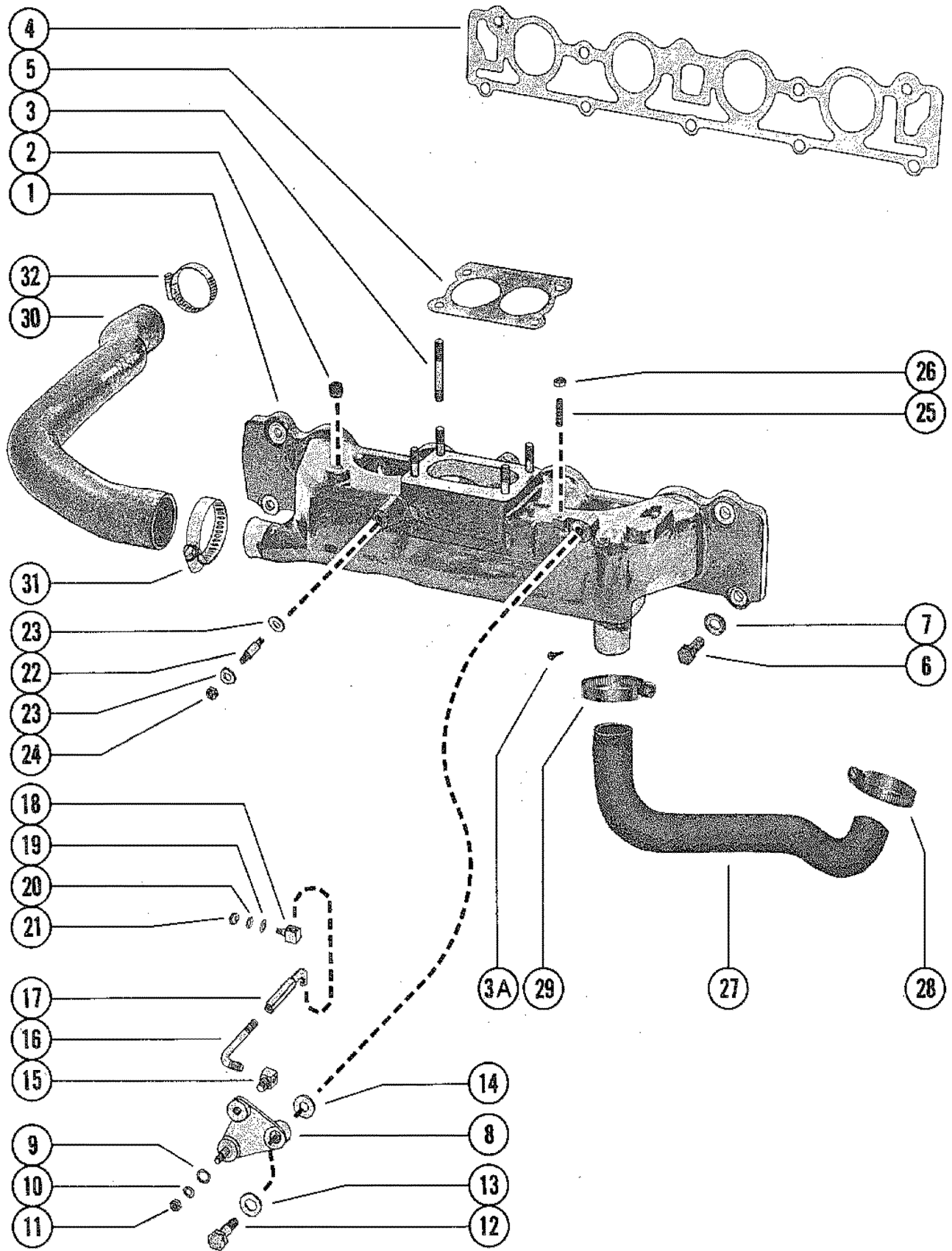
# DISTRIBUTOR ASSEMBLY AND COIL



## DISTRIBUTOR ASSEMBLY AND COIL

REF. NO.	PART NO.	SYM.	QTY.	DESCRIPTION
31	13-26996		2	LOCKWASHER, IGNITION COIL TERMINAL
32	11-68219		2	NUT, IGNITION COIL TERMINAL
33	67511		1	CLAMP UNIT, DISTRIBUTOR
34	10-24234		1	SCREW, DISTRIBUTOR TO CYLINDER BLOCK
35	13-26993		1	LOCKWASHER, DISTRIBUTOR TO CYLINDER BLOCK SCREW

# INTAKE MANIFOLD AND LINKAGE





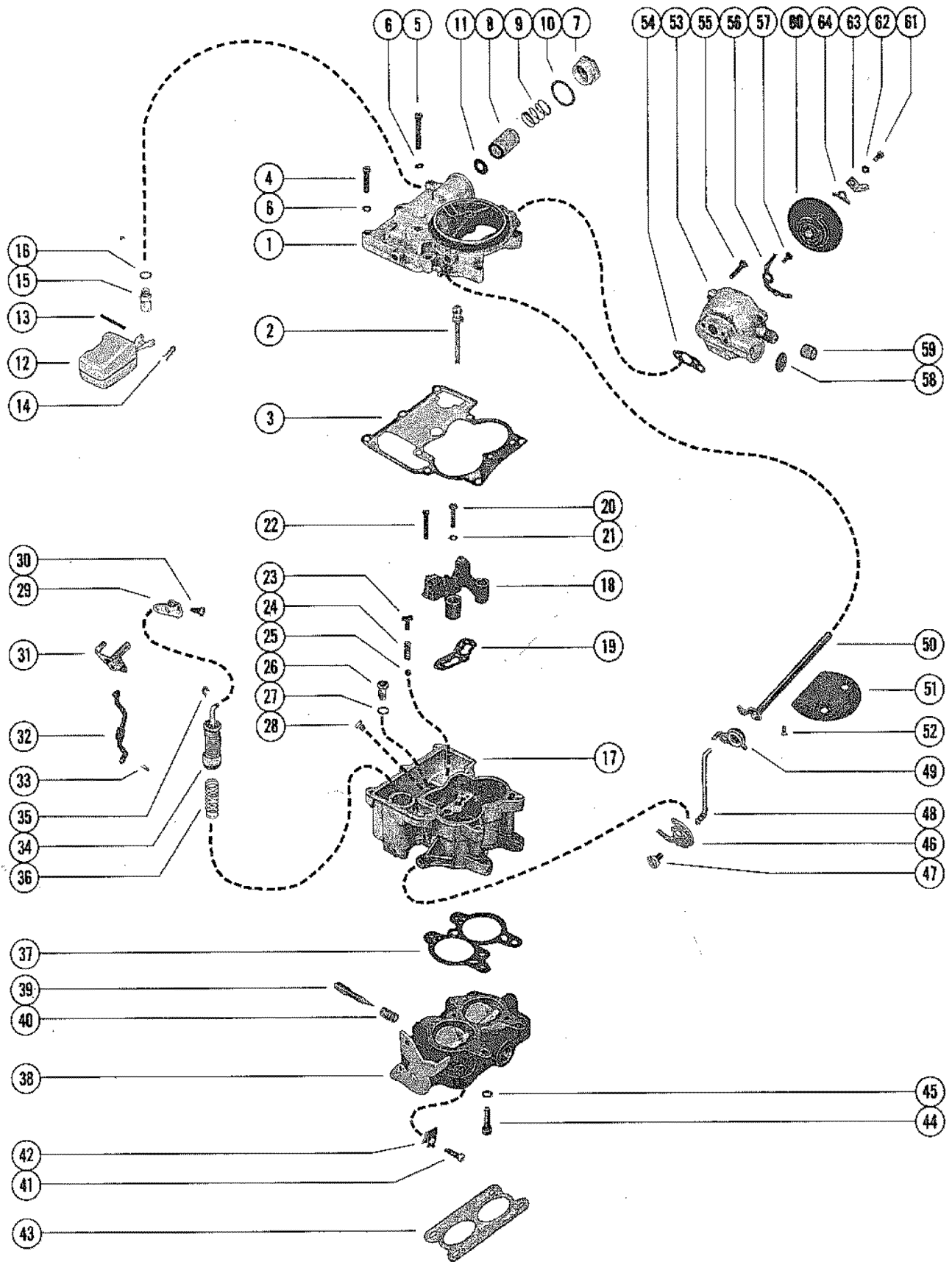
# INTAKE MANIFOLD AND LINKAGE

REF. NO.	PART NO.	SYM.	QTY.	DESCRIPTION
1	76328A2		1	INTAKE MANIFOLD ASSEMBLY
2	22-36382		1	PLUG, INTAKE MANIFOLD-TOP
3	16-70236		4	STUD CARBURETOR TO MANIFOLD
3A	10-28642		2	SCREW, DRIVE - WATER TUBE FLANGE
4	27-70905	■	1	GASKET, INTAKE MANIFOLD
5	27-70143	■	1	GASKET, MANIFOLD TO CARBURETOR
6	10-68101		7	SCREW, INTAKE MANIFOLD TO HEAD (1 3/8")
7	12-25909		7	WASHER, INTAKE MANIFOLD SCREW
8	72481		1	LEVER, INTERMEDIATE THROTTLE <b>SERIAL 00000000-04886619</b>
	78801		1	LEVER, INTERMEDIATE THROTTLE <b>SERIAL 04886620-09999999</b>
9	12-35950		1	WASHER, INTERMEDIATE THROTTLE STUD
10	12-30164		1	WASHER, INTERMEDIATE THROTTLE STUD
11	11-20110		1	NUT, INTERMEDIATE THROTTLE STUD
12	10-38507		1	SCREW, LEVVER TO INTAKE MANIFOLD (1 5/16")
13	12-20553		1	WASHER, LEVER TO INTAKE MANIFOLD SCREW
14	12-57792		1	WASHER, LEVER TO INTAKE MANIFOLD SCREW
15	27947		1	SWIVEL, LINKAGE
16	64804		1	LINK ROD, LINKAGE
17	63145A1		1	LINK ROD ASSEMBLY, LINKAGE
18	38983		1	SWIVEL, LINKAGE-CARBURETOR
19	12-35950		1	WASHER, SWIVEL LINKAGE-CARBURETOR
20	12-30164		1	WASHER, SWIVEL LINKAGE-CARBURETOR
21	11-20110		1	NUT, SWIVEL LINKAGE - CARBURETOR
22	16-38525		1	STUD, THROTTLE CABLE ANCHOR
23	12-24664		2	WASHER, THROTTLE CABLE ANCHOR STUD
24	11-20664		1	NUT, THROTTLE CABLE ANCHOR STUD
25	10-64969		1	SCREW, THROTTLE STOP
26	11-33122		1	NUT, THROTTLE STOP SCREW
27	32-75317		1	HOSE, MANIFOLD TO WATER PUMP <b>SERIAL 00000000-04487700</b>
	32-76326		1	HOSE, MANIFOLD TO WATER PUMP <b>SERIAL 04487701-09999999</b>
28	54-32780		1	CLAMP, HOSE TO WATER PUMP
29	54-32781		1	CLAMP,HOSE TO INTAKE MANIFOLD
30	32-75318		1	HOSE,INTAKE MAN. TO EXH. MAN. <b>SERIAL 00000000-04487700</b>
	32-76327		1	HOSE, INTAKE MAN. TO EXH. MAN <b>SERIAL 04487701-09999999</b>
31	54-32781		1	CLAMP, HOSE TO INTAKE MANIFOLD
32	54-32780		1	CLAMP, HOSE TO INTAKE MANIFOLD
-	<b>27-74264A1</b>		<b>1</b>	<b>ENGINE GASKET SET</b>

NOTE: When replacing Intake Manifold on engine with Serial #4487700 and below, the following parts must be ordered - 76328A2 (Intake Manifold Assembly), 32-76326 (Hose), & 32-76327(Hose).

■ = COMPONENT OF ENGINE/POWERHEAD GASKET SET (27-74264A 1)

# CARBURETOR ASSEMBLY



# CARBURETOR ASSEMBLY

REF. NO.	PART NO.	SYM.	QTY.	DESCRIPTION
-	1376-5990A1		1	<b>CARBURETOR ASSEMBLY, COMPLETE</b>
1	N.S.S.		1	AIR HORN(NOT SOLD SEPARATELY)
2	N.S.S.		1	POWER PISTON ASSEMBLY (ROCHESTER #7009718)
3		❖ □ >	1	GASKET, AIR HORN
4	10-33043		7	SCREW, AIR HORN TO FLOAT BOWL (SHORT)
5	10-33048		1	SCREW, AIR HORN TO FLOAT BOWL (LONG)
6	13-26996		8	LOCKWASHER, ARI HORN SCREW
7	1397-3330		1	NUT, FUEL INLET-AIR HORN
8	35-53336		1	FILTER, FUEL INLET -AIR HORN
9	24-48143		1	SPRING, FUEL INLET - AIR HORN
10		❖ □ >	1	GASKET, FUEL INLET NUT (LARGE)
11		❖ □ >	1	GASKET, FUEL INLET (SMALL)
12	1397-5837		1	FLOAT ASSEMBLY
13	N.S.S.		1	PIN, HINGE-FLOAT TO AIR HORN (ROCHESTER #7002081)
14		□ >	1	CLIP, HINGE PIN
15		□ >	1	INLET NEEDLE AND SEAT ASSEMBLY
16		❖ □ >	1	GASKET, INLET NEEDLE AND SEAT
17	N.S.S.		1	FLOAT BOWL ASSEMBLY (ROCHESTER #17052724)
18	N.S.S.		1	VENRURI CLUSTER ASSEMBLY, FLOAT BOWL (NOT SOLD SEPARATELY)
19		❖ □ >	1	GASKET, VENTURI CLUSTER
20	N.S.S.		1	SCREW, VENTURI CLUSTER TO FLOAT BOWL (CENTER)-ROCHESTER #70
21		❖ □ >	1	GASKET, VENTURI CLUSTER SCREW (CENTER)
22	N.S.S.		2	SCREW, VENTURI CLUSTER TO FLOAT BOWL (OUTER)-ROCHESTER#70457
23		□ >	1	GUIDE, PUMP DISCHARGE-FLOAT BOWL
24		□ >	1	SPRING, PUMP DISCHARGE-FLAOT BOWL
25		□ >	1	BALL, PUMP DISCHARGE-FLOAT BOWL
26		□	1	POWER VALVE ASSEMBLY, FLOAT BOWL
27		❖ □ >	1	GASKET,POWER VALVE
28	1397-6365		2	JET, FLOAT BOWL (STANDARD)
29	1397-6364		1	LEVER, PUMP - AIR HORN
30	10-33047		1	SCREW, AIR HORN PUMP LEVER
31	N.S.S.		1	PUMP SHAFT AND LEVER ASSEMBLY, AIR HORN (ROCHESTER #7038788)
32	N.S.S.		1	ROD, PUMP (ROCHESTER #7038799)
33		□ >	1	CLIP, RETAINER-PUMP ROD
34		□ >	1	PUMP ASSEMBLY, FLOAT BOWL
35		□ >	1	CLIP, RETAINER-FLOAT BOWL PUMP
36		□	1	SPRING, PUMP RETURN-FLOAT BOWL
37		❖ □ >	1	GASKET, THROTTLE BODY

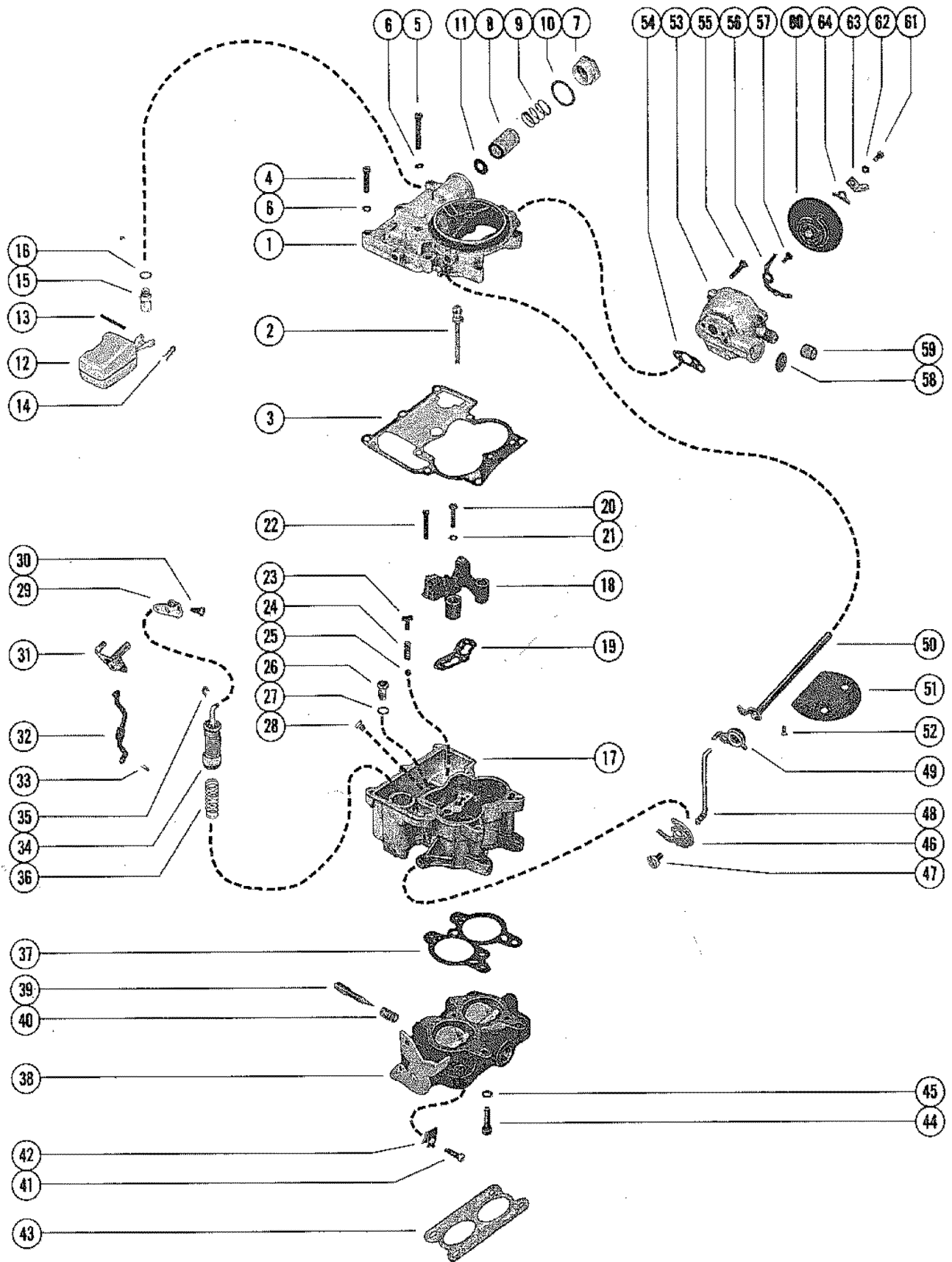
❖ = COMPONENT OF CARBURETOR GASKET SET (1397-6363)

□ = COMPONENT OF CARBURETOR REPAIR KIT (1397-6367)

> = COMPONENT OF POWER CARBURETOR KIT (1397-6362)

CONTINUED ON NEXT PAGE ➡

# CARBURETOR ASSEMBLY



# CARBURETOR ASSEMBLY

REF. NO.	PART NO.	SYM.	QTY.	DESCRIPTION
38	N.S.S.		1	THROTTLE BODY ASSEMBLY (NOT SOLD SEPARATELY)
39		□	2	IDLE ADJUSTING NEEDLE, THROTTLE BODY
40	24-33050		2	SPRING, IDLE ADJUSTING NEEDLE
41	N.S.S.		1	IDLE STOP SCREW, THROTTLE BODY (ROCHESTER #7031547)
42	54-39108		1	CLIP, IDLE STOP SCREW
43	27-70143	■	3	GASKET, CARBURETOR FLANGE
44	10-33052		3	SCREW, THROTTLE BODY TO FLOAT BOWL
45	13-26992		3	LOCKWASHER, THROTTLE BODY SCREW
46	1397-2071		1	CAM, FAST IDLE-FLOAT BOWL
47	10-33042		1	SCREW, FAST IDLE CAM TO FLOAT BOWL
48	N.S.S.		1	ROD,CHOKE(ROCHESTER #7038821)
49	1397-4257		1	CHOKE LEVER AND COLLAR ASSEMBLY, CHOKE SHAFT
50	1397-5840		1	CHOKE SHAFT ASSEMBLY
51	1397-5839		1	VALVE, CHOKE-CHOKE SHAFT
52	10-33045		2	SCREW, CHOKE VALVE TO CHOKE SHAFT
53	1397-5838		1	CHOKE HOUSING ASSEMBLY
54		❖ □ >	1	GASKET, CHOKE HOUSING
55	10-33053		1	SCREW, CHOKE HOUSING TO AIR HORN
56	N.S.S.		1	LEVER ASSEMBLY, CHOKE PISOTN (ROCHESTER #7010051)
57	10-33056		1	SCREW, CHOKE PISOTN LEVER TO CHOKE HOUSING
58	19-33041		1	WELCH PLUG, CHOKE HOUSING
59	22-56772		1	PLUG, CHOKE HOUSING
60	70125		1	COVER, CHOKE
61	10-33047		3	SCREW, CHOKE COVER TO CHOICE HOUSING
62	13-26995		1	LOCKWASHER, CHOKE COVER SCREW
63	86-70879		1	TERMINAL, CHOKE COVER SCREW
64	54-33036		3	RETAINER, CHOKE COVER SCREW
-	<b>1397-6367</b>		<b>1</b>	<b>OVERHAUL KIT</b>
-	<b>1397-6362</b>		<b>1</b>	<b>POWER CARBURETOR KIT</b>
-	<b>1397-6363</b>		<b>1</b>	<b>GASKET KIT</b>

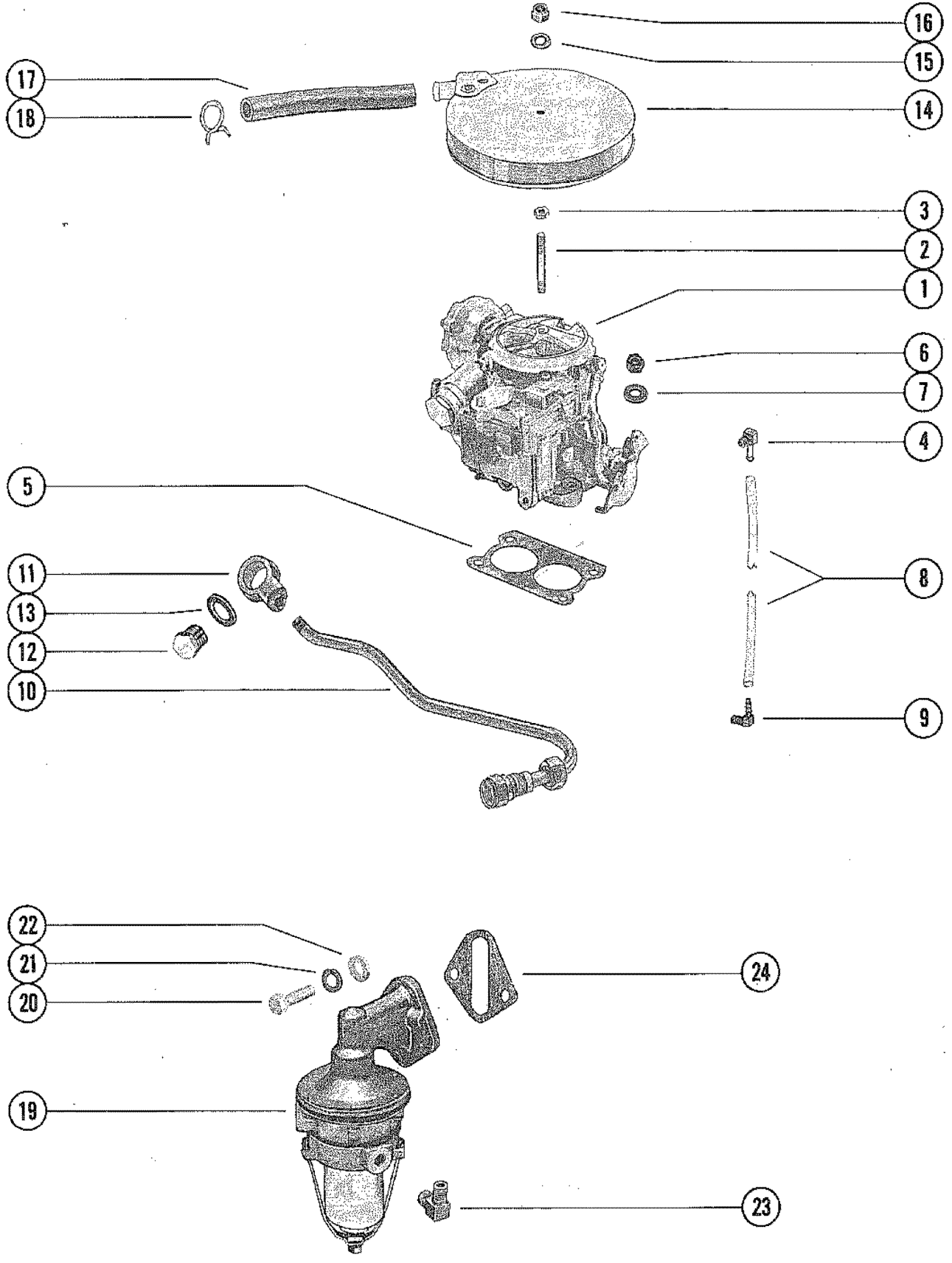
■ = COMPONENT OF ENGINE/POWERHEAD GASKET SET (27-74264A 1)

❖ = COMPONENT OF CARBURETOR GASKET SET (1397-6363)

□ = COMPONENT OF CARBURETOR REPAIR KIT (1397-6367)

> = COMPONENT OF POWER CARBURETOR KIT (1397-6362)

# CARBURETOR ASSEMBLY, FLAME ARRESTOR AND FUEL PUMP



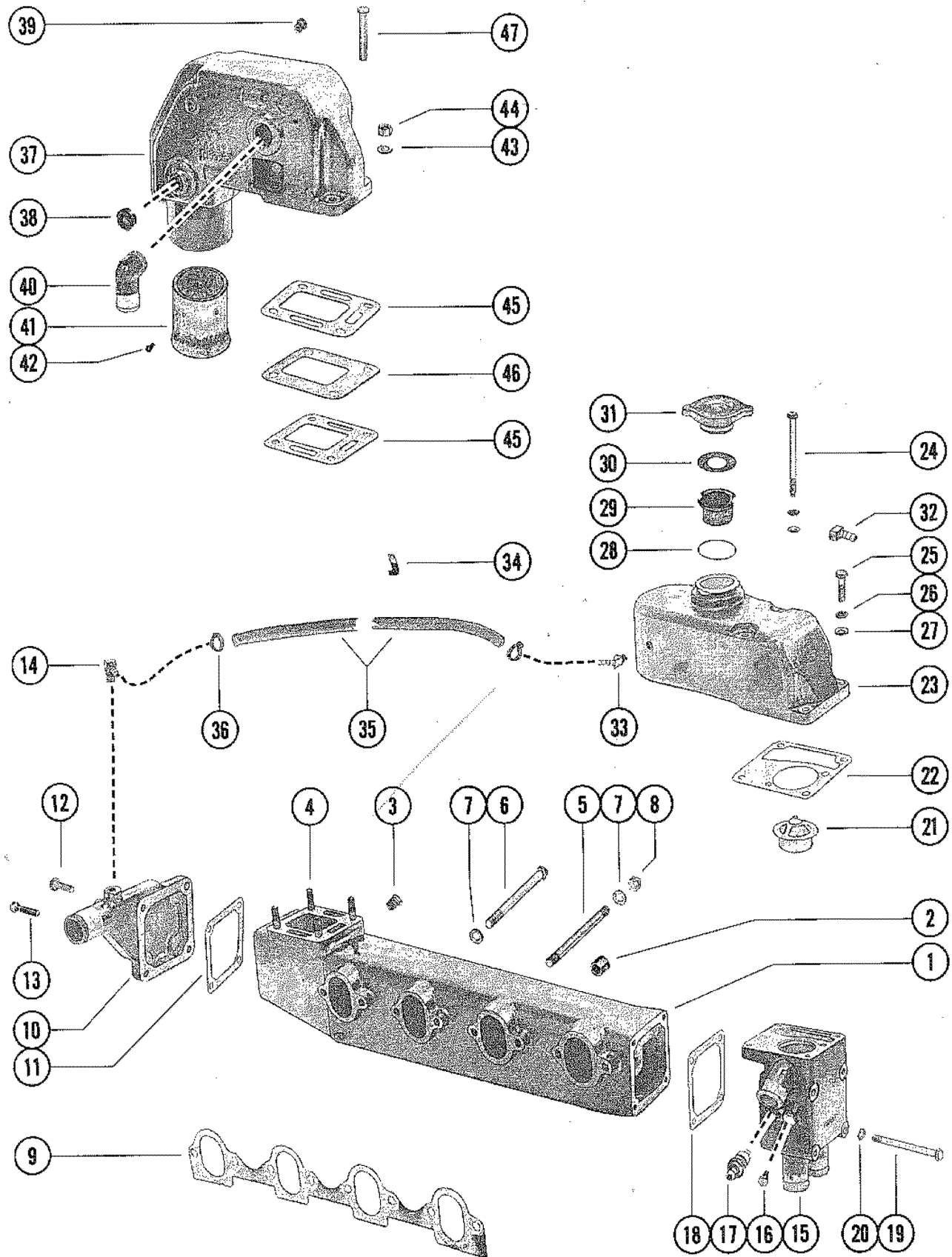
# CARBURETOR ASSEMBLY, FLAME ARRESTOR AND FUEL PUMP

REF. NO.	PART NO.	SYM.	QTY.	DESCRIPTION
1	1376-5990A1		1	CARBURETOR ASSEMBLY
2	16-70878		1	STUD, CARBURETOR-FLAME ARRESTOR (2")
3	11-28941		1	NUT, FLAME ARRESTOR STUD
4	22-54090		1	CONNECTOR, HOSE-CARBURETOR VENT
5	27-70143	■	1	GASKET, CARBURETOR TO INTAKE MANIFOLD
6	11-29250		4	NUT, CARBURETOR TO INTAKE MANIFOLD
7	12-20084		4	WASHER, CARBURETOR TO INTAKE MANIFOLD
8	32-73815--2		1	HOSE, FUEL VENT
9	22-73817		1	FITTING, VENT HOSE TO FUEL PUMP
10	32-76312		1	FUEL LINE(SEE NOTE BELOW)
11	76277		1	FITTING, BANJ9-FUEL LINE
12	22-73808		1	FITTING, FUEL INLET
13	12-74784		2	WASHER, FUEL INLET FITTING
14	70574		1	FLAME ARRESTOR <b>SERIAL 00000000-05097479</b>
15	12-22937		1	WASHER, FLAME ARRESTOR ATTACHING <b>SERIAL 00000000-05097479</b>
14	85784		1	FLAME ARRESTOR <b>SERIAL 05047480-09999999</b>
15	12-86400		1	WAHSER, FLAME ARRESTOR ATTACHING <b>SERIAL 05047480-09999999</b>
16	11-20586		1	NUT, FLAME ARRESTOR ATTACHING
17	32-47996		1	HOSE,FLAME ARRESTOR TO ROCKER COVER
18	54-53101		1	CLIP, HOSE TO FLAME ARRESTOR
19	77594		1	FUEL PUMP <b>SERIAL 00000000-05097479</b>
	86234		1	FUEL PUMP <b>SERIAL 05097480-09999999</b>
-	<b>35-49088</b>		1	<b>FILTER KIT</b>
-	<b>49089</b>		1	<b>DIAPHRAGM KIT</b>
20	10-35386		2	SCREW, FUEL PUMP ATTACHING SCREW
22	12-20546		2	WASHER, FUEL PUMP ATTACHING SCREW
23	22-70584		1	FITTING, ELBOW-FUEL PUMP
24	27-72805		1	GASKET, FUEL PUMP ATTACHING

NOTE: When replacing Fuel Line on engine with Serial #4487700 and below, the following parts must be ordered - 32-76312 (Fuel Line) & 76277(Banjo Fitting).

■ = COMPONENT OF ENGINE/POWERHEAD GASKET SET (27-74264A 1)

# EXHAUST MANIFOLD ASSEMBLY AND EXHAUST ELBOW ASSEMBLY





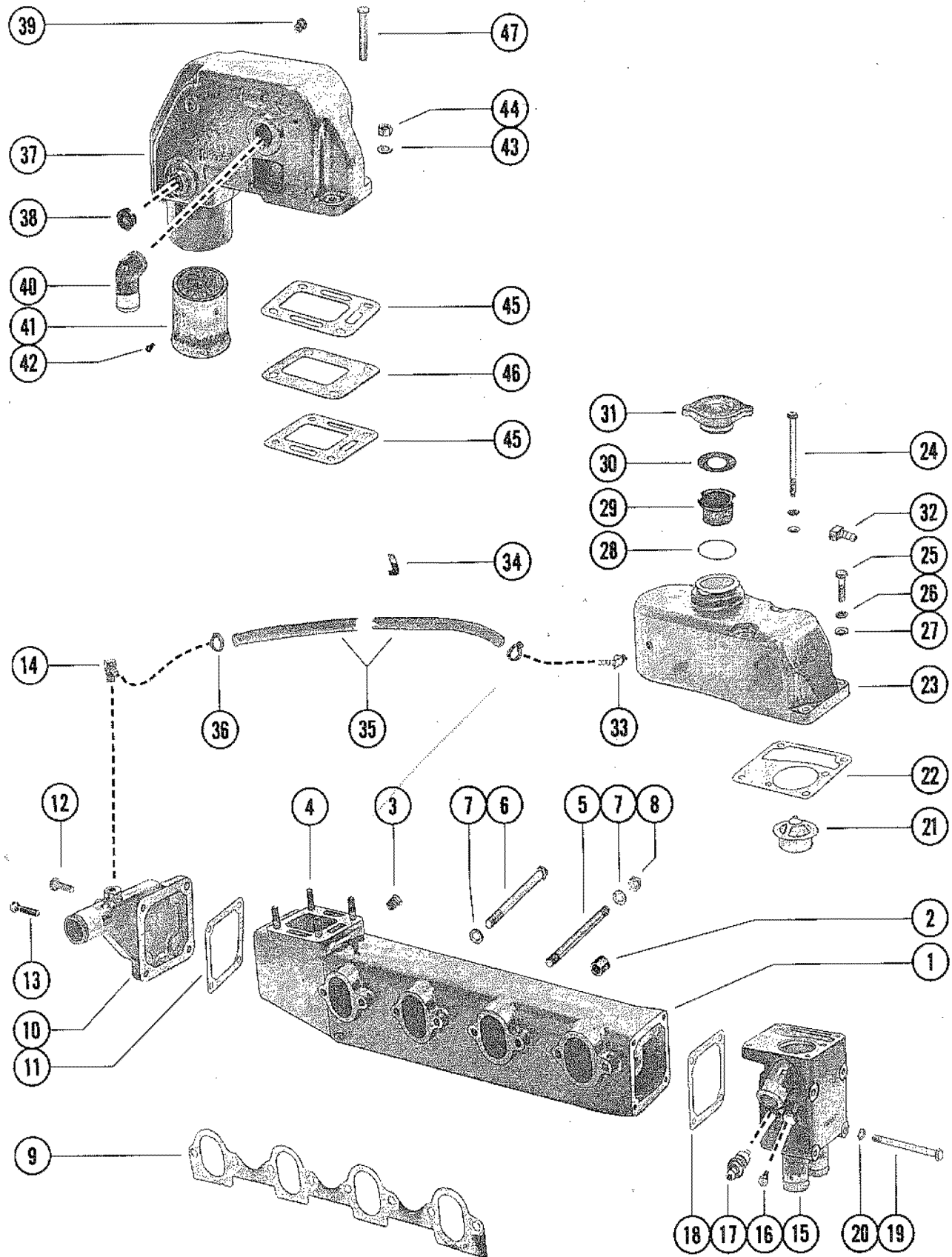
# EXHAUST MANIFOLD ASSEMBLY AND EXHAUST ELBOW ASSEMBLY

REF. NO.	PART NO.	SYM.	QTY.	DESCRIPTION
1	71527A8		1	EXHAUST MANIFOLD ASSEMBLY
2	22-33198		3	PLUG, CORE (3/4-14)
3	22-36382		1	PLUG, DRAIN (1/4-18NPTE
4	16-49545		4	STUD, EXHAUST MANIFOLD TO ELBOW (1 3/4")
5	16-71494		1	STUD, EXHAUST MANIFOLD TO HEAD (6")
	16-77958		1	STUD, EXHAUST MANIFOLD TO HEAD (6 1/2")
6	10-36355		6	SCREW, EXHAUST MANIFOLD TO HEAD (5 1/4")
7	13-35048		8	LOCKWASHER, EXHAUST MANIFOLD ATTACHING
8	11-32219		2	NUT, EXHAUST MANIFOLD ATTACHING STUD
9	27-68715	■	1	GASKET, EXHAUST MANIFOLD TO HEAD
10	71943		1	END CAP, REAR
11	27-48043	■	1	GASKET, END CAP
12	10-24234		3	SCREW, END CAP TO EXHAUST MANIFOLD (1")
13	10-20362		1	SCREW, END CAP TO EXHAUST MANIFOLD (1 1/2")
14	22-75188		1	FITTING, END CAP-BY-PASS HOSE
15	74009		1	THERMOSTATE HOUSING
16	22-32803		1	PLUG, THERMOSTAT HOUSING
17	75669		1	SENDER, WATER TEMPERATURE
18	27-48043	■	1	GASKET, THERMOSTAT HOUSING TO EXHAUST MANIFOLD
19	10-74822		4	SCREW, THERMOSTAT HOUSING TO EXHAUST MANIFOLD (3 1/2")
20	12-36533		4	WASHER, COPPER - THERMOSTAT HOUSING ATTACHING SCREW
21	76270		1	THERMOSTAT
22	27-74830	■	1	GASKET, THERMOSTAT HOUSING TO RESORVOIR
23	74144		1	RESERVOIR
24	10-74826		2	SCREW, RESERVOIR TO THERMOSTAT HOUSING (4")
25	10-53016		2	SCREW, RESERVOIR TO THERMOSTAT HOUSING (1 1/4")
26	13-39107		4	LOCKWASHER, RESERVOIR ATTACHING SCREW
27	12-53705		4	WASHER, RESERVOIR ATTACHING SCREW
28	25-45257	■	1	"O" RING, FILLER BASE
	25-45257		1	"O" RING, FILLER BASE
29	22-58471		1	BASE, FILLER HOLE
30	27-71614		1	GASKET, FILLER HOLE CAP
31	36-55143		1	CAP, FILLER HOLE
32	22-74033		1	ELBWO, OVERFLOW
33	22-76170		1	FITTING, RESEROIR BY-PASS
34	54-64235--1		1	CLAMP, HOSE TO VALVE COVER
35	32-75182		1	HOSE, BY-PASS-RESERVOIR TO REAR END CAP
36	54-75826		2	CLAMP, BY-PASS HOSE ATTACHING
37	60426A1		1	EXHAUST ELBOW ASSEMBLY <b>SERIAL 00000000-04625579</b>
	76325A2		1	EXHAUST ELBOW ASSEMBLY <b>SERIAL 04625580-09999999</b>
38	22-33198		4	PLUG, CORE (3/4-14 NPT)

■ = COMPONENT OF ENGINE/POWERHEAD GASKET SET (27-74264A 1)

CONTINUED ON NEXT PAGE ➡

# EXHAUST MANIFOLD ASSEMBLY AND EXHAUST ELBOW ASSEMBLY

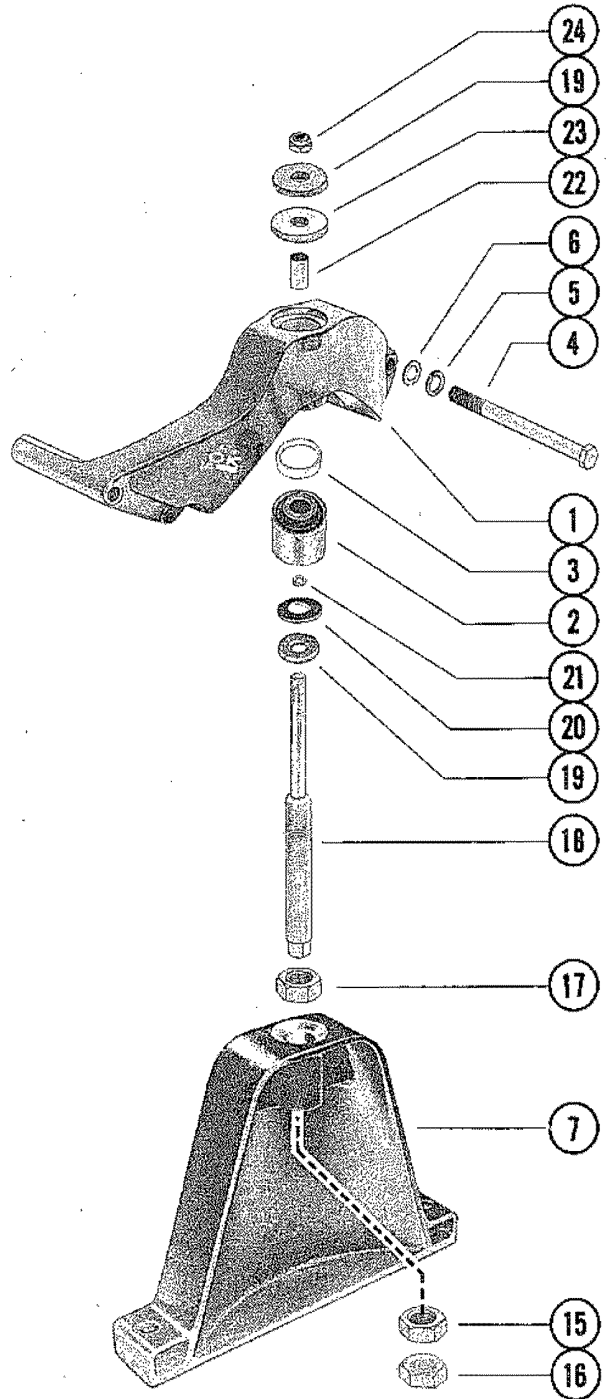
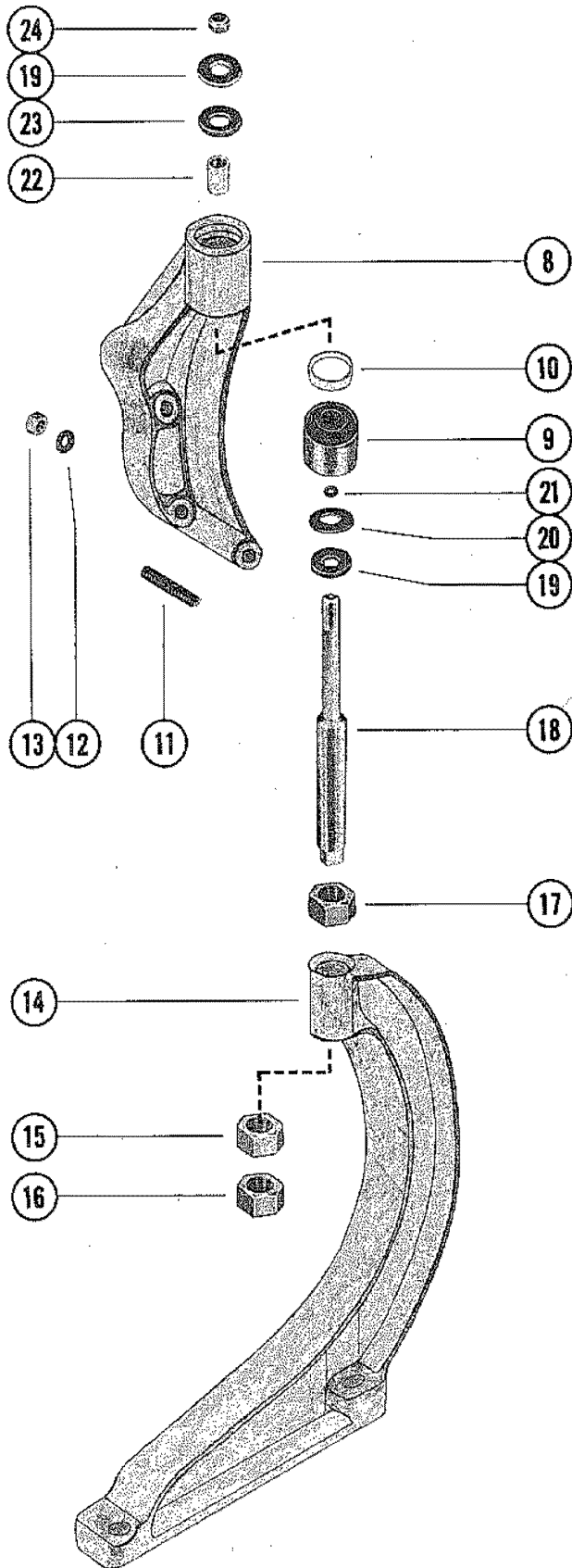


## EXHAUST MANIFOLD ASSEMBLY AND EXHAUST ELBOW ASSEMBLY

REF. NO.	PART NO.	SYM.	QTY.	DESCRIPTION
39	22-32802		1	PLUG, PIPE (1/8-27 NPT)
40	22-36305		1	ELBOW, HEAT EXCHANGER HOSE
41	32-58616A1		1	WATER SEPARATION TUBE ASSEMBLY <b>SERIAL 0000000-04625579</b>
42	10-47828		3	SCEW, WATER SEPARATION TUBE ATTACHING <b>SERIAL 00000000-04625579</b>
43	13-37459		4	LOCKWASHER, ELBOW TO MANIFOLD ATTACHING
44	11-49838		4	NUT, ELBOW TO MANIFOLD ATTACHING
45	27-52076	■	2	GASKET, ELBOW TO MANIFOLD
46	55730		1	PLATE, ELBOW TO MANIFOLD
47	10-72094		2	SCREW, EXHAUST MANIFOLD TO ELBOW <b>SERIAL 04625580-09999999</b>
-	<b>27-74264A1</b>		<b>1</b>	<b>ENGINE GASKET SET</b>

■ = COMPONENT OF ENGINE/POWERHEAD GASKET SET (27-74264A 1)

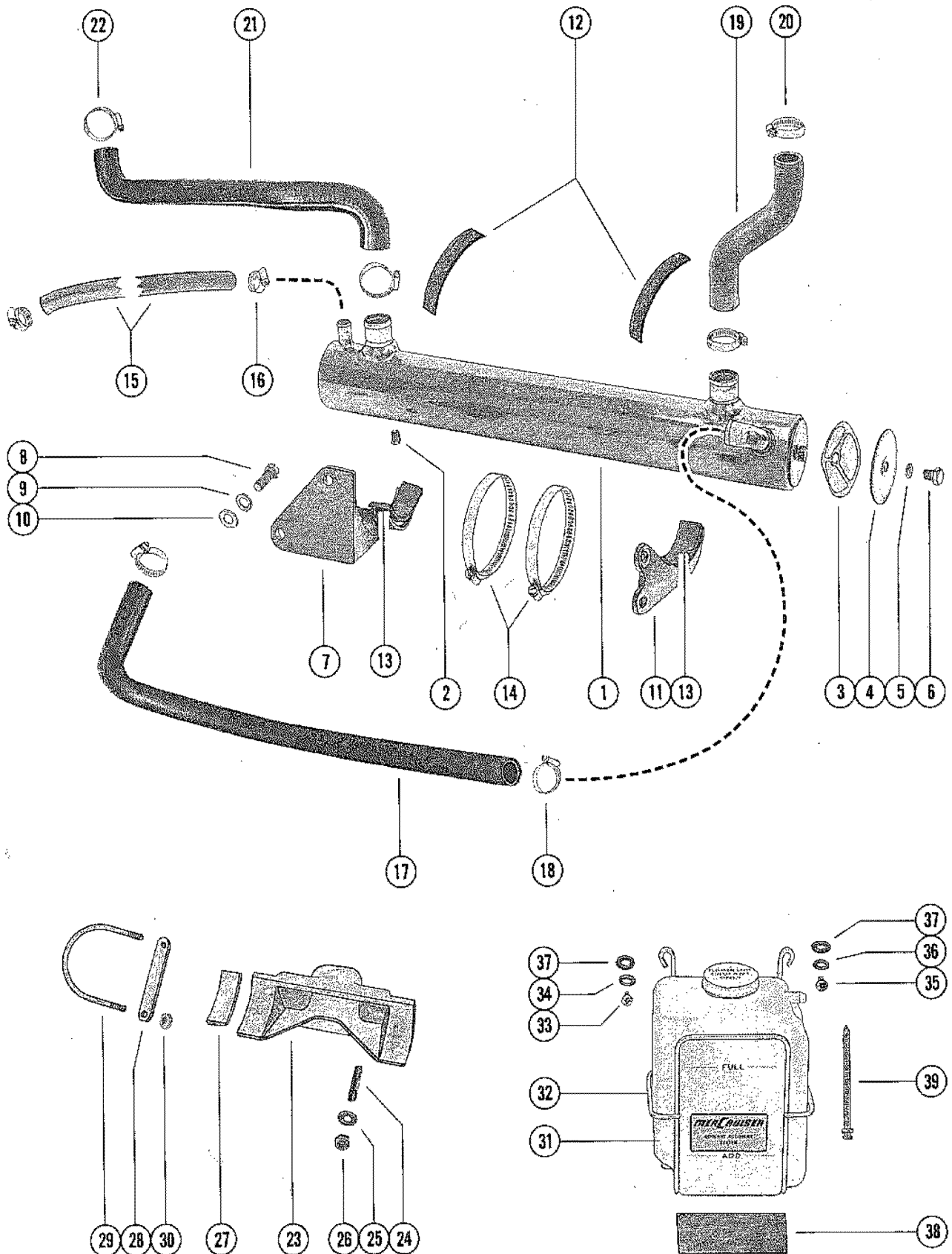
# FRONT MOUNT ASSEMBLY



# FRONT MOUNT ASSEMBLY

REF. NO.	PART NO.	SYM.	QTY.	DESCRIPTION
1	68720A2		1	FRONT MOUNT BRACKET ASSEMBLY SERIAL 00000000-04625579
2	32833		1	MOUNT,RUBBER SERIAL 00000000-04625579
3	23-46742		1	SPACER, RUBBER MOUNT SERIAL 00000000-04625579
4	10-5963		2	SCREW, FRONT MOUNT BRACKET-PORT (6") SERIAL 00000000-04625579
	10-74027		2	SCREW, FORNT MOUNT BRACKET-STBK (5 1/2") SERIAL 00000000-04625579
5	13-32993		4	LOCKWASHER, FRONT MOUNT BRACKET SCREW SERIAL 00000000-04625579
6	12-34567		4	WASHER, FRONT MOUNT BRACKET SCREW SERIAL 00000000-04625579
7	32778		1	MOUNT, FRONT SUPPORT SERIAL 00000000-04625579
8	77877A2		1	FRONT MOUNT BRACKET ASSEMBLY SERIAL 04625580-09999999
10	23-35903		1	SPACER,RUBBER MOUNT SERIAL 04625580-09999999
11	16-56295		1	STUD, MOUNTING BRACKET ATTACHING (UPPER) SERIAL 04625580-09999999
	16-32129		2	STUD, MOUNTING BRACKET ATTACHING (LOWER) SERIAL 04625580-09999999
12	12-34567		3	WASHER, MOUNTING BRACKET STUD SERIAL 04625580-09999999
13	11-34933		1	NUT, MOUNTIN BRACKET STUD SERIAL 04625580-09999999
14	76839		1	MOUNT, FRONT SUPPORT SERIAL 04625580-09999999
15	11-32882		1	NUT, FRONT SUPPORT MOUNT TO ADJUSTING STUD
16	11-47525		1	NUT, FRONT SUPPORT MOUNT TO ADJUSTING STUD
17	11-32882		1	NUT, ADJUSTING STUD (7/8-14)
18	16-36100		1	STUD, ADJUSTING
19	12-36103		2	WASHER, STEEL-UPPER AND LOWER
20	12-32638		1	WASHER, FIBER-ADJUSTINH STUD
21	12-20959		1	WASHER, SPACER-ADJUSTING STUD
22	23-36101		1	SPACER, ADJUSTING STUD
23	12-36104		1	WASHER, FIBER-ADJUSTING STUD
24	11-20220		1	NUT, ADJUSTING STUD (1/2-20)

# HEAT EXCHANGER AND COOLANT RECOVERY ASSEMBLY

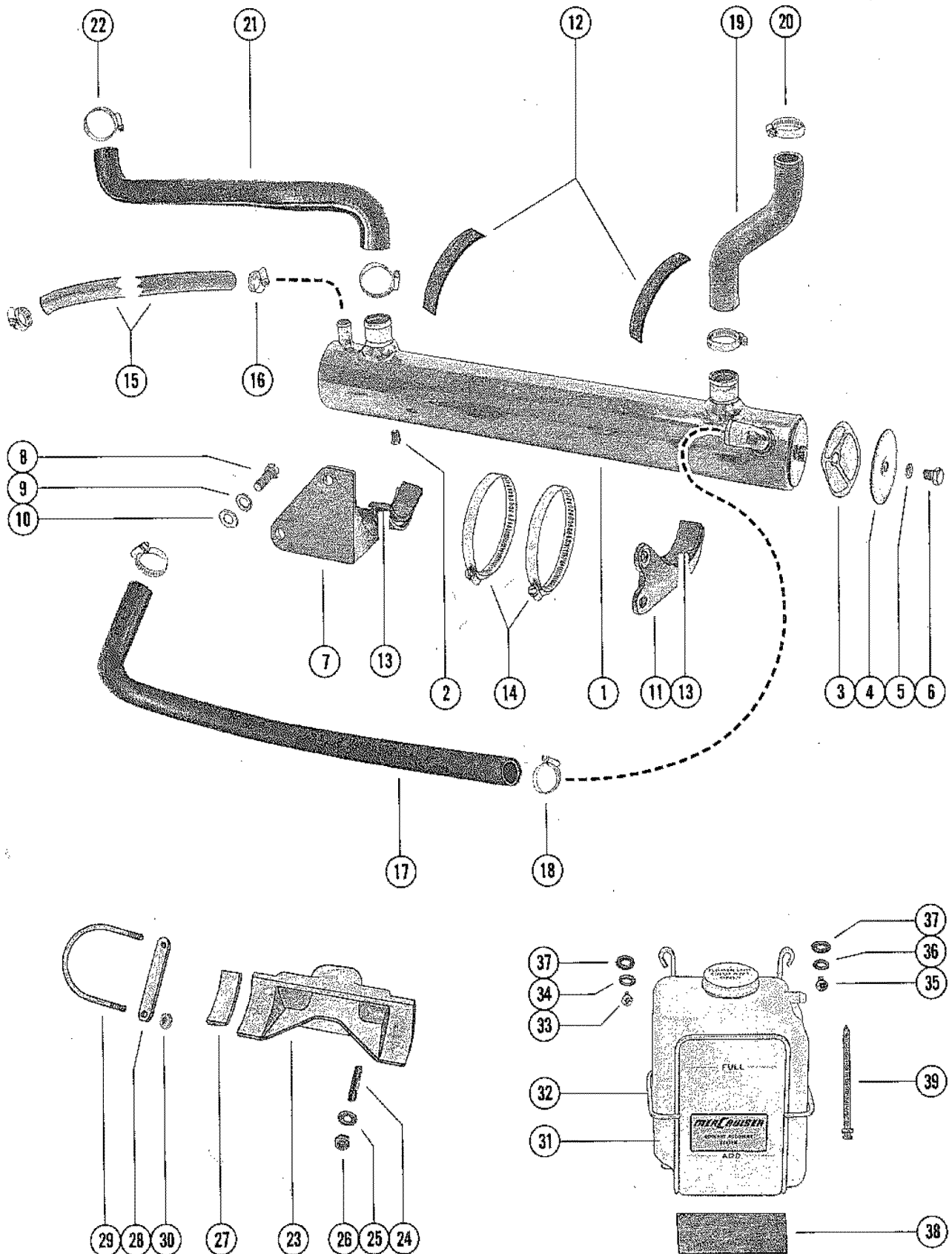


# HEAT EXCHANGER AND COOLANT RECOVERY ASSEMBLY

REF. NO.	PART NO.	SYM.	QTY.	DESCRIPTION
1	75959		1	HEAT EXCHANGER SERIAL 00000000-04625579
	77319		1	HEAT EXCHANGER SERIAL 04625580-09999999
2	22-32802		2	PIPE PLUG, HEAT EXCHANGER
3	27-75450		2	GASKET, END CAP-HEAT EXCHANGER
4	75452		2	PLATE, END CAP-HEAT EXCHANGER
5	12-75451		2	WASHER, END CAP-HEAT EXCHANGER ATTACHING
6	10-25703		2	SCREW, END CAP-HEAT EXCHANGER ATTACHING
7	73744		1	HEAT EXCHANGER-REAR SERIAL 00000000-04625579
8	10-47462		2	SCREW, REAR BRACKET ATTACHING (1 1/4") SERIAL 00000000-04625579
9	13-32993		2	LOCKWASHER, REAR BRACKET ATTACHING SCREW SERIAL 00000000-04625579
10	12-22248		2	WASHER, REAR BRACKET ATTACHING SCREW SERIAL 00000000-04625579
11	74790		1	BRACKET, HEAT EXCHANGER-FRONT SERIAL 00000000-04625579
12	74819		2	PAD, HEAT EXCHANGER-UPPER SERIAL 00000000-04625579
13	76145		2	PAD, HEAT EXCHANGER-LOWER SERIAL 00000000-04625579
14	54-60488		2	CLAMP, HEAT EXCHANGER ATTACHING SERIAL 00000000-04625579
15	32-47642		1	HOSE, DRIVE TO HEAT EXCHANGER SERIAL 00000000-04625579
16	54-32523		2	CLAMP, HOSE ATTACHING SERIAL 00000000-04625579
17	32-74638		1	HOSE, HEAT EXCHANGER TO EXHAUST ELBOW SERIAL 00000000-04625579
18	54-32780		2	CLAMP, HOSE ATTACHING SERIAL 00000000-04625579
19	32-74794		1	HOSE, HEAT EXCHANGER TO EXHAUST MANIFOLD (FRONT) SERIAL 00000000-04625579
20	554-32780		2	CLAMP,HOSE ATTACHING
21	32-74636		1	HOSE, HEAT EXCHANGER TO THERMOSTAT HOUSING SERIAL 00000000-04487700
	32-75960		1	HOSE, HEAT EXCHANGER TO THERMOSTAT HOUSING SERIAL 04487701-04625579
22	54-32780		2	CLAMP, HOSE ATTACHING SERIAL 00000000-04625579
17	32-77332		1	HOSE, HEAT EXCHANGER TO EXHASUT ELBOW SERIAL 04625580-09999999
18	54-32780		2	CLAMP, HOSE ATTACHING SERIAL 04625580-09999999
21	32-77245		1	HOSE, HEAT EXCHANGER TO THERMOSTAT HOUSING (21 3/4") SERIAL 04625580-09999999
	32-77331		1	HOSE,HEAT EXCHANGER TO THERMOSTAT HOUSING (12") SERIAL 04625580-09999999
22	54-32780		4	CLAMP,HOSE ATTACHING SERIAL 04625580-09999999
23	77226		1	BRACKET, HEAT EXCHANGER MOUNTING SERIAL 04625580-09999999
24	16-31632		3	STUD, BRACKET ATTACHING SERIAL 04625580-09999999
25	12-22248		3	WASHER, BRACKET STUD SERIAL 04625580-09999999
26	11-34933		3	NUT, BRACKET STUD SERIAL 04625580-09999999

CONTINUED ON NEXT PAGE ➡

# HEAT EXCHANGER AND COOLANT RECOVERY ASSEMBLY



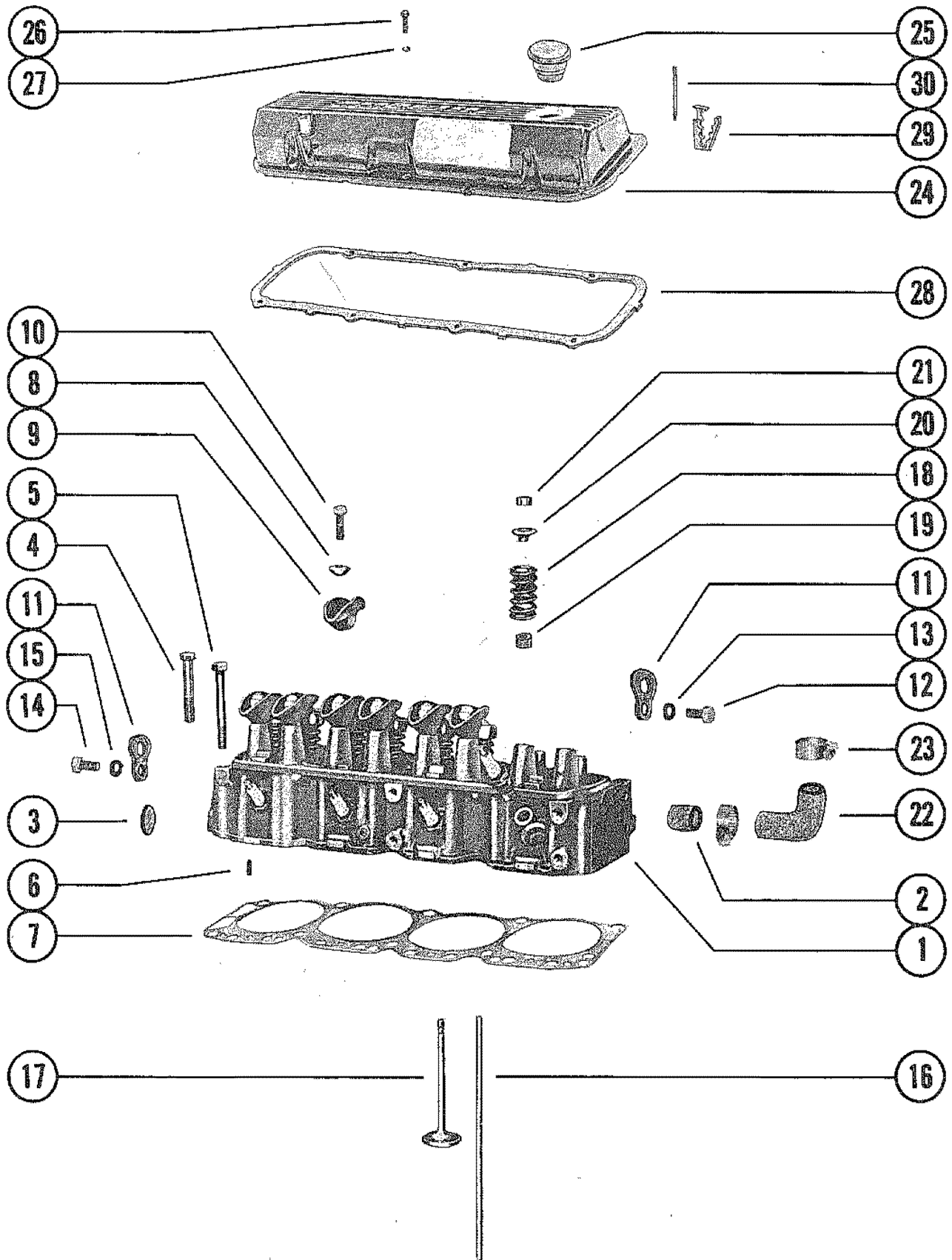


# HEAT EXCHANGER AND COOLANT RECOVERY ASSEMBLY

REF. NO.	PART NO.	SYM.	QTY.	DESCRIPTION
27	77223		2	PAD, MOUNTING BRACKET <b>SERIAL 04625580-09999999</b>
28	77225		2	STRAP, BRACKET TO HEAT EXCHANGER <b>SERIAL 04625580-09999999</b>
29	10-77403		2	"U" BOLT, RACKET TO HEAT EXCHANGER <b>SERIAL 04625580-09999999</b>
30	11-26484		4	N1T, "U" BOLT ATTACHING <b>SERIAL 04625580-09999999</b>
31	71587		1	BOTTLE, COOLANT RECOVERY
32	76276		1	BRACKET, BOTTLE
33	10-20359		1	SCREW, BRACKET TO HEAD-PORT (3/8-16X1")
34	13-35048		1	LOCKWASHER, BRACKET ATTACHING SCREW
35	10-47461		1	SCREW, BRACKET TO HEAD, STBD. (7/16-14X1)
36	13-37272		1	LOCKWASHER, BRACKET ATTACHING SCREW
37	12-27339		2	WASHER, BRACKET ATTACHING SCREW
38	67467		1	PAD, BOTTLE MOUNTING
39	61990		3	STA-STRAP, HOSE ATTACHING

NOTE: When replacing Heat Exchanger on engine with Serial #4487700 and below, the following parts must be ordered - 75959 (Heat Exchanger) & 32-75960 (Hose).

# CYLINDER HEAD ASSEMBLY AND ROCKER COVER



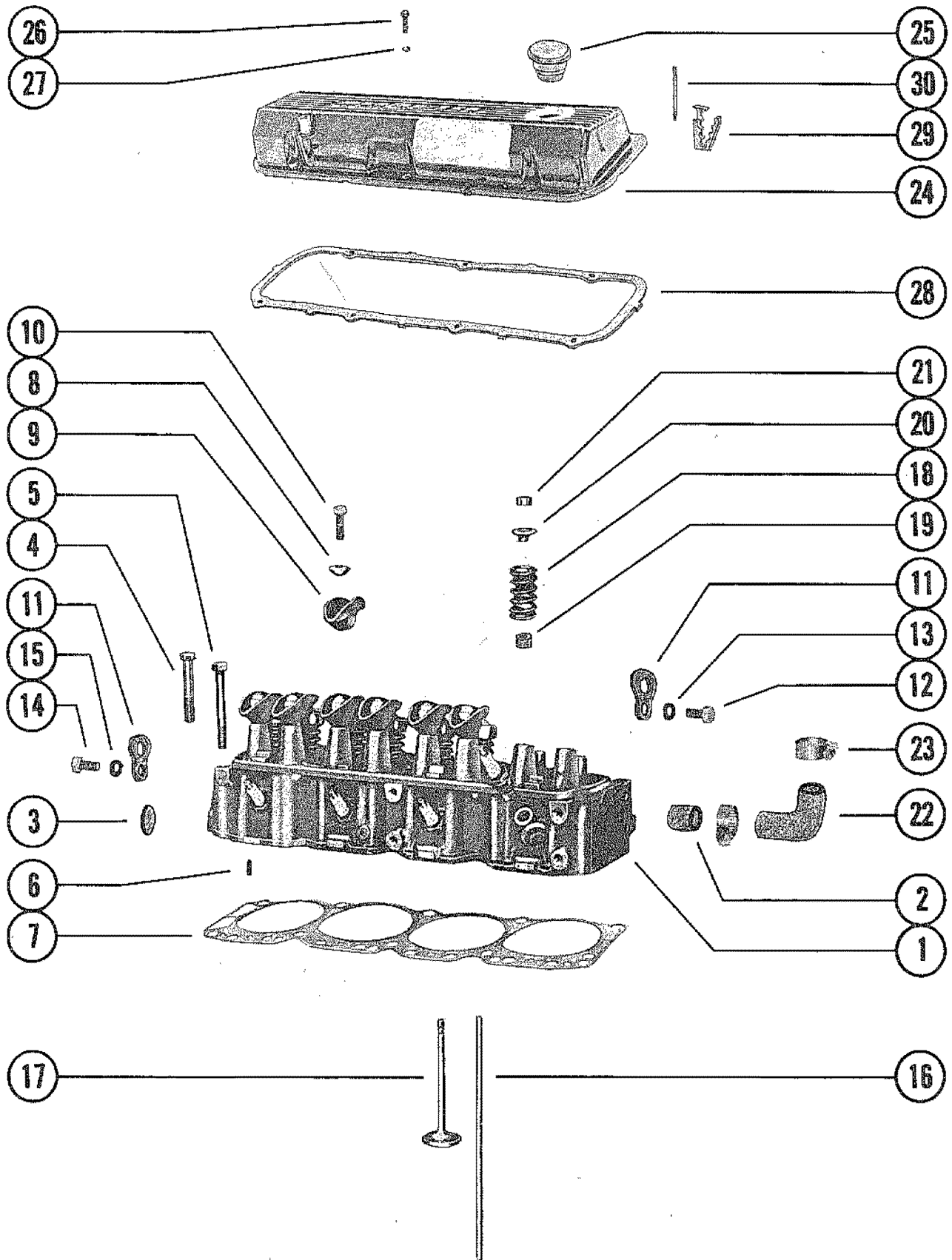
# CYLINDER HEAD ASSEMBLY AND ROCKER COVER

REF. NO.	PART NO.	SYM.	QTY.	DESCRIPTION
1	966-6187A4		1	CYLINDER HEAD ASSEMBLY
2	23-72119		1	SLEEVE, WATER
3	19-74832		2	PLUG
4	10-67503		5	SCREW, CYLINDER HEAD ATTACHING (4 3/8")
5	10-72769		5	SCREW, CYLINDER HEAD ATTACHING (5 1/8")
6	17-67489		2	PIN, CYLINDER HEAD
7	27-74264		1	GASKET, CYLINDER HEAD <b>SERIAL 00000000-05149601</b>
	27-79986		1	GASKET, CYLINDER HEAD <b>SERIAL 05149602-09999999</b>
8	67504		8	BALL UNIT, ROCKER COVER
9	67505		8	ARM, ROCKER VALVE
10	10-67506		8	SCREW ROCKER ARM
11	54-72531		2	LIFTING EYE
12	10-48948		1	SCREW, LIFTING EYE ATTACHING - FRONT (7/16-14X7/8") <b>SERIAL 00000000-04625579</b>
13	13-32993		1	LOCKWASHER, LIFTING EYE SCREW <b>SERIAL 00000000-04625579</b>
14	10-21077		1	SCREW, LIFTING EYE ATTACHING-REAR (3/8-16X7/8") <b>SERIAL 00000000-04625579</b>
12	10-68101		1	SCREW, LIFTING EYE-FRONT (3/8-1 3/8") <b>SERIAL 04886620-09999999</b>
13	12-25909		1	WASHER, LIFTING EYE SCREW <b>SERIAL 04886620-09999999</b>
14	10-74826		1	SCREW, LIFTING EYE-REAR (5/16-4") <b>SERIAL 04886620-09999999</b>
15	13-35048		1	LOCKWASHER, LIFTING EYE SCREW
16	67502--5		8	PUSH ROD, VALVE-STD
	67502--3		AR	PUSH ROD, VALVE (.030 U.S.)
	67502--4		AR	PUSH ROD, VALVE (.030 O.S.)
17	75414		4	VALVE, EXHAUST-STD
	75415		AR	VALVE, EXHAUST (.015 O.S.)
	75416		4	VALVE, INTAKE-STD
	75417		AR	VALVE, INTAKE (.015 O.S.)
18	24-75411		8	VALVE SPRING
19	26-75413		8	SEAL, VALVE STEM
20	75412		8	RETAINER, VALVE SPRING
21	28-56162		16	KEY, VALVE STEM
22	32-74767		2	HOSE, SLEEVE TO RESERVOIR
23	54-32780		2	CLAMP, HOSE ATTACHING
24	71303		1	ROCKER VALVE COVER <b>SERIAL 00000000-04625579</b>
	77681		1	ROCKER VALVE COVER <b>SERIAL 04625580-09999999</b>
25	36-75336		1	CAP, OIL FILLER

■ = COMPONENT OF ENGINE/POWERHEAD GASKET SET (27-74264A 1)

CONTINUED ON NEXT PAGE ➡

# CYLINDER HEAD ASSEMBLY AND ROCKER COVER

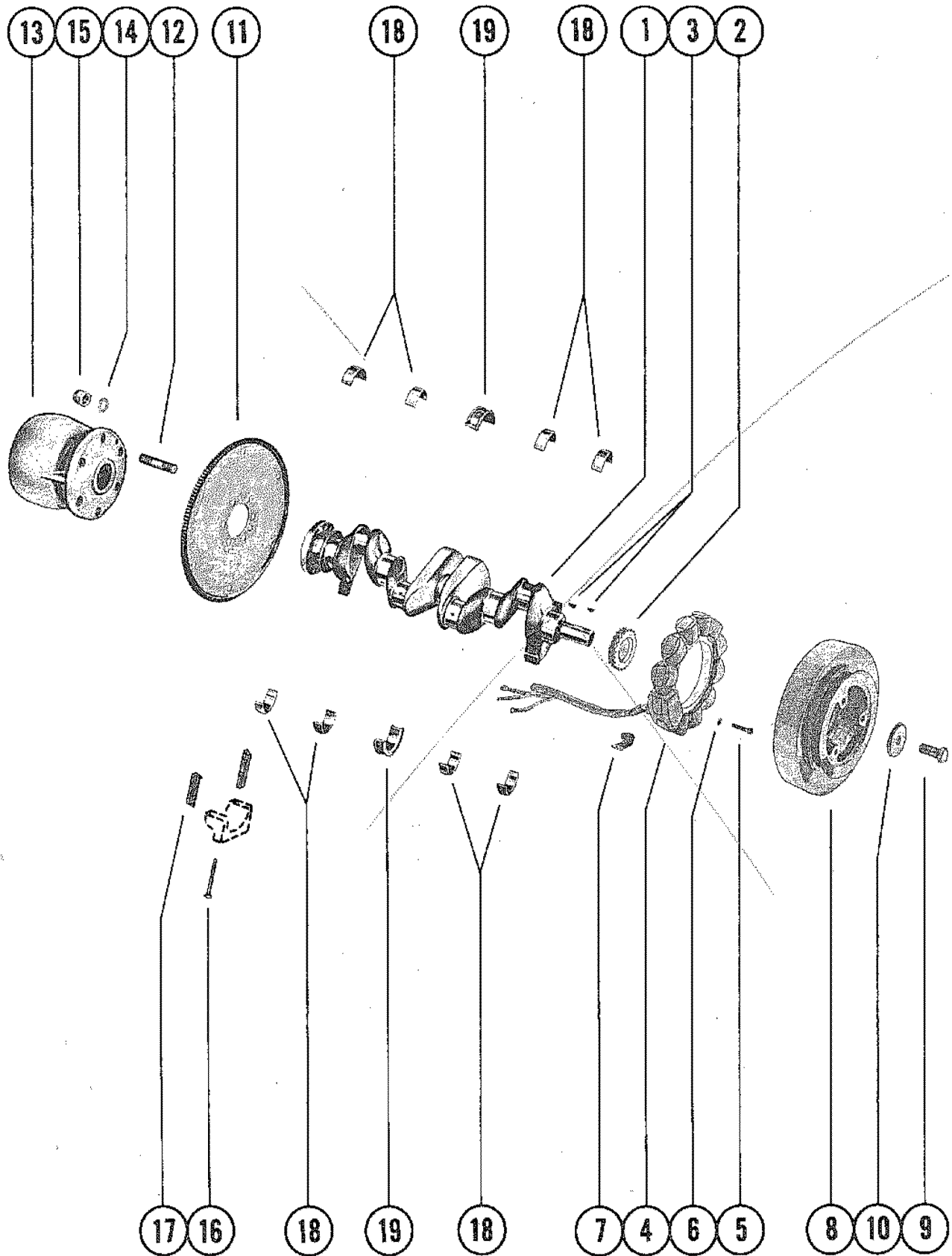


## CYLINDER HEAD ASSEMBLY AND ROCKER COVER

REF. NO.	PART NO.	SYM.	QTY.	DESCRIPTION
26	10-35585		7	SCREW, ROCKER COVER ATTACHING (1/4-20X3/4")
27	13-22773		7	LOCKWASHER, ROCKER COVER SCREW
28	27-73666	■	1	GASKET, ROCKER COVER
29	54-72821		1	CLAMP,HIGH TENSION LEAD
30	16-73583		1	STUD,CLAMP TO CYLINDER HEAD (2 11/16")

■ = COMPONENT OF ENGINE/POWERHEAD GASKET SET (27-74264A 1)

# CRANKSHAFT, FLYWHEEL AND ALTERNATOR ASSEMBLY

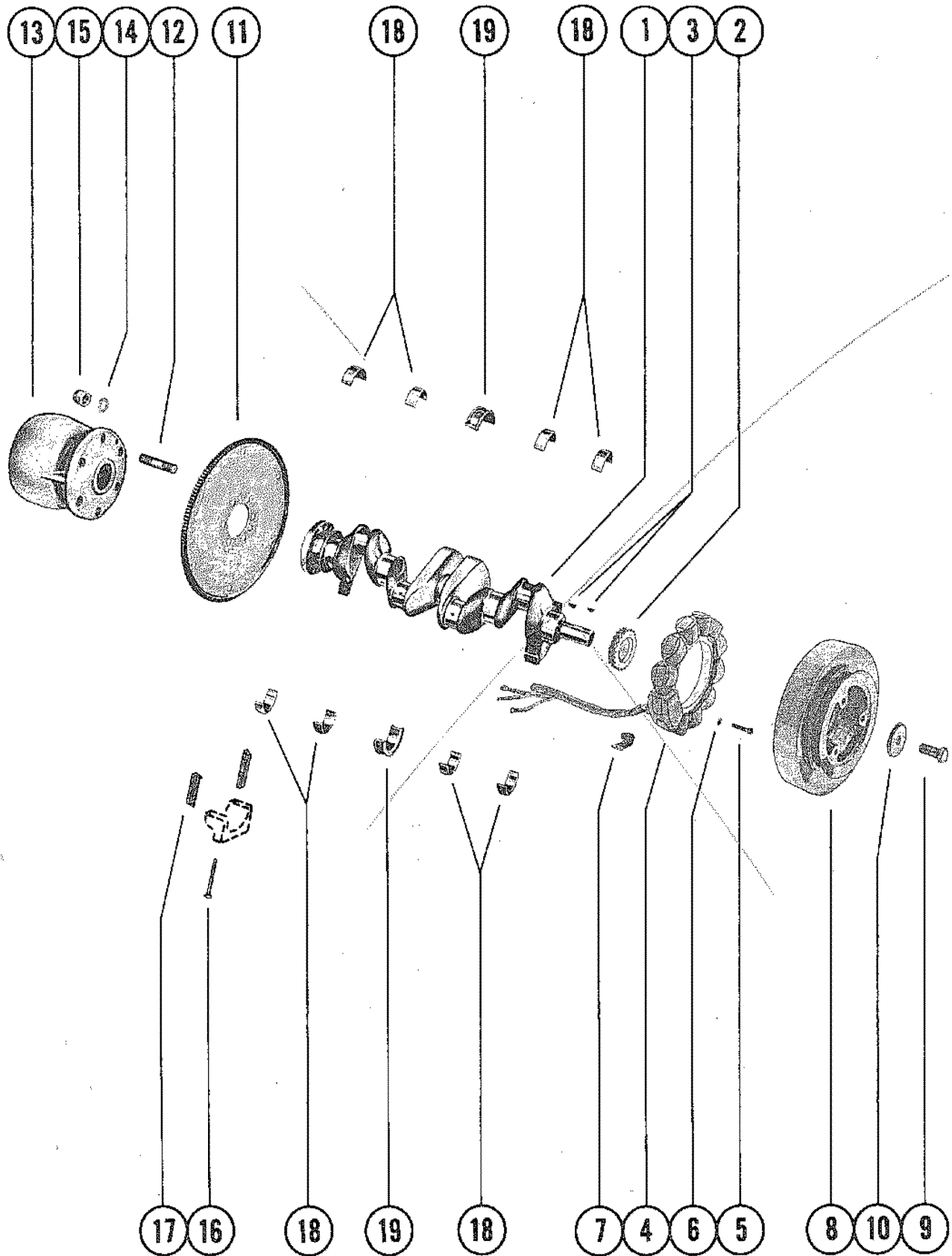


# CRANKSHAFT, FLYWHEEL AND ALTERNATOR ASSEMBLY

REF. NO.	PART NO.	SYM.	QTY.	DESCRIPTION
1	456-5327		1	CRANKSHAFT (SERIAL AND BELOW) <b>SERIAL 00000000-04625579</b>
	456-6092		1	CRANKSHAFT (SERIAL AND UP) <b>SERIAL 04625580-09999999</b>
2	68700		1	SPROCKET, CRANKSHAFT
3	28-67382		2	KEY, SPROCKET AND ALTERNATOR
4	398-6231A2		1	STATOR ASSEMBLY, ALTERNATOR <b>SERIAL 00000000-04625579</b>
5	10-52034		5	SCREW, STATOR TO FRONT COVER (1 1/4") <b>SERIAL 00000000-04625579</b>
6	13-26996		5	LOCKWASHER, STATOR TO COVER SCREW <b>SERIAL 00000000-04625579</b>
4	398-6231A5		1	STATOR ASSEMBLY, ALTERNATOR <b>SERIAL 04625580-05120244</b>
5	10-77363		5	SCREW, STATOR TO FRONT COVER (1 1/2") <b>SERIAL 04625580-05120244</b>
6	13-26996		5	LOCKWASHER, STATOR TO COVER SCREW <b>SERIAL 04625580-05120244</b>
4	398-6231A6		1	STATOR ASSEMBLY, ALTERNATOR <b>SERIAL 05120245-09999999</b>
5	10-77363		5	SCREW, STATOR TO FRONT COVER (1 1/2") <b>SERIAL 05120245-09999999</b>
6	13-26996		5	LOCKWASHER, STATOR TO COVER SCREW <b>SERIAL 05120245-09999999</b>
7	54-73667		1	"J" CLIP, ALTERNATOR LEAD ATTACHING
8	70902A2		1	ALTERNATOR ASS"Y, FLYWHEEL <b>SERIAL 00000000-04625579</b>
	77180A1		1	ALTERNATOR ASS"Y, FLYWHEEL <b>SERIAL 04625580-09999999</b>
9	10-59644		1	SCREW, ALTERNATOR ASSEMBLY ATTACHING (1 3/8")
10	12-36103		1	WASHER, ALTERNATOR ASSEMBLY ATTACHING SCREW
11	251-6101		1	FLYWHEEL
12	16-32808		6	STUD, FLYWHEEL TO COUPLING
13	69354A2		1	COUPLING ASSEMBLY
14	12-32648		6	WASHER, FLYWHEEL TO COUPLING STUD
15	11-34933		6	NUT, FLYWHEEL TO COUPLING STUD
16	10-74335		10	SCREW, MAIN BEARING CAPS
17	68750		2	SEAL, REAR BEARING CAP
18	74313A1		4	MAIN BEARING ASSEMBLY (STD.) <b>WHEN ORDERING REPLACEMENT BEARINGS REFER TO M/C SERVICE MANUAL 90-67795 SEC. 5 PART D.</b>

CONTINUED ON NEXT PAGE ➡

# CRANKSHAFT, FLYWHEEL AND ALTERNATOR ASSEMBLY

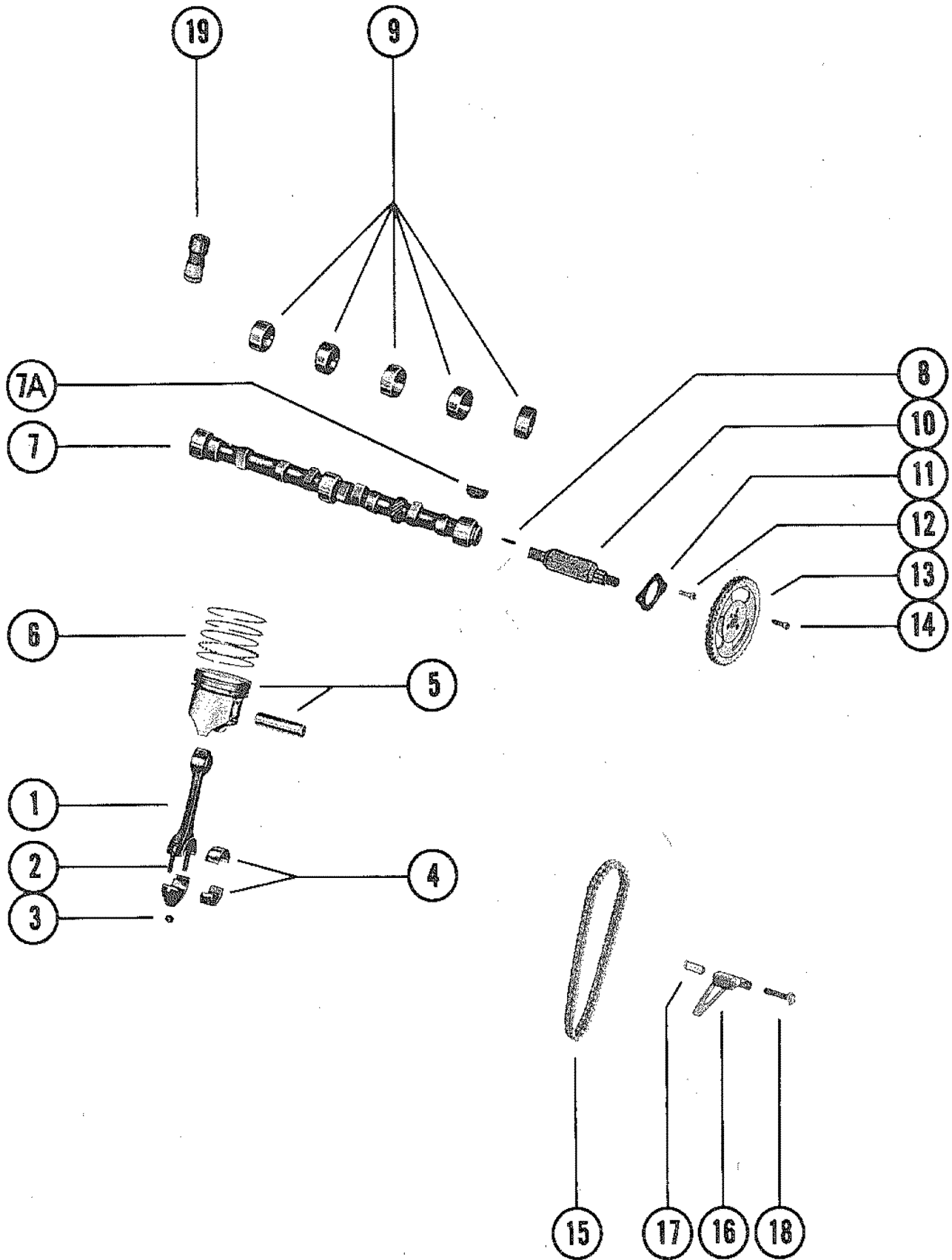




# CRANKSHAFT, FLYWHEEL AND ALTERNATOR ASSEMBLY

REF. NO.	PART NO.	SYM.	QTY.	DESCRIPTION
18	74313A2		AR	MAIN BEARING ASSEMBLY (.002 U.S.) WHEN ORDERING REPLACEMENT BEARINGS REFER TO M/C SERVICE MANUAL 90-67795 SEC. 5 PART D.
	74313A3		AR	MAIN BEARING ASSEMBLY (.020 U.S.) WHEN ORDERING REPLACEMENT BEARINGS REFER TO M/C SERVICE MANUAL 90-67795 SEC. 5 PART D.
19	74314A1		1	CENTER MAIN BEARING ASS'Y (STD.) WHEN ORDERING REPLACEMENT BEARINGS REFER TO M/C SERVICE MANUAL 90-67795 SEC. 5 PART D.
	74314A3		AR	CENTER MAIN BEARING ASS"Y (.020 U.S.) WHEN ORDERING REPLACEMENT BEARINGS REFER TO M/C SERVICE MANUAL 90-67795 SEC. 5 PART D.
	74314A3		AR	CENTER MAIN BEARING ASS'Y (.020 U.S.) WHEN ORDERING REPLACEMENT BEARINGS REFER TO M/C SERVICE MANUAL 90-67795 SEC. 5 PART D.

# CAMSHAFT AND PISTON ASSEMBLY

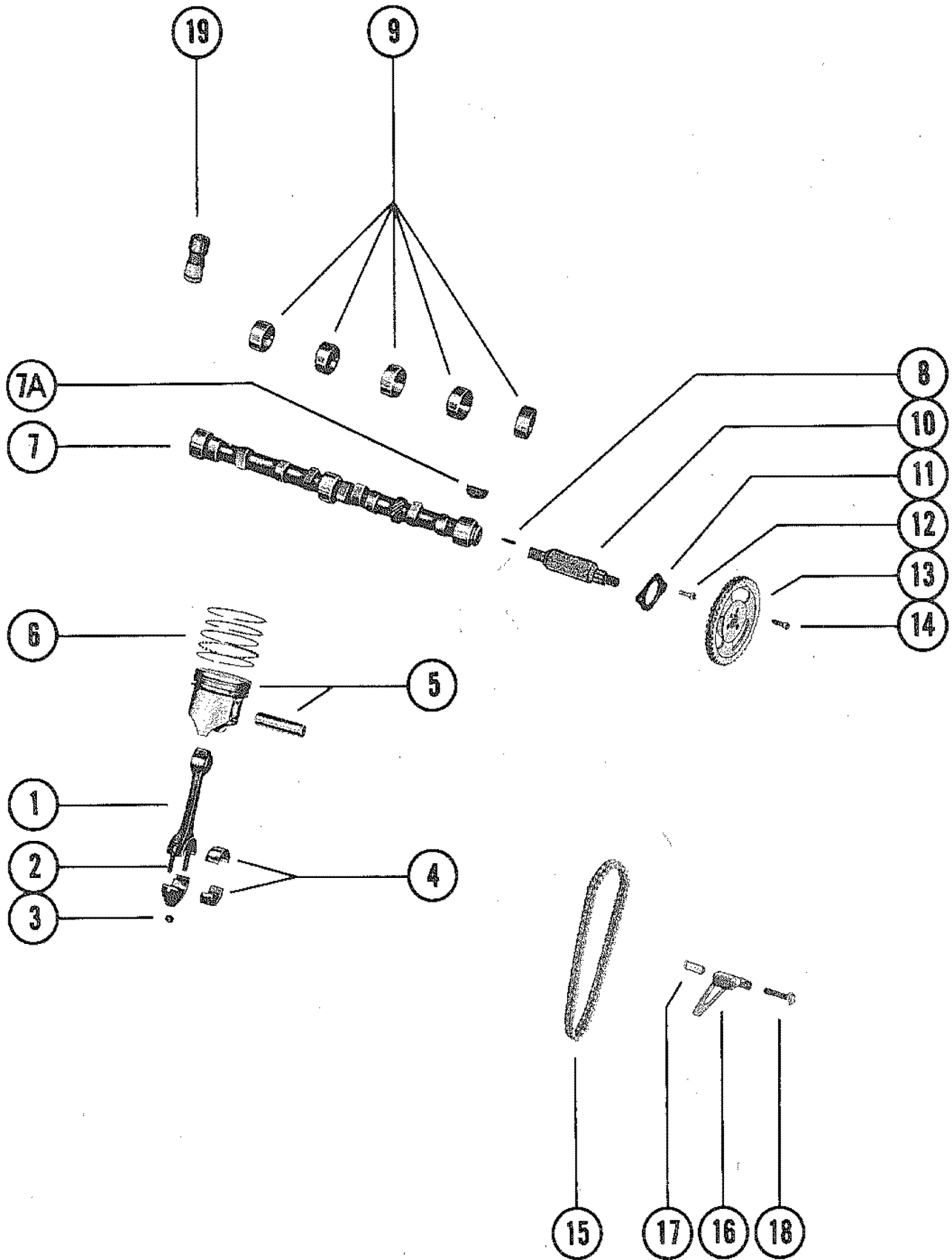


# CAMSHAFT AND PISTON ASSEMBLY

REF. NO.	PART NO.	SYM.	QTY.	DESCRIPTION
1	628-6100		4	CONNECTING ROD ASSEMBLY
2	10-75444		8	SCREW, CONNECTING ROD CAP ATTACHING
3	11-64769		8	NUT, CONNECTING ROD CAP ATTACHING
4	68704A1		4	BEARING, CONNECTING ROD (STD.) <b>WHEN ORDERING REPLACEMENT BEARINGS REFER TO M/C SERVICE MANUAL 90-67795 SEC. 5 PART D.</b>
	68704A2		AR	BEARING, CONNECTING ROD (.002 U.S.) <b>WHEN ORDERING REPLACEMENT BEARINGS REFER TO M/C SERVICE MANUAL 90-67795 SEC. 5 PART D.</b>
	68704A3		AR	BEARING, CONNECTING ROD (.020 U.S.) <b>WHEN ORDERING REPLACEMENT BEARINGS REFER TO M/C SERVICE MANUAL 90-67795 SEC. 5 PART D.</b>
5	759-5920-10		4	PISTON ASSEMBLY (STD.) <b>WHEN ORDERING REPLACEMENT BEARINGS REFER TO M/C SERVICE MANUAL 90-67795 SEC. 5 PART D.</b>
	759-5920-11		AR	PISTON ASSEMBLY (.005 O.S.) <b>WHEN ORDERING REPLACEMENT BEARINGS REFER TO M/C SERVICE MANUAL 90-67795 SEC. 5 PART D. SERIAL 00000000-04625579</b>
	759-5920-11		AR	PISTON ASSEMBLY (.005 O.S.) <b>WHEN ORDERING REPLACEMENT BEARINGS REFER TO M/C SERVICE MANUAL 90-67795 SEC. 5 PART D. SERIAL 00000000-04625579</b>
	759-5920-12		4	PISTON ASSEMBLY (.030 O.S.) <b>WHEN ORDERING REPLACEMENT BEARINGS REFER TO M/C SERVICE MANUAL 90-67795 SEC. 5 PART D. SERIAL 00000000-04625579</b>
	759-6610-10		AR	PISTON ASSEMBLY (STD.) <b>WHEN ORDERING REPLACEMENT BEARINGS REFER TO M/C SERVICE MANUAL 90-67795 SEC. 5 PART D. SERIAL 04625580-09999999</b>
	759-6610-11		AR	PISTON ASSEMBLY (.005 O.S.) <b>WHEN ORDERING REPLACEMENT BEARINGS REFER TO M/C SERVICE MANUAL 90-67795 SEC. 5 PART D. SERIAL 04625580-09999999</b>
	759-6610-12		AR	PISTON ASSEMBLY (.030 O.S.) <b>WHEN ORDERING REPLACEMENT BEARINGS REFER TO M/C SERVICE MANUAL 90-67795 SEC. 5 PART D. SERIAL 04625580-09999999</b>
6	39-75422		4	RING, PISTON (STD.)
	39-75423		AR	RING, PISTON (.030 O.S.)
7	462-6102A1		1	CAMSHAFT ASSEMBLY <b>SERIAL 00000000-05195053</b>
8	17-72511		1	PIN, CAMSHAFT <b>SERIAL 00000000-05195053</b>
7	462-7416		1	CAMSHAFT ASSEMBLY <b>SERIAL 05195054-09999999</b>
7A	28-86466		1	KEY, CAMSHAFT ASSEMBLY <b>SERIAL 05195054-09999999</b>
9	23-67484		5	BEARING, CAMSHAFT - OPTIONAL <b>WHEN ORDERING REPLACEMENT BEARINGS REFER TO M/C SERVICE MANUAL 90-67795 SEC. 5 PART D.</b>
10	72939		1	SHAFT, EXTENSION <b>SERIAL 00000000-05195053</b>
11	67492		1	THRUST PLATE, CAMSHAFT
12	10-49668		2	SCREW, TRUST PLATE ATTACHING (3/4")
13	68708		1	SPROCKET, CAMSHAFT <b>SERIAL 00000000-05189437</b>
	86461		1	SPROCKET, CAMSHAFT <b>SERIAL 05189438-09999999</b>
14	10-70084		3	SCREW, SPROCKET TO CAMSHAFT (1")

CONTINUED ON NEXT PAGE ➡

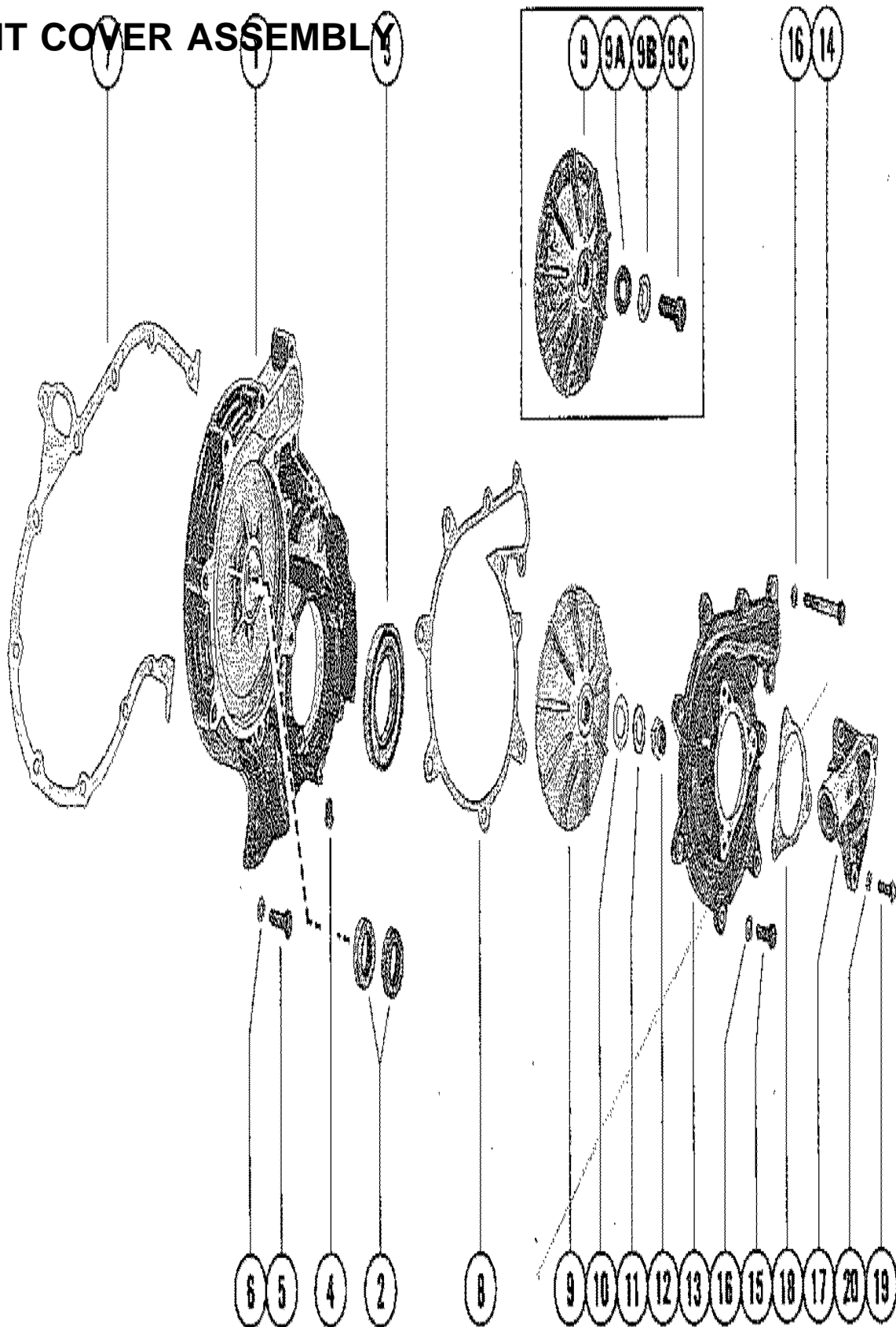
# CAMSHAFT AND PISTON ASSEMBLY



## CAMSHAFT AND PISTON ASSEMBLY

REF. NO.	PART NO.	SYM.	QTY.	DESCRIPTION
15	68717A1		1	CHAIN, TIMING
16	75202		1	TENSIONER, CHAIN
17	23-75087		1	BUSHING, CHAIN TENSIONER
18	10-75206		1	SCREW, CHAIN TENSIONER ATTACHING (1 3/4")
19	56153		8	TAPPET

# FRONT COVER ASSEMBLY

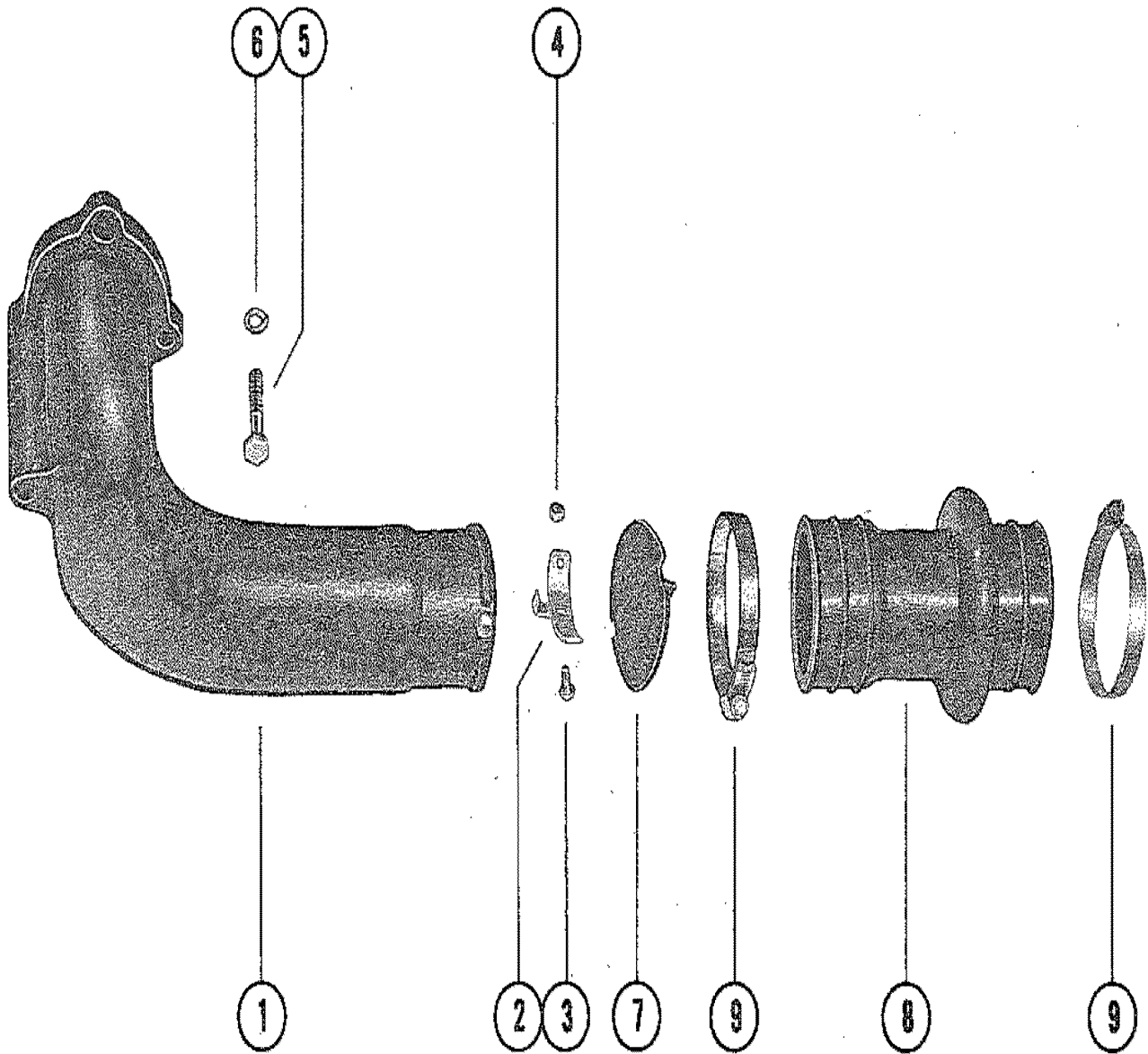


## FRONT COVER ASSEMBLY

REF. NO.	PART NO.	SYM.	QTY.	DESCRIPTION
1	71903A2		1	FRONT COVER ASSEMBLY
2	26-33144	■	2	SEAL, WATER PUMP
3	26-67388	■	1	SEAL, FRONT
4	22-32802		1	PIPE PLUG, DRAIN
5	10-24234		5	SCREW, FRONT COVER TO CYLINDER BLOCK (1")
6	12-20084		5	WASHER, FRONT COVER TO CYLINDER BLOCK SCREW
7	27-68714	■	1	GASKET, FRONT COVER TO CYLINDER BLOCK
8	27-72099	■	1	GASKET, IMPELLER COVER TO FRONT COVER
9	47-71905		1	IMPELLER, WATER PUMP <b>SERIAL 00000000-05195053</b>
10	15-72967		1	SHIM, IMPELLER ATTACHING SERIAL AND BELOW <b>SERIAL 00000000-05195053</b>
11	12-72930		1	WASHER, IMPELLER ATTACHING <b>SERIAL 00000000-05195053</b>
12	11-72966		1	NUT, IMPELLER ATTACHING <b>SERIAL 00000000-05195053</b>
9	47-86462		1	IMPELLER, WATER PUMP <b>SERIAL 05195054-09999999</b>
9A	12-26168		1	WASHER, IMPELLER SCREW <b>SERIAL 05195054-09999999</b>
9B	13-21804		1	LOCKWASHER, IMPELLER SCREW <b>SERIAL 05195054-09999999</b>
9C	10-86750		1	SCREW, IMPELLER ATTACHING <b>SERIAL 05195054-09999999</b>
13	71902		1	COVER, IMPELLER
14	10-52447		6	SCREW, COVER TO CYLINDER BLOCK (2 1/4")
15	10-24234		4	SCREW, IMPELLER COVER TO FRONT COVER (1")
16	12-20084		10	WASHER, COVER ATTACHING SCREWS
17	71904		1	COVER, WATER INLET
18	27-72098	■	1	GASKET, WATER INLET COVER
19	10-28668		3	SCREW, INLET COVER TO IMPELLER COVER (7/8")
20	12-21249		3	WASHER, INLET COVER TO IMPELLER COVER SCREW
-	<b>27-74264A1</b>		<b>1</b>	<b>ENGINE GASKET SET</b>

■ = COMPONENT OF ENGINE/POWERHEAD GASKET SET (27-74264A 1)

# EXHAUST ELBOW ASSEMBLY

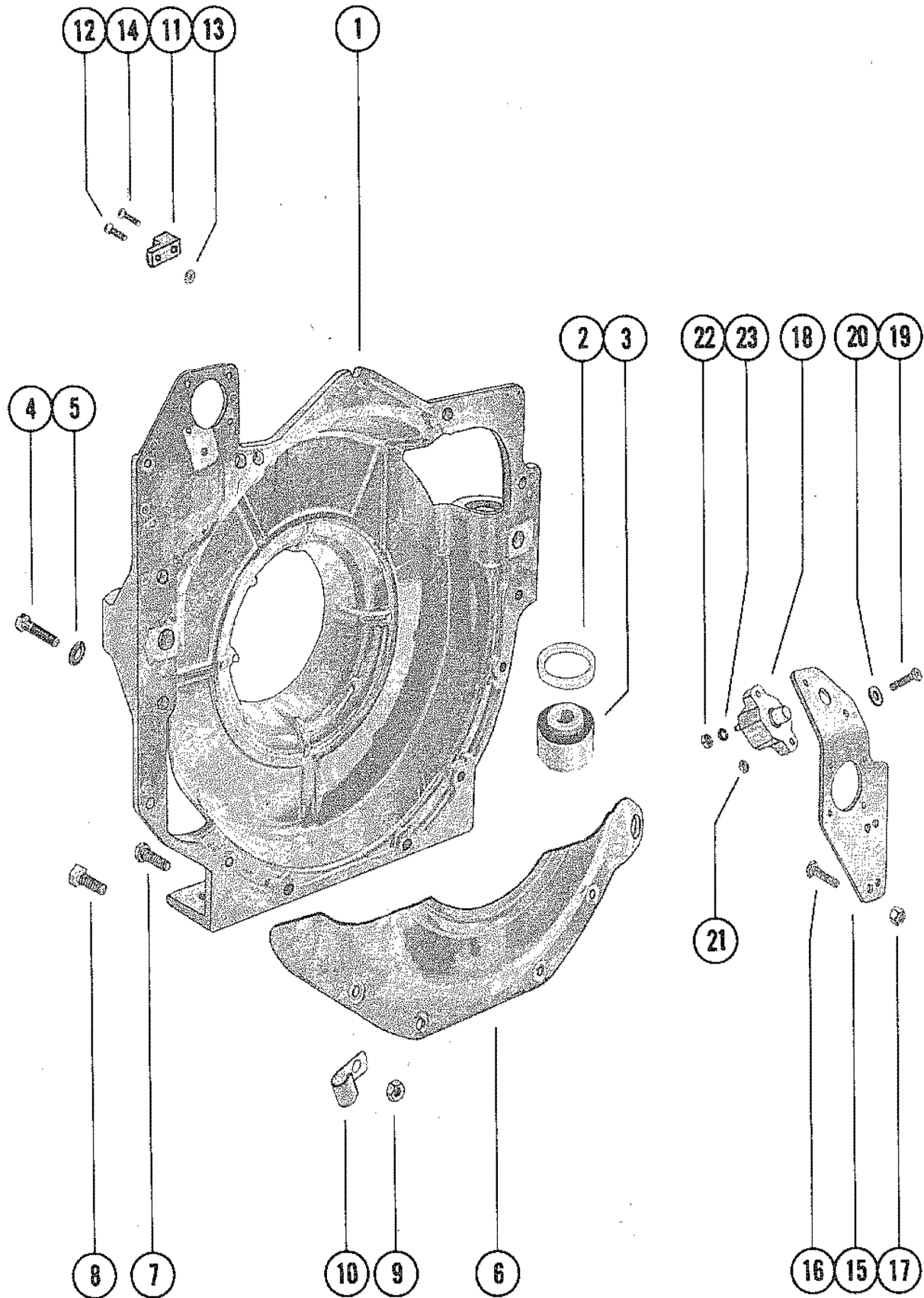




# EXHAUST ELBOW ASSEMBLY

REF. NO.	PART NO.	SYM.	QTY.	DESCRIPTION
1	72082A2		1	ELBOW ASSEMBLY, EXHAUST
2	72264A1		2	BRACKET, SUPPORT - WATER SEALING
3	10-45813		4	SCREW, SUPPORT BRACKET TO EXHAUST ELBOW (1/2")
4	11-45812		4	NUT, SUPPORT BRACKET SCREW
5	10-35787		3	SCREW, EXHAUST ELBOW TO GIMBAL HOUSING (2 1/4")
6	13-35048		3	LOCKWASHER, EXHAUST ELBOW SCREW
7	45586		1	SHUTTER, WATER - WXHAUST ELBOW
8	70981		1	BELLOWS, EXHAUST ELBOW TO ENGINE
9	54-31765		2	CLAMP, BELLOWS ATTACHING (LARGE)
	54-33683		2	CLAMP, BELLOWS ATTACHING (SMALL)

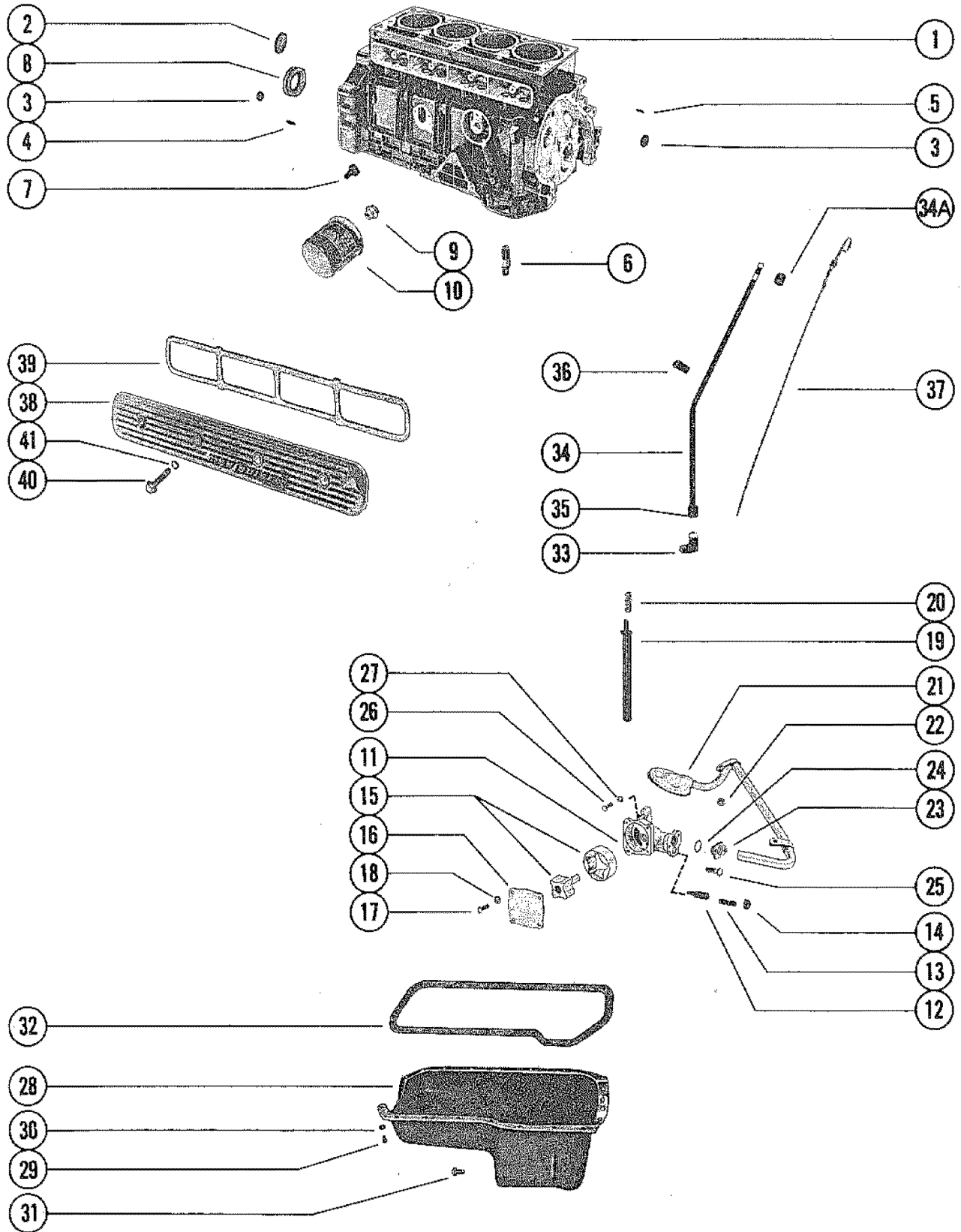
# FLYWHEEL HOUSING ASSEMBLY



# FLYWHEEL HOUSING ASSEMBLY

REF. NO.	PART NO.	SYM.	QTY.	DESCRIPTION
1	70960A1		1	FLYWHEEL HOUSING ASSEMBLY
2	23-46742		2	SPACER, RUBBER MOUNT
3	33149		2	MOUNT, RUBBER
4	10-37612		6	SCREW, FLYWHEEL HOUSING ATTACHING (1 1/4")
5	13-37459		6	LOCKWASHER, FLYWHEEL HOUSING ATTACHING SCREW
6	72100		1	COVER, FLUYWHEEL HOUSING
7	10-26065		1	SCREW, COVER TO FLYWHEEL HOUSING AND CLAMP (1")
8	10-47277		3	SCREW, COVER TO FLYWHEEL HOUSING (3/4")
9	11-29250		4	NUT, COVER TO FLYWHEEL HOUSING AND CLAMP SCREW
10	54-61001		1	CLAMP, SHIFT CABLE ATTACHING
11	45915		1	TERMINAL BLOCK
12	10-20189		1	SCREW, TERMINAL BLOCK TO FLYWHEEL HOUSING (3/4")
13	11-27164		1	NUT, TERMINAL BLOCK TO FLYWHEEL HOUSING SCREW
14	10-62568		1	SCREW, LEAD ATTACHING TO TERMINAL BLOCK
15	72757		1	BRACKET, CIRCUIT BREAKER
16	10-28668		2	SCREW, CIRCUIT BREAKER BRACKET TO FLYWHEEL HOUSING
17	11-56374		2	NUT, CIRCUIT BREAKER BRACKET TO FLYWHEEL HOUSING
18	88-65093		1	CIRCUIT BREAKER <b>SERIAL 00000000-04625579</b>
	88-78813		1	CIRCUIT BREAKER <b>SERIAL 04625580-09999999</b>
19	10-24637		2	SCREW, CIRCUIT BREAKER TO BRACKET (7/8")
20	12-30164		2	WASHER, CIRCUIT BREAKER TO BRACKET
21	11-46438		2	NUT, CIRCUIT BREAKER TO BRACKET (7/8")
22	11-68219		2	NUT, CIRCUIT BREAKER TERMINAL
23	13-26996		2	LOCKWASHER, CIRCUIT BREAKER TERMINAL

# CYLINDER BLOCK ASSEMBLY, OIL PUMP AND OIL PAN



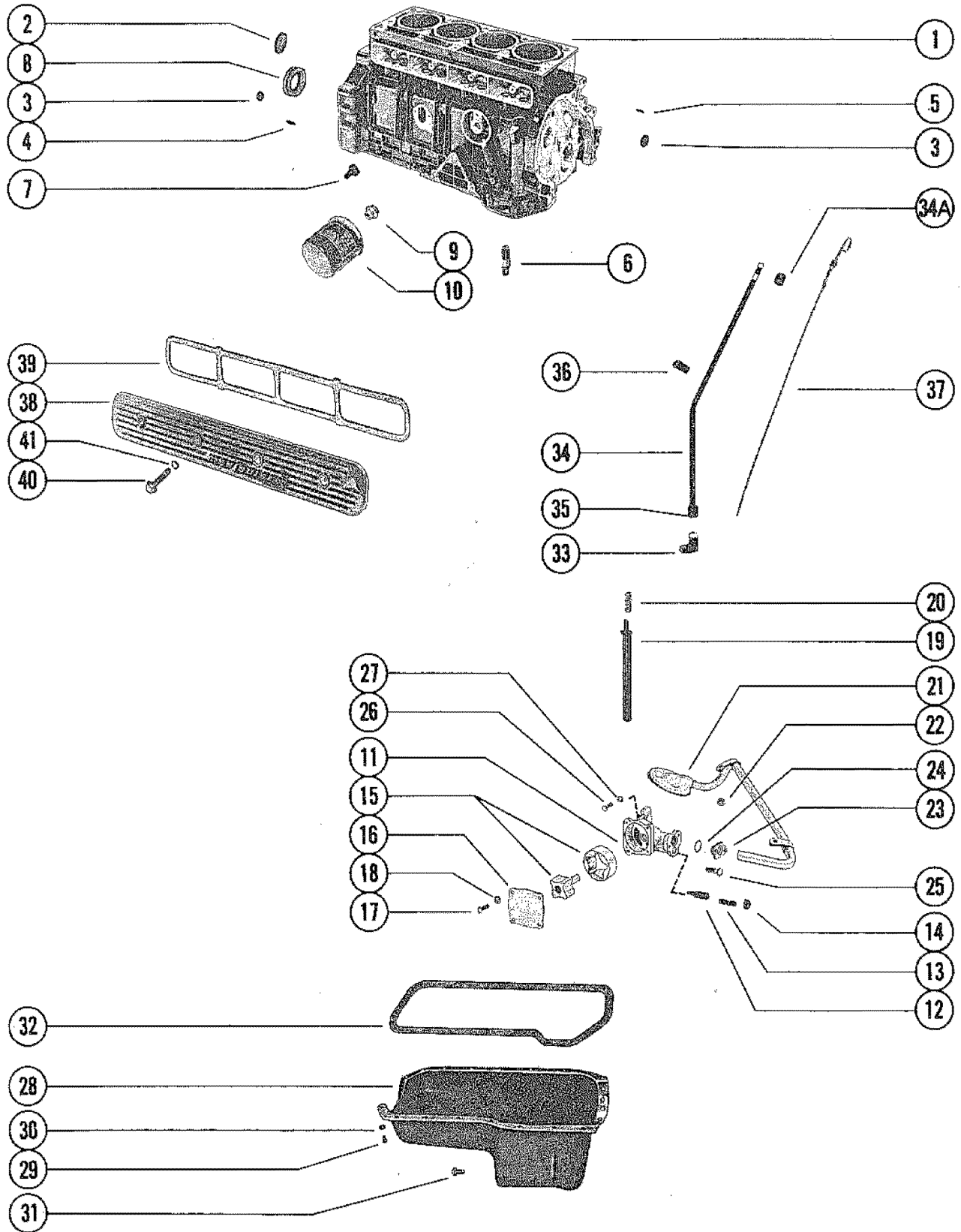
# CYLINDER BLOCK ASSEMBLY, OIL PUMP AND OIL PAN

REF. NO.	PART NO.	SYM.	QTY.	DESCRIPTION
1	859-6387A3		1	CYLINDER BLOCK ASSEMBLY
2	19-67383		1	PLUG, CAMSHAFT BORE (2 1/2" DIA.)
3	19-67384		2	PLUG, OIL GALLERY (5/8" DIA.)
4	17-67385		2	PIN< PILOT - FLYWHEEL HOUSING
5	17-74840		2	PIN, FRONT COVER
6	16-74396		2	STUD, OIL TUBE TO BLOCK
7	34344		1	VALVE, BY-PASS
8	26-67389	■	1	SEAL- CRANKSHAFT - REAR
9	32720		1	ADAPTOR, OIL FILTER
10	54111		1	OIL FILTER
11	68712A1		1	OIL PUMP ASSEMBLY
12	56865		1	PLUNGER, RELIEF - OIL PUMP
13	24-56864		1	SPRING, RELIEF VALVE - OIL PUMP
14	19-56854		1	PLUG, RELIEF VALVE - OIL PUMP
15	64785		1	ROTOR AND SHAFT, OIL PUMP
16	56179		1	COVER, OIL PUMP
17	10-28668		4	SCREW, COVER TO OIL PUMP (7/8")
18	13-26992		4	LOCKWASHER, COVER TO OIL PUMP SCREW
19	73501		1	SHAFT, OIL PUMP DRIVE
20	24-73642		1	SPRING, OIL PUMP SHAFT
21	32-72877A1		1	OIL PICK-UP TUBE ASSEMBLY
22	11-67919		2	NUT, OIL PICK-UP TUBE TO CYLINDER BLOCK
23	70792		1	FLANGE, TUBE TO PUMP
24	25-35276		1	"O" RING, TUBE TO PUMP
25	10-47576		2	SCREW, FLANGE TO PUMP (3/4")
26	10-37612		2	SCREW, PUMP TO ENGINE (1 1/4")
27	13-37459		2	LOCKWASHER, PUMP TO ENGINE SCREW
28	71938		1	OIL PAN
29	10-73456		29	SCREW, OIL PAN ATTACHING (5/8")
30	13-26993		29	LOCKWASHER, OIL PAN ATTACHING SCREW
31	22-60039		1	PLUG, OIL DRAIN
32	27-72479	■	1	GASKET, OIL PAN
33	22-47625		1	ELBOW, OIL PAN
34	73238		1	TUBE, DIPSTICK <b>SERIAL 00000000-04625579</b>
	78744A1		1	TUBE ASSEMBLY, DIPSTICK <b>SERIAL 04625580-09999999</b>
34A	22-78039		1	COUPLING, DIPSTICK TUBE <b>SERIAL 04625580-09999999</b>
35	11-47626		1	NUT, DIPSTICK TUBE ELBOW
36	54-73536		1	CLIP, DIPSTICK TO EXHAUST MANIFOLD
37	73232		1	GAUGE, OIL LEVEL
38	68711		1	SIDE COVER
39	27-68706	■	1	GASKET, SIDE COVER

■ = COMPONENT OF ENGINE/POWERHEAD GASKET SET (27-74264A 1)

CONTINUED ON NEXT PAGE ➡

# CYLINDER BLOCK ASSEMBLY, OIL PUMP AND OIL PAN

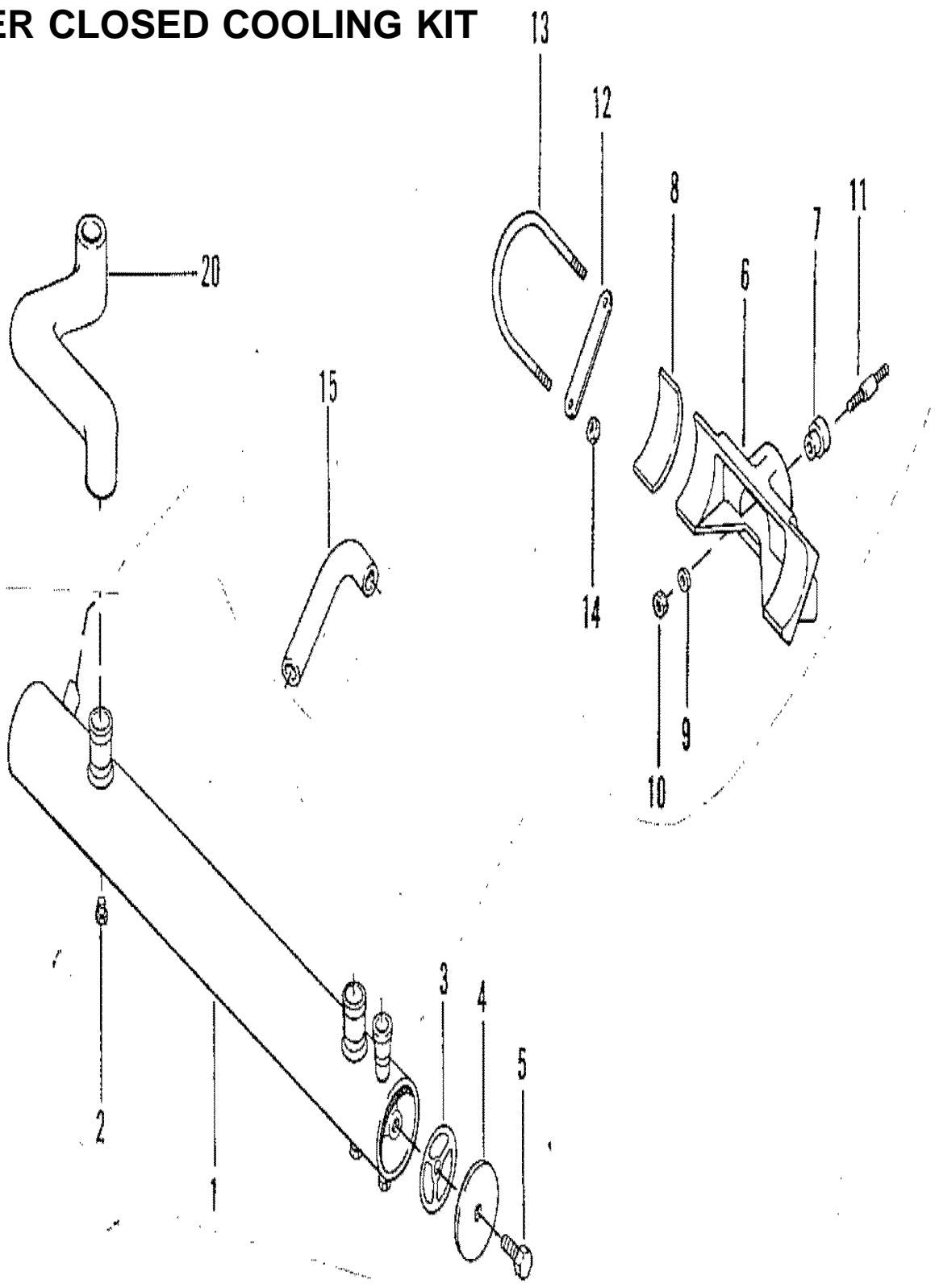


# CYLINDER BLOCK ASSEMBLY, OIL PUMP AND OIL PAN

REF. NO.	PART NO.	SYM.	QTY.	DESCRIPTION
40	10-75206		4	SCREW, SIDE COVER (1 3/4")
41	25-26543	■	4	"O" RING, SIDE COVER SCREW
-	<b>72775A3</b>		<b>0</b>	<b>SHORT BLOCK (S/N: 5149601 &amp; BELOW)</b>
-	<b>72775A10</b>		<b>0</b>	<b>SHORT BLOCK (S/N: 5149602 &amp; UP)</b>
-	<b>27-74264A1</b>		<b>1</b>	<b>ENGINE GASKET SET</b>

■ = COMPONENT OF ENGINE/POWERHEAD GASKET SET (27-74264A 1)

# WATER CLOSED COOLING KIT





## WATER CLOSED COOLING KIT

REF. NO.	PART NO.	SYM.	QTY.	DESCRIPTION
1	99438A1		1	HEAT EXCHANGER
2	22-32802		2	PIPE PLUG, HEAT EXCHANGER
3	27-99960		2	GASKET, END CAP
4	99961		2	PLATE, END CAP
5	10-99962		2	SCREW, END CAP-HEAT EXCHANGER
6	98618A1		1	BRACKET ASSEMBLY, HEAT EXCHANGER
7	41024		6	MOUNT, VIBRATION
8	77223		2	PAD, MOUNTING BRACKET
9	12-31263		3	WASHER, MOUNT STUD
10	11-34933		3	NUT, MOUNT STUD
11	16-41025		3	STUD, BRACKET
12	98620		2	STRAP, BRACKET TO HEAT EXCHANGER
13	10-98619A1		2	"U" BOLT, HEAT EXCHANGER
14	11-26484		4	NUT, "U" BOLT
15	32-41497		1	HOSE, HEAT EXCHANGER TO VOLTAGE REGULATOR
20	32-99729		1	HOSE, EXHAUST MANIFOLD TO HEAT EXCHANGER

# PARTS INDEX

Part Number	Description	Pg.	Ref. No.	Part Number	Description	Pg.	Ref. No.
26079	PLATE, HARNESS ATTACHING	7	21	67502--4	PUSH ROD, VALVE (.030 O.S.)	33	16
26901	BUMPER, SOLENOID	7	14	67502--5	PUSH ROD, VALVE-STD	33	16
27947	SWIVEL, LINKAGE	15	15	67504	BALL UNIT, ROCKER COVER	33	8
32177A1	RECTIFIER ASSEMBLY	3	1	67505	ARM, ROCKER VALVE	33	9
32193	COIL, IGNITION	11	28	67511	CLAMP UNIT, DISTRIBUTOR	13	33
32720	ADAPTOR, OIL FILTER	51	9	68700	SPROCKET, CRANKSHAFT	37	2
32778	MOUNT, FRONT SUPPORT	27	7	68704A1	BEARING, CONNECTING ROD (STD.)	41	4
32833	MOUNT, RUBBER	27	2	68704A2	BEARING, CONNECTING ROD (.002 U.S.)	41	4
33149	MOUNT, RUBBER	49	3	68704A3	BEARING, CONNECTING ROD (.020 U.S.)	41	4
33653	FELT, BREAKER CAM LUBRICATOR	11	-	68708	SPROCKET, CAMSHAFT	41	13
33654	BUTTON, CARBON-DISTRIBUTOR CAP	11	18	68711	SIDE COVER	51	38
33658	LEAD, PRIMARY	11	14	68712A1	OIL PUMP ASSEMBLY	51	11
33662	CONDENSER	11	8	68717A1	CHAIN, TIMING	41	15
33667	CAP, DISTRIBUTOR	11	17	68720A2	FRONT MOUNT BRACKET ASSEMBLY	27	1
34235	BREAKER ASSEMBLY, DISTRIBUTOR	11	11	68750	SEAL, REAR BEARING CAP	37	17
34344	VALVE, BY-PASS	51	7	69354A2	COUPLING ASSEMBLY	37	13
34623	SENDING UNIT, OIL PRESSURE	7	32	70125	COVER, CHOKE	19	60
38559	SWITCH, OIL PRESSURE	7	33	70398	BRACE- STARTER TO CYLINDER BLOCK	7	7
38983	SWIVEL, LINKAGE-CARBURETOR	15	18	70574	FLAME ARRESTOR	21	14
41024	MOUNT, VIBRATION	55	7	70792	FLANGE, TUBE TO PUMP	51	23
45586	SHUTTER, WATER - WXHAUST ELBOW	47	7	70902A2	ALTERNATOR ASS'Y, FLYWHEEL	37	8
45915	TERMINAL BLOCK	49	11	70960A1	FLYWHEEL HOUSING ASSEMBLY	49	1
48024	BRACKET, CONDENSER MOUNTING	11	9	70981	BELLOWS, EXHAUST ELBOW TO ENGINE	47	8
49089	DIAPHRAGM KIT	21	--	71303	ROCKER VALVE COVER	33	24
54111	OIL FILTER	51	10	71527A8	EXHAUST MANIFOLD ASSEMBLY	23	1
54676	RETAINER, HIGH TENSION LEADS	11	24	71587	BOTTLE, COOLANT RECOVERY	31	31
55730	PLATE, ELBOW TO MANIFOLD	25	46	71902	COVER, IMPELLER	45	13
56153	TAPPET	43	19	71903A2	FRONT COVER ASSEMBLY	45	1
56179	COVER, OIL PUMP	51	16	71904	COVER, WATER INLET	45	17
56865	PLUNGER, RELIEF - OIL PUMP	51	12	71938	OIL PAN	51	28
58217	ROTOR, DISTRIBUTOR	11	15	71943	END CAP, REAR	23	10
59646	CABLE, SOLENOID TO STARTER	7	19	72082A2	ELBOW ASSEMBLY, EXHAUST	47	1
60426A1	EXHAUST ELBOW ASSEMBLY	23	37	72100	COVER, FLYWHEEL HOUSING	49	6
61990	STA-STRAP, HOSE ATTACHING	31	39	72264A1	BRACKET, SUPPORT - WATER SEALING	47	2
62426	SCREEN, VENT-DISTRIBUTOR HOUSING	11	2	72481	LEVER, INTERMEDIATE THROTTLE	15	8
63145A1	LINK ROD ASSEMBLY, LINKAGE	15	17	72654	RETAINER, BREAKER CAM LUBRICATOR FELT	11	-
64785	ROTOR AND SHAFT, OIL PUMP	51	15	72757	BRACKET, CIRCUIT BREAKER	49	15
64804	LINK ROD, LINKAGE	15	16	72775A10	SHORT BLOCK (S/N: 5149602 & UP)	53	-
65057	STARTER SOLENOID	7	11	72775A3	SHORT BLOCK (S/N: 5149601 & BELOW)	53	-
67467	PAD, BOTTLE MOUNTING	31	38	72939	SHAFT, EXTENSION	41	10
67492	THRUST PLATE, CAMSHAFT	41	11	73232	GAUGE, OIL LEVEL	51	37
67502--3	PUSH ROD, VALVE (.030 U.S.)	33	16				

# PARTS INDEX

Part Number	Description	Pg.	Ref. No.	Part Number	Description	Pg.	Ref. No.
73238	TUBE, DIPSTICK	51	34	77225	STRAP, BRACKET TO HEAT EXCHANGER	31	28
73501	SHAFT, OIL PUMP DRIVE	51	19	77226	BRACKET, HEAT EXCHANGER MOUNTING	29	23
73559A1	DISTRIBUTOR ASSEMBLY, COMP	11	1	77305A2	VOLTAGE REGULATOR ASSEMBLY	3	15
73744	HEAT EXCHANGER-REAR	29	7	77319	HEAT EXCHANGER	29	1
74009	THERMOSTATE HOUSING	23	15	77594	FUEL PUMP	21	19
74144	RESERVOIR	23	23	77681	ROCKER VALVE COVER	33	24
74313A1	MAIN BEARING ASSEMBLY (STD.)	37	18	77877A2	FRONT MOUNT BRACKET ASSEMBLY	27	8
74313A2	MAIN BEARING ASSEMBLY (.002 U.S.)	39	18	78744A1	TUBE ASSEMBLY, DIPSTICK	51	34
74313A3	MAIN BEARING ASSEMBLY (.020 U.S.)	39	18	78801	LEVER, INTERMEDIATE THROTTLE	15	8
74314A1	CENTER MAIN BEARING ASS'Y (STD.)	39	19	85374A1	DISTRUBUTOR ASSEMBLY, COMP	11	1
74314A3	CENTER MAIN BEARING ASS"Y (.020 U.S.)	39	19	85784	FLAME ARRESTOR	21	14
74314A3	CENTER MAIN BEARING ASS'Y (.020 U.S.)	39	19	86234	FUEL PUMP	21	19
74790	BRACKET, HEAT EXCHANGER-FRONT	29	11	86255A2	VOLTAGE REFULATOR ASSEMBLY	3	15
74819	PAD, HEAT EXCHANGER-UPPER	29	12	86461	SPROCKET, CAMSHAFT	41	13
75202	TENSIONER, CHAIN	43	16	98618A1	BRACKET ASSEMBLY, HEAT EXCHANGER	55	6
75219	PLATE, REGULATOR TERMINAL BLOCK AND RECTIFIER	3	10	98620	STRAP, BRACKET TO HEAT EXCHANGER	55	12
75220	VOLTAGE REGULATOR	3	9	99438A1	HEAT EXCHANGER	55	1
75361	COVER, REFULATOR TERMINAL BLOCK AND RECTIFIER	3	11	99961	PLATE, END CAP	55	4
75409	PLATE, MOUNTING-BREAKER ASSEMBLY AND CONDENSER	11	5	N.S.S.	AIR HORN(NOT SOLD SEPARATELY)	17	1
75412	RETAINER, VALVE SPRING	33	20	N.S.S.	FLOAT BOWL ASSEMBLY (ROCHESTER #17052724)	17	17
75414	VALVE, EXHAUTT-STD	33	17	N.S.S.	IDLE STOP SCREW, THROTTLE BODY (ROCHESTER #7031547)	19	41
75415	VALVE, EXHAUST (.015 O.S.)	33	17	N.S.S.	LEVER ASSESMBLY, CHOKE PISOTN (ROCHESTER #7010051)	19	56
75416	VALVE, INTAKE-STD	33	17	N.S.S.	PIN, HINGE-FLOAT TO AIR HORN (ROCHESTER #7002081)	17	13
75417	VALVE, INTAKE (.015 O.S.)	33	17	N.S.S.	POWER PISTON ASSEMBLY (ROCHESTER #7009718)	17	2
75452	PLATE, END CAP-HEAT EXCHANGER	29	4	N.S.S.	PUMP SHAFT AND LEVER ASSEMBLY, AIR HORN (ROCHESTER #7038788)	17	31
75669	SENDER, WATER TEMPERATURE	23	17	N.S.S.	ROD, PUMP (ROCHESTER #7038799)	17	32
75959	HEAT EXCHANGER	29	1	N.S.S.	ROD,CHOKE(ROCHESTER #7038821)	19	48
76145	PAD, HEAT EXCHANGER-LOWER	29	13	N.S.S.	SCREW, VENTURI CLUSTER TO FLOAT BOWL (CENTER)-ROCHESTER #70	17	20
76270	THERMOSTAT	23	21	N.S.S.	SCREW, VENTURI CLUSTER TO FLOAT BOWL (OUTER)-ROCHESTER#70457	17	22
76276	BRACKET, BOTTLE	31	32	N.S.S.	THROTTLE BODY ASSEMBLY (NOT SOLD SEPARATELY)	19	38
76277	FITTING, BANJ9-FUEL LINE	21	11				
76325A2	EXHAUST ELBOW ASSEMBLY	23	37				
76328A2	INTAKE MANIFOLD ASSEMBLY	15	1				
76354	BRACKET, IGNITION COIL MOUNTING	11	29				
76839	MOUNT, FRONT SUPPORT	27	14				
77180A1	ALTERNATOR ASS"Y, FLYWHEEL	37	8				
77223	PAD, MOUNTING BRACKET	31	27				
77223	PAD, MOUNTING BRACKET	55	8				

# PARTS INDEX

Part Number	Description	Pg.	Ref. No.	Part Number	Description	Pg.	Ref. No.
N.S.S.	VENRURI CLUSTER ASSEMBLY, FLOAT BOWL (NOT SOLD SEPARATELY)	17	18	10-29852	SCREW, LEAD TO RECTIFIER	3	4
10-20031	SCREW, WIRING HARNESS CLAMP TO MANIFOLD (1/2")	7	24	10-29852	SCREW, LEAD TO TERMINAL BLOCK	3	7
10-20189	SCREW, TERMINAL BLOCK TO FLYWHEEL HOUSING (3/4")	49	12	10-33042	SCREW, FAST IDLE CAM TO FLOAT BOWL	19	47
10-20359	SCREW, BRACKET TO HEAD-PORT (3/8-16X1")	31	33	10-33043	SCREW, AIR HORN TO FLOAT BOWL (SHORT)	17	4
10-20362	SCREW, END CAP TO EXHAUST MANIFOLD (1 1/2")	23	13	10-33045	SCREW, CHOKE VALVE TO CHOKE SHAFT	19	52
10-21077	SCREW, LIFTING EYE ATTACHING-REAR (3/8-16X7/8")	33	14	10-33047	SCREW, AIR HORN PUMP LEVER	17	30
10-21077	SCREW, STARTER BRACE TO CYLINDER BLOCK (7/8")	7	8	10-33047	SCREW, CHOKE COVER TO CHOICE HOUSING	19	61
10-23977	SCREW, MOUNTING PLATE TO PRIMARY HOUSING	11	6	10-33048	SCREW, AIR HORN TO FLOAT BOWL (LONG)	17	5
10-24234	SCREW, CABLE TO FUSE ATTACHING (5/16 X 1")	7	29	10-33052	SCREW, THROTTLE BODY TO FLOAT BOWL	19	44
10-24234	SCREW, DISTRIBUTOR TO CYLINDER BLOCK	13	34	10-33053	SCREW, CHOKE HOUSING TO AIR HORN	19	55
10-24234	SCREW, END CAP TO EXHAUST MANIFOLD (1")	23	12	10-33056	SCREW, CHOKE PISOTN LEVER TO CHOKE HOUSING	19	57
10-24234	SCREW, FRONT COVER TO CYLINDER BLOCK (1")	45	5	10-33650	SCREW, BREAKER ASSEMBLY TO MOUNTING PLATE	11	12
10-24234	SCREW, IMPELLER COVER TO FRONT COVER (1")	45	15	10-33660	SCREW, DISTRIBUTOR CAP TO PRIMARY HOUSING (8-32)	11	19
10-24637	SCREW, CIRCUIT BREAKER TO BRACKET (7/8")	49	19	10-33663	SCREW, DISTRIBUTOR CAP TO PRIMARY HOUSING (10-32)	11	20
10-25703	SCREW, END CAP-HEAT EXCHANGER ATTACHING	29	6	10-35386	SCREW, FUEL PUMP ATTACHING SCREW	21	20
10-26065	SCREW, COVER TO FLYWHEEL HOUSING AND CLAMP (1")	49	7	10-35519	SCREW, COVER TO PLATE (1/2")	3	12
10-26065	SCREW, RECTIFIER TO MOUNTING PLATE (1")	3	2	10-35519	SCREW, REGULATOR AND TERMINAL BLOCK (1/2")	3	8
10-26801	SCREW, CLIP TO INTAKE MANIFOLD	7	27	10-35585	SCREW, ROCKER COVER ATTACHING (1/4-20X3/4")	35	26
10-27337	SCREW, VOLTAGE REGULATOR ATTACHING(2 1/4")	3	16	10-35787	SCREW, EXHAUST ELBOW TO GIMBAL HOUSING (2 1/4")	47	5
10-28464	SCREW, VOLTAGE REGULATOR SCREW	3	18	10-36355	SCREW, EXHAUST MANIFOLD TO HEAD (5 1/4")	23	6
10-28635	SCREW, PLATE TO CYLINDER BLOCK (5/8")	3	13	10-37612	SCREW, FLYWHEEL HOUSING ATTACHING (1 1/4")	49	4
10-28635	SCREW, SOLENOID TO CYLINDER BLOCK (5/8")	7	12	10-37612	SCREW, PUMP TO ENGINE (1 1/4")	51	26
10-28642	SCREW, DRIVE - WATER TUBE FLANGE	15	3A	10-38507	SCREW, LEVVER TO INTAKE MANIFOLD (1 5/16")	15	12
10-28668	SCREW, CIRCUIT BREAKER BRACKET TO FLYWHEEL HOUSING	49	16	10-45813	SCREW, SUPPORT BRACKET TO EXHAUST ELBOW (1/2")	47	3
10-28668	SCREW, COVER TO OIL PUMP (7/8")	51	17	10-46718	SCREW, PLATE TO BRACKET (3/4")	7	22

# PARTS INDEX

Part Number	Description	Pg.	Ref. No.	Part Number	Description	Pg.	Ref. No.
10-47461	SCREW, BRACKET TO HEAD, STBD. (7/16-14X1)	31	35	10-75206	SCREW, CHAIN TENSIONER ATTACHING (1 3/4")	43	18
10-47462	SCREW, REAR BRACKET ATTACHING (1 1/4")	29	8	10-75206	SCREW, SIDE COVER (1 3/4")	51	40
10-47576	SCREW, FLANGE TO PUMP (3/4")	51	25	10-75444	SCREW, CONNECTING ROD CAP ATTACHING	41	2
10-47828	SREW, WATER SEPARATION TUBE ATTACHING	25	42	10-77363	SCREW, STATOR TO FRONT COVER (1 1/2")	37	5
10-48021	SCREW, CONDENSER BRACKET ATTACHING	11	10	10-77363	SCREW, STATOR TO FRONT COVER (1 1/2")	37	5
10-48948	SCREW, LIFTING EYE ATTACHING - FRONT (7/16-14X7/8")	33	12	10-77403	"U" BOLT, RACKET TO HEAT EXCHANGER	31	29
10-49668	SCREW, TRUST PLATE ATTACHING (3/4")	41	12	10-86750	SCREW, IMPELLER ATTACHING	45	9C
10-52034	SCREW, STATOR TO FRONT COVER (1 1/4")	37	5	10-98619A1	"U" BOLT, HEAT EXCHANGER	55	13
10-52447	SCREW, COVER TO CYLINDER BLOCK (2 1/4")	45	14	10-99962	SCREW, END CAP-HEAT EXCHANGER	55	5
10-53016	SCREW, RESERVOIR TO THERMOSTAT HOUSING (1 1/4")	23	25	11-20083	NUT, SOLENOID TERMINAL (5/16-24)	7	18
10-5963	SCREW, FRONT MOUNT BRACKET-PORT (6")	27	4	11-20110	NUT, INTERMEDIATE THROTTLE STUD	15	11
10-59644	SCREW, ALTERNATOR ASSEMBLY ATTACHING (1 3/8")	37	9	11-20110	NUT, SWIVEL LINKAGE - CARBURETOR	15	21
10-62568	SCREW, LEAD ATTACHING TO TERMINAL BLOCK	49	14	11-20220	NUT, ADJUSTING STUD (1/2-20)	27	24
10-64969	SCREW, THROTTLE STOP	15	25	11-20586	NUT, FLAME ARRESTOR ATTACHING	21	16
10-66652	SCREW, MOUNTING BRACKET TO COIL	11	30	11-20664	NUT, THROTTLE CABLE ANCHOR STUD	15	24
10-67503	SCREW, CYLINDER HEAD ATTACHING (4 3/8")	33	4	11-21908	NUT, CABLE ATTACHING SCREW	7	31
10-67506	SCREW ROCKER ARM	33	10	11-23161	NUT, STARTER STUD	7	4
10-68101	SCREW, INTAKE MANIFOLD TO HEAD (1 3/8")	15	6	11-26484	NUT, "U" BOLT ATTACHING	31	30
10-68101	SCREW, LIFTING EYE-FRONT (3/8-1 3/8")	33	12	11-26484	NUT, "U" BOLT	55	14
10-70084	SCREW, SPROCKET TO CAMSHAFT (1")	41	14	11-27164	NUT, TERMINAL BLOCK TO FLYWHEEL HOUSING SCREW	49	13
10-72094	SCREW, EXHAUST MANIFOLD TO ELBOW	25	47	11-28941	NUT, FLAME ARRESTOR STUD	21	3
10-72769	SCREW, CYLINDER HEAD ATTACHING (5 1/8")	33	5	11-29250	NUT, CARBURETOR TO INTAKE MANIFOLD	21	6
10-72875	SCREW, STARTER ATTACHING (1 1/2")	7	2	11-29250	NUT, COVER TO FLYWHEEL HOUSING AND CLAMP SCREW	49	9
10-73456	SCREW, OIL PAN ATTACHING (5/8")	51	29	11-29250	NUT, STARTER TERMINAL	7	6
10-74027	SCREW, FORNT MOUNT BRACKET-STBK (5 1/2")	27	4	11-29598	NUT, FUSE STUD	9	39
10-74335	SCREW, MAIN BEARING CAPS	37	16	11-32219	NUT, EXHAUST MANIFOLD ATTACHING STUD	23	8
10-74822	SCREW, THERMOSTAT HOUSING TO EXHAUST MANIFOLD (3 1/2")	23	19	11-32882	NUT, ADJUSTING STUD (7/8-14)	27	17
10-74826	SCREW, LIFTING EYE-REAR (5/16-4")	33	14	11-32882	NUT, FRONT SUPPORT MOUNT TO ADJUSTING STUD	27	15
				11-33122	NUT, THROTTLE STOP SCREW	15	26
				11-34933	NUT, BRACKET STUD	29	26
				11-34933	NUT, FLYWHEEL TO COUPLING STUD	37	15
				11-34933	NUT, MOUNT STUD	55	10

# PARTS INDEX

Part Number	Description	Pg.	Ref. No.	Part Number	Description	Pg.	Ref. No.
11-34933	NUT, MOUNTIN BRACKET STUD .....	27	13	12-25909	WASHER, INTAKE MANIFOLD SCREW .....	15	7
11-35814	NUT, RECTIFIER TO MOUNTING PLATE SCREW .....	3	3	12-25909	WASHER, LIFTING EYE SCREW .....	33	13
11-45812	NUT, SUPPORT BRACKET SCREW .....	47	4	12-26168	WASHER, IMPELLER SCREW .....	45	9A
11-46438	NUT, CIRCUIT BREAKER TO BRACKET (7/8") .....	49	21	12-27339	WASHER, BRACKET ATTACHING SCREW .....	31	37
11-47525	NUT, FRONT SUPPORT MOUNT TO ADJUSTING STUD .....	27	16	12-30164	WASHER, CIRCUIT BREAKER TO BRACKET .	49	20
11-47626	NUT, DIPSTICK TUBE ELBOW .....	51	35	12-30164	WASHER, IGNITION COIL TERMINAL .....	11	31
11-49838	NUT, ELBOW TO MANIFOLD ATTACHING .....	25	44	12-30164	WASHER, INTERMEDIATE THROTTLE STUD .....	15	10
11-56374	NUT, CIRCUIT BREAKER BRACKET TO FLYWHEEL HOUSING .....	49	17	12-30164	WASHER, SWIVEL LINKAGE- CARBURETOR .....	15	20
11-64769	NUT, CONNECTING ROD CAP ATTACHING .....	41	3	12-31263	WASHER, MOUNT STUD ...	55	9
11-67919	NUT, OIL PICK-UP TUBE TO CYLINDER BLOCK .....	51	22	12-32638	WASHER, FIBER-ADJUSTINH STUD .....	27	20
11-68219	NUT, CIRCUIT BREAKER TERMINAL .....	49	22	12-32648	WASHER, FLYWHEEL TO COUPLING STUD .....	37	14
11-68219	NUT, IGNITION COIL TERMINAL .....	13	32	12-34567	WASHER, FRONT MOUNT BRACKET SCREW .....	27	6
11-68219	NUT, LEADS TO RECTIFIER (10-32) .....	3	5	12-34567	WASHER, MOUNTING BRACKET STUD .....	27	12
11-68219	NUT, SOLENOID TERMINAL (#10-32) .....	7	16	12-34931	WASHER, STARTER BRACE SCREW .....	7	9
11-68219	NUT, STATOR LEADS TO VOLTAGE REGULATOR STUDS .....	3	20	12-34931	WASHER, STARTER STUD .	7	3
11-68219	NUT, SWITCH AND SENDING UNIT TERMINAL	7	34	12-35950	WASHER, INTERMEDIATE THROTTLE STUD .....	15	9
11-72966	NUT, IMPELLER ATTACHING	45	12	12-35950	WASHER, SWIVEL LINKAGE- CARBURETOR .....	15	19
12-20084	WASHER, CARBURETOR TO INTAKE MANIFOLD .....	21	7	12-36103	WASHER, ALTERNATOR ASSEMBLY ATTACHING SCREW .....	37	10
12-20084	WASHER, COVER ATTACHING SCREWS ...	45	16	12-36103	WASHER, STEEL-UPPER AND LOWER .....	27	19
12-20084	WASHER, FRONT COVER TO CYLINDER BLOCK SCREW .....	45	6	12-36104	WASHER, FIBER- ADJUSTING STUD .....	27	23
12-20546	WASHER, FUEL PUMP ATTACHING SCREW .....	21	22	12-36275	WASHER, ROTOR .....	11	16
12-20553	WASHER, LEVER TO INTAKE MANIFOLD SCREW .....	15	13	12-36533	WASHER, COPPER - THERMOSTAT HOUSING ATTACHING SCREW .....	23	20
12-20959	WASHER, SPACER- ADJUSTING STUD .....	27	21	12-53705	WASHER, RESERVOIR ATTACHING SCREW .....	23	27
12-21249	WASHER, INLET COVER TO IMPELLER COVER SCREW .....	45	20	12-57792	WASHER, LEVER TO INTAKE MANIFOLD SCREW .....	15	14
12-22248	WASHER, BRACKET STUD .	29	25	12-62425	WASHER, BREAKER PLATE SUPPORT SCREW .....	11	7
12-22248	WASHER, REAR BRACKET ATTACHING SCREW .....	29	10	12-72930	WASHER, IMPELLER ATTACHING .....	45	11
12-22937	WASHER, FLAME ARRESTOR ATTACHING .	21	15	12-74784	WASHER, FUEL INLET FITTING .....	21	13
				12-75451	WASHER, END CAP-HEAT EXCHANGER ATTACHING	29	5
				12-86400	WAHSER, FLAME ARRESTOR ATTACHING .	21	15
				13-21804	LOCKWASHER, IMPELLER SCREW .....	45	9B

# PARTS INDEX

Part Number	Description	Pg.	Ref. No.	Part Number	Description	Pg.	Ref. No.
13-22773	LOCKWASHER, ROCKER COVER SCREW . . . . .	35	27	13-35048	LOCKWASHER, STARTER BRACE SCREW . . . . .	7	10
13-26992	LOCKWASHER, COVER TO OIL PUMP SCREW . . . . .	51	18	13-37272	LOCKWASHER, BRACKET ATTACHING SCREW . . . . .	31	36
13-26992	LOCKWASHER, FUSE STUD	9	38	13-37459	LOCKWASHER, ELBOW TO MANIFOLD ATTACHING . . . . .	25	43
13-26992	LOCKWASHER, PLATE TO CYLINDER BLOCK SCREW . . . . .	3	14	13-37459	LOCKWASHER, FLYWHEEL HOUSING ATTACHING SCREW . . . . .	49	5
13-26992	LOCKWASHER, SOLENOID TO CYLINDER BLOCK SCREW . . . . .	7	13	13-37459	LOCKWASHER, PUMP TO ENGINE SCREW . . . . .	51	27
13-26992	LOCKWASHER, THROTTLE BODY SCREW . . . . .	19	45	13-39107	LOCKWASHER, CABLE TO FUSE ATTACHING SCREW . . . . .	7	30
13-26992	LOCKWASHER, VOLTAGE REGULATOR SCREW . . . . .	3	17	13-39107	LOCKWASHER, RESERVOIR ATTACHING SCREW . . . . .	23	26
13-26992	LOCKWASHER, WIRING HARNESS CLAMP SCREW	7	25	13-58643	LOCKWASHER, VOLTAGE REGULATOR SCREW . . . . .	3	19
13-26993	LOCKWASHER, DISTRIBUTOR TO CYLINDER BLOCK SCREW . . . . .	13	35	15-72967	SHIM, IMPELLER ATTACHING SERIAL AND BELOW . . . . .	45	10
13-26993	LOCKWASHER, OIL PAN ATTACHING SCREW . . . . .	51	30	16-31632	STUD, BRACKET ATTACHING . . . . .	29	24
13-26993	LOCKWASHER, SOLENOID TERMINAL (5/16) . . . . .	7	17	16-32129	STUD, MOUNTING BRACKET ATTACHING (LOWER) . . . . .	27	11
13-26993	LOCKWASHER, STARTER TERMINAL . . . . .	7	5	16-32808	STUD, FLYWHEEL TO COUPLING . . . . .	37	12
13-26995	LOCKWASHER, CHOKE COVER SCREW . . . . .	19	62	16-36100	STUD, ADJUSTING . . . . .	27	18
13-26996	LOCKWASHER, ARI HORN SCREW . . . . .	17	6	16-38525	STUD, THROTTLE CABLE ANCHOR . . . . .	15	22
13-26996	LOCKWASHER, CIRCUIT BREAKER TERMINAL . . . . .	49	23	16-41025	STUD, BRACKET . . . . .	55	11
13-26996	LOCKWASHER, IGNITION COIL TERMINAL . . . . .	13	31	16-49545	STUD, EXHAUST MANIFOLD TO ELBOW (1 3/4") . . . . .	23	4
13-26996	LOCKWASHER, SOLENOID TERMINAL (#10) . . . . .	7	15	16-56295	STUD, MOUNTING BRACKET ATTACHING (UPPER) . . . . .	27	11
13-26996	LOCKWASHER, STATOR TO COVER SCREW . . . . .	37	6	16-70236	STUD CARBURETOR TO MANIFOLD . . . . .	15	3
13-26996	LOCKWASHER, STATOR TO COVER SCREW . . . . .	37	6	16-70878	STUD, CARBURETOR-FLAME ARRESTOR (2") . . . . .	21	2
13-26996	LOCKWASHER, STATOR TO COVER SCREW . . . . .	37	6	16-71494	STUD, EXHAUST MANIFOLD TO HEAD (6") . . . . .	23	5
13-26996	LOCKWASHER, STATOR TO COVER SCREW . . . . .	37	6	16-73583	STUD, HIGH TENSION LEAD CLAMP ATTACHING . . . . .	11	26
13-26996	LOCKWASHER, SWITCH AND SENDING UNIT TERMINAL . . . . .	9	35	16-73583	STUD, CLAMP TO CYLINDER HEAD (2 11/16") . . . . .	35	30
13-32993	LOCKWASHER, FRONT MOUNT BRACKET SCREW	27	5	16-74396	STUD, OIL TUBE TO BLOCK	51	6
13-32993	LOCKWASHER, LIFTING EYE SCREW . . . . .	33	13	16-77958	STUD, EXHAUST MANIFOLD TO HEAD (6 1/2") . . . . .	23	5
13-32993	LOCKWASHER, REAR BRACKET ATTACHING SCREW . . . . .	29	9	17-29077	ROLL PIN, DISTRIBUTOR GEAR . . . . .	11	-
13-35048	LOCKWASHER, BRACKET ATTACHING SCREW . . . . .	31	34	17-67385	PIN< PILOT - FLYWHEEL HOUSING . . . . .	51	4
13-35048	LOCKWASHER, EXHAUST ELBOW SCREW . . . . .	47	6	17-67489	PIN, CYLINDER HEAD . . . . .	33	6
13-35048	LOCKWASHER, EXHAUST MANIFOLD ATTACHING . . . . .	23	7	17-72511	PIN, CAMSHAFT . . . . .	41	8
				17-74840	PIN, FRONT COVER . . . . .	51	5
				19-33041	WELCH PLUG, CHOKE HOUSING . . . . .	19	58
				19-56854	PLUG, RELIEF VALVE - OIL PUMP . . . . .	51	14

# PARTS INDEX

Part Number	Description	Pg.	Ref. No.	Part Number	Description	Pg.	Ref. No.
19-67384	PLUG, OIL GALLERY (5/8" DIA.)	51	3	25-45257	"O" RING, FILLER BASE	23	28
19-74832	PLUG	33	3	26-33144	SEAL, WATER PUMP	45	2
22-32802	PIPE PLUG, DRAIN	45	4	26-34111	SEAL, HOUSING	11	-
22-32802	PIPE PLUG, HEAT EXCHANGER	29	2	26-67388	SEAL, FRONT	45	3
22-32802	PIPE PLUG, HEAT EXCHANGER	55	2	26-67389	SEAL- CRANKSHAFT - REAR	51	8
22-32802	PLUG, PIPE (1/8-27 NPT)	25	39	26-75413	SEAL, VALVE STEM	33	19
22-32803	PLUG, THERMOSTAT HOUSING	23	16	27-34486	GASKET, DISTRIBUTOR	11	21
22-33198	PLUG, CORE (3/4-14 NPT)	23	38	27-48043	GASKET, END CAP	23	11
22-33198	PLUG, CORE (3/4-14)	23	2	27-48043	GASKET, THERMOSTAT HOUSING TO EXHAUST MANIFOLD	23	18
22-36305	ELBOW, HEAT EXCHANGER HOSE	25	40	27-52076	GASKET, ELBOW TO MANIFOLD	25	45
22-36382	PLUG, DRAIN (1/4-18NPTE)	23	3	27-68706	GASKET, SIDE COVER	51	39
22-36382	PLUG, INTAKE MANIFOLD-TOP	15	2	27-68714	GASKET, FRONT COVER TO CYLINDER BLOCK	45	7
22-47625	ELBOW, OIL PAN	51	33	27-68715	GASKET, EXHAUST MANIFOLD TO HEAD	23	9
22-54090	CONNECTOR, HOSE-CARBURETOR VENT	21	4	27-70143	GASKET, CARBURETOR FLANGE	19	43
22-56772	PLUG, CHOKE HOUSING	19	59	27-70143	GASKET, CARBURETOR TO INTAKE MANIFOLD	21	5
22-58471	BASE, FILLER HOLE	23	29	27-70143	GASKET, MANIFOLD TO CARBURETOR	15	5
22-60039	PLUG, OIL DRAIN	51	31	27-70905	GASKET, INTAKE MANIFOLD	15	4
22-70584	FITTING, ELBOW-FUEL PUMP	21	23	27-71614	GASKET, FILLER HOLE CAP	23	30
22-73808	FITTING, FUEL INLET	21	12	27-72098	GASKET, WATER INLET COVER	45	18
22-73817	FITTING, VENT HOSE TO FUEL PUMP	21	9	27-72099	GASKET, IMPELLER COVER TO FRONT COVER	45	8
22-74033	ELBWO, OVERFLOW	23	32	27-72479	GASKET, OIL PAN	51	32
22-75188	FITTING, END CAP-BY-PASS HOSE	23	14	27-72805	GASKET, FUEL PUMP ATTACHING	21	24
22-76170	FITTING, RESEROIR BY-PASS	23	33	27-73666	GASKET, ROCKER COVER	35	28
22-78039	COUPLING, DIPSTICK TUBE	51	34A	27-74264	GASKET, CYLINDER HEAD	33	7
23-35903	SPACER, RUBBER MOUNT	27	10	27-74264A1	ENGINE GASKET SET	15	-
23-36101	SPACER, ADJUSTING STUD	27	22	27-74264A1	ENGINE GASKET SET	25	-
23-46742	SPACER, RUBBER MOUNT	27	3	27-74264A1	ENGINE GASKET SET	45	-
23-46742	SPACER, RUBBER MOUNT	49	2	27-74264A1	ENGINE GASKET SET	53	-
23-67484	BEARING, CAMSHAFT - OPTIONAL	41	9	27-74830	GASKET, THERMOSTAT HOUSING TO RESORVOIR	23	22
23-72119	SLEEVE, WATER	33	2	27-75450	GASKET, END CAP-HEAT EXCHANGER	29	3
23-75087	BUSHING, CHAIN TENSIONER	43	17	27-79986	GASKET, CYLINDER HEAD	33	7
24-33050	SPRING, IDLE ADJUSTING NEEDLE	19	40	27-99960	GASKET, END CAP	55	3
24-48143	SPRING, FUEL INLET - AIR HORN	17	9	28-56162	KEY, VALVE STEM	33	21
24-56864	SPRING, RELIEF VALVE - OIL PUMP	51	13	28-67382	KEY, SPROCKET AND ALTERNATOR	37	3
24-73642	SPRING, OIL PUMP SHAFT	51	20	28-86466	KEY, CAMSHAFT ASSEMBLY	41	7A
24-75410	SPRING, BREAKER CAM ADVANCE WEIGHT	11	4	32-41497	HOSE, HEAT EXCHANGER TO VOLTAGE REGULATOR	55	15
24-75411	VALVE SPRING	33	18	32-47642	HOSE, DRIVE TO HEAT EXCHANGER	29	15
25-26543	"O" RING, SIDE COVER SCREW	53	41	32-47642	HOSE, REGULATOR TO EXCHANGER	5	23
25-33666	GROMMET, MOUNTING PLATE-PRIMARY WIRE	11	13	32-47642	HOSE, VOLTAGE REGULATOR TO STERN DRIVE	5	26
25-35276	"O" RING, TUBE TO PUMP	51	24				
25-45257	"O" RING, FILLER BASE	23	28				



# PARTS INDEX

Part Number	Description	Pg.	Ref. No.	Part Number	Description	Pg.	Ref. No.
32-58616A1	WATER SEPARATION TUBE ASSEMBLY	25	41	54-32533	CLAMP, VOLTAGE REGULATOR HOSE	5	24
32-72877A1	OIL PICK-UP TUBE ASSEMBLY	51	21	54-32780	CLAMP, HOSE ATTACHING	29	18
32-73815--2	HOSE, FUEL VENT	21	8	54-32780	CLAMP, HOSE ATTACHING	29	18
32-74636	HOSE, HEAT EXCHANGER TO THERMOSTAT HOUSING	29	21	54-32780	CLAMP, HOSE ATTACHING	29	22
32-74638	HOSE, HEAT EXCHANGER TO EXHAUST ELBOW	29	17	54-32780	CLAMP, HOSE TO INTAKE MANIFOLD	15	32
32-74767	HOSE, SLEEVE TO RESERVOIR	33	22	54-32780	CLAMP, HOSE TO WATER PUMP	15	28
32-74794	HOSE, HEAT EXCHANGER TO EXHAUST MANIFOLD (FRONT)	29	19	54-32781	CLAMP, HOSE ATTACHING	29	22
32-75182	HOSE, BY-PASS-RESERVOIR TO REAR END CAP	23	35	54-32781	CLAMP, HOSE TO INTAKE MANIFOLD	15	31
32-75317	HOSE, MANIFOLD TO WATER PUMP	15	27	54-32781	CLAMP, HOSE TO INTAKE MANIFOLD	15	29
32-75318	HOSE, INTAKE MAN. TO EXH. MAN.	15	30	54-33036	RETAINER, CHOKE COVER SCREW	19	64
32-75960	HOSE, HEAT EXCHANGER TO THERMOSTAT HOUSING	29	21	54-33683	CLAMP, BELLOWS ATTACHING (SMALL)	47	9
32-76312	FUEL LINE(SEE NOTE BELOW)	21	10	54-39108	CLIP, IDLE STOP SCREW	19	42
32-76326	HOSE, MANIFOLD TO WATER PUMP	15	27	54-53101	CLIP, HOSE TO FLAME ARRESTOR	21	18
32-76327	HOSE, INTAKE MAN. TO EXH. MAN	15	30	54-60488	CLAMP, HEAT EXCHANGER ATTACHING	29	14
32-77245	HOSE, HEAT EXCHANGER TO THERMOSTAT HOUSING (21 3/4")	29	21	54-61001	CLAMP, SHIFT CABLE ATTACHING	49	10
32-77331	HOSE, HEAT EXCHANGER TO THERMOSTAT HOUSING (12")	29	21	54-64235--1	"J" CLIP, WIRING HARNESS	7	23
32-77332	HOSE, HEAT EXCHANGER TO EXHASUT ELBOW	29	17	54-64235--1	CLAMP, HOSE TO VALVE COVER	23	34
32-85360	HOSE, REGULATOR TO EXCHANGER	5	23	54-72531	LIFTING EYE	33	11
32-99729	HOSE, EXHAUST MANIFOLD TO HEAT EXCHANGER	55	20	54-72821	CLAMP, HIGH TENSION LEADS	11	25
33-75340	SPARK PLUG (CHAMPION #RBL-9Y)	11	23	54-72821	CLAMP, HIGH TENSION LEAD	35	29
35-49088	FILTER KIT	21	--	54-73536	CLIP, DIPSTICK TO EXHAUST MANIFOLD	51	36
35-53336	FILTER, FUEL INLET -AIR HORN	17	8	54-73667	"J" CLIP, ALTERNATOR LEAD ATTACHING	37	7
36-55143	CAP, FILLER HOLE	23	31	54-73668	"J" CLIP, WIRING HARNESS TO INTAKE MANIFOLD	7	26
36-75336	CAP, OIL FILLER	33	25	54-75826	CLAMP, BY-PASS HOSE ATTACHING	23	36
39-75422	RING, PISTON (STD.)	41	6	84-62826A5	CABLE ASS'Y, STUD TO MTG BOLT	3	22
39-75423	RING, PISTON (.030 O.S.)	41	6	84-72824--1	LEAD ASSEMBLY, HIGH TENSION (CYL. #1)	11	22
43-73579	GEAR, DRIVE-MAIN SHAFT	11	3	84-72824--2	LEAD ASSEMBLY, HIGH TENSION (CYL. #2)	11	22
47-71905	IMPELLER, WATER PUMP	45	9	84-72824--3	LEAD ASSEMBLY, HIGH TENSION (CYL. #3)	11	22
47-86462	IMPELLER, WATER PUMP	45	9	84-72824--4	LEAD ASSEMBLY, HIGH TENSION (CYL. #4)	11	22
50-72550	STARTER ASSEMBLY	7	1	84-72825	WIRE, DISTRIBUTOR TO COIL	11	27
54-31765	CLAMP, BELLOWS ATTACHING (LARGE)	47	9	84-73153A1	WIRING HARNESS	7	20
54-32523	CLAMP, HOSE ATTACHING	29	16	84-78061A1	CABLE ASS'Y REGULATOR	3	21
				84-79139A5	JUMPER WIRE, 90 AMP FUSE	9	36
				84-79139A8	CABLE ASS'Y REGULATOR	3	21

# PARTS INDEX

Part Number	Description	Pg.	Ref. No.	Part Number	Description	Pg.	Ref. No.
85-79695	BOOT, INSULATOR-FUSE			1397-6364	LEVER, PUMP - AIR HORN .	17	29
	STUD . . . . .	9	37	1397-6365	JET, FLOAT BOWL		
86-70879	TERMINAL, CHOKE COVER				(STANDARD) . . . . .	17	28
	SCREW . . . . .	19	63	1397-6367	OVERHAUL KIT . . . . .	19	--
86-71141	TERMINAL BLOCK . . . . .	3	6				
88-65093	CIRCUIT BREAKER . . . . .	49	18				
88-78813	CIRCUIT BREAKER . . . . .	49	18				
88-79023A55	FUSE ASS'Y, SOLENOID (55						
	AMP) . . . . .	7	28				
88-79023A90	FUSE ASS'Y, SOLENOID ( 90						
	AMP)- . . . . .	7	28				
251-6101	FLYWHEEL . . . . .	37	11				
398-6231A2	STATOR ASSEMBLY,						
	ALTERNATOR . . . . .	37	4				
398-6231A5	STATOR ASSEMBLY,						
	ALTERNATOR . . . . .	37	4				
398-6231A6	STATOR ASSEMBLY,						
	ALTERNATOR . . . . .	37	4				
456-53274A3	CRANKSHAFT (SERIAL AND						
	BELOW) U.S.) . . . . .	37	1				
456-6092	CRSANKSHAFT (SERIAL						
	AND UP) . . . . .	37	1				
462-6102A1	CAMSHAFT ASSEMBLY . . .	41	7				
462-7416	CAMSHAFT ASSEMBLY . . .	41	7				
554-32780	CLAMP,HOSE ATTACHING .	29	20				
628-6100	CONNECTING ROD						
	ASSEMBLY . . . . .	41	1				
759-5920-10	PISTON ASSEMBLY (STD.) .	41	5				
759-5920-11	PISTON ASSEMBLY (.005						
	O.S.) . . . . .	41	5				
759-5920-11	PISTON ASSEMBLY (.005						
	O.S.) . . . . .	41	5				
759-5920-12	PISTON ASSEMBLY (.030						
	O.S.) . . . . .	41	5				
759-6610-10	PISTON ASSEMBLY (STD.) .	41	5				
759-6610-11	PISTON ASSEMBLY (.005						
	O.S.) . . . . .	41	5				
759-6610-12	PISTON ASSEMBLY (.030						
	O.S.) . . . . .	41	5				
859-6387A3	CYLINDER BLOCK						
	ASSEMBLY . . . . .	51	1				
966-6187A4	CYLINDER HEAD						
	ASSSEMBLY . . . . .	33	1				
1376-5990A1	CARBURETOR ASSEMBLY .	21	1				
1376-5990A1	CARBURETOR ASSEMBLY,						
	COMPLETE . . . . .	17	-				
1397-2071	CAM, FAST IDLE-FLOAT						
	BOWL . . . . .	19	46				
1397-3330	NUT, FUEL INLET-AIR HORN	17	7				
1397-4257	CHOKE LEVER AND						
	COLLAR ASSEMBLY,						
	CHOKE SHAFT . . . . .	19	49				
1397-5837	FLOAT ASSEMBLY . . . . .	17	12				
1397-5838	CHOKE HOUSING						
	ASSEMBLY . . . . .	19	53				
1397-5839	VALVE, CHOKE-CHOKE						
	SHAFT . . . . .	19	51				
1397-5840	CHOKE SHAFT ASSEMBLY .	19	50				
1397-6362	POWER CARBURETOR KIT	19	--				
1397-6363	GASKET KIT . . . . .	19	--				