

Top Cowl Unlatching – 1989 and 1990 Mariner/Mercury 135-200

To prevent top cowl from unlatching when outboard is operated on rough water, it is necessary to install items listed. Earlier models require redesigned front cowl latch, longer safety latch pin and washer on both rear latch hooks. Later models require washer on both rear latch hooks. Models S/N 0C273935 and above have all items installed.

MODELS:

Mariner 135-200 – S/N 0C100861 – 0C248963

Mercury 135-200 – S/N 0C100861 – 0C248963

Install: (Figures 2 and 3)

Qty. 1 P/N 813076--2 Front cowl latch

Qty. 1 P/N 17-815296 Pin – safety latch

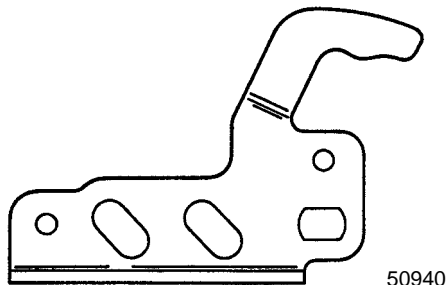
Qty. 2 P/N 12-36001 Washer – rear latch hook

Mariner 135-200 – S/N 0C248964 – 0C273934

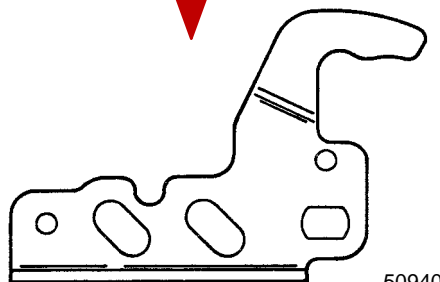
Mercury 135-200 – S/N 0C248964 – 0C273934

Install: (Figure 3)

Qty. 2 P/N 12-36001 Washer – rear latch hook



Previous Latch P/N 813076--1



New Latch P/N 813076--2

Figure 1. Front Cowl Latch

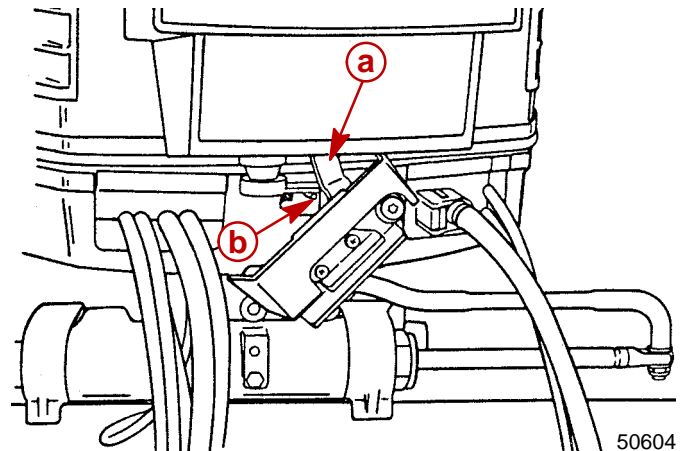


Figure 2. Front Latch Assembly

a - Front Cowl Latch

b - Pin – Safety Latch

Previous P/N 17-813930 - 7/8 in. (22mm) long

New P/N 17-815296 - 1 in. (25mm) long

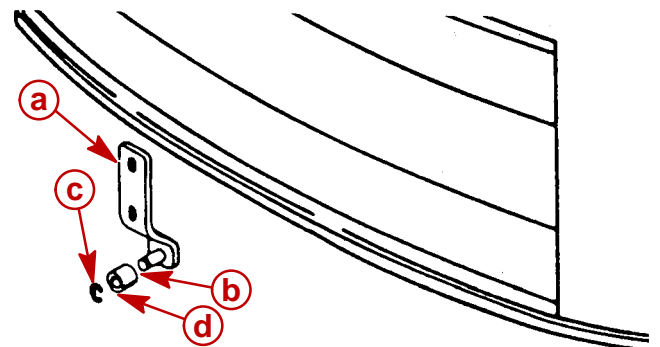


Figure 3. Rear Latch Hook Assembly

a - Rear Latch Hook

b - Roller

c - "E" Ring

d - Add Washer P/N 12-36001 Between Roller and "E" Ring

WARRANTY:

Complete warranty claim listing:

Outboard serial number

Required parts

One half (0.5) hour labor for front latch, pin and washers

Two tenths (0.2) hour for two washer only

