

## Clutch Actuator Rod Change – 1991 135 thru 275

### MARINER AND MERCURY

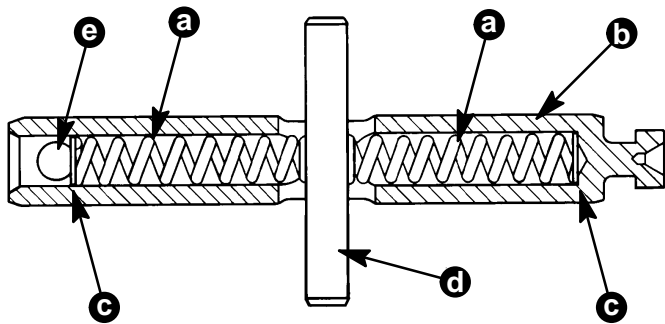
135 thru 200  
S/N OD044293 and above

275  
S/N OD038988 and above

The clutch actuator rod has changed and the forward spring and washer are not required on the right hand rotation lower units. Counter rotation lower units continue to use the clutch actuator rod with the two springs and washers. With the single spring system, shimming the spring to center the clutch cross pin is not required.

### CLUTCH ACTUATOR ROD

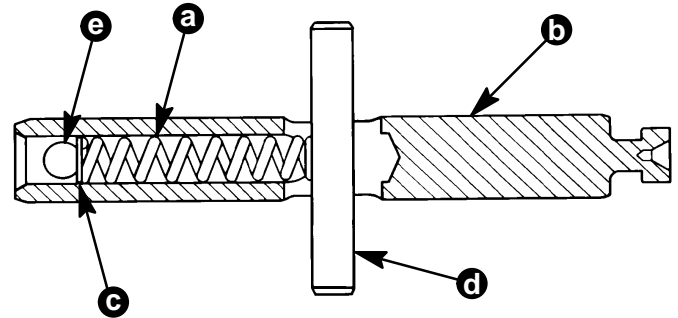
	Previous 2 Springs	New 1 Spring
135-200	P/N 79911	P/N 816520
275	P/N 88523	P/N 816519



51543

- a - Springs
- b - Clutch Actuator Rod
- c - Washers
- d - Clutch Cross Pin
- e - Retaining Pin

### Previous Right Hand Rotation Rod Assembly



51543

- a - Spring
- b - Clutch Actuator Rod
- c - Washer
- d - Clutch Cross Pin
- e - Retaining Pin

### New Right Hand Rotation Rod Assembly

This information will be added to the appropriate service manuals.