



service bulletin

NO. 92-5

Power Steering kits P/N 17443A2, A3, A7, A8 and A10 - 1992 135 thru 200

MARINER AND MERCURY

1992 135 thru 200
S/N OD082000 and above

POWER STEERING KITS:

P/N 17443A2
P/N 17443A3
P/N 17443A7
P/N 17443A8
P/N 17443A10

With boxing date codes
of
1/31/92 and earlier

Power steering kits listed require an additional adapter wire P/N 84-11149A7 and plug P/N 13541 for proper installation on 1992 135 thru 200 models. This is due to changes in the 1992 engine wiring harness.

CORRECTION:

Order and install the adapter wire and plug following the wiring diagram below when installing these kits on 1992 135 thru 200 model engines.

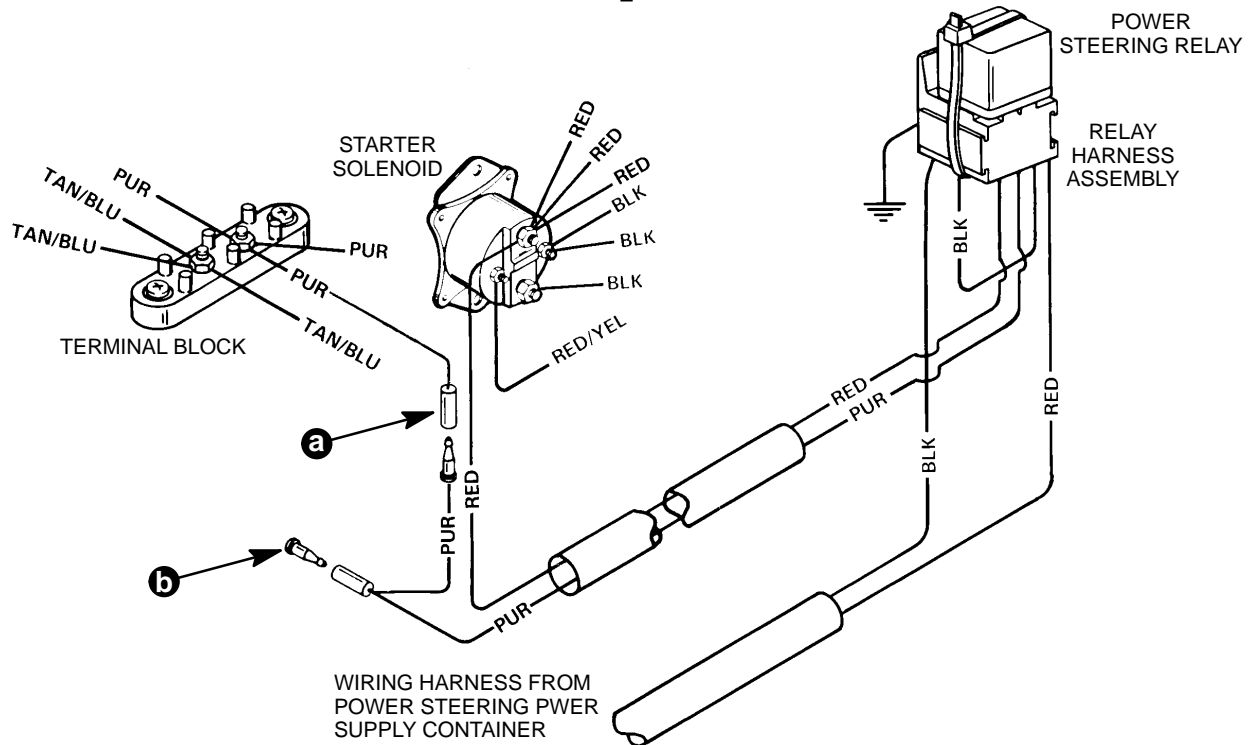
Power steering kits with boxing date codes of 2/1/92 and later will contain the adapter wire and plug. The boxing date code can be found on the part number label on the kit box.

NOTE: The adapter wire and plug are not required to install power steering kits on 75 thru 115 model engines.

PARTS REQUIRED:

Qty. 1 P/N 84-11149A7 Adapter wire

Qty. 1 P/N 13541 Plug



a - Adapter wire
b - Plug

Wiring Diagram - 1992 V-6 Models

WARRANTY:

Complete warranty claim listing:
Outboard serial number

Qty. 1 P/N 84-11149A7 Adapter wire

Qty. 1 P/N 13541 Plug

Two tenths (0.2) hour labor

Warranty labor rate code - NJC

Failure code - 800 39