

Required Fuel Filter Replacement 40 thru 275

MARINER AND MERCURY MODELS WITH IN-LINE FUEL FILTERS

40-thru-60 Serial Number

US 0D094871 thru 0D174463

Belgium 9688945 thru 9728241

75-thru-115 Serial Number

US 0D096633 thru 0D176518

Belgium 9689137 thru 9728657

135-thru-200 Serial Number

US 0D097266 thru 0D178434

275 Serial Number

US 0D090705 thru 0D178751

MODELS WHICH DO NOT REQUIRE FILTER REPLACEMENT:

55 Marathon/Sea Pro

75 Marathon/Sea Pro

175 Magnum EFI/XRi

200 Magnum EFI/XRi

FUEL PUMP KIT

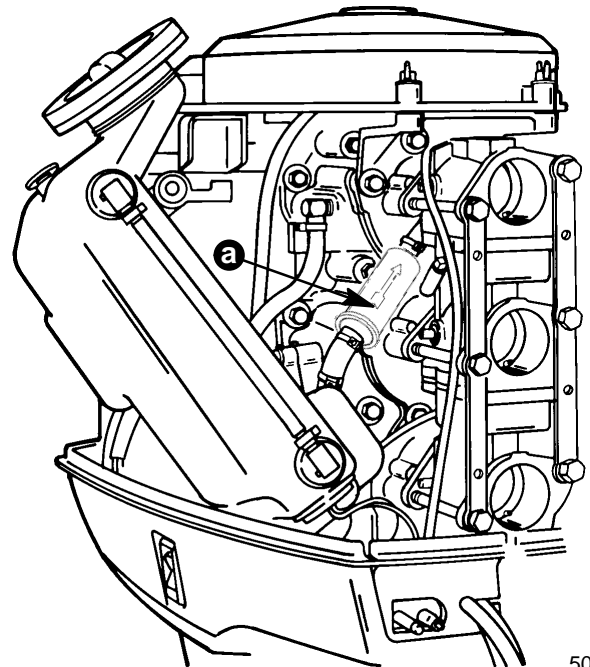
14360A42 - With boxing date code

6/5/91-thru-5/1/92

Outboards listed, require the replacement of the in-line fuel filter (Figure 1) to prevent the possibility of fuel leakage. Affected in-line fuel filters may develop a leak at the sonic weld area. (Figure 2)

OWNER NOTIFICATION:

A letter will be sent to every registered owner of an affected model within the above serial number range. The letter will advise the owner to call for an appointment and return their outboard to the selling dealer for warranty replacement of the in-line fuel filter. A copy of the letter is attached to this Service bulletin.



50527

a - Fuel Filter Location (50/60 Model)

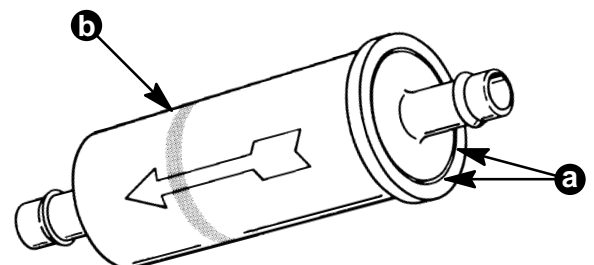
Figure 1.

REWORK/PART IDENTIFICATION:

Outboards within the serial number range listed that have been reworked at the factory are identified by:

- A blue dot sticker applied on the outboard serial number label of the shipping carton.
- A blue or black marker ring around the fuel filter.

A blue or black marker ring around the fuel filter body (Figure 2) indicates filters that DO NOT have to be replaced.



51830

a - Sonic Weld Area

b - Blue or Black Marker Ring

Figure 2.

DEALER SERVICE STOCK:

Inspect all p/n 35-816296--1 fuel filters in your service stock. Return, with a warranty claim, any unused filters that do not have a blue or black marker ring.

Fuel pump kits p/n 14360A42 in your service stock should be inspected and reworked at the dealership.

DEALER OUTBOARD INVENTORY:

Affected Outboards in dealer inventory **MUST BE** re-worked prior to customer delivery.

WARRANTY:

Complete warranty claim listing:

Outboard serial number(s)

Qty. 1 p/n 35-816296--1 Fuel Filter

Qty. 2 p/n 54-816311

Sta-straps (40 and V-6 Models)

-or-

Qty. 3 p/n 54-816311

Sta-straps (50 thru 115 Models)

US \$15.00 labor per outboard

Failure Code - 711 40

US & Canada - Return all unused filters with a warranty claim.

Multiple outboards may be listed on one warranty claim if grouped by model and a serial number is listed for each unit.

INTERNATIONAL - Follow instructions issued by your Marine Power International office or by your distributor.

DO NOT return any used fuel filters with the warranty claim. Drain and properly dispose of used filters at the dealership.

-

add letter from bob kachelek

warranty claim form