

Pre-loaded Reeds - 6 thru 15

Mercury/Mariner

1994 6 thru 15

S/N 0G157511 thru 0G157993

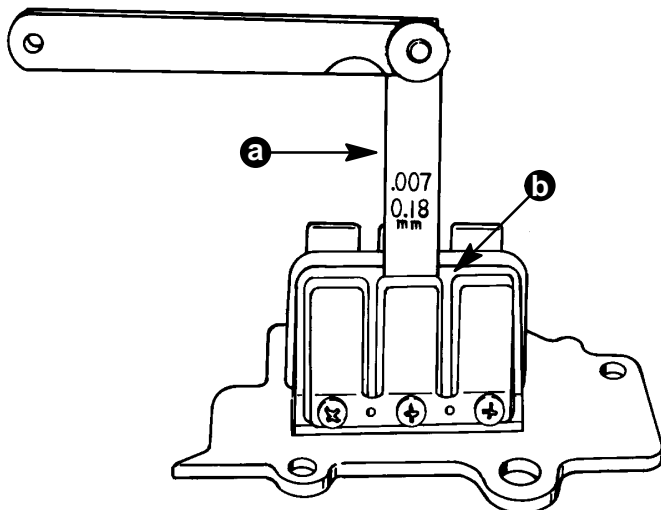
Outboards listed have experienced a condition which required a significant richening of the mixture screw in order to accelerate off idle. The cause of this condition is bent reeds which were assembled to the reed block in the "pre-loaded" direction. This condition could result in poor running qualities or early breaking/chipping of reeds.

DEALER OUTBOARD INVENTORY:

The performance of affected outboards in dealer stock must be checked and reworked, if needed, prior to delivery to customer.

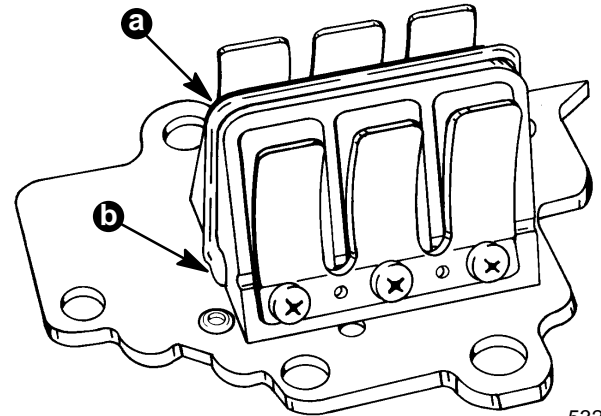
CORRECTION:

1. Install new reeds, p/n 34-825141.
2. Secure reeds and stops to reed block with six screws. Torque screws to 20 lb. in. (2.3N-m).
3. After installation, check reeds for preload and stand open conditions. Stand open should not exceed 0.007 in.(0.178mm).



53280

a - Feeler Gauge
b - Reed



53202

a - Rubber Seal
b - Apply Sealant (Each Side)

4. Replace seal, p/n 26-42137, and apply RTV Sealant (92-91600--1) at each location where seal passes through manifold
5. Reassemble engine and perform carburetor adjustments as outlined in service manual.

FACTORY REWORK IDENTIFICATION:

Outboards within the serial number range listed that have been reworked at the factory are identified by:

- A brown dot sticker applied on the serial number label of the shipping carton.
- A brown dot sticker applied on top of the manual starter housing.

WARRANTY:

Complete warranty claim listing:

- Outboard serial number
- Qty. 2 p/n 34-825141 Reeds
- Qty. 1 p/n 26-42137 Reed Block Seal
- Qty. 1 p/n 27-19598--1 Reed block gasket
- Two (2.0) hrs. labor
- Warranty flat rate code OP49
- Warranty failure code 748 00