

KEY SWITCH REPLACEMENT

Quicksilver Parts Affected

KEY SWITCH AND HARNESS ASSEMBLY:

P/N 84-816626A 2
P/N 84-816626A15
P/N 84-816626A20
P/N 84-816626A25

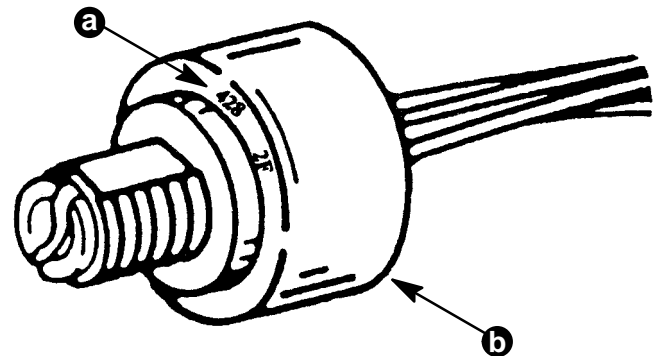
KEY SWITCH ASSEMBLY:

P/N 87-88107
P/N 87-17009A2
P/N 87-88107A3

REMOTE CONTROLS:

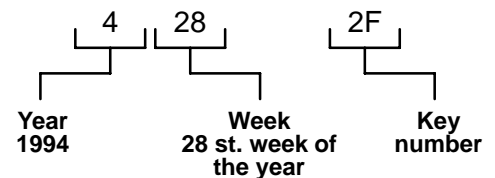
P/N 16900A15
P/N 16900A20
P/N 16901A15
P/N 16902A15
P/N 16904A15
P/N 16906A15
P/N 16907A15

Electric start outboards using the above listed Quicksilver remote control and key switch/harness assemblies have experienced failures of the key switch tumbler springs. The failure results in the inability to turn the key to the run or start position. The failures have been isolated to three key switch manufacturing date codes 424, 428, and 450.



a - Date code and key number
b - Key switch

Date code and key number explanation:



DEALER SERVICE STOCK:

Inspect any service stock of key switch/harnesses, key switch, and remote control assemblies listed. If a date code is present on the outside of package and it is between and including June 1994 thru June 1995, or has no date code at all, open the package and inspect. If package date code is before June 1994 or after June 1995 no further inspection is necessary.

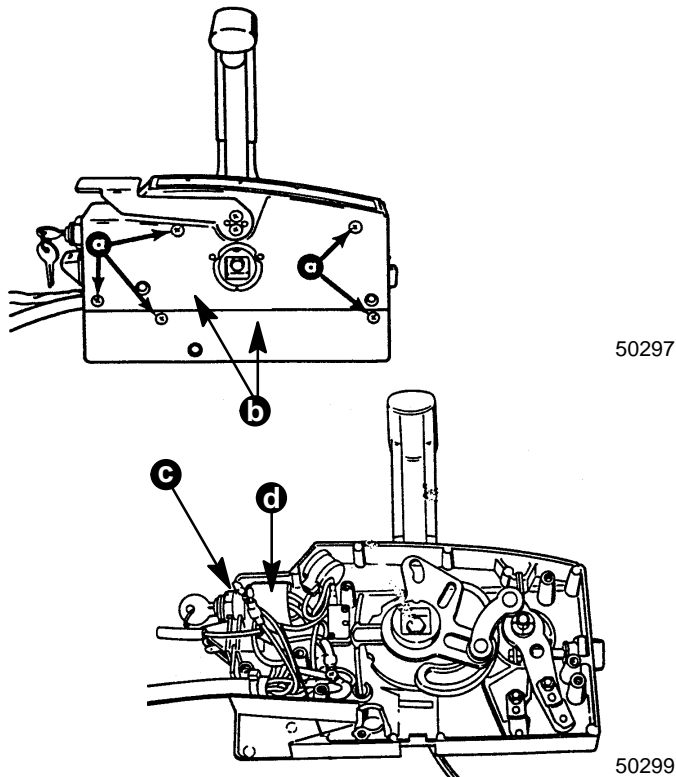
INSPECTION:

KEY SWITCH AND KEY SWITCH/HARNESS

Remove from package and check date code on key switch. On inspection of key switch, if date code is 424, 428, or 450 complete and submit a warranty claim for credit. Any of the above listed assemblies with key switch date codes other than 424, 428 or 450 are good serviceable items.

CONTROL BOX INSPECTION

Remove remote control from the package. Remove 5 screws (a) and upper and lower back panels (b). Loosen key switch retainer nut (c) pull key switch (d) from control box housing and check date code. If date code on key switch is 424, 428, or 450 replace the key switch with P/N 87-17009A2, reassemble and re-package.



- a - Screws
- b - Back Panels
- c - Retainer Nut
- d - Key Switch

CORRECTION-KEY SWITCH INSTALLED IN BOAT:

- Failed key switch P/N 87-88107 (used in key switch/harness assembly) should be replaced with key switch kit P/N 87-88107A 5 (installation instructions are included).
- Failed key switch 87-17009A 2 (used in control box) should be replaced with the original switch same part number. See remote control service manual 90-814705 for replacement procedure.

WARRANTY - KEY SWITCH INSTALLED IN BOAT:

Key switches with date codes 424, 428, and 450 will be covered by special warranty for three (3) years from the original date of sale.

Complete warranty claim listing:

- Outboard serial number (one serial number per claim).
- Qty. one (1) p/n 87-88107 or p/n 87-17009A2 switch and date code.
- Flat rate code: OE40 for three tenth (0.3) hours labor.
- Flat rate code: OE25 for seven tenth (0.7) hours labor.
- Failure code 314 00

US and CANADA: Complete/process claim via Midas or return warranty claim form. Tag and hold parts for 60 days after warranty credit is received.

INTERNATIONAL: Follow instructions issued by Marine Power International office or by your distributor.

WARRANTY - DEALER STOCK:

KEY SWITCH, AND KEY SWITCH/HARNESS

Complete warranty claim listing:

- Appropriate key switch, or key switch/harness, part number and date code. More than one can be listed on a claim.
- Two tenth (0.2) hour labor per key switch or harness assembly.
- Flat Rate Code: NJC
- Failure Code 314 00

QUICKSILVER REMOTE CONTROL:

Complete warranty claim listing:

- Qty. one (1) p/n 87-17009A2 (per control box) and key switch date code. More than one switch can be listed on claim.
- Five tenths (0.5) hours labor
- Flat rate code NJC
- Failure code 314 00

US and CANADA: Complete/process claim via Midas or return warranty claim form. Tag and hold parts for 60 days after warranty credit is received.

INTERNATIONAL: Follow instructions issued by Marine Power International office or by your distributor.