

- A. Thunderbolt Ignition - Spark When Switch "On" or "Off"
- B. Battery Lead and External Harness Installation - Merc 650
- C. Water Pump Impeller Installation
- D. Emergency Cowl Removal - 1974 Merc 110-75
- E. Bottom Cowl Drain - 1974 Merc 110-75

## A. THUNDERBOLT IGNITION - SPARK WHEN SWITCH "ON" or "OFF"

(Attach Service Bulletin Sticker on Pages 3C-9-12-13-14-16 of Your Service Manual.)

When troubleshooting Mercury Outboards with Thunderbolt Ignition, a spark may occur across the spark gap tester when turning the ignition key "On" or "Off". The presence of this spark is normal and does not indicate a faulty ignition component.

## B. BATTERY LEAD and EXTERNAL HARNESS INSTALLATION - Merc 650

(Attach Service Bulletin Sticker on Page 2A-1 of Your Service Manual.)

Mechanics and boat riggers are cautioned to properly install external harness and battery leads on Merc 650 Outboards as shown in Figures 1 and 2. Install a sta-strap around the harness, battery leads and control cables as shown in Figure 3.

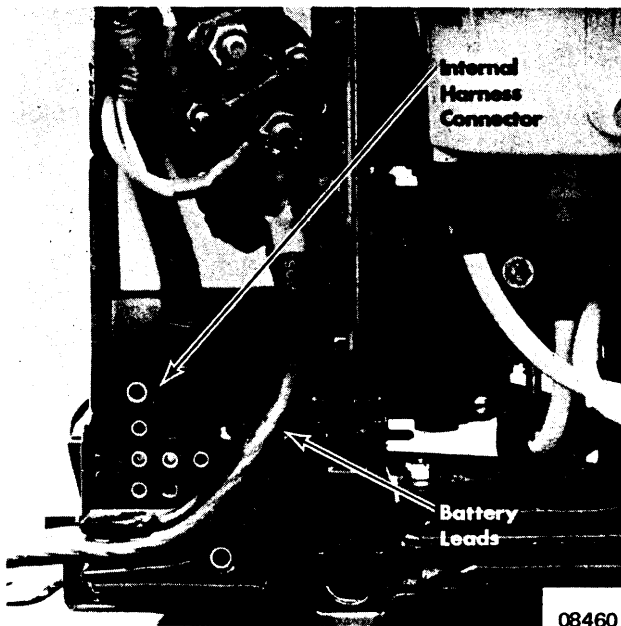


Figure 1. Internal Harness Connector and Battery Leads in Position

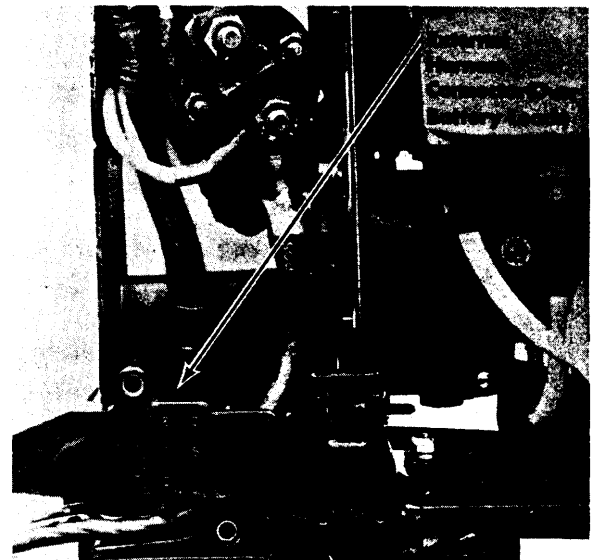


Figure 2. External Harness Connector over Battery Leads

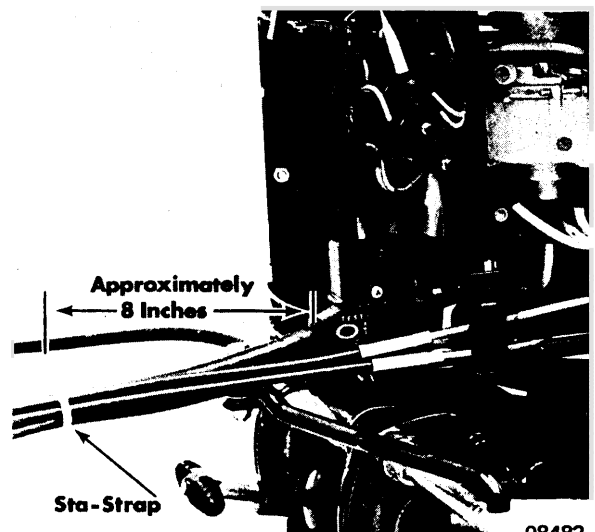


Figure 3. Sta-Strap Installed around Harness, Battery Leads and Cables

### C. WATER PUMP IMPELLER INSTALLATION

(Attach Service Bulletin Sticker on Pages 6A-7, 6B-7 and 6C-5 of Your Service Manual.)

When completing gear housing repairs that require removal of the water pump impeller, it is recommended that the impeller be replaced. If it is necessary, however, to re-use the impeller, DO NOT install in reverse to the original rotation, or premature impeller failure will occur.

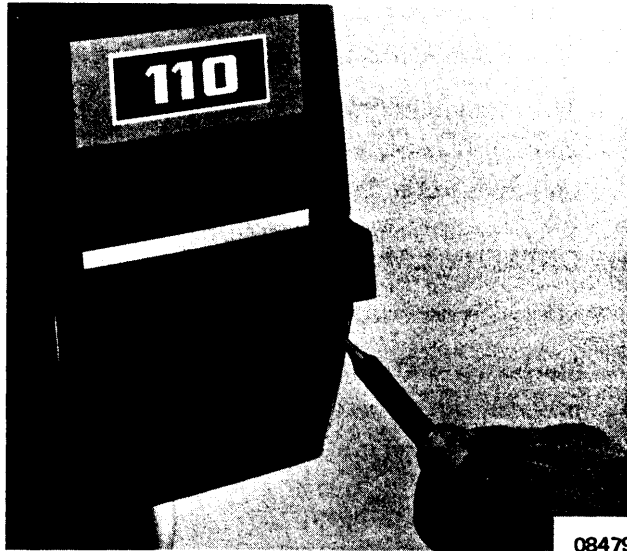
### D. EMERGENCY COWL REMOVAL - 1974 Merc 110-75

(Attach Service Bulletin Sticker on Page IA-4 of Your Service Manual.)

If the top cowl latch fails to function on a 1974 Merc 110-75, proceed as follows:

1. Insert a 11/64" (4.4mm) maximum diameter rod through the hole in the right rear of the bottom cowl, as shown in Figure 4.
2. Push the rod against the cowl release lever and remove the cowl by lifting off (up and forward).

Figure 4. Inserting Rod in Hole



### E. BOTTOM COWL DRAIN - 1974 Merc 110-75

(Attach Service Bulletin Sticker on Page 1A 4 of Your Service Manual.)

Model 1974 Merc 110-75 Outboards require 6 additional drain holes in the bottom cowl assembly. Drill the six 3/16" (4.8mm) diameter holes as shown in Figure 5.

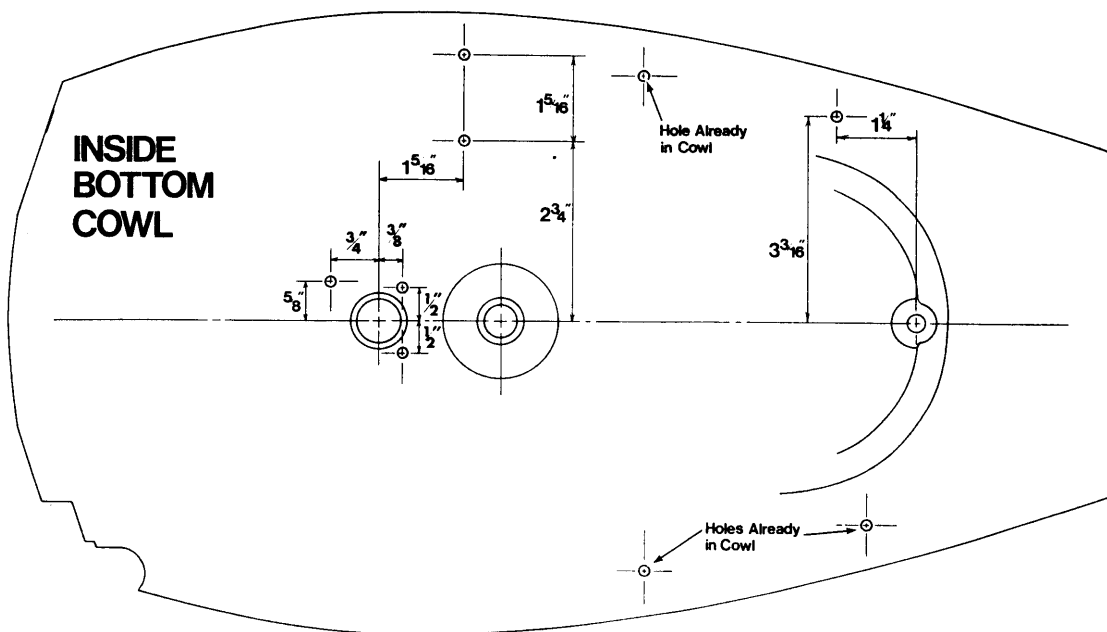


Figure 5. Six 3/16" Diameter Holes in 1974 Merc 110-75 Models