



your assurance of
outstanding service

Place in Your
"Service Bulletins" Binder

CIRCULATE TO:

Service Mgr.

Parts Mar.

Mechanics

- A. Lift Harness Assembly * Merc 402-thru-1500 (Less 650)
- B. Fuel Primer Kit for Cold Weather * Merc 200 (1973 and Newer)
- C. Power Trim Kit Conversion
- D. Gear Housing Lubrication * All 6-Cyl. and 4-Cyl. Merc 650-800-850
- E. Water Inlet Screen Replacement * 1973 and Newer Merc 402-500-650

A. LIFT HARNESS ASSEMBLY - Merc 402-thru-1500 (Less 650)

(Attach Service Bulletin Sticker on Pages 9-6 and 9-8 of Your Service Manual.)

A new, strap-type lift harness (similar to the 3-cyl. Merc 650 type) will handle models Merc 402-thru-1500, excluding the Merc 650. (Figure 1) This lift harness is useful when removing or installing the outboard from a boat, test tank, etc.

C-91-64400A5 **Lift Harness Assembly**

B. FUEL PRIMER KIT for COLD WEATHER - Merc 200 (1973 and Newer)

*(Attach Service Bulletin Sticker on Page 4B-6
of Your Service Manual.)*

A new fuel primer kit for 1973 and newer Merc 200 models will assist starting when the engine is used in cold weather. Installation and operating instructions are included in the kit.

A-68431A1 **Fuel Primer Kit**

C. POWER TRIM KIT CONVERSION

*(Attach Service Bulletin Sticker on Page 7C-3
of Your Service Manual.)*

To install Power Trim on 1975 Merc 850 and 1150 Models, order Power Trim Kit A-45194A24. Order Kit A-45194A25 for the 1975 Merc 1500. (See "Note", following.)

Existing stock of A-45194A15 and A17 Power Trim Kits also can be used on Merc 850-1150-1500 Models by ordering the appropriate parts as shown in the following chart. The A15 and A17 Kits can continue to be used on 1975 Merc 500 and 650 Models and on all 1974 and prior models that are adaptable to Power Trim.

The following parts are required to convert A 15 and A17 Power Trim Kits to A24 and A25 Kits:

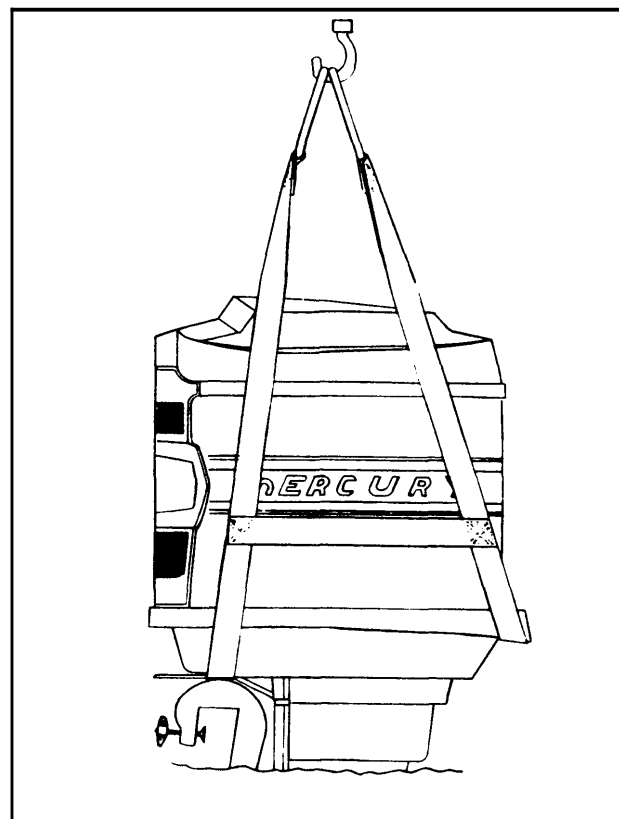


Figure 1. Lift Harness Installed

Quan.	Part No.	Description
1	A-69259	Tilt Stop Tube
1	A-69258	Tilt Stop Pin
1	C-18-36391	Cotter Pin
1	A-73519A1	Tilt Stop Strap

NOTE: Some 1975 Merc 850-1150-1500 engines have the new design swivel bracket. If the swivel bracket has the tilt stop hole located as shown in Figure 2, the new tilt stop strap (A-73519A1) also must be ordered (if not included in kit).

Figure 2. New Design Swivel Bracket for 1975 Merc 850-1150-1500



09209

D. GEAR HOUSING LUBRICATION - All 6-Cyl. and 4-Cyl. Merc 650-800-850

(Attach Service Bulletin Sticker on Page IC-4 of Your Service Manual.)

To prevent heating and expansion of the gear lubricant, caused by over-filling the gear housing, use the following filling procedure which applies to all 6-cylinder Mercury models and the 4-cylinder Merc 650-800-850.

1. Fill gear housing with Super-Duty Gear Lubricant until excess starts to flow out of the air vent screw hole.
2. At this point, drain approx. one fluid oz. (1.04 imp. oz. or 29.57cc) from the gear housing to reduce expansion of the lubricant.

E. WATER INLET SCREEN REPLACEMENT - 1973 and Newer Merc 402-500-650

(Attach Service Bulletin Sticker on Pages 6B-1 and 6C-1 of Your Service Manual.)

A new design water inlet screen -- for high performance or operation under severe conditions -- now is available as a replacement for the standard inlet screen on 1973 and newer Merc 402-500-650 models. The new screen (A-72849A1) is designed to eliminate overheating caused by loss of water pickup, such as small weed particles which might clog the small inlet holes.

A-72849A1

Water Screen Kit