

1984

NUMBER: 84-9

CIRCULATE TO:
SERVICE MANAGER
PARTS MANAGER
MECHANICS
"Place in a Service
Bulletin Binder"

FUEL PUMP IMPROVEMENT MARINER 20 (U.S. BUILT) MERC 18XD & 25XD

To improve the fuel pump capacity and to further increase reliability and durability, a design change has been incorporated on recent production. The benefits are such that we are offering warranty reimbursement for performing the design change on earlier engines within the following serial number range:

Mariner 20 (U.S. built)
S/N 6535603 thru 6583958

Mere 18XD
U.S. S/N 6443973 thru 6593578
Canada S/N 7209533 thru 7219017

Merc 25XD
U.S. S/N 6453343 thru 6593288
Canada S/N 7209933 thru 7218747

Make the modification **whenever:**

1. The owner complains of surging or running out of fuel at wide open throttle.
2. The engine is returned for routine service.

Note:

- Engines above the serial numbers specified will have the design change incorporated at the factory.
- The drill hole (see instructions) is plainly visible on engines previously modified.
- Fuel system restrictions and/or fuel system air leaks can produce the same symptoms. Be sure to test run engine with owner's fuel tank to assure problem is corrected.

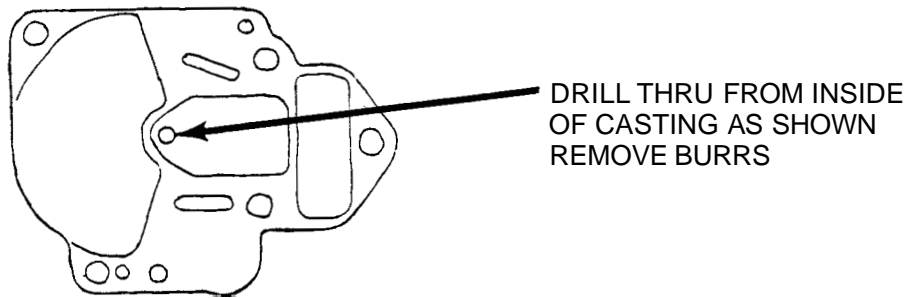
Credit for a gasket/diaphragm and .5 hours labor per engine will be issued upon return of the original gasket/diaphragm kit and warranty claim to your regional service center. You may list more than one unit on each warranty claim provided that you list **all** the serial numbers.

1395-9399

Gasket/Diaphragm Kit

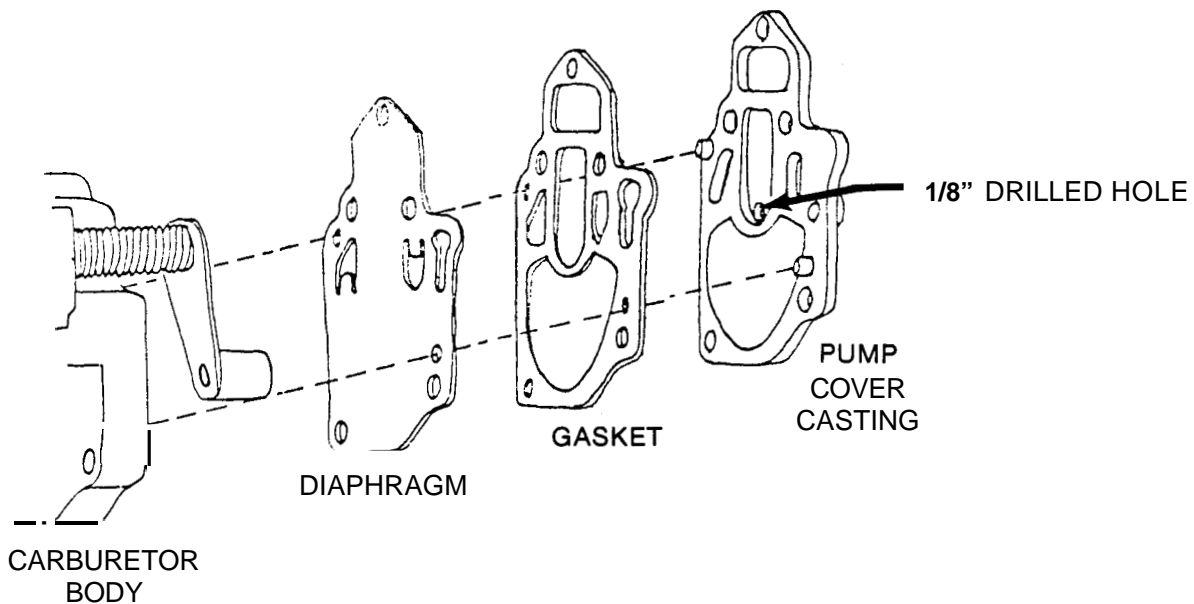
FUEL PUMP IMPROVEMENT INSTRUCTIONS

1. Disassemble fuel pump plate from carburetor, discard gasket and black diaphragm.
2. Drill $1/8"$ (.125) hole thru fuel pump cover plate as shown.



THIS VENTS THE BACK OF A PULSE CHAMBER

3. Reassemble with new gasket, and new **thicker** pump diaphragm. The new diaphragm has a greater resistance to falling into the check valve holes.



4. MERCURY MODELS ONLY- Inspect carburetor primer diaphragm assembly to assure that new primer diaphragm is installed. (Refer to Mercury service bulletin 84-6.)