

## NOTICE

This is a revision of Outboard Service Bulletin 89-9. Destroy Bulletin 89-9 and insert Bulletin 89-9A. Revisions are underlined.

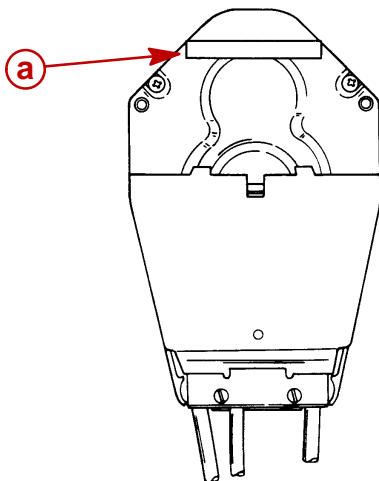
**A. Installation of Dual Engine Console Mount Commander Remote Controls 88688A22, 88688A23 and 88688A24**

**B. Replacement Gear Housings - P/N 1667-9011A6 - A8 - A29 - 3 Cylinder Model 70-75-80-90 and 4 Cylinder Model 100-115**

**C. Lower Mount Housing - Mariner 9.9 (682) and 15 (684)**

### A. INSTALLATION OF DUAL ENGINE CONSOLE MOUNT COMMANDER REMOTE CONTROLS 88688A22, 88688A23 AND 88688A24

In some cases the hand grips of the dual engine console mount controls will interfere with each other in the neutral position. This condition can usually be corrected by putting a spacer shim between the two controls using spacer shim part number 15-815547. Attach the self adhesive shim to the aluminum backing plate of one of the controls as shown in the diagram following. (Figure 1) Controls must be partially removed from console to install spacer shim.



50030

**Figure 1.**

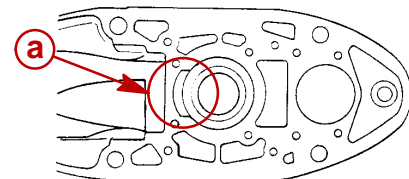
**a - 15-815547 Spacer Shim**

### B. REPLACEMENT GEAR HOUSINGS - P/N 1667-9011A6 - A8 - A29 - 3 CYLINDER MODEL 70-7580-90 AND 4 CYLINDER MODEL 100-115

There has been a modification to gear housing P/N 1667-90116A6 - A8 - A29. It requires the use of a new style plastic or an aluminum water pump base. This new plastic water pump base is made of a natural colored plastic and does not require the use of gaskets. The base has a silicone impregnated seal on the top and bottom.

The gear housings are now being manufactured to allow the use of this type of water pump base. When a replacement gear housing is shipped from parts inventory, there is a new plastic or an aluminum water pump base along with the housing. Please note, the new plastic water pump base **cannot** be used on the older gear housings. The aluminum water pump base and gasket set (P/N 43055A2) is still available as replacement for use with both the old and new gear housings.

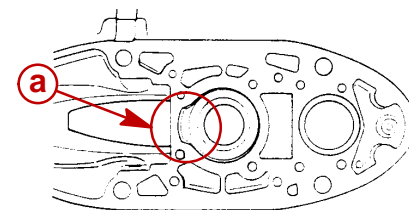
- Gear housing has an aluminum water pump base installed and requires aluminum water pump base and gasket set P/N 43055A2.



50987

- a - Gear Housing Uses Aluminum Pump Base Only**

- Gear housing has a plastic or an aluminum water pump base installed and requires plastic water pump base P/N 19282A1 or aluminum water pump base and gasket set P/N 43055A2.



50987

- a - Gear Housing Uses Plastic or Aluminum Pump Base**

### C. LOWER MOUNT HOUSING - MARINER 9.9 (682) AND 15 (684)

Lower rubber mount housings on models listed are NLA. If replacement is necessary, replace both port and starboard housings and the two bolts. (Figure 2)

P/N 84035M	Housing (port)	NLA
P/N 84036M	Housing (starboard)	NLA

Replace both housings and two bolts with:

One P/N 94575M Housing (port) - Thicker  
One P/N 94614M Housing (starboard) -Thicker  
Two P/N 10-94615M Bolt -5mm longer

#### Models Affected

9.9 (682)      M-007650 and below  
                  ML-308439 and below  
                  E-250515 and below  
                  EL-551055 and below

15 (684)      M-003065 and below  
                  ML-303990 and below  
                  E-250380 and below  
                  EL-550755 and below

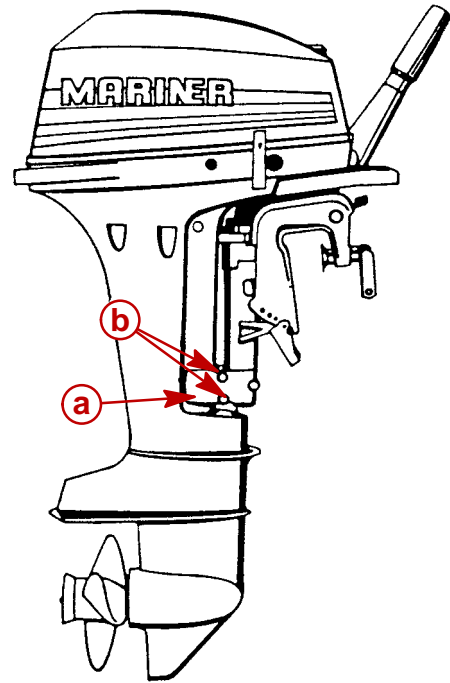


Figure 2.

**a** - Lower Mount Housing  
**b** - Bolts 80mm