



# Service Bulletin

Warranty Information

Service Information

Bulletin No. 2003-09

Parts Information

OEM No. 2003-04

Circulate to:  Sales Manager  Accounting  Service Manager  Technician  Parts Manager

## Official Recall Notification United States Federal Boat Safety Act 225 EFI FourStroke Throttle Sticking

### Models Affected

225 EFI FOURSTROKE ENGINES SERIAL NUMBERS 0T653945 THROUGH 0T862518

### Situation

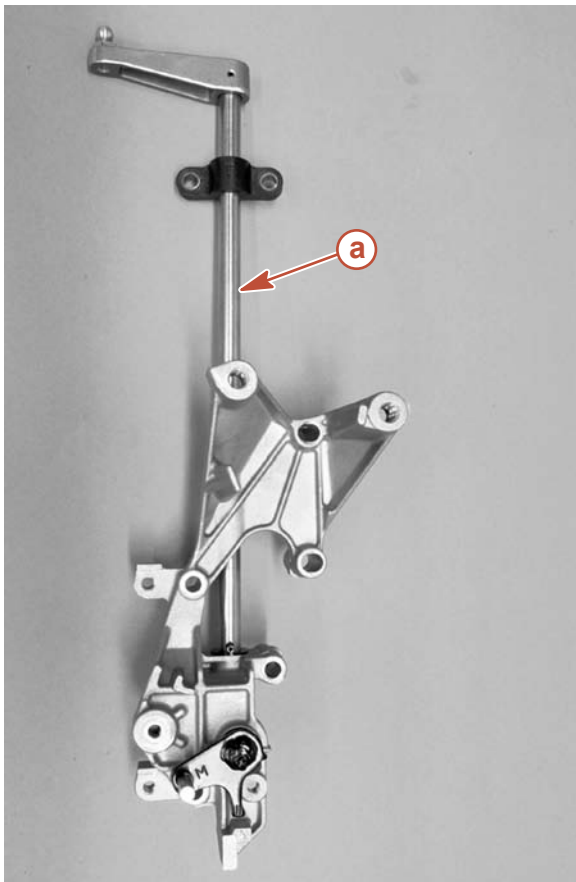
The 225 EFI FourStroke outboards in question may not return all the way to idle after being at an elevated engine RPM level, in either forward or reverse, when pulling the remote control throttle lever back to the neutral position. Instead, the engine may stay at a fast idle speed (1200 - 2000 RPM) that may prevent the operator from disengaging the shift mechanism and shifting into neutral. If this condition occurs, the boat would continue to move forward (or reverse if the engine was in reverse at the time the condition occurs) until the operator shuts off the engine. The root cause of this condition is excessive binding in the throttle system due to out of specification bushings in the throttle control assembly.

THE INFORMATION IN THIS DOCUMENT IS CONFIDENTIAL AND PROTECTED BY COPYRIGHT AND IS THE PROPERTY OF MERCURY MARINE.

This document is provided for the sole and exclusive use of the original recipient as prescribed by Mercury Marine and may not be distributed or copied, digitally or otherwise, without the prior written consent of Mercury Marine.

## Correction

A replacement Throttle Control Assembly 892660A01 will be required. This unit will have the updated bushings installed.



**a** - Throttle Control Assembly 892660A01

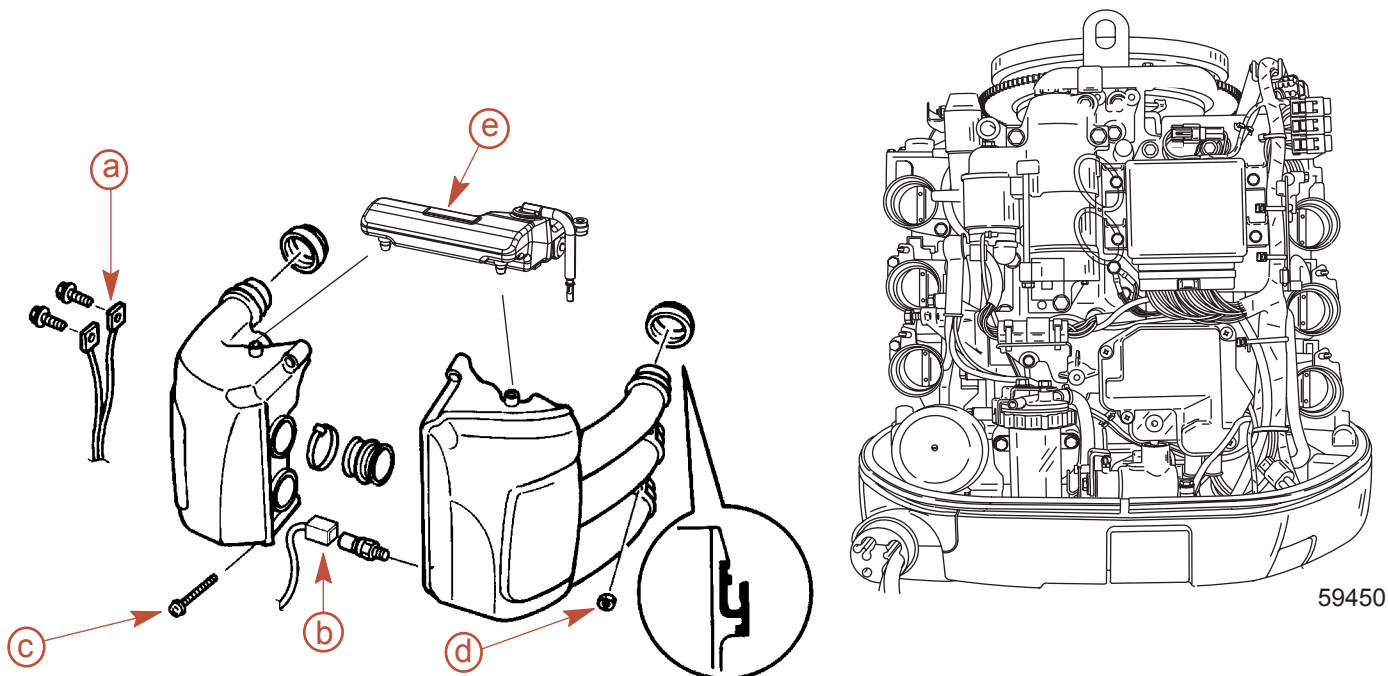
## Repair Procedure

1. Disconnect battery cables.
2. Unplug air temperature sensor harness connector.
3. Remove intake silencer mounting screws and nuts.

THE INFORMATION IN THIS DOCUMENT IS CONFIDENTIAL AND PROTECTED BY COPYRIGHT AND IS THE PROPERTY OF MERCURY MARINE.

This document is provided for the sole and exclusive use of the original recipient as prescribed by Mercury Marine and may not be distributed or copied, digitally or otherwise, without the prior written consent of Mercury Marine.

4. Remove the intake silencer assembly.

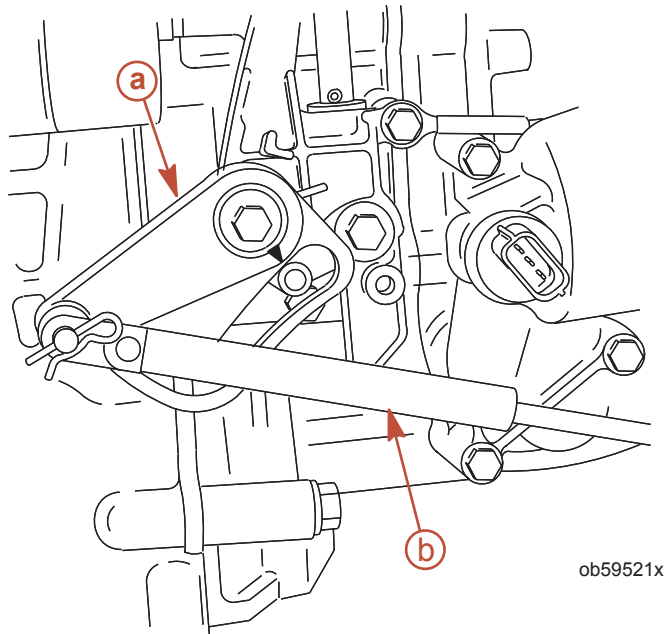


- a** - Battery cables
- b** - Air temperature sensor connector harness
- c** - Intake silencer mounting screws (4) M6 x 45
- d** - Intake silencer mounting nuts (4)
- e** - Secondary Vapor Separator (SVS)

THE INFORMATION IN THIS DOCUMENT IS CONFIDENTIAL AND PROTECTED BY COPYRIGHT AND IS THE PROPERTY OF MERCURY MARINE.

This document is provided for the sole and exclusive use of the original recipient as prescribed by Mercury Marine and may not be distributed or copied, digitally or otherwise, without the prior written consent of Mercury Marine.

5. Remove throttle cable and cam from the throttle control assembly.



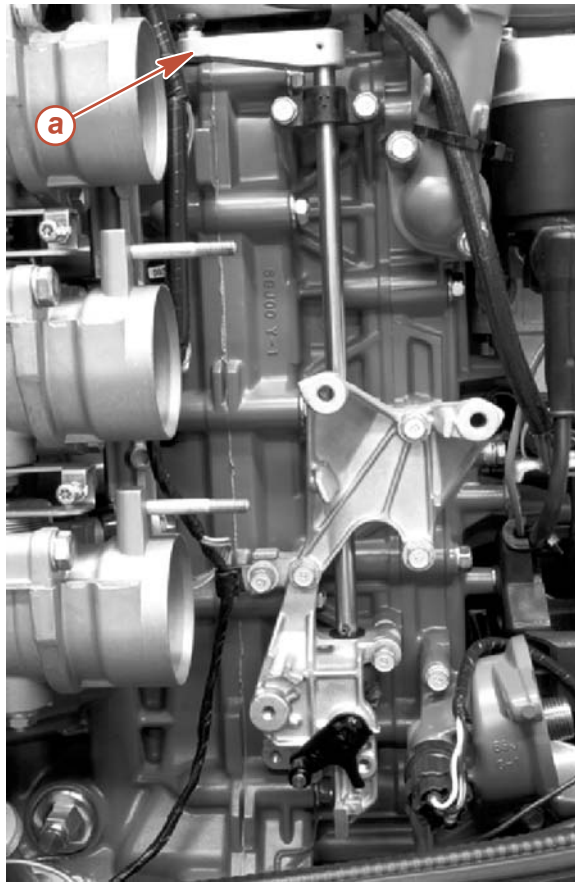
**a** - Cam

**b** - Throttle cable

THE INFORMATION IN THIS DOCUMENT IS CONFIDENTIAL AND PROTECTED BY COPYRIGHT AND IS THE PROPERTY OF MERCURY MARINE.

This document is provided for the sole and exclusive use of the original recipient as prescribed by Mercury Marine and may not be distributed or copied, digitally or otherwise, without the prior written consent of Mercury Marine.

6. Disconnect the upper link rod from the control lever by prying upward with a screwdriver. Do not turn the link rod as it will result in throttle linkage misadjustment.

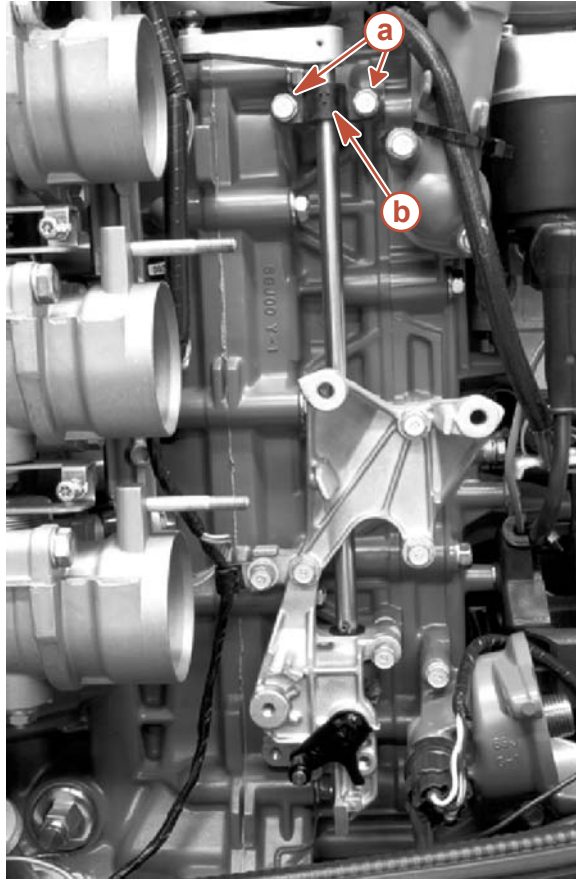


**a** - Control lever

THE INFORMATION IN THIS DOCUMENT IS CONFIDENTIAL AND PROTECTED BY COPYRIGHT AND IS THE PROPERTY OF MERCURY MARINE.

This document is provided for the sole and exclusive use of the original recipient as prescribed by Mercury Marine and may not be distributed or copied, digitally or otherwise, without the prior written consent of Mercury Marine.

7. Remove the two screws attaching the throttle shaft guide.



**a** - Screws

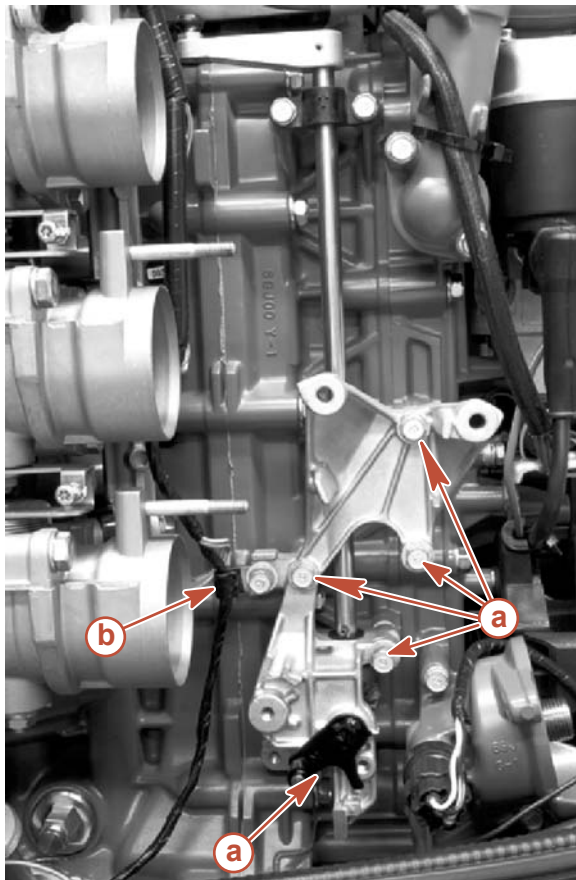
**b** - Throttle shaft guide

8. Remove the J-clip and mounting screw.

THE INFORMATION IN THIS DOCUMENT IS CONFIDENTIAL AND PROTECTED BY COPYRIGHT AND IS THE PROPERTY OF MERCURY MARINE.

This document is provided for the sole and exclusive use of the original recipient as prescribed by Mercury Marine and may not be distributed or copied, digitally or otherwise, without the prior written consent of Mercury Marine.

9. Remove five screws from throttle control assembly.



**a** - Screws

**b** - J-clip and screw

10. Remove the throttle control assembly.

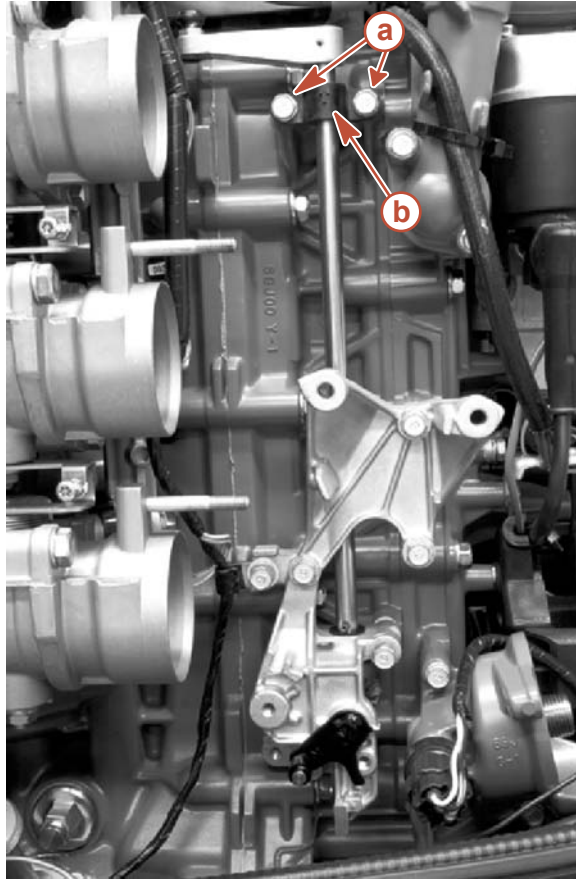
## Installation Instructions

1. Install new throttle control assembly. Apply 2-4-C with Teflon Lubricant on the two throttle shaft gears of the new throttle control assembly.

THE INFORMATION IN THIS DOCUMENT IS CONFIDENTIAL AND PROTECTED BY COPYRIGHT AND IS THE PROPERTY OF MERCURY MARINE.

This document is provided for the sole and exclusive use of the original recipient as prescribed by Mercury Marine and may not be distributed or copied, digitally or otherwise, without the prior written consent of Mercury Marine.

2. Secure throttle shaft guide with two screws. Torque screws to specifications.



**a** - Screws

**b** - Throttle shaft guide

Ref. No.	Description	Nm.	lb-in.	lb-ft.
a	Screws	8.0	70	5.8

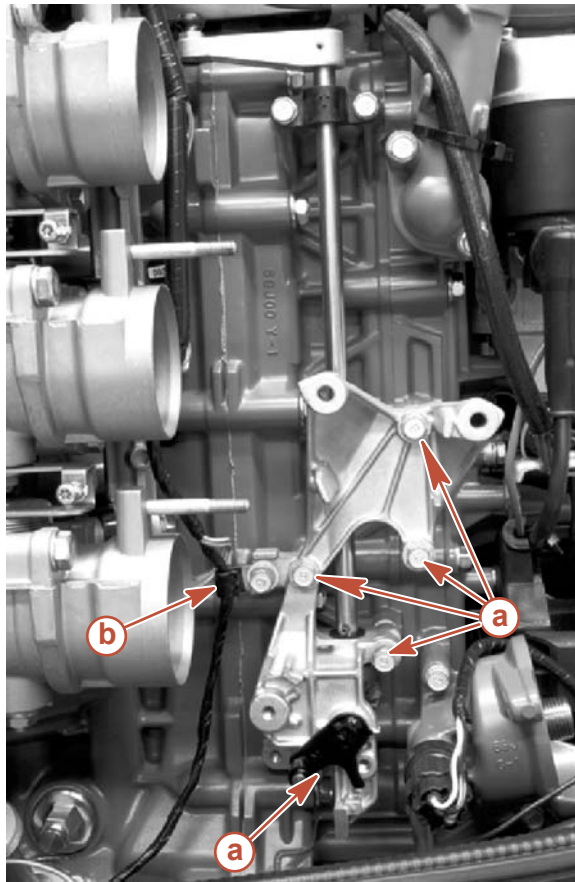
3. Secure throttle control assembly with 5 screws. Torque screws to specifications.

THE INFORMATION IN THIS DOCUMENT IS CONFIDENTIAL AND PROTECTED BY COPYRIGHT AND IS THE PROPERTY OF MERCURY MARINE.

This document is provided for the sole and exclusive use of the original recipient as prescribed by Mercury Marine and may not be distributed or copied, digitally or otherwise, without the prior written consent of Mercury Marine.



4. Attach wire harness with J-clip to throttle control assembly with screw. Torque screw to specifications.



**a** - Screws

**b** - J-clip and screw

Ref. No.	Description	Nm.	lb-in.	lb-ft.
a	Screws	8.0	70	5.8
b	Screw	8.0	70	5.8

THE INFORMATION IN THIS DOCUMENT IS CONFIDENTIAL AND PROTECTED BY COPYRIGHT AND IS THE PROPERTY OF MERCURY MARINE.

This document is provided for the sole and exclusive use of the original recipient as prescribed by Mercury Marine and may not be distributed or copied, digitally or otherwise, without the prior written consent of Mercury Marine.

5. Install upper link rod to control lever.

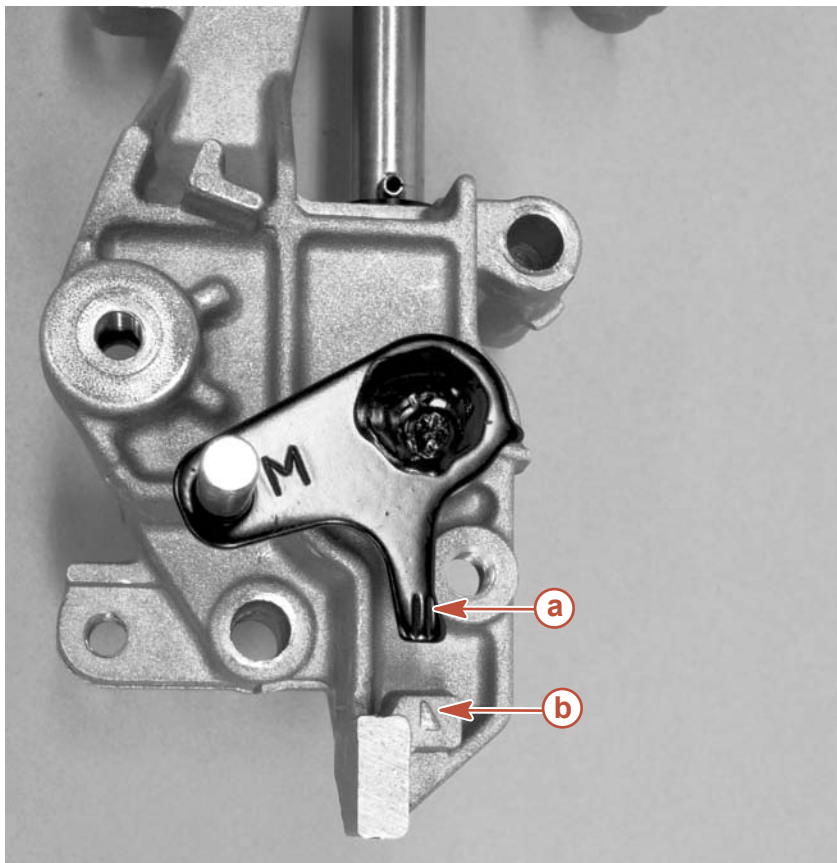


**a** - Control lever

THE INFORMATION IN THIS DOCUMENT IS CONFIDENTIAL AND PROTECTED BY COPYRIGHT AND IS THE PROPERTY OF MERCURY MARINE.

This document is provided for the sole and exclusive use of the original recipient as prescribed by Mercury Marine and may not be distributed or copied, digitally or otherwise, without the prior written consent of Mercury Marine.

**NOTE:** Once the unit is installed, verify that the throttle arm marks are aligned with the casting mark when the throttle plates are closed (idle position). If necessary, adjust the upper control arm link rod to align the marks properly.



**a** - Alignment marks

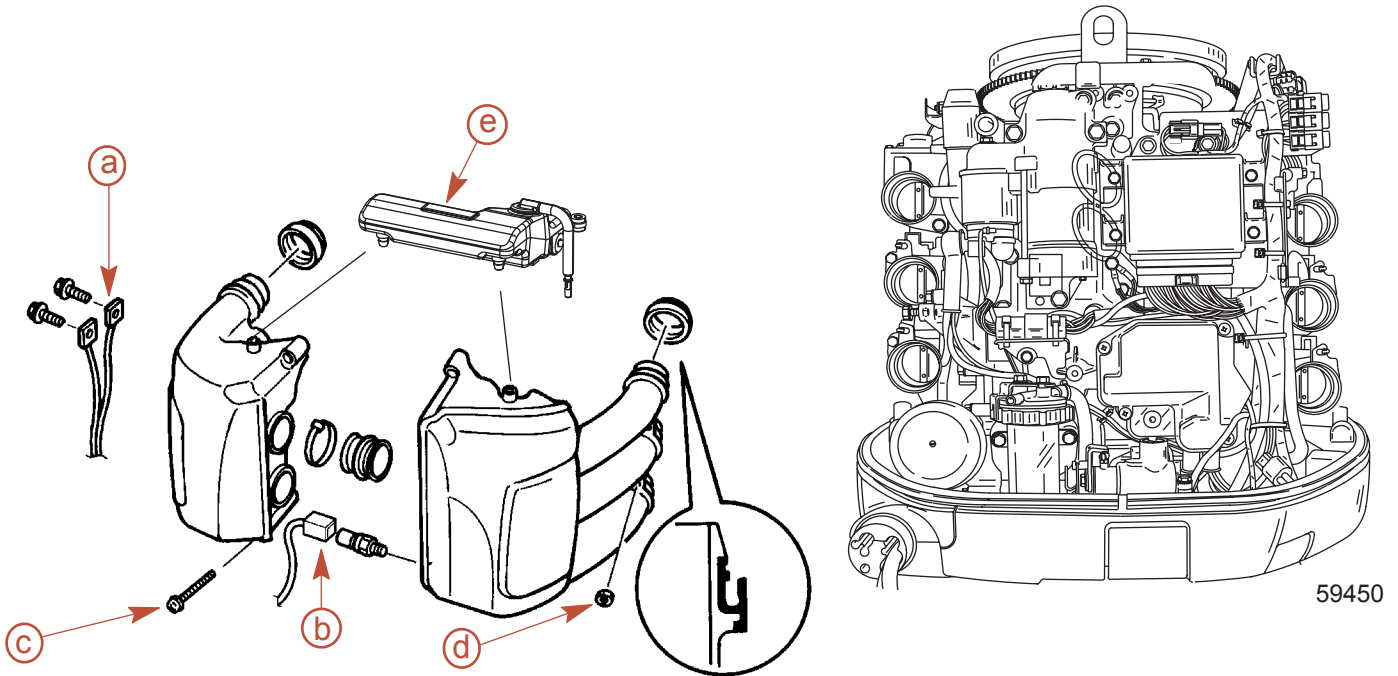
**b** - Casting mark

6. Reinstall the throttle cam and throttle cable. Refer to **Section 2C of Service Manual 90-888465** for proper adjustment procedures.
7. Reinstall intake silencer assembly. Torque attaching screws and nuts to specifications.

THE INFORMATION IN THIS DOCUMENT IS CONFIDENTIAL AND PROTECTED BY COPYRIGHT AND IS THE PROPERTY OF MERCURY MARINE.

This document is provided for the sole and exclusive use of the original recipient as prescribed by Mercury Marine and may not be distributed or copied, digitally or otherwise, without the prior written consent of Mercury Marine.

8. Reconnect air temperature sensor harness and breather hose.



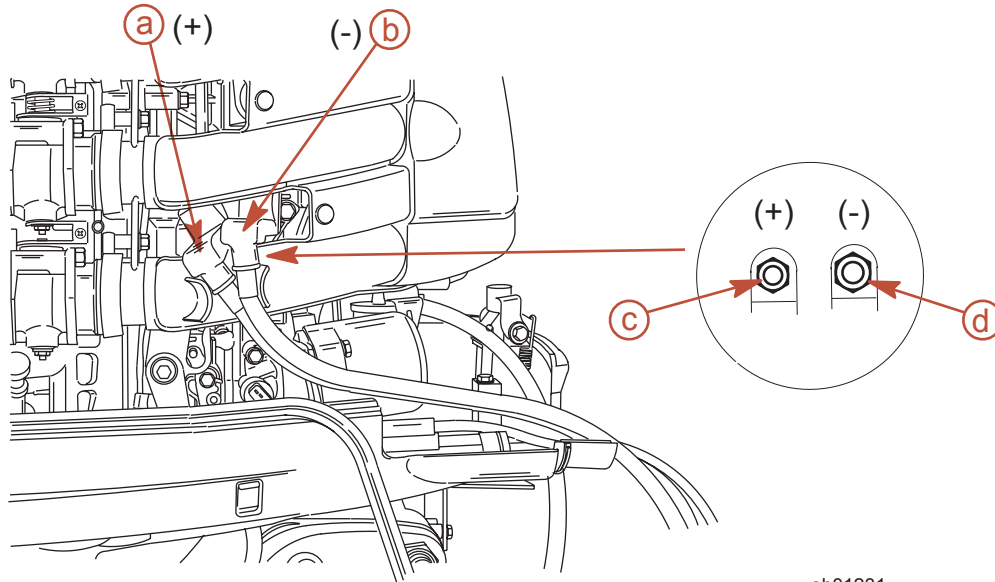
- a** - Battery cables
- b** - Air temperature sensor connector harness
- c** - Intake silencer mounting screws (4) M6 x 45
- d** - Intake silencer mounting nuts (4)
- e** - Secondary Vapor Separator (SVS)

Ref. No.	Description	Nm.	lb-in.	lb-ft.
c	Intake silencer mounting screws M6 x 45	8.0	70	5.8
d	Intake silencer mounting nuts	8.0	70	5.8

THE INFORMATION IN THIS DOCUMENT IS CONFIDENTIAL AND PROTECTED BY COPYRIGHT AND IS THE PROPERTY OF MERCURY MARINE.

This document is provided for the sole and exclusive use of the original recipient as prescribed by Mercury Marine and may not be distributed or copied, digitally or otherwise, without the prior written consent of Mercury Marine.

9. Reconnect battery cables. Torque to specifications.



ob01231

- a** - Battery cable - red sleeve (Positive)
- b** - Battery cable - black sleeve (Negative)
- c** - Screw M6 x 13
- d** - Screw M8 x 20

Ref. No.	Description	Nm.	lb-in.	lb-ft.
c	Screw M6 x 13	8	70	5.8
d	Screw M8 x 20	18	160	13.3

THE INFORMATION IN THIS DOCUMENT IS CONFIDENTIAL AND PROTECTED BY COPYRIGHT AND IS THE PROPERTY OF MERCURY MARINE.

This document is provided for the sole and exclusive use of the original recipient as prescribed by Mercury Marine and may not be distributed or copied, digitally or otherwise, without the prior written consent of Mercury Marine.

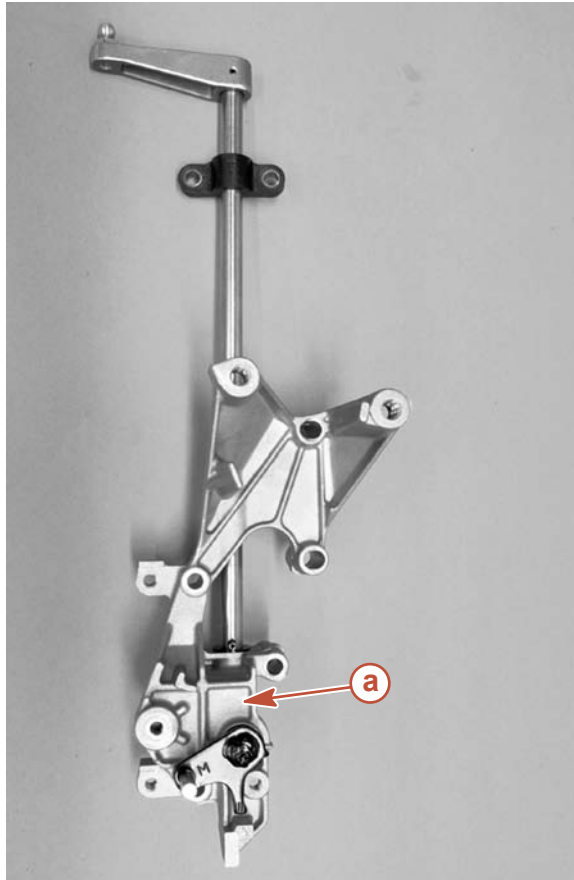
## Parts Required

- Throttle Control Assembly- 892660A01

**NOTE:** This component will require a pre-authorization.

## Repair Identification

Engines reworked at the factory will have a black mark located on the lower end of the throttle control assembly.



**a** - Location of black identification mark

## Owner Notification

All registered owners with engine serial numbers 0T653945 through 0T862518 were sent letters as of September 16th, 2003, notifying them of this possible condition. This letter advised the customer that parts would become available October 22, 2003, and to contact their dealer to set up an appointment for repair work at that time.

## Part Interchangeability

In the future, Bushing Kit 23-892661A01 will be required when replacing bushings in the throttle control linkage assembly. Our parts catalog system will recognize your need and make the appropriate recommendation.

THE INFORMATION IN THIS DOCUMENT IS CONFIDENTIAL AND PROTECTED BY COPYRIGHT AND IS THE PROPERTY OF MERCURY MARINE.

This document is provided for the sole and exclusive use of the original recipient as prescribed by Mercury Marine and may not be distributed or copied, digitally or otherwise, without the prior written consent of Mercury Marine.

## Warranty

Be aware that a pre-authorization will be required for each engine requiring this new assembly. Have the following information ready.

Complete Warranty Claim Listing	
Outboard Serial Number	
Qty. 1	P/N 892660A01 Throttle Control Assembly
Labor Rate	1.3 Hour
Warranty Flat Rate Code	SB10 (1.0 hrs.) and SB03 (0.3 hrs.)
Part Code	726
Failure Code (NJC if not used)	40

## United States and Canada

### MERCNET DEALERS

Submit a request for pre-authorization on MercNET with all of the information requested.

### NON-MERCNET DEALERS

Please contact Outboard Technical Service for a pre-authorization at 920-929-5884. Representatives are available Monday through Friday from 7:30AM to 5:30PM Central Time. Have all of the required information available.

### ALASKA AND HAWAII DEALERS

Complete and process claim. Discard old parts.

### INTERNATIONAL

Follow instructions issued by Marine Power International office or by your distributor.

## Parts Return Procedure

### UNITED STATES AND CANADA

Return with warranty claim, except Alaska and Hawaii.

### INTERNATIONAL

Follow instructions issued by Marine Power International office or by your distributor.

THE INFORMATION IN THIS DOCUMENT IS CONFIDENTIAL AND PROTECTED BY COPYRIGHT AND IS THE PROPERTY OF MERCURY MARINE.

This document is provided for the sole and exclusive use of the original recipient as prescribed by Mercury Marine and may not be distributed or copied, digitally or otherwise, without the prior written consent of Mercury Marine.