



Service Bulletin

OEM No. 2004-06R1

Bulletin No. 2004-06R1

Circulate to: Sales Manager Accounting Service Manager Technician Parts Manager

▲ = Revised December 2004. This bulletin supercedes the previous bulletin 2004-06 July 2004.

Remote Control Requirement for 2005 Model Year 8/9.9 HP FourStroke Outboards

Models Affected

Models Covered	Serial Number Or Year
Mercury/Mariner 8 HP & 9.9 HP FourStroke Outboards with standard gearcase	Remote control models only ▲ Serial Number 0R042475 through 0R052327

Situation

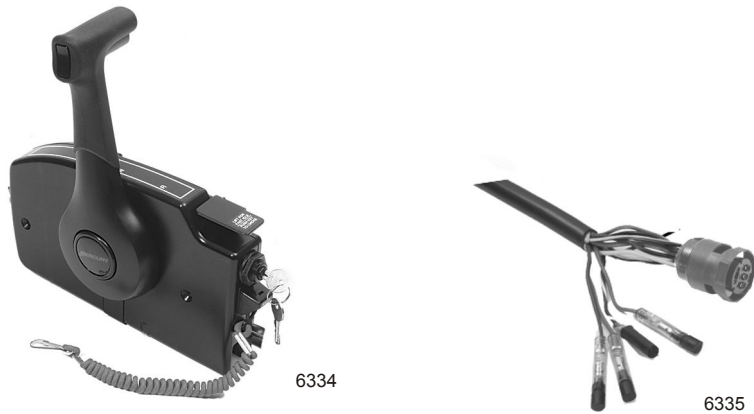
▲ The FourStroke outboard product within the serial number range listed above will only accept the Mercury side mounted remote control box and the Quicksilver part number 64-809894__ series "SAE" throttle/shift cables as listed below. These engines have a shorter shift stroke than Mercury's other product offerings and require the use of this style control box and cables. Engines built after serial number 0R052327 incorporate changes that allow this engine to be compatible with all of Mercury Marine's control box offerings, however, this engine will continue to use the "SAE" ended cables. Please refer to the diagrams below.

1. Select desired side mount control; 881170A 4 (manual) or 881170A10, 11, or 12 (electric).

THE INFORMATION IN THIS DOCUMENT IS CONFIDENTIAL AND PROTECTED BY COPYRIGHT AND IS THE PROPERTY OF MERCURY MARINE.

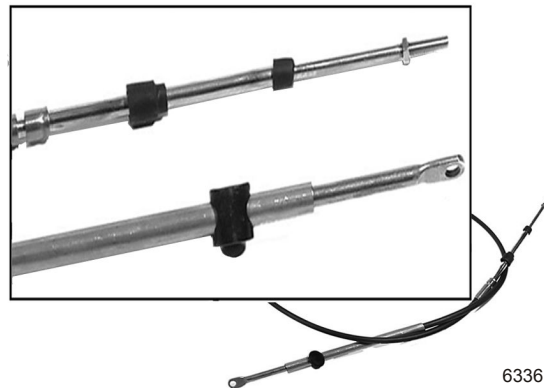
This document is provided for the sole and exclusive use of the original recipient as prescribed by Mercury Marine and may not be distributed or copied, digitally or otherwise, without the prior written consent of Mercury Marine.

NOTE: These electric model controls have the new Amp 10-pin connector to connect directly to the electric model outboard.

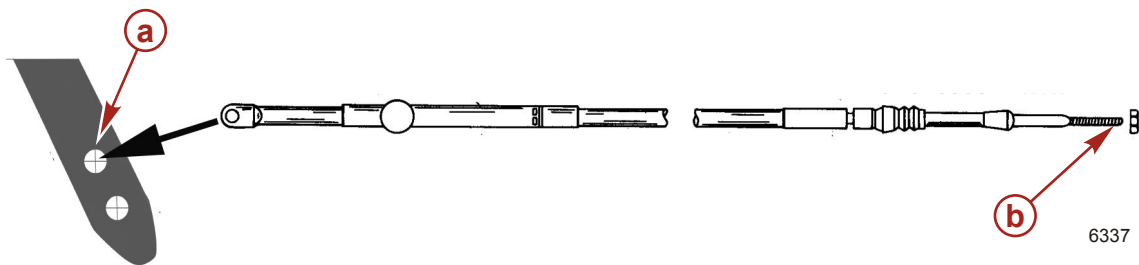


2. Select the correct length throttle/shift cables [64-809894__ (cable lengths 5 - 40 ft.)]

NOTE: These cables must be used with this control. They have GEN I control ends and SAE engine ends.



3. Install the control end into the side mount control in accordance with the special instructions shown. The upper control end attaching hole on a standard gearcase is required.



a - Control end attaching hole

b - Engine end

THE INFORMATION IN THIS DOCUMENT IS CONFIDENTIAL AND PROTECTED BY COPYRIGHT AND IS THE PROPERTY OF MERCURY MARINE.

This document is provided for the sole and exclusive use of the original recipient as prescribed by Mercury Marine and may not be distributed or copied, digitally or otherwise, without the prior written consent of Mercury Marine.

Correction

▲ If you should receive a boat with an 8/9.9 2005 model year FourStroke engine within the specified serial number range rigged incorrectly, please review the following options with the customer as possible solutions:

- If the boat has a Mercury side mount control box, please contact Mercury Technical Service (920-929-5884) for pre authorization to install 809894__ series cables at no cost to the customer. Please note that a remote control adapter (892473A01) may also be required. Please review the engine's installation/operations manual for clarification
- If the boat is rigged with a control box other than Mercury's side mounted control box, review these options with the customer:
 - Installation of an 881170A_ side mounted control box and 809894__ series cables at no cost to the customer.
 - If a side mounted control box can not be mounted in this boat, contact Mercury Marine's sales department to discuss further options for the customer.

▲ Any engine built after serial number 0R052327 will accept all of Mercury Marine's current control box offerings, and will not require any special adjustment or model of control box. Those engines will not be covered under this service bulletin for any warranty adjustment.

Warranty

Please be aware that installation of these parts requires a pre authorization from Mercury Marine Technical Service.

- Outboard Serial Number
- Qty. 2 809894__
- **OR** Qty. 2 809894__ and Qty. 1 881170A__
- Labor rate 1 hour if replacing cables only
- Warranty flat rate code is SB10
- Labor 1.3 if replacing cables and remote control box
- Warranty flat rate code is SB10 and SB03
- Part Code 352
- Fail code is 00

Please submit warranty claim and hold parts for 30 days pending notification of any parts return requests.

THE INFORMATION IN THIS DOCUMENT IS CONFIDENTIAL AND PROTECTED BY COPYRIGHT AND IS THE PROPERTY OF MERCURY MARINE.

This document is provided for the sole and exclusive use of the original recipient as prescribed by Mercury Marine and may not be distributed or copied, digitally or otherwise, without the prior written consent of Mercury Marine.