

OEM No. 2004-07

Bulletin No. 2004-07

Circulate to:  Sales Manager  Accounting  Service Manager  Technician  Parts Manager

## Installation of Neoprene Wrap 1.5 L OptiMax

### Models Affected

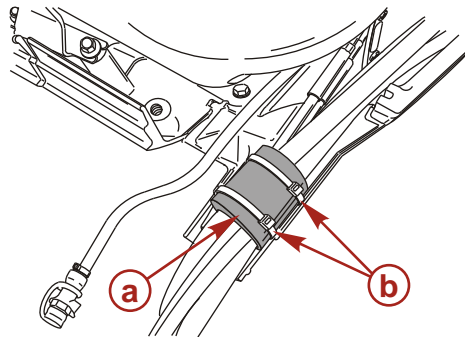
Models Covered	Serial Number or Year
1.5 Liter OptiMax 75/90/115 hp	0T801000 and above

### Situation

The control cables, harness, fuel hose, etc. have a neoprene wrap placed around them where they enter the bottom cowl. If the neoprene wrap does not fit tightly enough, it may be drawn or sucked into the power head compartment, ending up in front of the reed valves or throttle plate, restricting the air flow. The restriction can result in a loss of top RPM, spark plug fouling, engine stalling, or a no start condition.

### Correction

Position the neoprene wrap as shown in the sketch below and place 2 cable ties around the neoprene wrap to hold it in place. Install the cable ties near the front and rear edge of the neoprene wrap.



**a** - Neoprene wrap

**b** - Cable ties (2)

THE INFORMATION IN THIS DOCUMENT IS CONFIDENTIAL AND PROTECTED BY COPYRIGHT AND IS THE PROPERTY OF MERCURY MARINE.

This document is provided for the sole and exclusive use of the original recipient as prescribed by Mercury Marine and may not be distributed or copied, digitally or otherwise, without the prior written consent of Mercury Marine.