

Circulate to: Sales Manager Accounting Service Manager Technician Parts Manager

40/50/60 HP FourStroke Cowl Drain Valve Replacement and Top Cowl Latch Adjustment

Models Affected

Models Covered	Serial Number
40/50/60 HP FourStroke Outboard	1C050252–1C069238 may require the cowl drain replacement and the top cowl latch adjustment
	1C069239–1C076769 may require only the top cowl latch adjustment

Situation

Under unique operating conditions, some of the above listed engines may experience a poor running condition due to water entering the cowling of the outboard. This problem may be more pronounced where heavy boat spray is present or in an application that requires the engine to have a low mounting height. Mercury Marine has improved the cowl drains and also changed the rear cowl latch mounting procedure to allow for top cowl adjustment, thereby improving the sealing of the cowl.

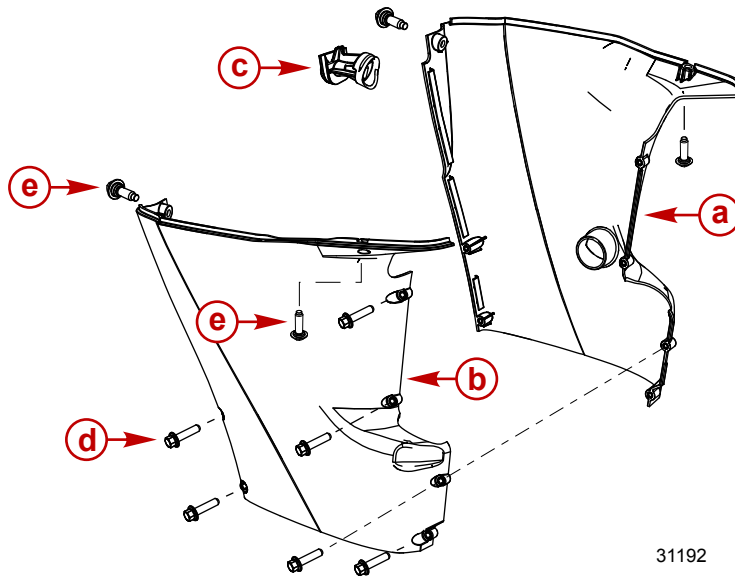
Correction

IMPORTANT: Before replacing the cowl drains and adjusting the top cowl fit, be sure to check for proper boat rigging. Pay close attention to any cables, wiring, transducers, pickups, or other boat components dragging in the water that could cause additional spray on the engine.

THE INFORMATION IN THIS DOCUMENT IS CONFIDENTIAL AND PROTECTED BY COPYRIGHT AND IS THE PROPERTY OF MERCURY MARINE.

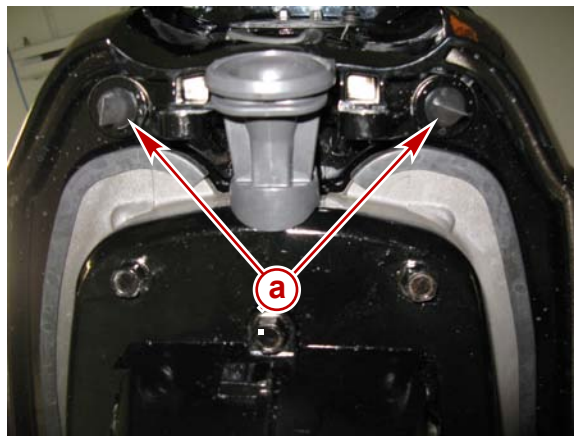
This document is provided for the sole and exclusive use of the original recipient as prescribed by Mercury Marine and may not be distributed or copied, digitally or otherwise, without the prior written consent of Mercury Marine.

NOTE: The installation of the replacement drains requires the removal of the top cowling and chaps. Please refer to the appropriate service manual for removal and installation instructions.



- a - Port chap
- b - Starboard chap
- c - Idle relief port boot
- d - Black flange bolt (M6 x 25) (6)
- e - Black flange bolt (M6 special shoulder) (4)

1. Remove the cowl drains (there is one located on each aft rear corner of the engine).



a - Cowl drains


2. Install replacement slotted cowl drain valves.

NOTE: Lubrication may be required to install replacement drain valves. If lubrication is required, use soapy water.

3. Reinstall the chaps. Apply Loctite 242 Threadlocker to the bolt threads and torque to specification.

THE INFORMATION IN THIS DOCUMENT IS CONFIDENTIAL AND PROTECTED BY COPYRIGHT AND IS THE PROPERTY OF MERCURY MARINE.

This document is provided for the sole and exclusive use of the original recipient as prescribed by Mercury Marine and may not be distributed or copied, digitally or otherwise, without the prior written consent of Mercury Marine.

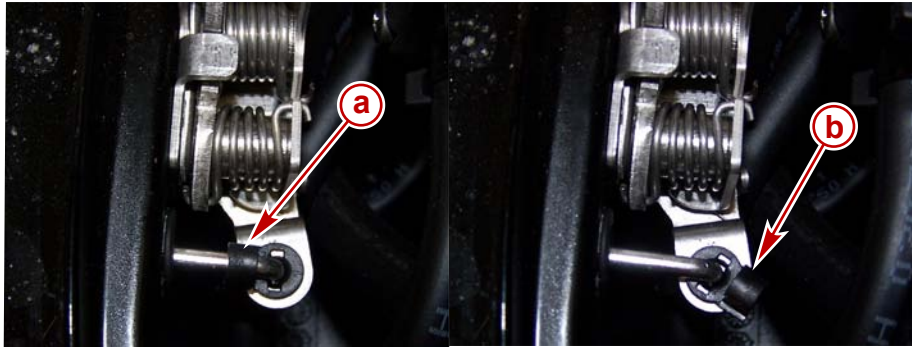
Tube Ref No.	Description	Where Used	Part No.
 66	Loctite 242 Threadlocker	Cowl bolt threads	92-809821

Description	Nm	lb. in.	lb. ft.
Bolt (M6 x 25) (6)	8.5	75	
Bolt (M6 special shoulder) (4)	10	88.5	

Top Cowl Latch Adjustment Procedure

NOTE: If the top cowl has a tight fit, this procedure is not required.

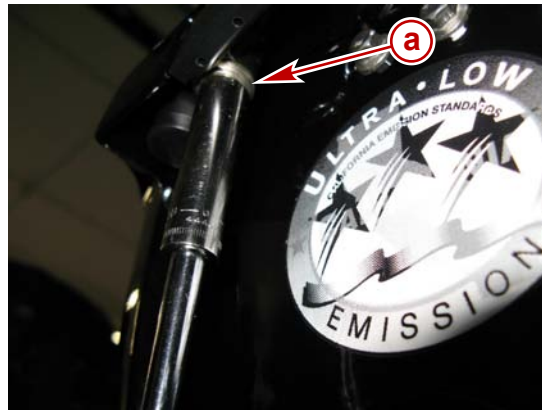
1. Remove top cowl.
2. Release the retaining clip securing the latch actuator link to the cowl latch.



35182

- a** - Retainer clip installed
- b** - Retainer clip disconnected

3. Remove the bolt securing the latch handle to the lower cowling and remove the latch handle.



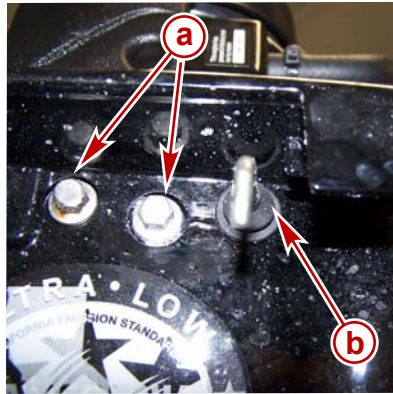
35185

- a** - Latch handle bolt

THE INFORMATION IN THIS DOCUMENT IS CONFIDENTIAL AND PROTECTED BY COPYRIGHT AND IS THE PROPERTY OF MERCURY MARINE.

This document is provided for the sole and exclusive use of the original recipient as prescribed by Mercury Marine and may not be distributed or copied, digitally or otherwise, without the prior written consent of Mercury Marine.

- Remove the two bolts securing the latch to the lower cowl and remove the latch assembly.



35186

- a** - Latch bolts
- b** - Actuator link

- Using an 8 mm (5/16 in.) drill, enlarge the two latch mounting bolt holes.

NOTE: Care must be taken when drilling out the mounting holes due to fuel system components behind the drilling location.



35187

- a** - Cowl latch mounting bolt holes

- Use black touch-up paint to cover the aluminum exposed during the drilling process.
- Allow the touch-up paint to dry for 30 minutes.
- Reinstall and reposition the cowl latch assembly. The latch should be positioned at the bottom of the newly enlarged holes. The latch bolts should then be reinstalled.

Description	Nm	lb. in.	lb. ft.
Cowl latch mounting bolts (2)	Drive tight		

NOTE: It may be necessary to loosen and retighten the latch mounting bolts to obtain a proper cowl fit.

Parts Required

Qty.	Description	Part Number
2	Cowl drain	888819003

THE INFORMATION IN THIS DOCUMENT IS CONFIDENTIAL AND PROTECTED BY COPYRIGHT AND IS THE PROPERTY OF MERCURY MARINE.

This document is provided for the sole and exclusive use of the original recipient as prescribed by Mercury Marine and may not be distributed or copied, digitally or otherwise, without the prior written consent of Mercury Marine.

Repair Identification

Engines reworked should have a white paint dot applied to the camshaft cover by the inspection sticker.



35188

a - Paint dot indicating rework procedure has been performed

Warranty

Mercury Marine will credit the dealer for the cost of parts and labor. Complete warranty claim listing:

- Outboard serial number
- 0.7 hour labor – Replace cowl drains and adjust cowl latch
- Warranty flat rate code: SB07
- Qty. 2, cowl drain – P/N 888819003
- Part code: 906
- Fail code: 00

or

- Outboard serial number
- 0.5 hour labor – Replace cowl drains only
- Warranty flat rate code: SB05
- Qty. 2, cowl drain – P/N 888819003
- Part code: 906
- Fail code: 00

or

- Outboard serial number
- 0.2 hour labor – Adjust cowl latch only
- Warranty flat rate code: SB02
- Part code: 906
- Fail code: 00

US AND CANADA

Complete and process the claim via MercNET or return a warranty claim form.

INTERNATIONAL

Follow instructions issued by the Brunswick Marine Europe office or by an authorized Marine Power Distributor.

THE INFORMATION IN THIS DOCUMENT IS CONFIDENTIAL AND PROTECTED BY COPYRIGHT AND IS THE PROPERTY OF MERCURY MARINE.

This document is provided for the sole and exclusive use of the original recipient as prescribed by Mercury Marine and may not be distributed or copied, digitally or otherwise, without the prior written consent of Mercury Marine.