

Circulate to: Sales Manager Accounting Service Manager Technician Parts Manager

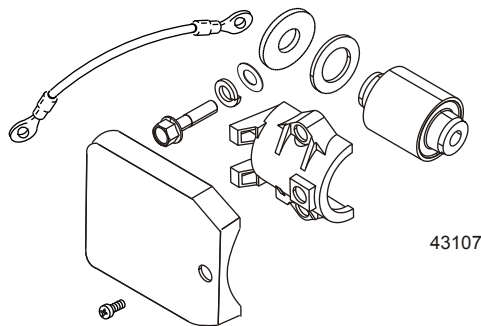
3.0L Lower Mount Clamp and Cover

Models Affected

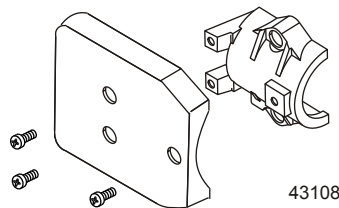
Models Covered	Serial Number
Mercury/Mariner All 3.0L engines	1B775626 and above

Situation

The 3.0L lower mount clamp has been changed to include three fasteners to hold the mount cover secure. The current single screw design is now NLA and is superseded by kit P/N 879150A90.



When servicing the lower mount cover or clamp with the single screw design, please order P/N 879150A90 cover kit. The kit will include the cover, the mount clamp, and three screws to secure the cover to the clamp.



Part Interchangeability

- The new kit will backfit to all 3.0L models.
- The new three screw design components will be available as individual parts.
- Single screw and three screw components will not work together and are unique unto themselves. The three screw and single screw designs cannot be comingled.

THE INFORMATION IN THIS DOCUMENT IS CONFIDENTIAL AND PROTECTED BY COPYRIGHT AND IS THE PROPERTY OF MERCURY MARINE.

This document is provided for the sole and exclusive use of the original recipient as prescribed by Mercury Marine and may not be distributed or copied, digitally or otherwise, without the prior written consent of Mercury Marine.