



Service Bulletin

Bulletin No. 2011-06
OEM No. 2011-04

Circulate to: Sales Manager Accounting Service Manager Technician Parts Manager

New EPA Portable Fuel Tanks and Fuel Lines 2011 and Newer Models Affected

Models Covered
Mercury/Mariner/Force

Scope

North America

Situation

EPA Fuel Tank Requirements for 2011

On January 1, 2011 regulation 40 CFR part 1060 went into effect for the Portable Outboard Marine Tank (OMT) and Components regulation.

OMTs are used to supply fuel to outboard marine engines. Primarily constructed of plastic, the fuel tank is connected to the engine by use of a fuel line. A primer bulb is used to prime the engine and start the flow of fuel. Because the container is constructed of plastic, it is possible for gasoline to seep through the material and permeate into ambient air.

The requirement for outboard marine tanks to be sold with self-sealing caps found in the Portable Outboard Marine Tank and Components regulation becomes effective January 1, 2011, which is one year after the Federal requirements found in 40 CFR §1060.105(c). All self-sealing caps sold after January 1, 2011, are required to be certified. All certified components must include markings that indicate the date of manufacture (month, day, and year).

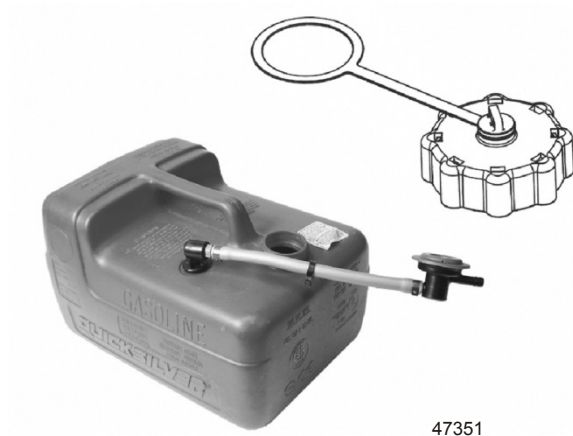
- The regulation (40 CFR part 1060) requires manufacturers to produce tanks and components that comply with the following standards by the indicated date.
 - By January 1, 2011 produce:
 - Primer bulbs that do not exceed a permeation rate of 15 grams/m²/day
 - Tanks that do not exceed an emission rate of 1.5 grams/m²/day and do not have a manual vent
 - All equipment (fuel tanks) must have a tethered fuel cap. Fuel caps must also include an audible or other physical indication that they have been properly sealed.
 - All equipment (fuel tanks) must be self-sealing (without any manual vents) when not attached to an engine. The tanks may not vent to the atmosphere when attached to an engine.
 - Tank caps may vent above 34.4 kPa (5.0 psi).
 - All equipment (fuel tanks) must remain sealed to a minimum of 24.5 kPa (3.5 psi). They may contain air inlets that open when there is vacuum pressure inside of the tank.

THE INFORMATION IN THIS DOCUMENT IS CONFIDENTIAL AND PROTECTED BY COPYRIGHT AND IS THE PROPERTY OF MERCURY MARINE.

This document is provided for the sole and exclusive use of the original recipient as prescribed by Mercury Marine and may not be distributed or copied, digitally or otherwise, without the prior written consent of Mercury Marine.

New Fuel System Part Numbers

New EPA 3 Gallon Tank



47351

No fuel gauge and direct plumbed from the FDV valve (P/N 8M0045692)



47352

Integral fuel gauge and quick disconnect at tank pigtail (P/N 8M0047598)

New assembly part number includes the new EPA diurnal cap, low permeation tank, fuel demand valve (FDV), and new gauge pickup.

To Replace 3 Gallon Tank	Order These New Products
P/N 1260-859060A2	P/N 1200-8M0045692 with direct plumb at tank
P/N 1260-859061A1	P/N 1200-8M0047598 with quick disconnect at tank
P/N 1260-859061A2	

THE INFORMATION IN THIS DOCUMENT IS CONFIDENTIAL AND PROTECTED BY COPYRIGHT AND IS THE PROPERTY OF MERCURY MARINE.

This document is provided for the sole and exclusive use of the original recipient as prescribed by Mercury Marine and may not be distributed or copied, digitally or otherwise, without the prior written consent of Mercury Marine.

New EPA 6 Gallon Saddle Tank



47354

For all Mercury models (P/N 8M0045691)

New assembly part number includes the new EPA diurnal cap, low permeation tank, FDV, and new gauge pickup.

To Replace 6 Gallon Saddle Tank	Order This New Product
P/N 1259-859062A1	P/N 1200-8M0045691 for saddle tank with quick disconnect at tank
P/N 1260-859063A1	
P/N 1260-859063A2	

New EPA 6 Gallon Traditional Tank



47356

For all Mercury models (P/N 8M0054600)

New assembly part number includes the new EPA diurnal cap, low permeation tank, FDV, and new gauge pickup.

To Replace 6 Gallon Traditional Tank	Order This New Product
P/N 1260-859064A1	P/N 1200-8M0054600 for box style with quick disconnect at tank
P/N 1260-859065A1	
P/N 1260-859065A3	

THE INFORMATION IN THIS DOCUMENT IS CONFIDENTIAL AND PROTECTED BY COPYRIGHT AND IS THE PROPERTY OF MERCURY MARINE.

This document is provided for the sole and exclusive use of the original recipient as prescribed by Mercury Marine and may not be distributed or copied, digitally or otherwise, without the prior written consent of Mercury Marine.

Part Interchangeability

The fuel line for the new low permeation system will not directly interchange with the previous noncontrolled systems because the fuel fitting at the fuel tank is now a female connection on the low permeation fuel tank assembly containing the new fuel demand valve. The new low permeation fuel line assembly needs a male connection at the fuel tank end.



47357

Hose P/N 8M0054714 pigtail with fuel demand valve



47355

New 8 foot 8M0053975 QS fuel line, or 8M0053984 MPP fuel line, to plug into 8M0054714 pigtail with FDV

Length	2010 Hoses and ECO Bulb Assembly for Service	Order New 2011 US Hose with Low Permeation FKM Bulb	Comments	Description
8 ft	8M0044848	8M0053972	QS new low permeation bulb, threaded connection on both ends.	Replacement hose for older nonpressurized fuel tanks.
8 ft	8M0044847	8M0053981	MPP new low permeation bulb, threaded connection on both ends.	Replacement hose for older nonpressurized fuel tanks.
8 ft	8M0044830	8M0053973	QS new low permeation bulb, threaded tank end and quick connect on engine end.	Replacement hose for older nonpressurized fuel tanks.
8 ft	8M0044829	8M0053982	MPP new low permeation bulb, threaded tank end and quick connect on engine end.	Replacement hose for older nonpressurized fuel tanks.

THE INFORMATION IN THIS DOCUMENT IS CONFIDENTIAL AND PROTECTED BY COPYRIGHT AND IS THE PROPERTY OF MERCURY MARINE.

This document is provided for the sole and exclusive use of the original recipient as prescribed by Mercury Marine and may not be distributed or copied, digitally or otherwise, without the prior written consent of Mercury Marine.

Length	2010 Hoses and ECO Bulb Assembly for Service	Order New 2011 US Hose with Low Permeation FKM Bulb	Comments	Description
9 ft	New	8M0053974	QS new low permeation bulb with FDV.	Threaded tank end and quick connect engine end.
9 ft	New	8M0053983	MPP new low permeation bulb with FDV.	Threaded tank end and quick connect engine end.
8 ft	New	8M0053975	QS new low permeation bulb and male connection.	Use with 2011 pressurized tank.
8 ft	New	8M0053984	MPP new permeation bulb and male connection.	Use with 2011 pressurized tank.
8 ft	New	8M0054641	New low permeation bulb used in 40-60 HP FourStroke and service in bag.	No connector tank end. Quick connector on engine end.
8 ft	New	8M0054632	New low permeation bulb used in 40-60 HP FourStroke and service in bag.	No connectors on either end.
8 ft	8M0044836	8M0053976	QS new low permeation bulb.	Female tank and engine quick disconnect with primer bulb. Use with older nonpressurized fuel tanks.
8 ft	8M0044835	8M0053985	MPP new low permeation bulb.	Female tank and engine quick disconnect with primer bulb. Use with older nonpressurized fuel tanks.
12 ft	8M0044838	8M0053977	QS new low permeation bulb.	No connection with primer bulb.
12 ft	8M0044837	8M0053986	MPP new low permeation bulb.	No connection with primer bulb.
12 ft	8M0044840	8M0053978	QS new low permeation bulb.	Female tank and engine quick disconnect with primer bulb. Use with older nonpressurized fuel tanks.
12 ft	8M0044839	8M0053987	MPP new low permeation bulb.	Female tank and engine quick disconnect with primer bulb. Use with older nonpressurized fuel tanks.
12 ft	New	8M0053979	QS new assembly with engine quick disconnect end and male end 816856A 3 to fit with 8M0045660 pigtail.	Use with 2011 pressurized tank.
12 ft	New	8M0053988	MPP new assembly with engine quick disconnect end and male end 816856A 3 to fit with 8M0045660 pigtail.	Use with 2011 pressurized tank.
9 ft	New	8M0053980	QS new low permeation bulb.	No connection with primer bulb.
9 ft	New	8M0053989	MPP new low permeation bulb.	No connection with primer bulb.
9 ft	8M0044849	8M0054270	8M0054270 is a 24 pack of 8M0053980 no FDV only permeation bulb change. Master pack 24 pieces.	Sold at 24. No point of sale packaging.

THE INFORMATION IN THIS DOCUMENT IS CONFIDENTIAL AND PROTECTED BY COPYRIGHT AND IS THE PROPERTY OF MERCURY MARINE.

This document is provided for the sole and exclusive use of the original recipient as prescribed by Mercury Marine and may not be distributed or copied, digitally or otherwise, without the prior written consent of Mercury Marine.

US EPA Primer Bulbs			
13330Q07	5/16" bulb	8M0052973	QS new 2011 number for 5/16" (8 mm) low permeation bulb.
13330K07	5/16" bulb	8M0052974	MPP new 2011 number for 5/16" (8 mm) low permeation bulb.
89396Q01	1/4" bulb	8M0052975	QS new 2011 number for 1/4" (6.4 mm) low permeation bulb.
89396K01	1/4" bulb	8M0052976	MPP new 2011 number for 1/4" (6.4 mm) low permeation bulb.
		8M0055357	Extreme cold weather bulb for service with 13330 bulb.

P/N 8M0058419 Fuel Fitting

For a reduction in the fuel restriction up to 0.5 in. Hg, there is a new fitting; P/N 8M0058419. This new fitting will thread into the fuel pickup on the new low permeation Mercury and Quicksilver portable fuel tanks. This new fitting may be needed, when the bottom of the portable fuel tank is lower than 20 inches below the fuel inlet on the engine, or when long fuel lines or bends are necessary in the application.

THE INFORMATION IN THIS DOCUMENT IS CONFIDENTIAL AND PROTECTED BY COPYRIGHT AND IS THE PROPERTY OF MERCURY MARINE.

This document is provided for the sole and exclusive use of the original recipient as prescribed by Mercury Marine and may not be distributed or copied, digitally or otherwise, without the prior written consent of Mercury Marine.