



# Service Bulletin

Bulletin No. 2013-01R1  
OEM No. 2013-01R1

Circulate to:  Sales Manager  Accounting  Service Manager  Technician  Parts Manager

## OptiMax and ProXS Product Changes

<b>NOTICE</b>
Revised February 2013. This bulletin supersedes the previous bulletin number 2013-01 January 2013.

### Models Affected

<b>Models Covered</b>
Mercury/Mariner OptiMax and ProXS

### Scope

Worldwide

### Situation

Emission standards have been updated to include a not to exceed (NTE) zone within the engine control calibration. Engines produced after January 1, 2013 must meet this requirement to be sold in North America. A number of other product enhancements have also taken place.

1.5L OptiMax Product				
	75/90 OptiMax	115 OptiMax	115 ProXS	125 OptiMax
New NTE calibration with Verado style warning system	December 2012 1B973955	December 2012 1B973157	December 2012 1B973556	December 2012 1B973556
Added carbon fiber reeds		December 2012 1B973158		
New decal package			June 2012 1B935458	
New multi strike coil 8M0077471	March 2013	March 2013	March 2013	March 2013

THE INFORMATION IN THIS DOCUMENT IS CONFIDENTIAL AND PROTECTED BY COPYRIGHT AND IS THE PROPERTY OF MERCURY MARINE.

This document is provided for the sole and exclusive use of the original recipient as prescribed by Mercury Marine and may not be distributed or copied, digitally or otherwise, without the prior written consent of Mercury Marine.

OptiMax and ProXS Product Changes

2.5L OptiMax Product			
	150 ProXS	175 ProXS	2.5L Standard OptiMax
New NTE calibration with Verado style warning system	June 2012 1B935458	June 2012 1B935458	NLA December 2012
New decal package	June 2012 1B935458	June 2012 1B935458	NLA December 2012
Removed speed sensor	June 2012 1B935458	June 2012 1B935458	NLA December 2012
New trim system with new tilt cylinder assembly. This will supersede for all 3-ram trim systems.	December 2012 1B974515	December 2012 1B974515	NLA December 2012
New multi strike coil 8M0077471		March 2013	NLA December 2012
New standard coil 8M0077473	March 2013		

3.0L OptiMax Product						
	200 OptiMax	200 ProXS	225 OptiMax North America -NLA December 2012	225 ProXS	250 OptiMax	250 ProXS
New NTE calibration with Verado style warning system	Gen III January 2012 B912786	Gen III January 2012 B912786		Gen IV December 2012 1B973744	Gen IV December 2012 1B973744	Gen IV December 2012 1B973744
Added carbon fiber reeds	Gen III January 2012 B912786	Gen III January 2012 B912786				
New decal package		Gen IV June 2012 1B935179		Gen III June 2012 1B935179		Gen III June 2012 1B935179
Removed speed sensor		Gen IV June 2012 1B935179		Gen III June 2012 1B935179		Gen III June 2012 1B935179
New throttle cam blue				Gen IV December 2012 1B973744	Gen IV December 2012 1B973744	Gen IV December 2012 1B973744
New exhaust bucket				Gen IV December 2012 1B973744	Gen IV December 2012 1B973744	Gen IV December 2012 1B973744
New trim system with new tilt cylinder assembly. This will supersede for all 3-ram trim systems.	Gen IV December 2012 1B973744	Gen IV December 2012 1B973744	December 2012 1B973744	Gen IV December 2012 1B973744	Gen IV December 2012 1B973744	Gen IV December 2012 1B973744
New multi strike coil 8M0077471				Gen IV January 2013 1B974634	Gen IV January 2013 1B974634	Gen IV January 2013 1B974634
New standard coil 8M0077473	March 2013	March 2013	March 2013			

THE INFORMATION IN THIS DOCUMENT IS CONFIDENTIAL AND PROTECTED BY COPYRIGHT AND IS THE PROPERTY OF MERCURY MARINE.

This document is provided for the sole and exclusive use of the original recipient as prescribed by Mercury Marine and may not be distributed or copied, digitally or otherwise, without the prior written consent of Mercury Marine.

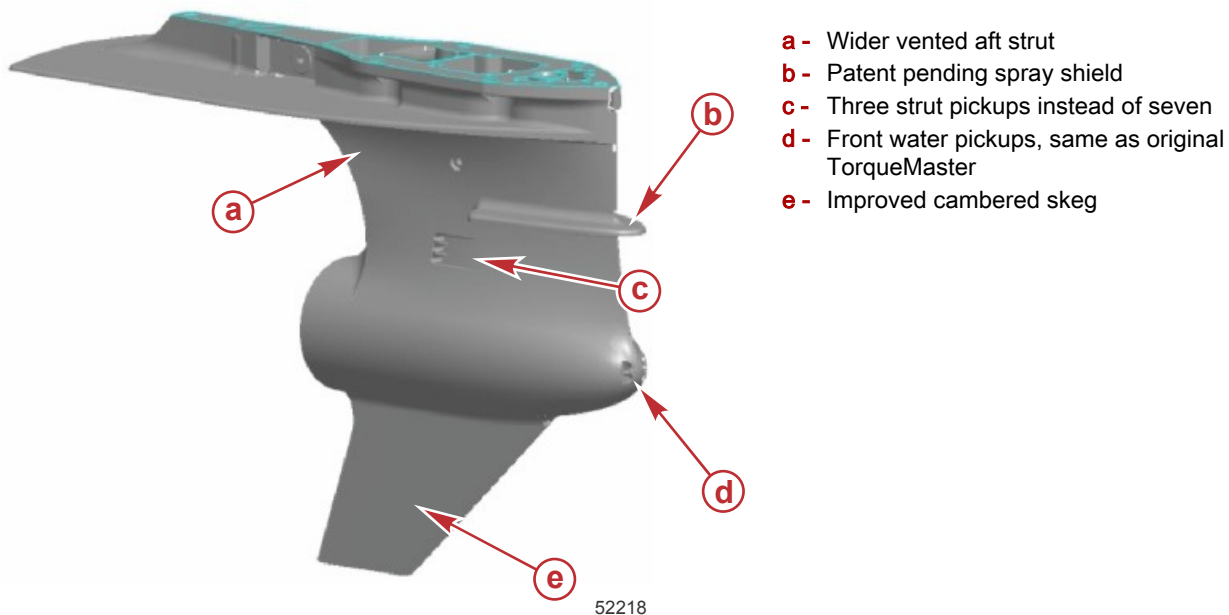
## Gen I TorqueMaster Gearcase

All TorqueMaster gearcases are now painted silver as of June, 2012. (superseded the black gearcase for parts and accessories).

- Starting serial number 1B935219

## Gen II TorqueMaster Gearcase

- Production start, December, 2012.
- Starting serial number 1B973744
- Updated performance and durability
- Internal gears and bearings are from the Verado design gearcase to improve durability.
- 1.25 inch propeller shaft to meet surfacing prop requirements
- New housing to allow surfacing prop applications and aft venting of the prop for greater top speed.
- Changes to prop vent holes, mounting height and set back may be required to obtain the benefits of the new Gen II gearcase.



- a** - Wider vented aft strut
- b** - Patent pending spray shield
- c** - Three strut pickups instead of seven
- d** - Front water pickups, same as original TorqueMaster
- e** - Improved cambered skeg

**NOTE:** All Gen II TorqueMaster gearcases must have the increased durability tilt cylinder with a blue cap installed. If a Gen II TorqueMaster gearcase is installed on an engine without the blue cap tilt cylinder (previously discussed), the engine is at risk of a failure if the gearcase strikes a submerged object. Do not replace a Gen I gearcase with a Gen II gearcase. All 3.0L ProXS engines with a serial number 1B974515 and above are built with a blue cap tilt cylinder. Engines with serial number range 1B973744 through 1B974514 may or may not have the blue cap tilt cylinder. Verify the tilt cylinder for the application.

THE INFORMATION IN THIS DOCUMENT IS CONFIDENTIAL AND PROTECTED BY COPYRIGHT AND IS THE PROPERTY OF MERCURY MARINE.

This document is provided for the sole and exclusive use of the original recipient as prescribed by Mercury Marine and may not be distributed or copied, digitally or otherwise, without the prior written consent of Mercury Marine.