

Circulate to: Sales Manager Accounting Service Manager Technician Parts Manager

Important New Model Information—75/90/115 FourStroke (2.1L) SeaPro

Models Affected

Models Covered	Serial Number Or Year
75/90/115 FourStroke (2.1L) SeaPro	2B160343 and Above

Scope

Worldwide

Situation

The purpose of this bulletin is to highlight key product features for the 75/90/115 FourStroke (2.1L) SeaPro models and how they differ from the standard production models. Refer to Outboard Service Bulletin 2014-01, Important New Model Information—75/80/90/100/115 FourStroke (2.1L) for additional information common to these models.

- Specifications
- Owner's manual supplement packaged with SeaPro models
- SeaPro top cowl decals
- Commercial maintenance schedule decal
- Command Thrust (CT) gearcase
- Gear lube drain and fill at the front of the torpedo
- Big Tiller kit on 75/90/115 FourStroke (2.1L) SeaPro (included on select models)
- Water-separating fuel filter, without water-in-fuel sensor - shipped standard with engine
- SC1000 tachometer gauge - shipped standard with engine
- Fish line cutter seal (rear propeller shaft seal)
- Heavy-duty upper mounts
- Throttle body restrictor and bell mouth - 75 FourStroke SeaPro models
- Propeller information chart

Specifications

Models	75 SeaPro	90 SeaPro	115 SeaPro
Full throttle RPM range	5000–5500		
Gear ratio	2.38:1		
Recommended engine oil	Mercury or Quicksilver NMMA FC-W certified SAE 25W-40* for all temperatures, 10W-30 for temperatures 0° C (32° F) and below		
Gearcase lubricant capacity	Right-hand and left-hand rotation: 760 mL (25.7 fl oz)		

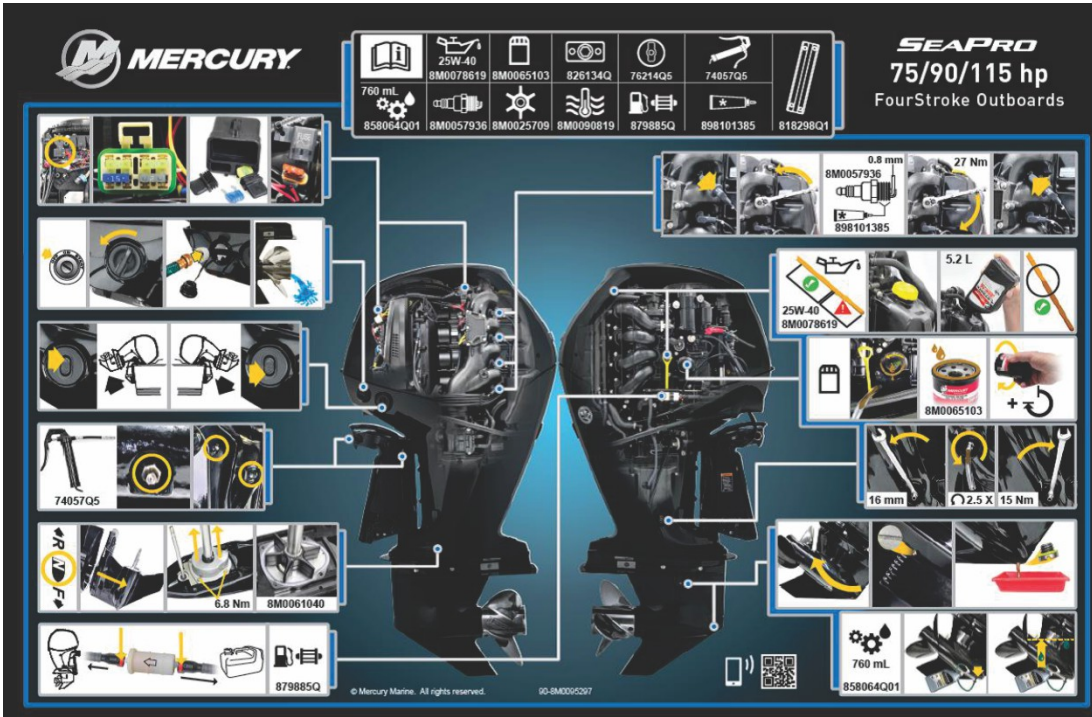
THE INFORMATION IN THIS DOCUMENT IS CONFIDENTIAL AND PROTECTED BY COPYRIGHT AND IS THE PROPERTY OF MERCURY MARINE.

This document is provided for the sole and exclusive use of the original recipient as prescribed by Mercury Marine and may not be distributed or copied, digitally or otherwise, without the prior written consent of Mercury Marine.

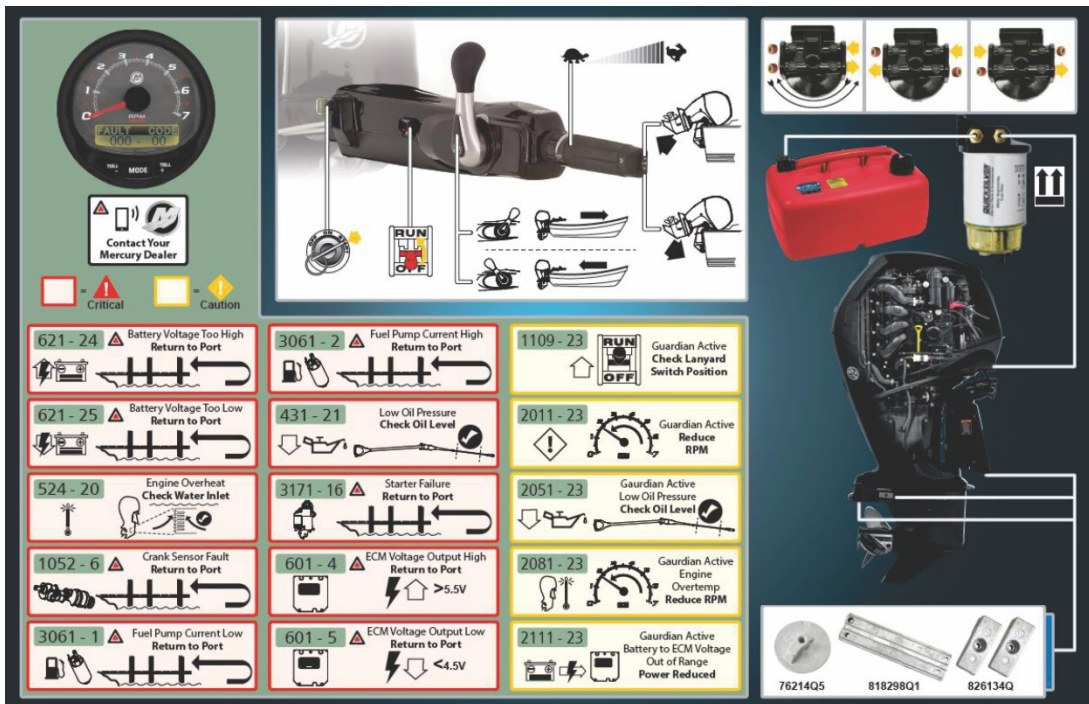
NOTE: An asterisk () indicates that both mineral oils and synthetic blend oils are recommended.*

Owner's Manual Supplement Packaged with SeaPro Models

An owner's manual supplemental graphic maintenance guide is included with SeaPro models. The following images are from owner's manual 90-8M0095297.



57730



57731

THE INFORMATION IN THIS DOCUMENT IS CONFIDENTIAL AND PROTECTED BY COPYRIGHT AND IS THE PROPERTY OF MERCURY MARINE.

This document is provided for the sole and exclusive use of the original recipient as prescribed by Mercury Marine and may not be distributed or copied, digitally or otherwise, without the prior written consent of Mercury Marine.

SeaPro Top Cowl Decals



57732

115 SeaPro top cowl decal

Commercial Maintenance Schedule Decal

A commercial maintenance schedule decal is applied to SeaPro models. Compared to standard models, the differences are:

- Narrowed and lowered full throttle RPM operating window for 75/90/115 FourStroke SeaPro - 5000–5500 RPM.
- Recommended SAE 25W-40 oil for all temperatures, with 10W-30 for 0° C (32° F) and below.

THE INFORMATION IN THIS DOCUMENT IS CONFIDENTIAL AND PROTECTED BY COPYRIGHT AND IS THE PROPERTY OF MERCURY MARINE.

This document is provided for the sole and exclusive use of the original recipient as prescribed by Mercury Marine and may not be distributed or copied, digitally or otherwise, without the prior written consent of Mercury Marine.

- Added valve lash inspection every 1000 hours.

COMMERCIAL MAINTENANCE SCHEDULE

EVERY 100 HOURS	SEAPRO	EVERY 300 HOURS
REPLACE		REPLACE
<ul style="list-style-type: none"> Engine Oil and Filter Gearcase Lubricant 		<ul style="list-style-type: none"> Spark Plugs* Water Pump Impeller Low Pressure Fuel Filter
INSPECT		
<ul style="list-style-type: none"> Spark Plugs* Thermostat Low Pressure Fuel Filter Anodes 		<p>For Storage Preparation See Owner's Manual</p>

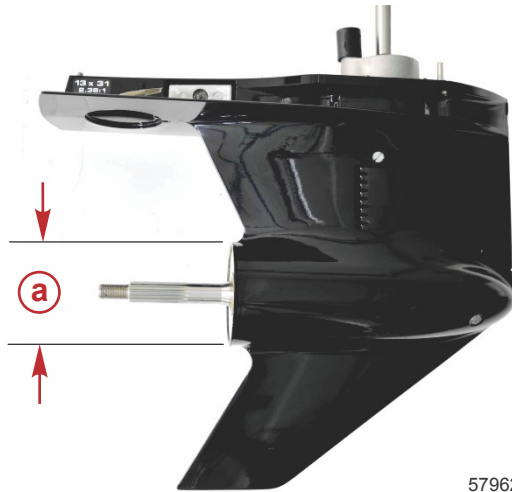
Specifications

<p>Full Throttle RPM: 5000-5500</p> <p>Neutral Idle RPM: 700</p> <p>Valve Lash: Inspect Every 1000 hrs</p>	<p>* In Saltwater: Apply Anti-Seize</p> <p>27 Nm (20 lb-ft)</p> <p>8M0057936</p> <p>0.8 mm (0.032 in.)</p>	<p>Engine Oil</p> <p>5.2 L (5.5 U.S. qt.)</p>
---	---	--

57733

Command Thrust (CT) Gearcase

All 75/90/115 SeaPro FourStroke outboards utilize the Command Thrust (CT) gearcase.



57962

Command Thrust (CT) gearcase—2.38:1 gear ratio
a - 4.9 in. torpedo diameter

THE INFORMATION IN THIS DOCUMENT IS CONFIDENTIAL AND PROTECTED BY COPYRIGHT AND IS THE PROPERTY OF MERCURY MARINE.

This document is provided for the sole and exclusive use of the original recipient as prescribed by Mercury Marine and may not be distributed or copied, digitally or otherwise, without the prior written consent of Mercury Marine.

Gear Lube Drain and Fill at the Front of the Torpedo

All SeaPro FourStroke Outboards include a gearcase lubricant drain located at the front of the torpedo to simplify maintenance.

- Gearcase lubricant changes can now be completed while the outboard is tilted up.
- No need to remove the propeller for gear lubricant maintenance.

NOTE: It is still recommended to remove the propeller periodically to inspect and grease the propeller shaft, and to check for fishing line wrapped around the propeller shaft.

NOTE: The front drain/fill screw has a magnet to collect debris and it must be cleaned and reinstalled in this location only.



57670

Big Tiller Kit on 75/90/115 FourStroke (2.1L) SeaPro (Included on Select Models)

Description	Part Number
Big Tiller—mechanical without power steering	8M0093581
Throttle and shift cable kit—without power steering	8M0090686



56103

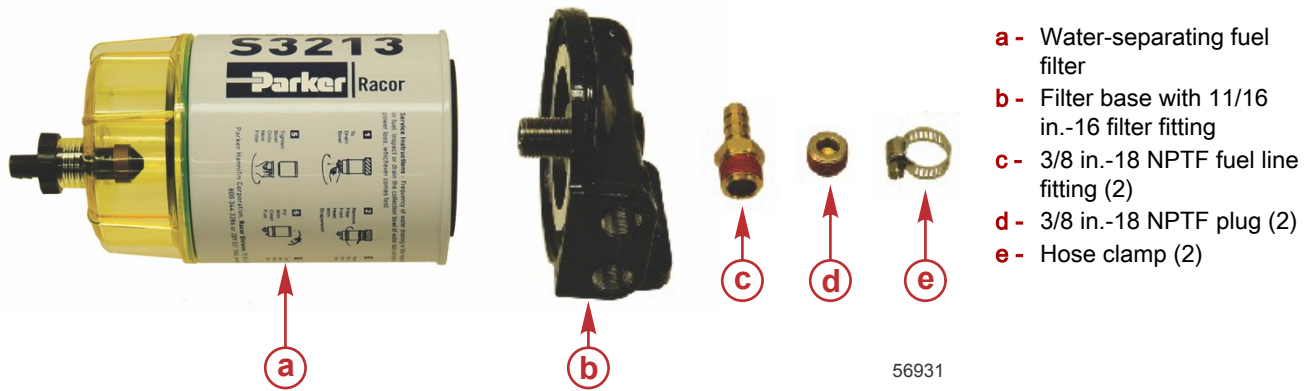
THE INFORMATION IN THIS DOCUMENT IS CONFIDENTIAL AND PROTECTED BY COPYRIGHT AND IS THE PROPERTY OF MERCURY MARINE.

This document is provided for the sole and exclusive use of the original recipient as prescribed by Mercury Marine and may not be distributed or copied, digitally or otherwise, without the prior written consent of Mercury Marine.

Water-Separating Fuel Filter, Without Water-in-Fuel (WIF) Sensor—Shipped Standard with Engine

Description	Part Number
Remote water-separating fuel filter kit	8M0097838
Replacement filter can without plastic sight bowl (filter spin-on fitting is 11/16 in.)	35-809097
Replacement filter can with plastic sight bowl (filter spin-on fitting is 11/16 in.)	35-809096

This is a similar kit as used on the standard models, but without the water-in-fuel (WIF) sensor and wiring. The kit contains a serviceable water-separating fuel filter assembly, filter mounting manifold, fuel line fittings, and hose clamps to install the kit into the boat's 10 mm (3/8 in.) inside diameter (ID) fuel line system.



SC1000 Tachometer Gauge—Shipped Standard with Engine

SeaPro outboards are shipped standard with an SC1000 tachometer gauge. Big Tiller models are additionally equipped with a remote mounting bracket for the gauge. This gauge is programmed to show Universal Fault Codes as outlined in the owner's manual supplement.



THE INFORMATION IN THIS DOCUMENT IS CONFIDENTIAL AND PROTECTED BY COPYRIGHT AND IS THE PROPERTY OF MERCURY MARINE.

This document is provided for the sole and exclusive use of the original recipient as prescribed by Mercury Marine and may not be distributed or copied, digitally or otherwise, without the prior written consent of Mercury Marine.

Fish Line Cutter Seal

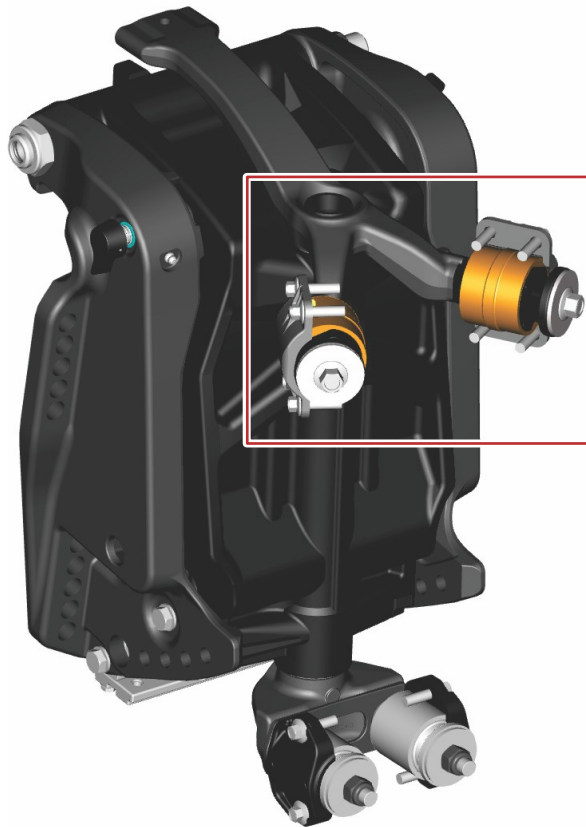
The rear propeller shaft seal utilizes a fish line cutter feature. This is a common part number (26-12224) that shares application with some earlier MerCruiser propeller shaft seals.



57684

Heavy-Duty Upper Mounts

Heavy-duty upper mounts are standard on SeaPro models.



57685

THE INFORMATION IN THIS DOCUMENT IS CONFIDENTIAL AND PROTECTED BY COPYRIGHT AND IS THE PROPERTY OF MERCURY MARINE.

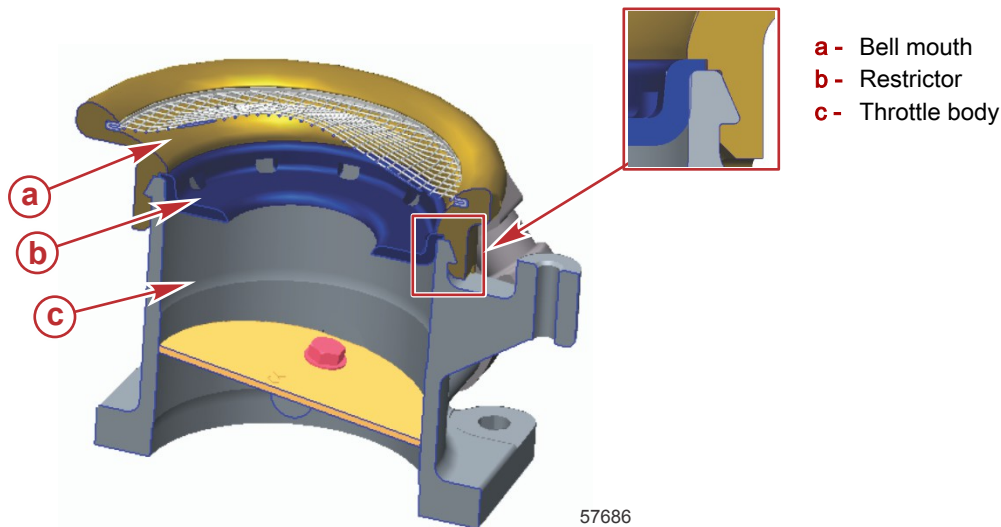
This document is provided for the sole and exclusive use of the original recipient as prescribed by Mercury Marine and may not be distributed or copied, digitally or otherwise, without the prior written consent of Mercury Marine.

Throttle Body Restrictor and Bell Mouth—75 FourStroke SeaPro Models

IMPORTANT: Engine running issues will occur if the restrictor is removed.

The 75 FourStroke SeaPro uses the same throttle body restrictor as the standard 75 FourStroke model.

- 75 SeaPro throttle body restrictor, current part number 8M0090812.



Propeller Information Chart

75 FourStroke (2.1L) SeaPro Propeller Information Chart

- Full throttle RPM: 5000–5500
- Recommended transom heights: 50.8 cm (20 in.)
- Right-hand rotation
- Gear reduction: 2.38:1

Diameter	Pitch	No. of Blades	Approx. Gross Boat Weight (lbs)	Speed Range (MPH)	Propeller P/N	Propeller Name
13.62"	21	3	1600–2000	32–40	48-899002A46	Energia
14.00"	21	4	1600–2000	32–40	48-825902A48	VenSura
13.75"	21	3	1600–2000	32–40	48-16318A46	Vengeance
14.00"	21	4	1600–2000	32–40	8M0084496	Spitfire
14.25"	21	3	1600–2000	32–40	48-832832A45	Black Max
13.75"	20	3	1700–2300	29–38	48-899000A46	Energia
14.00"	19	3	1800–2400	27–36	48-898998A46	Energia
13.25"	19	5	1800–2400	27–36	48-815758A46	HighFive
14.00"	19	4	1800–2400	27–36	48-825900A48	VenSura
14.00"	19	3	1800–2400	27–36	48-16316A46	Vengeance
14.00"	19	4	1800–2400	27–36	8M0084495	Spitfire
14.50"	19	3	1800–2400	27–36	48-832830A45	Black Max
14.25"	18	3	1900–2800	24–33	48-898996A46	Energia
15.38"	18	3	1900–2800	24–33	48-889620A46	Mirage Plus
15.50"	17	3	2100–3200	21–31	48-18278A46	Mirage Plus
14.50"	17	3	2100–3200	21–31	48-898994A46	Energia

THE INFORMATION IN THIS DOCUMENT IS CONFIDENTIAL AND PROTECTED BY COPYRIGHT AND IS THE PROPERTY OF MERCURY MARINE.

This document is provided for the sole and exclusive use of the original recipient as prescribed by Mercury Marine and may not be distributed or copied, digitally or otherwise, without the prior written consent of Mercury Marine.

Diameter	Pitch	No. of Blades	Approx. Gross Boat Weight (lbs)	Speed Range (MPH)	Propeller P/N	Propeller Name
13.50"	17	5	2100–3200	21–31	48-821154A46	HighFive
14.25"	17	4	2100–3200	21–31	48-825898A48	VenSura
14.50"	17	3	2100–3200	21–31	48-16314A46	Vengeance
14.00"	17	4	2100–3200	21–31	8M0084494	Spitfire
15.00"	17	3	2100–3200	21–31	48-832828A45	Black Max
14.75"	16	3	2300–3600	19–28	48-898992A46	Enertia
16.00"	16	3	2300–3600	19–28	48-16440A45	Black Max
15.00"	15	3	2500–4400	16–26	48-898990A46	Enertia
15.75"	15	3	2500–4400	16–26	48-19838A46	Mirage Plus
15.25"	15	3	2500–4400	16–26	48-78116A45	Black Max
15.30"	14	3	2900–5100	14–23	48-898988A46	Enertia
16.00"	14	3	2900–5100	14–23	48-16438A45	Black Max
15.60"	13	3	3400–6700	11–20	8M0070074	Enertia
16.00"	13	3	3400–6700	11–20	48-826072A46	Mirage Plus
16.00"	13	3	3400–6700	11–20	48-78114A45	Black Max
16.00"	12	3	4000+	9–18	48-16436A45	Black Max
16.00"	11	3	5000+	1–15	8M0070079	Enertia
16.00"	11	3	5000+	1–15	48-78112A45	Black Max

90 FourStroke (2.1L) SeaPro Propeller Information Chart

- Full throttle RPM: 5000–5500
- Recommended transom heights: 50.8 cm (20 in.), 63.5 cm (25 in.)
- Right-hand rotation (left-hand rotation available)
- Gear reduction: 2.38:1

Diameter	Pitch	No. of Blades	Approx. Gross Boat Weight (lbs)	Speed Range (MPH)	Propeller P/N	Propeller Name	LH Propeller P/N
14.00"	23	4	1600–2100	37–45	48-825906A48	VenSura	48-825907A48
13.50"	23	3	1600–2100	37–45	48-16320A46	Vengeance	48-16321A46
14.00"	23	4	1600–2100	37–45	8M0084497	Spitfire	–
14.00"	23	3	1600–2100	37–45	48-832834A45	Black Max	–
13.50"	22	3	1700–2200	35–43	48-899202A46	Enertia	–
13.62"	21	3	1900–2400	32–40	48-899002A46	Enertia	48-899003A46
14.62"	21	3	1900–2400	32–40	48-825862A47	Tempest Plus	–
14.75"	21	3	1900–2400	32–40	48-13702A46	Mirage Plus	48-13703A46
13.25"	21	5	1900–2400	32–40	48-815760A46	HighFive	–
14.00"	21	4	1900–2400	32–40	48-825902A48	VenSura	48-825903A48
13.75"	21	3	1900–2400	32–40	48-16318A46	Vengeance	48-16319A46
14.00"	21	4	1900–2400	32–40	8M0084496	Spitfire	–
14.25"	21	3	1900–2400	32–40	48-832832A45	Black Max	–
13.75"	20	3	2000–2700	29–38	48-899000A46	Enertia	–

THE INFORMATION IN THIS DOCUMENT IS CONFIDENTIAL AND PROTECTED BY COPYRIGHT AND IS THE PROPERTY OF MERCURY MARINE.

This document is provided for the sole and exclusive use of the original recipient as prescribed by Mercury Marine and may not be distributed or copied, digitally or otherwise, without the prior written consent of Mercury Marine.

Diameter	Pitch	No. of Blades	Approx. Gross Boat Weight (lbs)	Speed Range (MPH)	Propeller P/N	Propeller Name	LH Propeller P/N
14.62"	19	3	2100–2900	27–36	48-825860A47	Tempest Plus	–
14.00"	19	3	2100–2900	27–36	48-898998A46	Enertia	48-898999A46
15.25"	19	3	2100–2900	27–36	48-13700A46	Mirage Plus	48-13701A46
13.25"	19	5	2100–2900	27–36	48-815758A46	HighFive	–
14.00"	19	4	2100–2900	27–36	48-825900A48	VenSura	48-825901A48
14.00"	19	3	2100–2900	27–36	48-16316A46	Vengeance	48-16317A46
14.00"	19	4	2100–2900	27–36	8M0084495	Spitfire	–
14.50"	19	3	2100–2900	27–36	48-832830A45	Black Max	–
14.25"	18	3	2300–3300	24–33	48-898996A46	Enertia	–
15.38"	18	3	2300–3300	24–33	48-889620A46	Mirage Plus	48-889619A46
15.50"	17	3	2500–3900	21–31	48-18278A46	Mirage Plus	48-90159A46
14.50"	17	3	2500–3900	21–31	48-898994A46	Enertia	48-898995A46
13.50"	17	5	2500–3900	21–31	48-821154A46	HighFive	–
14.25"	17	4	2500–3900	21–31	48-825898A48	VenSura	48-825899A48
14.50"	17	3	2500–3900	21–31	48-16314A46	Vengeance	48-16315A46
14.00"	17	4	2500–3900	21–31	8M0084494	Spitfire	–
15.00"	17	3	2500–3900	21–31	48-832828A45	Black Max	–
14.75"	16	3	2800–4400	19–28	48-898992A46	Enertia	–
16.00"	16	3	2800–4400	19–28	48-16440A45	Black Max	–
15.00"	15	3	3100–5300	16–26	48-898990A46	Enertia	48-898991A46
15.75"	15	3	3100–5300	16–26	48-19838A46	Mirage Plus	48-19841A46
14.62"	15	4	3100–5300	16–26	48-857022A46	Revolution 4	–
15.25"	15	3	3100–5300	16–26	48-78116A45	Black Max	–
15.30"	14	3	3500–6100	14–23	48-898988A46	Enertia	8M0079504
16.00"	14	3	3500–6100	14–23	48-16438A45	Black Max	–
15.60"	13	3	4100–8100	11–20	8M0070074	Enertia	8M0070076
16.00"	13	3	4100–8100	11–20	48-826072A46	Mirage Plus	–
16.00"	13	3	4100–8100	11–20	48-78114A45	Black Max	–
16.00"	12	3	5000+	9–18	48-16436A45	Black Max	–
16.00"	11	3	6000+	1–15	8M0070079	Enertia	8M0070077
16.00"	11	3	6000+	1–15	48-78112A45	Black Max	48-78117A40

115 FourStroke (2.1L) SeaPro Propeller Information Chart

- Full throttle RPM: 5000–5500
- Recommended transom heights: 50.8 cm (20 in.), 63.5 cm (25 in.)
- Right-hand rotation (left-hand rotation available)
- Gear reduction: 2.38:1

THE INFORMATION IN THIS DOCUMENT IS CONFIDENTIAL AND PROTECTED BY COPYRIGHT AND IS THE PROPERTY OF MERCURY MARINE.

This document is provided for the sole and exclusive use of the original recipient as prescribed by Mercury Marine and may not be distributed or copied, digitally or otherwise, without the prior written consent of Mercury Marine.

Diameter	Pitch	No. of Blades	Approx. Gross Boat Weight (lbs)	Speed Range (MPH)	Propeller P/N	Propeller Name	LH Propeller P/N
14.00"	23	4	2000–2500	37–45	48-825906A48	VenSura	48-825907A48
13.50"	23	3	2000–2500	37–45	48-16320A46	Vengeance	48-16321A46
14.00"	23	4	2000–2500	37–45	8M0084497	Spitfire	–
14.00"	23	3	2000–2500	37–45	48-832834A45	Black Max	–
13.50"	22	3	2100–2600	35–43	48-899202A46	Energia	–
13.62"	21	3	2300–2900	32–40	48-899002A46	Energia	48-899003A46
14.62"	21	3	2300–2900	32–40	48-825862A47	Tempest Plus	–
14.75"	21	3	2300–2900	32–40	48-13702A46	Mirage Plus	48-13703A46
13.25"	21	5	2300–2900	32–40	48-815760A46	HighFive	–
14.00"	21	4	2300–2900	32–40	48-825902A48	VenSura	48-825903A48
13.75"	21	3	2300–2900	32–40	48-16318A46	Vengeance	48-16319A46
14.00"	21	4	2300–2900	32–40	8M0084496	Spitfire	–
14.25"	21	3	2300–2900	32–40	48-832832A45	Black Max	–
13.75"	20	3	2400–3200	29–38	48-899000A46	Energia	–
14.62"	19	3	2500–3500	27–36	48-825860A47	Tempest Plus	–
14.00"	19	3	2500–3500	27–36	48-898998A46	Energia	48-898999A46
15.25"	19	3	2500–3500	27–36	48-13700A46	Mirage Plus	48-13701A46
13.25"	19	5	2500–3500	27–36	48-815758A46	HighFive	–
14.00"	19	4	2500–3500	27–36	48-825900A48	VenSura	48-825901A48
14.00"	19	3	2500–3500	27–36	48-16316A46	Vengeance	48-16317A46
14.00"	19	4	2500–3500	27–36	8M0084495	Spitfire	–
14.50"	19	3	2500–3500	27–36	48-832830A45	Black Max	–
14.25"	18	3	2800–4000	24–33	48-898996A46	Energia	–
15.38"	18	3	2800–4000	24–33	48-889620A46	Mirage Plus	48-889619A46
15.50"	17	3	3000–4700	21–31	48-18278A46	Mirage Plus	48-90159A46
14.50"	17	3	3000–4700	21–31	48-898994A46	Energia	48-898995A46
13.50"	17	5	3000–4700	21–31	48-821154A46	HighFive	–
14.25"	17	4	3000–4700	21–31	48-825898A48	VenSura	48-825899A48
14.50"	17	3	3000–4700	21–31	48-16314A46	Vengeance	48-16315A46
14.00"	17	4	3000–4700	21–31	8M0084494	Spitfire	–
15.00"	17	3	3000–4700	21–31	48-832828A45	Black Max	–
14.75"	16	3	3400–5200	19–28	48-898992A46	Energia	–
16.00"	16	3	3400–5200	19–28	48-16440A45	Black Max	–
15.00"	15	3	3700–6300	16–26	48-898990A46	Energia	48-898991A46
15.75"	15	3	3700–6300	16–26	48-19838A46	Mirage Plus	48-19841A46
14.62"	15	4	3700–6300	16–26	48-857022A46	Revolution 4	–
15.25"	15	3	3700–6300	16–26	48-78116A45	Black Max	–
15.30"	14	3	4200–7400	14–23	48-898988A46	Energia	8M0079504
16.00"	14	3	4200–7400	14–23	48-16438A45	Black Max	–

THE INFORMATION IN THIS DOCUMENT IS CONFIDENTIAL AND PROTECTED BY COPYRIGHT AND IS THE PROPERTY OF MERCURY MARINE.

This document is provided for the sole and exclusive use of the original recipient as prescribed by Mercury Marine and may not be distributed or copied, digitally or otherwise, without the prior written consent of Mercury Marine.

Important New Model Information—75/90/115 FourStroke (2.1L) SeaPro

Diameter	Pitch	No. of Blades	Approx. Gross Boat Weight (lbs)	Speed Range (MPH)	Propeller P/N	Propeller Name	LH Propeller P/N
15.60"	13	3	4900–9700	11–20	8M0070074	Enerzia	8M0070076
16.00"	13	3	4900–9700	11–20	48-826072A46	Mirage Plus	–
16.00"	13	3	4900–9700	11–20	48-78114A45	Black Max	–
16.00"	12	3	6000+	9–18	48-16436A45	Black Max	–
16.00"	11	3	8000+	1–15	8M0070079	Enerzia	8M0070077
16.00"	11	3	8000+	1–15	48-78112A45	Black Max	48-78117A40

THE INFORMATION IN THIS DOCUMENT IS CONFIDENTIAL AND PROTECTED BY COPYRIGHT AND IS THE PROPERTY OF MERCURY MARINE.

This document is provided for the sole and exclusive use of the original recipient as prescribed by Mercury Marine and may not be distributed or copied, digitally or otherwise, without the prior written consent of Mercury Marine.