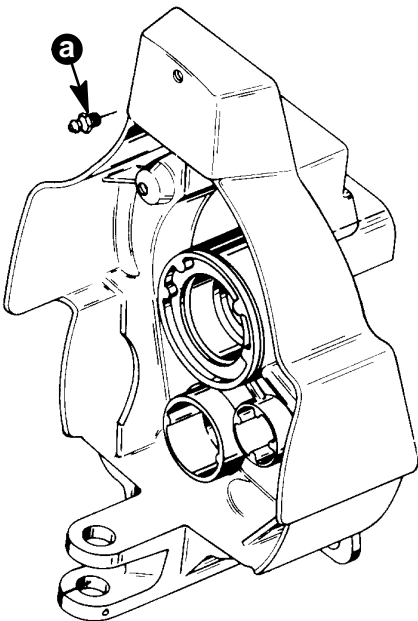


TO: SERVICE MANAGER  TECHNICIANS   
PARTS MANAGER

No. 90-5

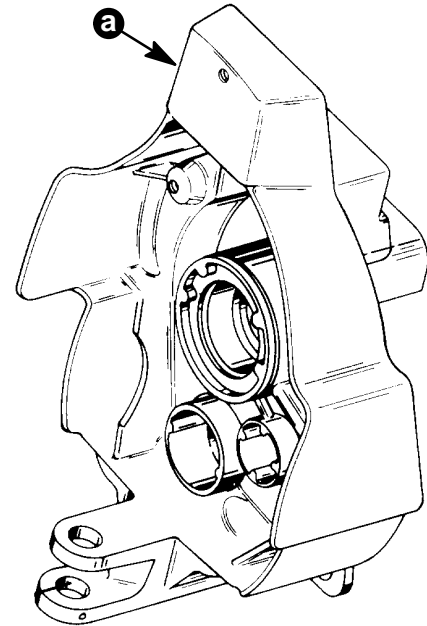
## Removal of Upper Swivel Pin Grease Fitting on Alpha and Bravo Transom Assemblies

The grease fitting (a) (Figure 1) for the upper swivel pin has been removed from the gimbal housing on the Alpha and Bravo transom assemblies. The grease fitting is no longer required with the new self lubricating bearing.



**Figure 1. Bravo Gimbal Housing**

The Bravo gimbal housing will have centering dimple in the housing for the Access Plug Kit drilling template located in Figure 2.

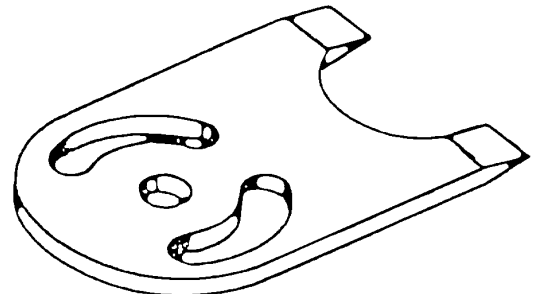


a - Template Locating Dimple

**Figure 2. Bravo Gimbal Housing**

## Bravo Drive Unit Shift Yoke Change

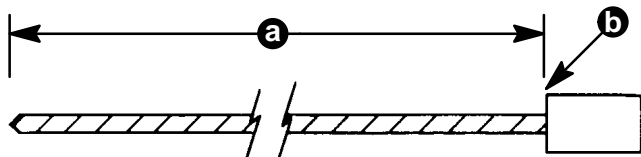
The Bravo shift yoke (Figure 3) will be changed from bronze to steel as a running change in later 1990 drive units. The steel yoke will also supersede the bronze yoke in service stock.



**Figure 3. Bravo Shift Fork**

## Alpha One Transom Assembly Intermediate Shift Cable

The Alpha One shift cable core wire will be pre-cut to proper length. DO NOT cut this core wire as explained in the Stern Drive Service Manual. If the new core wire is accidentally mixed up with older style core wires, measure it as shown in Figure 4. The newer style core wire measures 72-1/8 in. (1832mm). The older style core wire measures 72-3/4 in. (1848mm). Be sure to take measurement from the front edge of the anchor.



50485

a - New Pre-Cut Core Wire Dimension 72-1/8 in. (1832mm)

b - Front Edge of Anchor

**Figure 4.**