

TO: SERVICE MANAGER TECHNICIANS
PARTS MANAGER

No. 90-6

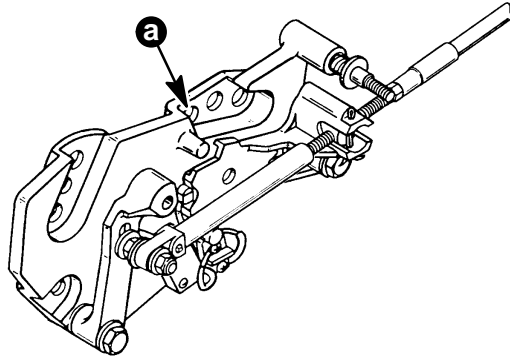
Shift Plate Inspection

Models

All MCM V6/V8 Alpha One or Bravo One or Bravo Two Engines
Serial Number 0C858947 - 0C877307

Inspect

When servicing these engines, check to see if shift plate is tight against exhaust elbow in area of bolt (a) shown in Figure 1.

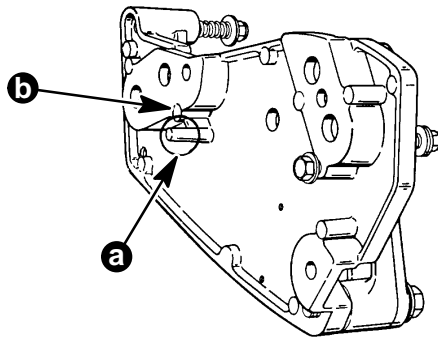


22266

Figure 1.

Correction

If plate is not tight against elbow, remove plate. File enough material off of locating pin (a) until it is flush with plates mounting surface (b). See Figure 2. Repaint bare metal. Install plate back on elbow. Torque bolts to 100 lb. in. (11 N·m).



50985

Figure 2.

Warranty

Fill out warranty claim and send to your normal warranty processing center.

Labor code: Service Bulletin 90-6

Labor: 1.0 hr.