

## Alpha One Generation II Upper Gears

### Models

ALPHA ONE GENERATION II DRIVES

### Identification

When the Alpha One Generation II was first produced, the driven gear, shown in (Figure 1) following, had the longer shank at the base of the gear like the original Alpha One. The replacement Gear Kit for both Alpha One and Alpha One Generation II contains this style of gear.

The gear illustrated in (Figure 2) is a production gear for the current Alpha One Generation II drive shaft housing and is not sold separately, if you have saved one from a previous gear change it will only work in the Alpha One Generation II housing, and not in the original Alpha One.

Either gear (Figure 1 or Figure 2), will fit into the Alpha One Generation II upper drive shaft housing.

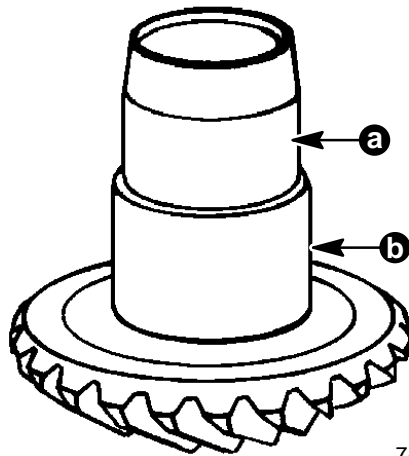


Figure 1

**Service Replacement gear for Alpha One and Alpha One Generation II**

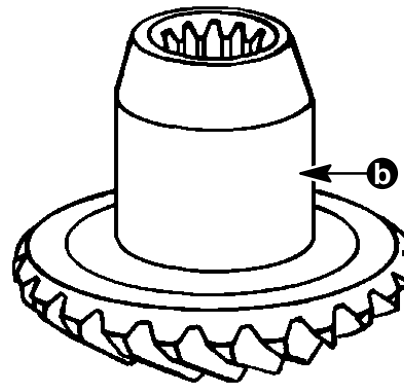


Figure 2

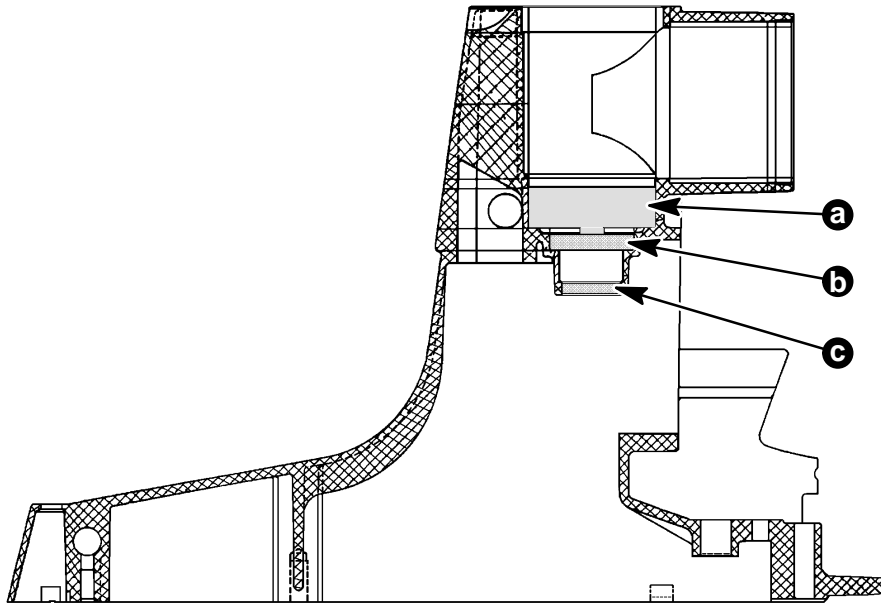
**Production style gear used in Alpha One Generation II Only**

a - Oil Seal Surface

b - Bearing Surface

**NOTE:** See back side of page.

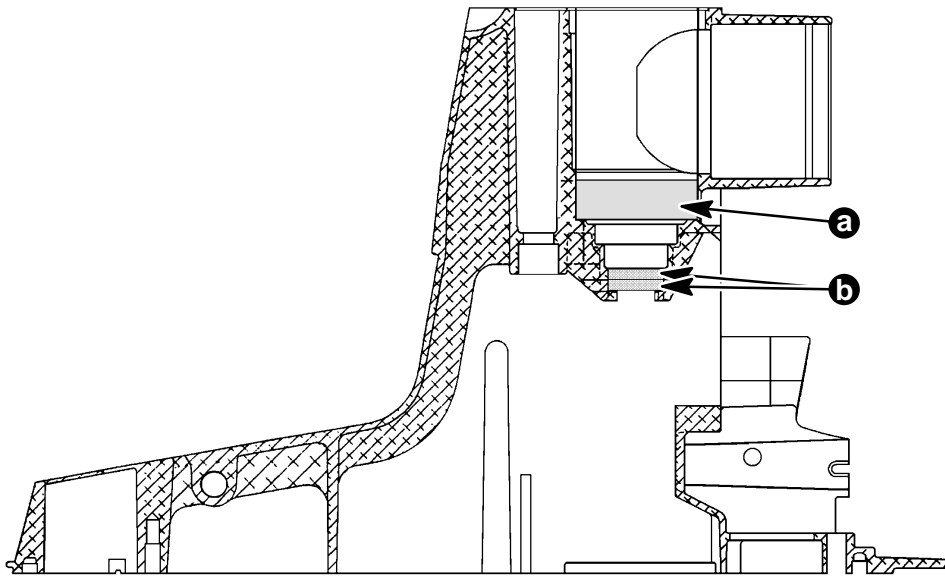
Gear Figure	For Use In	Drive Shaft Housing Figure
1	➔	3 and 4
2	➔	4 Only



75588

**Figure 3 Alpha One Drive shaft Housing Oil seal Location**

- a - Bearing Cup
- b - Oil Seal
- c - Grease Seal



75589

**Figure 4 Alpha One Generation II Drive shaft Housing Oil seal Location**

- a - Bearing Cup
- b - Oil Seal