

TO: SERVICE MANAGER TECHNICIANS
PARTS MANAGER

No. 87-8

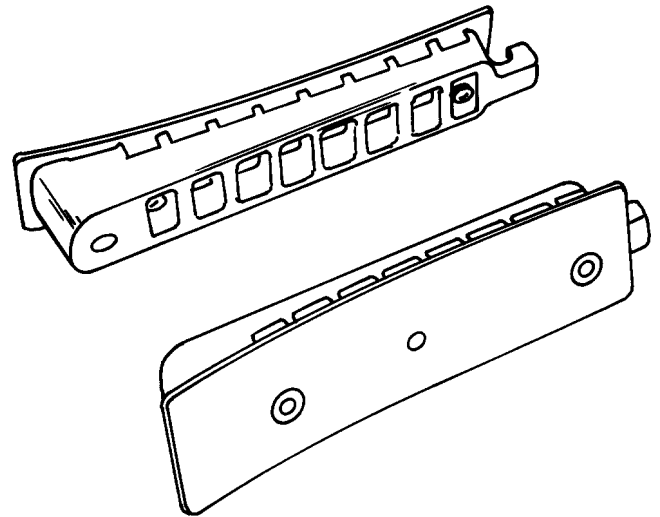
320 EFI Engine - Rich Idle

The MerCruiser Service Department has received some complaints from the field of 320 EFI engines running rich at idle. This condition is quite normal. All 320 EFI engines are set up to run slightly rich at idle. Anyone who has to do extensive idling to get to and from open water to do their boating may even notice some black smoke coming out of the exhaust pipes. Unless the engine runs so rich it affects the running characteristics, this condition should be considered normal.

High Speed Water Pick-Up Inserts - Alpha One

There has been some reports received of V-8 engines with Alpha Drives overheating when installed in deep-vee performance hulls. All of the reported cases are boats with twin engines and capable of running 55 to 60 MPH plus. The overheating normally takes place with the engines running at W.O.T. and the drive units trimmed out. Aerated water is being forced into the cooling system which causes the engine to overheat. MerCruiser has designed a high speed water pick-up (Part No. 93423A2) as a direct replacement for the standard inserts, which may be used if the above conditions exist.

IMPORTANT: These high speed water pick-ups will NOT be available until mid-April 1987.



21248

CAUTION

The use of high speed water pick-ups is recommended only in those cases where there is an indication of overheating due to gear case operating in an aerated water condition.

CAUTION

The use of this device increases the chance of debris getting caught in water inlet holes. Periodically inspect water inlet holes for debris.

CAUTION

Do not attempt to modify high speed water pick-ups, as this could render pick-ups ineffective and increase the possibility of high speed blow out and cavitation.

IMPORTANT: The high speed water pick-ups are considered a high performance accessory and as such, the cost of the pick-ups and installation will not be covered by MerCruiser warranty.