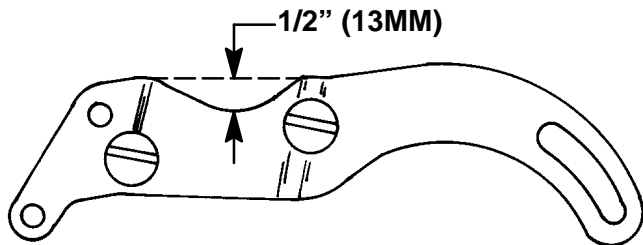


TO: SERVICE MANAGER TECHNICIANS
PARTS MANAGER

No. 87-13

Power Steering Bracket Modification When Installing Fresh Water Cooling on 1987 MCM 305/350 CID Engines

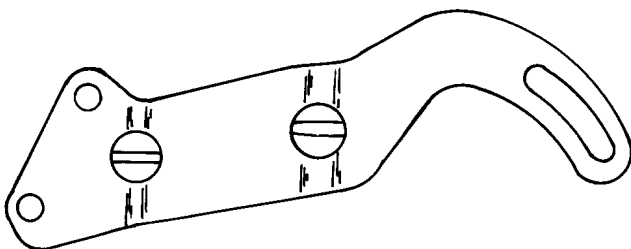
Some 1987 305/350 CID engines were produced with a power steering bracket that may interfere with the heat exchanger when installing fresh water cooling. If an interference does exist remove bracket and modify as shown in Figure 1. The bracket can be modified using a grinding wheel.



22228

Figure 1.

Later engines are being produced with a redesigned bracket (Figure 2) which allows for greater clearance between the bracket and the heat exchanger.

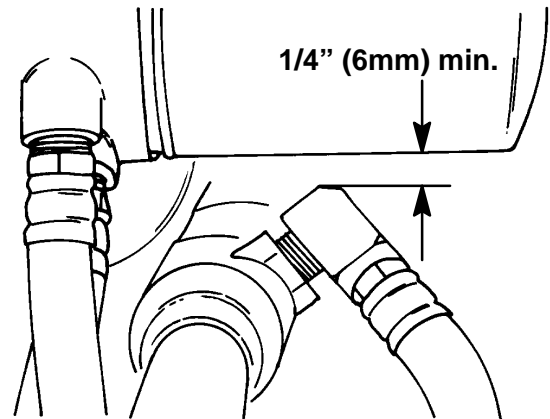


22229

Figure 2.

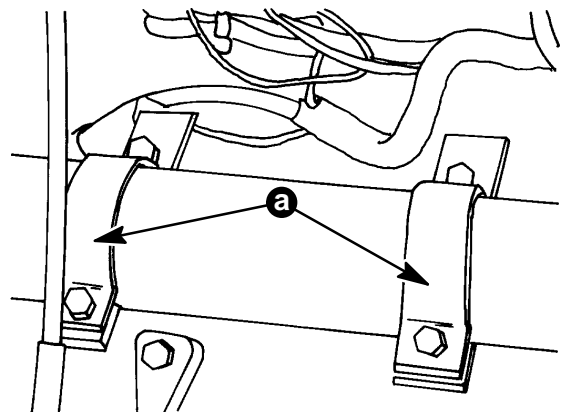
Oil Cooler Clamp Modification on MCM 575 Engines

MerCruiser has received a few isolated reports that the oil cooler has rotated in its mounting clamp. If this happens the fitting on the cooler rests against the oil filter and may possibly rub thru causing an oil leak and a possible loss of oil pressure. When servicing a 575 engine, remove the mounting clamp and place a self adhesive pad (Part No. 18068) on the inside of the upper half of the clamps. (Figure 3) Position cooler so there is a minimum of 1/4" (6mm) clearance between the oil cooler fitting and oil filter. (Figure 4) Install clamp and tighten securely.



22226

Figure 3.



22227

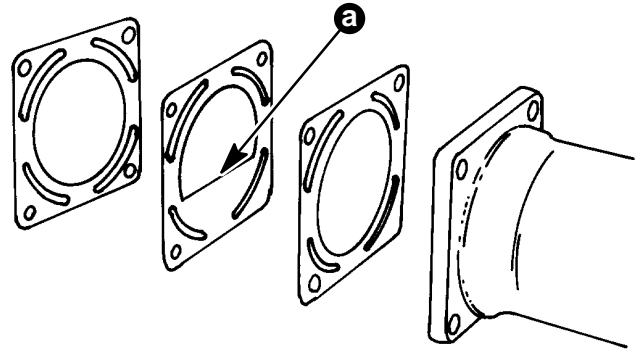
a - Place Pad Under Each Upper Half of Clamp

Figure 4.

MCM 420 Exhaust Pipe Baffles

Under certain operating conditions, (usually when a high speed boat is decelerated rapidly) there is a chance water may be ingested into a 420 engine thru the exhaust system. To prevent this from happening MerCruiser has designed a baffle (Part No. 18069) that will fit between the exhaust elbow and exhaust pipe. (Figure 5)

IMPORTANT: The baffle must be sandwiched between two gaskets (Part No. 27-13848) as shown in Figure 5. Baffle must be Installed In direction shown.



22257

a - Lip Must Face Towards Exhaust Pipe

Figure 5.