



STERN DRIVES/INBOARD ENGINES

NUMBER: 82-3

DATE: 5/11/82

- A. Exhaust Elbows Used On Early Production MerCruiser MIE 340 Engine
- B. Exhaust Elbows Used On Later Production MerCruiser MIE 230/260/340 Engines
- C. Permanent Type Anti-Freeze Solutions that are Approved for Use in MerCruiser 4 Cylinder 224 CID Engines (MCM/MIE 470 and MCM 485 Models)

CIRCULATE TO:
 SERVICE MANAGER
 PARTS MANAGER
 MECHANICS

A. EXHAUST ELBOWS USED ON EARLY PRODUCTION MERCUISER MIE 340 ENGINE

The early production runs of the above model engine used a 0° or 15° exhaust elbow without a stainless steel tube in the exhaust outlet. Under certain operating conditions and/or with certain exhaust collector systems, water can be drawn back into the engine during idle speed.

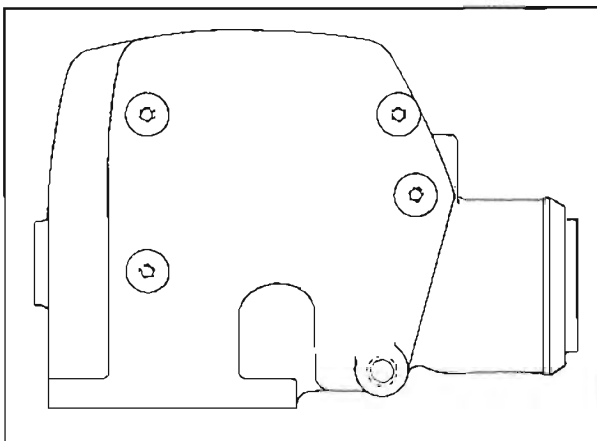
Because of this possibility, inspect all MIE 340 engines below Serial No. 6040783. Look at casting number on each exhaust elbow to ascertain if elbow is of early production type.

	<u>Without S.S. Tube</u>	<u>With S.S. Tube</u>
0°	97554	98501
15°	95755	98503

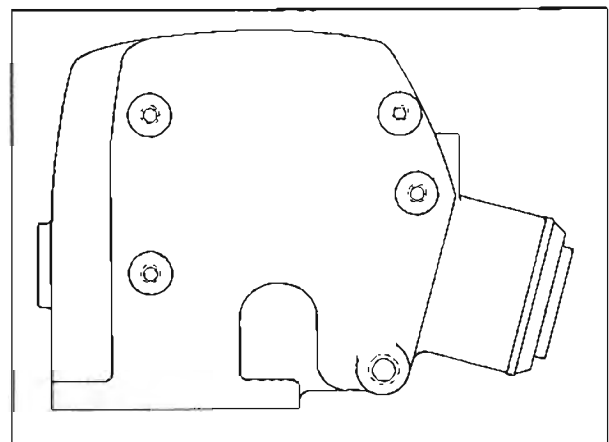
Replace all elbows, without the stainless steel tube, on the above model engines. Order the following below for each engine:

2	98502A2	0° Exhaust Elbow
	OR	
2	98504A3	15° Exhaust Elbow
2	27-87105	Elbow Gasket

B. EXHAUST ELBOWS USED ON LATER PRODUCTION MERCUISER MIE 230/260/340 ENGINES



98502A2 0° Exhaust Elbow.
 Standard On Engines Equipped with
 In-Line Transmissions



98504A3 15° Exhaust Elbow.
 Standard On Engines Equipped with
 V-Drive Transmissions. Optional On Engines
 Equipped with In-Line Transmissions

**C. PERMANENT TYPE ANTI-FREEZE SOLUTIONS THAT ARE APPROVED FOR USE IN
MERCUISER 4 CYLINDER 224 CID ENGINES (MCM/MIE 470 and MCM 485 MODELS)**

Listed below are the current brands of permanent type anti-freeze solutions that are approved for use in aluminum component MerCruiser engines.

NOTE: Use this information in conjunction with Service Bulletin 81-35 (12/22/81).

PRESTONE II

PEAK (Produced after January, 1981)

or any brand anti-freeze solution that meets G.M. specification 1825M.

DO NOT MIX the new anti-freeze solution with the old solution or it will cause small particles to form in the coolant. These small particles can settle in the heat exchanger and restrict coolant flow.

- Drain and flush the old anti-freeze solution from the closed cooling system.
- Re-fill closed cooling system with a 50/50 mixture of water and one of the approved brands of permanent type anti-freeze solutions listed above.

NOTE: In tropical areas, a good brand of rust inhibitor mixed with water can be used instead of a 50/50 mixture of anti-freeze and water. This supersedes the information in Service Bulletin 81-35 that states that the engines must use a mixture of anti-freeze and water.

Production has started using the new type anti-freeze solution. The starting serial number is listed below.

MCM 470/485

6073100 and above