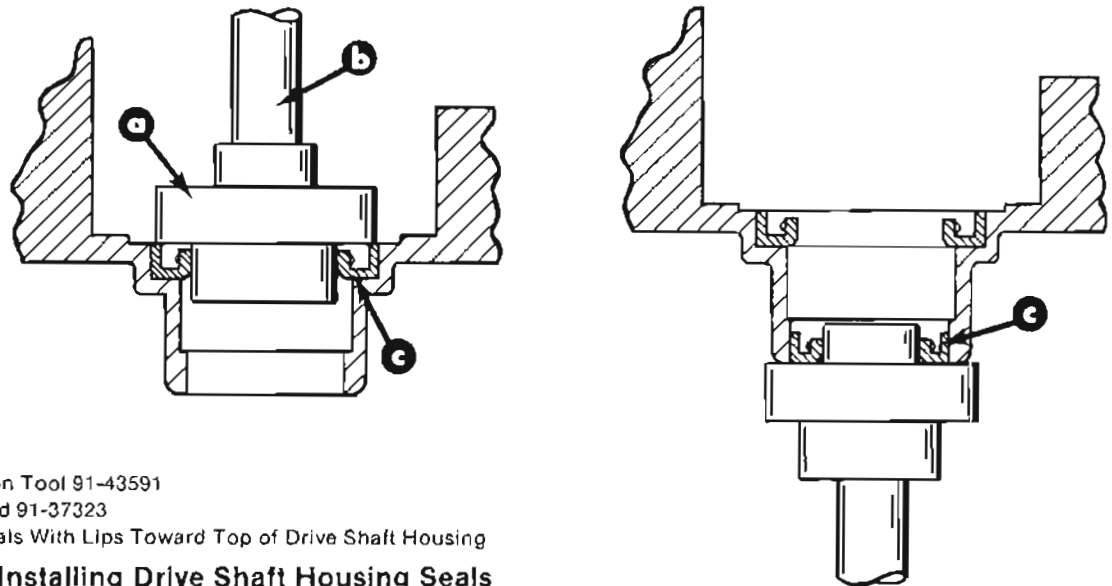


- A. Drive Shaft Housing Oil Seal Installation Tool for MerCruiser I Models
- B. Water Pump Base Oil Seal Installation Tool for MerCruiser I Models
- C. Special Tap for Installing New Style Shift Cable on MerCruiser I Models

CIRCULATE TO:  
 SERVICE MANAGER   
 PARTS MANAGER   
 MECHANICS   
 "Place in a Service  
 Bulletin Binder"

## A. DRIVE SHAFT HOUSING OIL SEAL INSTALLATION TOOL FOR MERCUISER I MODELS

A new Oil Seal Installation Tool, 91-43591, is now available for installing the upper drive shaft oil seals in the drive shaft housing. (Figure 1) The new tool can be used on all MerCruiser I models and replaces Oil Seal Driver, 91-56032, which is no longer available.

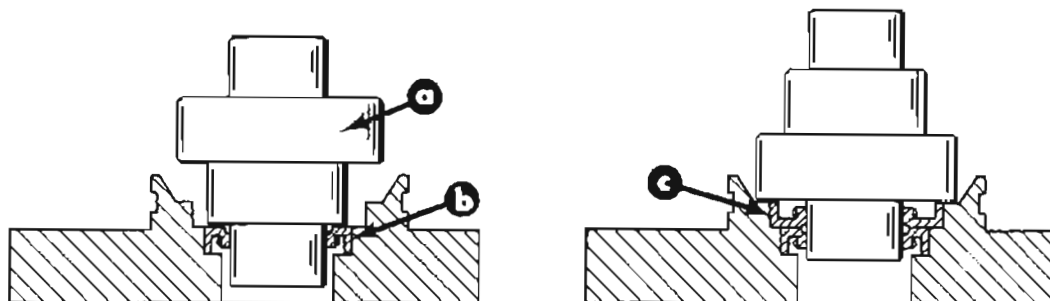


- a - Installation Tool 91-43591
- b - Driver Rod 91-37323
- c - Install Seals With Lips Toward Top of Drive Shaft Housing

**Figure 1. Installing Drive Shaft Housing Seals**

## B. WATER PUMP BASE OIL SEAL INSTALLATION TOOL FOR MERCUISER I MODELS

An Oil Seal Installation Tool, 91-44110 is now available for installing oil seals in the water pump base. (Figure 2) This tool will work on all MerCruiser I models and all 75 HP and above Mercury/Mariner models.



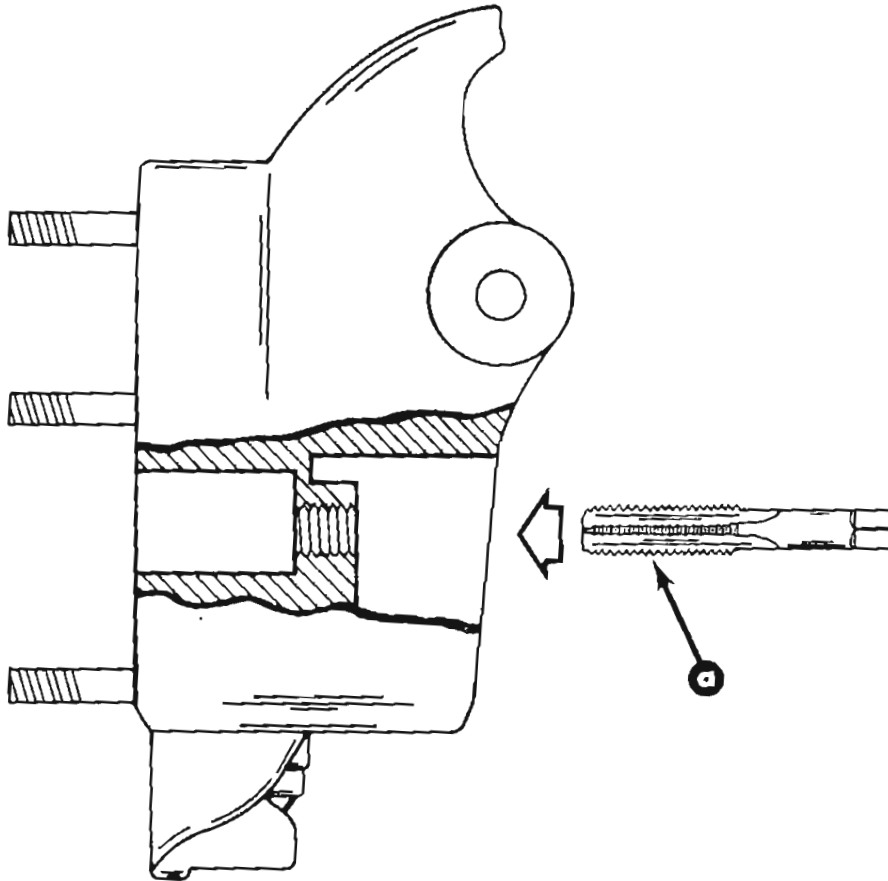
- a - Installation Tool 91-44110
- b - Install Upper Seal With Lip Toward Water Pump
- c - Install Lower Seal With Lip Toward Gear Housing

**Figure 2. Installing Oil Seals In Water Pump Base**

## SPECIAL TAP FOR INSTALLING NEW STYLE SHIFT CABLE ON MERCUISER I MODELS

MerCruiser 120R-thru-260R drive unit shift cable, 41951A1 (which attaches to bell housing from aft end) can be used on older MerCruiser I models. To do this, threaded hole in bell housing must be tapped all-the-way thru, using a  $\frac{1}{4}$ -18 NPSF tap. (Figure 3) This special straight thread tap may be difficult to obtain in some areas, therefore, Mercury Marine will now offer it under part number 91-95639. The following important information must be observed when performing tapping operation:

- Tapping must be done from the front (bellows) end of bell housing to prevent cross-threading.
- Never use a tapered thread tap as improper positioning of shift cable may result.



a - Tap 91-95639

Figure 3. Tapping Threaded Hole In Bell Housing