



Service Bulletin

Bulletin No. 2007-63
CMD 2007-03

Circulate to: Sales Manager Accounting Service Manager Technician Parts Manager

QSD 2.0 Sterndrive Power Steering Cooler Interference

Models Affected

Models Covered	Serial Number
QSD 2.0 130 HP	88206002–88206009
	88206011–88206013
	88206015
	88206017–88206019
	88206023–88206026
	88206029
QSD 2.0 150 HP	88220000–88221023
	88221025–88221040
	88221042
	88221045–88221047
	88221055–88221056
	88221059–88221075
	88221077
	88221081–88221082
	88221087
	88221089–88221091
	88221099
	88221101–88221105
	88221107–88221109
	88221114
88221116	

Situation

QSD 2.0 sterndrive models within the serial number range may have an interference between the power steering cooler fittings and the clevis of the steering ram when the drive is turned hard to the right.

NOTE: *Steering clevis is in its leftmost position looking at the rear of the vessel.*

THE INFORMATION IN THIS DOCUMENT IS CONFIDENTIAL AND PROTECTED BY COPYRIGHT AND IS THE PROPERTY OF MERCURY MARINE.

This document is provided for the sole and exclusive use of the original recipient as prescribed by Mercury Marine and may not be distributed or copied, digitally or otherwise, without the prior written consent of Mercury Marine.

Correction

Inspect for interference of the steering control valve clevis and the power steering cooler fitting when the drive is turned full starboard.

If there is interference, modify the cooler orientation as follows:

⚠ WARNING

Performing service or maintenance without first disconnecting the battery can cause product damage, personal injury, or death due to fire, explosion, electrical shock, or unexpected engine starting. Always disconnect the battery cables from the battery before maintaining, servicing, installing, or removing engine or drive components.

⚠ CAUTION

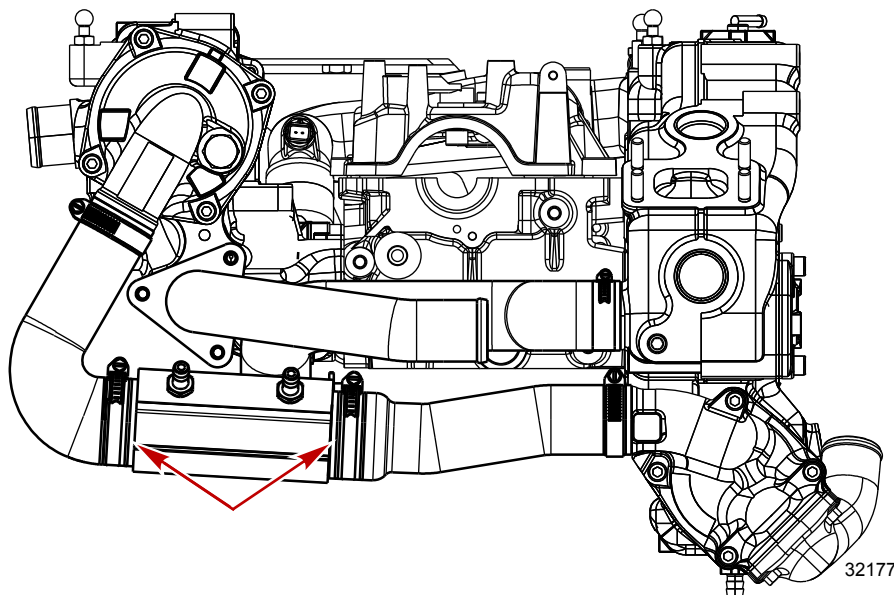
Disconnecting or connecting the battery cables in the incorrect order can cause injury from electrical shock or can damage the electrical system. Always disconnect the negative (-) battery cable first and connect it last.

1. Disconnect the battery cables.

⚠ CAUTION

Water can enter the bilge when the drain system is open, damaging the engine or causing the boat to sink. Remove the boat from the water or close the seacock, disconnect and plug the seawater inlet hose, and ensure the bilge pump is operating before draining. Do not operate the engine with the drain system open.

2. Close the seacock, if equipped, or disconnect and plug the seawater inlet hose.
3. Drain the seawater system.
4. Remove the air cleaner assembly, if necessary, for access.
5. Loosen the hose clamps on both ends of the power steering cooler.

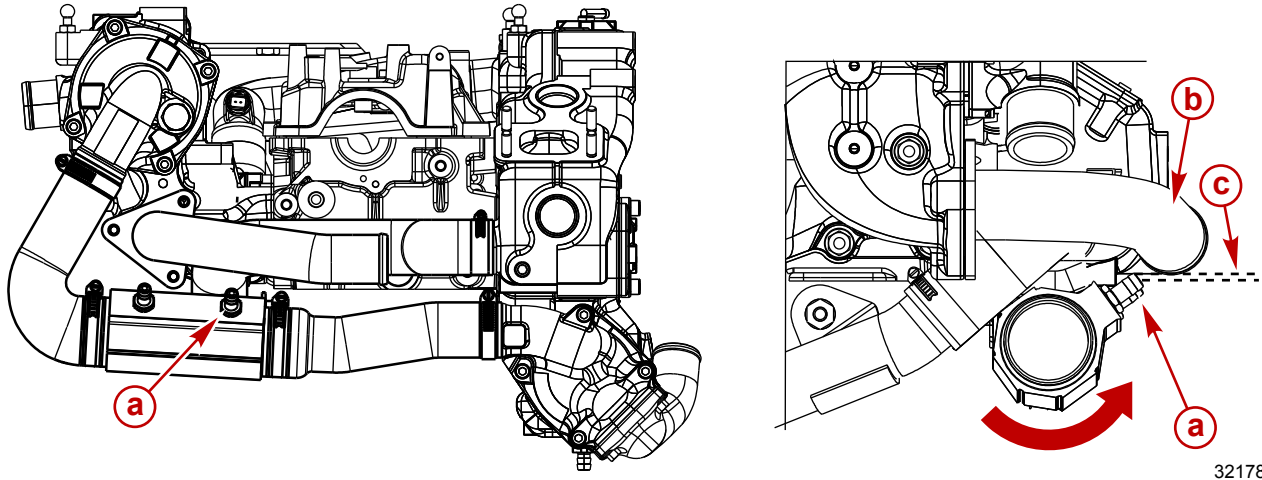


Hose clamps

THE INFORMATION IN THIS DOCUMENT IS CONFIDENTIAL AND PROTECTED BY COPYRIGHT AND IS THE PROPERTY OF MERCURY MARINE.

This document is provided for the sole and exclusive use of the original recipient as prescribed by Mercury Marine and may not be distributed or copied, digitally or otherwise, without the prior written consent of Mercury Marine.

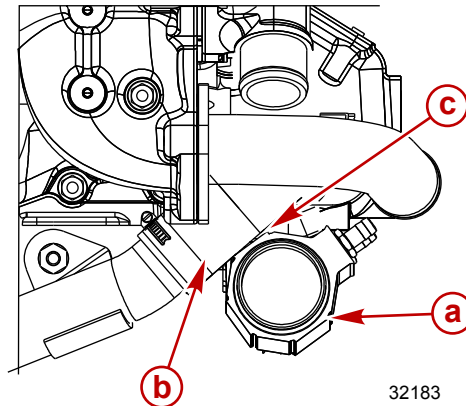
- Rotate the power steering cooler until there is clearance between the referenced fitting and the under side of the air crossover tube.



- a** - Fitting
- b** - Air crossover tube
- c** - Clearance

32178

- Check for interference between the back of the power steering cooler and the engine coolant hose. Adjust if necessary.



- a** - Power steering cooler
- b** - Engine coolant hose
- c** - Possible interference

32183

- Tighten hose clamps on both ends of the power steering cooler.
- Connect the battery cables.
- Open the seacock, if equipped, or unplug and connect the seawater inlet hose.
- Check for leaks upon first starting the engine.
- Recheck for interference with the steering control valve clevis when the drive is turned full starboard.

THE INFORMATION IN THIS DOCUMENT IS CONFIDENTIAL AND PROTECTED BY COPYRIGHT AND IS THE PROPERTY OF MERCURY MARINE.

This document is provided for the sole and exclusive use of the original recipient as prescribed by Mercury Marine and may not be distributed or copied, digitally or otherwise, without the prior written consent of Mercury Marine.

Warranty

Cummins MerCruiser Diesel will credit the dealer for the cost of parts, labor, and reasonable travel through 1 September 2011. Submit a warranty claim through your normal warranty processing channel, listing:

- MerCruiser serial number
- Part Code: 820
- Failure Code: 00
- Flat Rate Code and Labor:

Labor Code	Flat Rate
MC11	1.0
EXCP	0.5

Old Parts or Parts:

- **USA and Canada:** Scrap
- **International:** Follow instructions issued by your Marine Power International office or by your distributor.

THE INFORMATION IN THIS DOCUMENT IS CONFIDENTIAL AND PROTECTED BY COPYRIGHT AND IS THE PROPERTY OF MERCURY MARINE.

This document is provided for the sole and exclusive use of the original recipient as prescribed by Mercury Marine and may not be distributed or copied, digitally or otherwise, without the prior written consent of Mercury Marine.