



# Service Bulletin

Bulletin No. 2005-64  
CMD 2005-04

Circulate to:  Sales Manager  Accounting  Service Manager  Technician  Parts Manager

## OIL PRESSURE SENDER / COOLANT RESERVOIR (EXPANSION TANK) / HEAT EXCHANGER MODIFICATIONS

### Models Affected

Models Affected	Serial Number Or Year
2.8 ES 170 / 2.8 EI	88005200 to 88005228
2.8 ES 200 / 2.8 EI	88010026 to 88010550

### Situation

On engines in the above noted serial number range, modifications to the oil pressure sender, coolant reservoir (expansion tank) and heat exchanger are advised. These modifications are intended to reduce the possibility of a minor oil leak, improve cooling component mounting durability and should be carried out during routine or scheduled servicing of the product.

### Solution

In order to perform the modifications discussed in this service bulletin, it is necessary to order kit part number 895515.

### Oil Pressure Senders

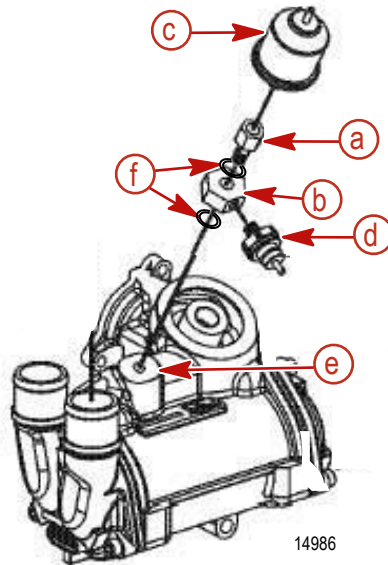
Complete the modifications as follows:

1. Remove and retain the oil pressure sender.
2. Remove and retain the oil pressure switch.
3. Remove and discard the oil pressure sender adapter.
4. Remove and discard the oil pressure switch base and the 2 sealing washers.
5. Install the oil pressure switch base, oil pressure sender adapter and sealing washers into the oil cooler housing.

THE INFORMATION IN THIS DOCUMENT IS CONFIDENTIAL AND PROTECTED BY COPYRIGHT AND IS THE PROPERTY OF MERCURY MARINE.

This document is provided for the sole and exclusive use of the original recipient as prescribed by Mercury Marine and may not be distributed or copied, digitally or otherwise, without the prior written consent of Mercury Marine.

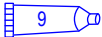
- Using a suitable wrench, position the threaded hole on the oil pressure switch base to port. Torque the adapter.



- a** - Oil pressure sender adapter
- b** - Oil pressure switch base
- c** - Oil pressure sender
- d** - Oil pressure switch
- e** - Oil cooler housing
- f** - Sealing washer

Description	Nm	lb. in.	lb. ft.
Oil pressure sender adapter	30		22

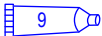
- Apply sealant to the threads of the oil pressure switch.

Tube Ref No.	Description	Where Used	Part No.
 9	Loctite 567 PST Pipe Sealant	oil pressure switch	92-809822

- Install the oil pressure switch into the oil pressure switch base. Torque the oil pressure switch.

Description	Nm	lb. in.	lb. ft.
Oil pressure switch	10.8	95	

- Apply sealant to the threads of the oil pressure sender.

Tube Ref No.	Description	Where Used	Part No.
 9	Loctite 567 PST Pipe Sealant	oil pressure sender	92-809822

- Install the oil pressure sender into the oil pressure sender adapter. Torque the oil pressure sender.

THE INFORMATION IN THIS DOCUMENT IS CONFIDENTIAL AND PROTECTED BY COPYRIGHT AND IS THE PROPERTY OF MERCURY MARINE.

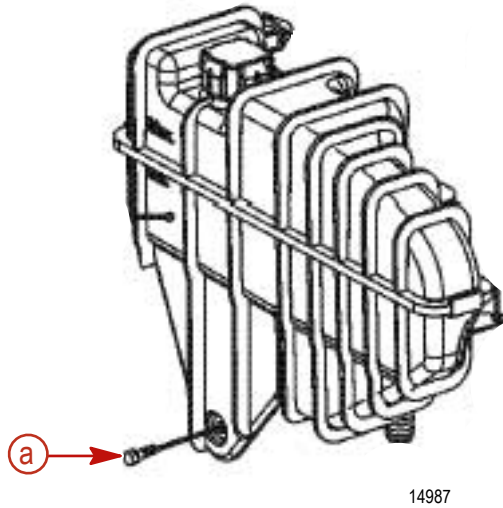
This document is provided for the sole and exclusive use of the original recipient as prescribed by Mercury Marine and may not be distributed or copied, digitally or otherwise, without the prior written consent of Mercury Marine.

Description	Nm	lb. in.	lb. ft.
Oil pressure sender	10.8	95	

### Coolant Reservoir (Expansion Tank)

Complete the modifications as follows:

1. Remove and discard the M6 x 30 mm lower mounting screw.
2. Using a M6 x 1.0 bottoming tap, increase the length of the threads in the thermostat housing lower mounting port for the coolant reservoir (expansion tank) by 5 mm.
3. Install the new M6 x 35 mm lower mounting screw into the lower mounting port of the coolant reservoir (expansion tank). Torque the screw.



14987

**a** - Lower mounting screw

Description	Nm	lb. in.	lb. ft.
Lower mounting screw M6 x 35	10.8	95	

### Heat Exchanger

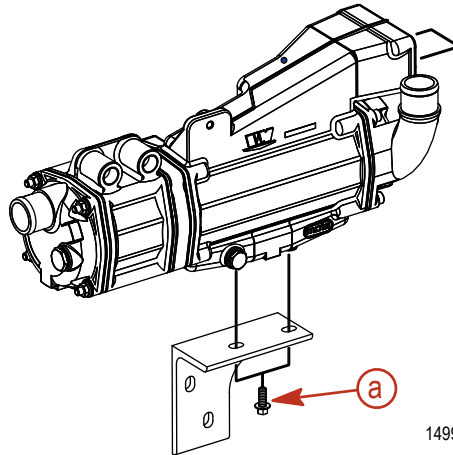
Complete the modifications as follows:

1. Remove and discard the existing M8 x 15 mm heat exchanger lower bracket mounting screws.

THE INFORMATION IN THIS DOCUMENT IS CONFIDENTIAL AND PROTECTED BY COPYRIGHT AND IS THE PROPERTY OF MERCURY MARINE.

This document is provided for the sole and exclusive use of the original recipient as prescribed by Mercury Marine and may not be distributed or copied, digitally or otherwise, without the prior written consent of Mercury Marine.

2. Install the new M8 x 20 mm heat exchanger lower bracket mounting screws. Torque the screws.



**a - Screw**

Description	Nm	lb. in.	lb. ft.
Heat exchanger lower bracket mounting screwsM8 x 20	19.6	173	

## Warranty

**USA & Canada** – Cummins MerCruiser Diesel authorizes the repair to the engine(s) listed in this bulletin and will reimburse the distributor or distributor/dealer for the cost of parts and labor until May 31, 2008. Please note the month and year located at the lower left corner of the front page of this document. Dealers, contact your Cummins MerCruiser Distributor office for instructions.

**International** – Cummins MerCruiser Diesel will repair the engine(s) listed in the bulletin and will reimburse the dealer for the cost of parts and labor Until May 31, 2008. Please note the month and year located at the lower left corner of the front page of this document. Contact your international office for instructions.

Complete the warranty claim listing:

Engine serial number	
Kit	1 x 895515
Hours labor.	2.2
Part Code	419 / Oil Pressure Sender
Flat Rate / Labor Codes	ME57, ME66
Part Code	699 / Misc. Part Cooling
Flat Rate / Labor Codes	ME57, ME66, MC12
Failure Code	00/Service Bulletin Adjustment

THE INFORMATION IN THIS DOCUMENT IS CONFIDENTIAL AND PROTECTED BY COPYRIGHT AND IS THE PROPERTY OF MERCURY MARINE.

This document is provided for the sole and exclusive use of the original recipient as prescribed by Mercury Marine and may not be distributed or copied, digitally or otherwise, without the prior written consent of Mercury Marine.