

Circulate to: Sales Manager Accounting Service Manager Technician Parts Manager

Steering System Reservoir Cap O-Ring

Models Affected

Models	Horsepower	Serial Number Range
4.5L	200/250 hp	2A578514–2A578549
6.2L	300/350 hp	2A574542–2A578514
8.2L	380/430 hp	2A575075–2A578346

Scope

Worldwide

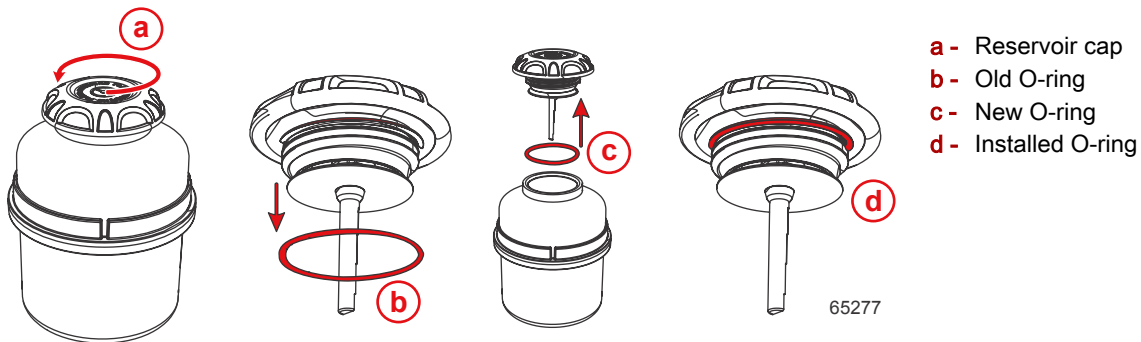
Situation

Mercury MerCruiser has received reports of the reservoir cap being difficult to remove. If this is an issue for the customer, follow the instructions below.


Correction

Order replacement O-ring and install on the power steering reservoir cap.

Installation



1. Remove the reservoir cap (turn counterclockwise).
2. Remove the old O-ring and discard.
3. Lubricate the O-ring with Power Trim and Steering Fluid and install the O-ring.

Tube Ref No.	Description	Where Used	Part No.
 114	Power Trim and Steering Fluid	Lubricate the O-ring	92-858074K01

4. Ensure the O-ring is seated to the top edge of the reservoir cap.

THE INFORMATION IN THIS DOCUMENT IS CONFIDENTIAL AND PROTECTED BY COPYRIGHT AND IS THE PROPERTY OF MERCURY MARINE.

This document is provided for the sole and exclusive use of the original recipient as prescribed by Mercury Marine and may not be distributed or copied, digitally or otherwise, without the prior written consent of Mercury Marine.

5. Tighten the reservoir cap onto the reservoir.

Parts Required

Qty	Description	Part Number
1	O-ring	8M0111621

Warranty

Mercury Marine will credit the dealer for the cost of the labor and part if the engine is within the warranty period. Submit a warranty claim through your normal warranty processing channel.

Labor: 0.2 hour

Warranty flat rate code: SB02

Part failure code: 899

Failure code: 78

Part number: 8M0111621

THE INFORMATION IN THIS DOCUMENT IS CONFIDENTIAL AND PROTECTED BY COPYRIGHT AND IS THE PROPERTY OF MERCURY MARINE.

This document is provided for the sole and exclusive use of the original recipient as prescribed by Mercury Marine and may not be distributed or copied, digitally or otherwise, without the prior written consent of Mercury Marine.