



Service Bulletin

Bulletin No. 2010-70
CMD 2010-10

Circulate to: Sales Manager Accounting Service Manager Technician Parts Manager

Service Replacement Joystick

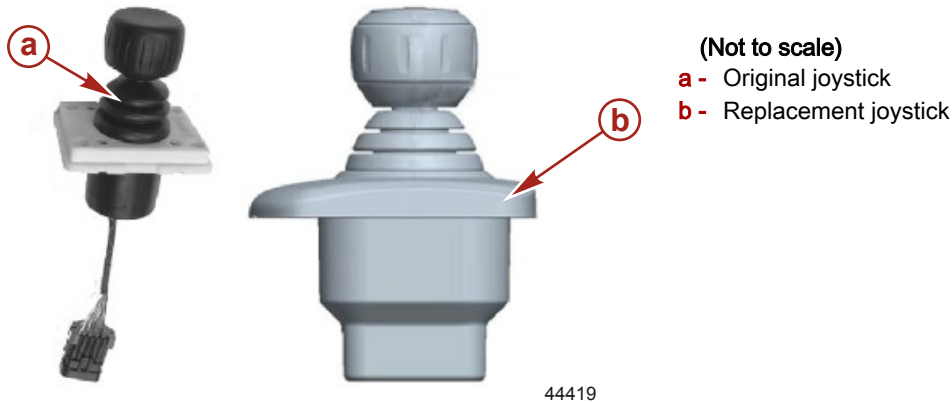
Models Covered

Description	Models Covered
QSD Axisus	All

Situation

The original Axisus joystick supersedes to a replacement joystick that requires a larger mounting hole.

Joystick Part Number	Height Above Surface	Depth Below Surface
Original: 879172T62	97 mm (3-13/16 in.)	82 mm (3-3/16 in.)
Replacement: 879365A21	90 mm (3-1/2 in.)	91 mm (3-5/8 in.)



Correction

Order the joystick and cutout template separately. Use the template when enlarging the mounting hole. Replace the original joystick with the replacement joystick.

IMPORTANT: Use care when cutting fiberglass to enlarge the mounting hole. Cummins MerCruiser Diesel is not responsible for and will not provide reimbursement for repairs to damaged helms.

Required Replacement Parts

Description	Part Number
Joystick	879365A21
Reusable cutout template	8M0041782

THE INFORMATION IN THIS DOCUMENT IS CONFIDENTIAL AND PROTECTED BY COPYRIGHT AND IS THE PROPERTY OF MERCURY MARINE.

This document is provided for the sole and exclusive use of the original recipient as prescribed by Mercury Marine and may not be distributed or copied, digitally or otherwise, without the prior written consent of Mercury Marine.

Warranty (If Applicable)

Cummins MerCruiser Diesel will credit the dealer for the cost of parts, labor, and reasonable travel during the normal engine warranty period. Submit a warranty claim through your normal warranty processing channel, listing:

1. MerCruiser serial number
2. Part Code: 662
3. Failure Code: 18
4. Labor Codes and Flat Rates:

Labor Code	Flat Rate
MR17	0.5
SB05	0.5

Old Parts:

- **United States and Canada:** Scrap
- **Outside the United States and Canada:** Follow instructions issued by your Marine Power International office or by your distributor.

THE INFORMATION IN THIS DOCUMENT IS CONFIDENTIAL AND PROTECTED BY COPYRIGHT AND IS THE PROPERTY OF MERCURY MARINE.

This document is provided for the sole and exclusive use of the original recipient as prescribed by Mercury Marine and may not be distributed or copied, digitally or otherwise, without the prior written consent of Mercury Marine.