

Water Inlet Covers Standard on All Hi-Performance Torque Master Gear Cases

MODELS AFFECTED

All Hi-Performance 150/200/225 & 300 Pro Max and Super Magnum engines using Torque Master gear cases.

WATER INLET COVER USAGE

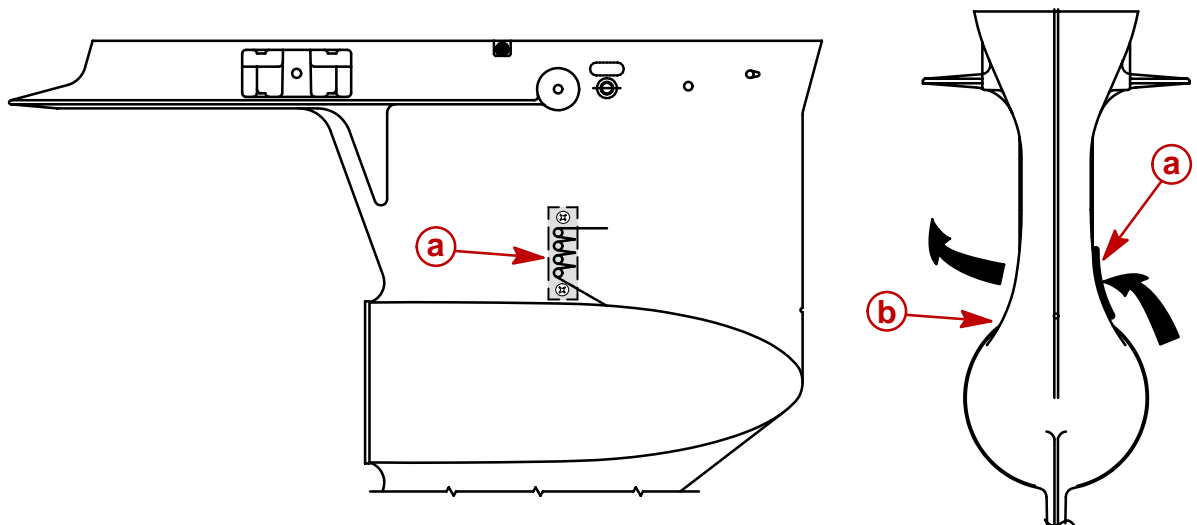
All Torque Master gear cases included with an engine package or purchased as a service unit will have water inlet covers installed. These covers help to insure adequate water flow when engine installations are high.

Normal Water Pressure	15-22 psi @ 5500 rpm
Minimum Water Pressure	12 psi @ 5500 rpm

If excessive water pressure is noted (above 25 psi @ 5500 rpm), remove **both** inlet covers to avoid possible engine damage. Functionally, the screw holes do not need to be filled. If desired, fill screw holes with epoxy.

⚠ CAUTION

A lack of water flow to the engine is likely to occur if only one water inlet cover is installed on a gear case. The water entering the side with the cover is under greater pressure than the water trying to enter the gear case on the side without a cover. Therefore, the water from the cover side goes out the water inlets of the side without a cover resulting in little water reaching the powerhead.



- a** - Water Inlet Plate Over Water Inlets
- b** - Water Flow When Using Only One Plate