

## Cross Pins Missing – Single Ram Trim – 40/50 and 90/120

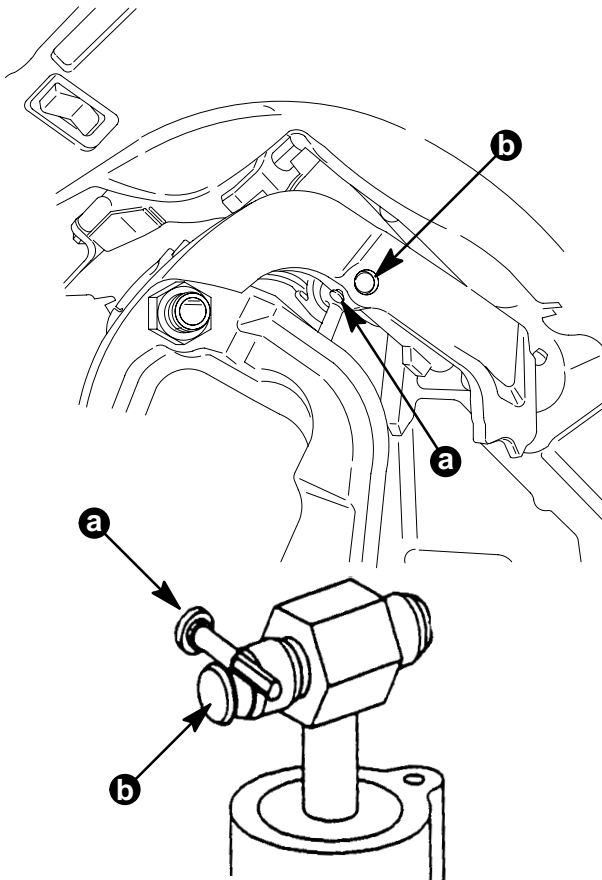
### Models Affected

#### FORCE

1998 40/50 and 90/120

There have been reports of the upper and/or lower cross pins missing or incorrectly installed in some 1998 model year single ram trim systems. Please be sure to check for correct installation of the upper and lower cross pins during pre-delivery inspection on all 1998 40/50 and 90/120 hp outboards.

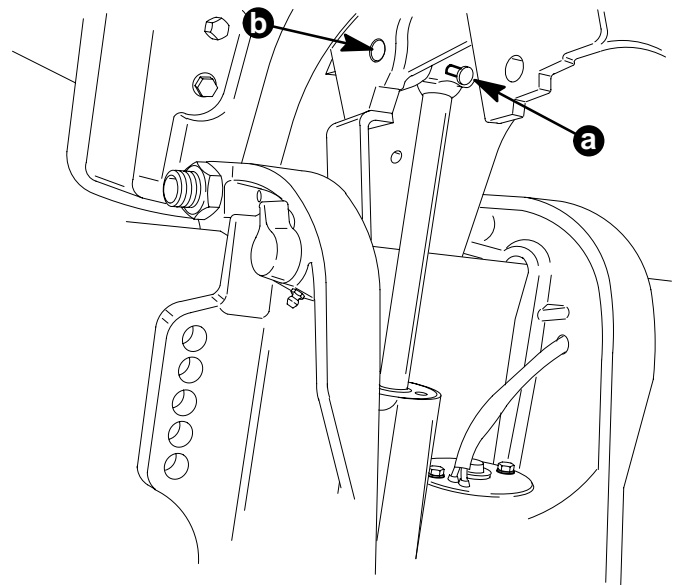
#### FORCE 40-50 UPPER CROSS PIN



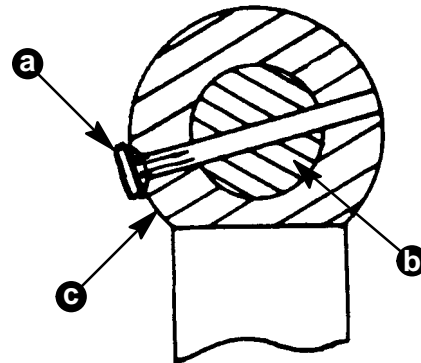
a - Cross Pin  
b - Pivot Pin

Cross pin (a) **MUST** be installed through the groove in the pivot pin (b). The head of the cross pin **MUST** be seated against boss of swivel bracket.

#### FORCE 90-120 UPPER CROSS PIN



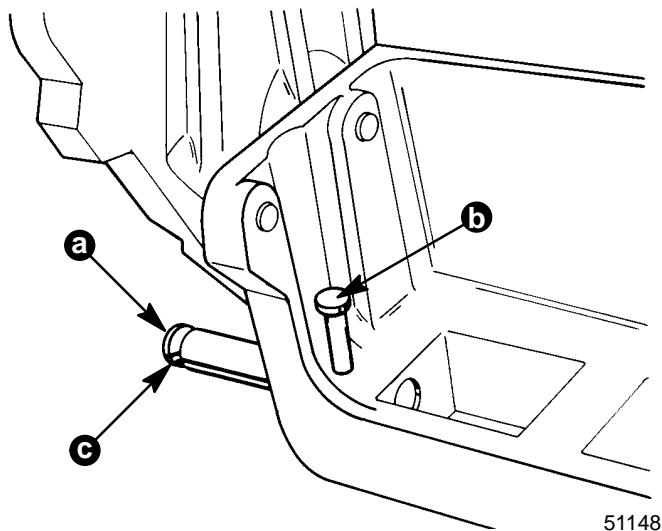
55464



a - Cross Pin  
b - Pivot Pin  
c - Rod Eye

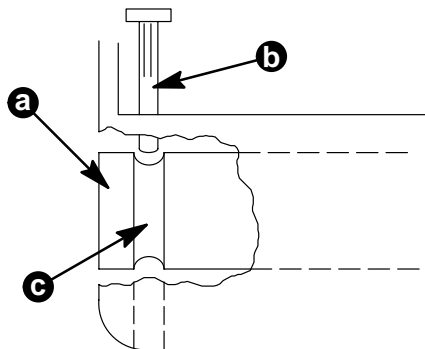
Upper cross pin (a) **must** be installed through the hole in the pivot pin (b). The head of the cross pin **must** be seated against the rod eye.

## FORCE 90-120 LOWER CROSS PIN



- a - Pivot Pin
- b - Cross Pin
- c - Groove in Pivot Pin

Lower cross pin must be installed through the groove in the pivot pin. The head of the cross pin must be seated against the casting.



- a - Pivot Pin
- b - Cross Pin
- c - Groove in Pivot Pin

The head of the pivot pin is usually flush with the outside of the casting when the cross pin is aligned with the pivot pin groove.

## WARRANTY

Install missing or incorrectly installed cross pins.

Complete a warranty claim listing:

- Outboard serial number
- Cross pin(s) (821539)
- Five tenths (0.5) hour labor
- Flat rate code NJC
- Failure code 129-03

Do not submit a warranty claim for inspection only.