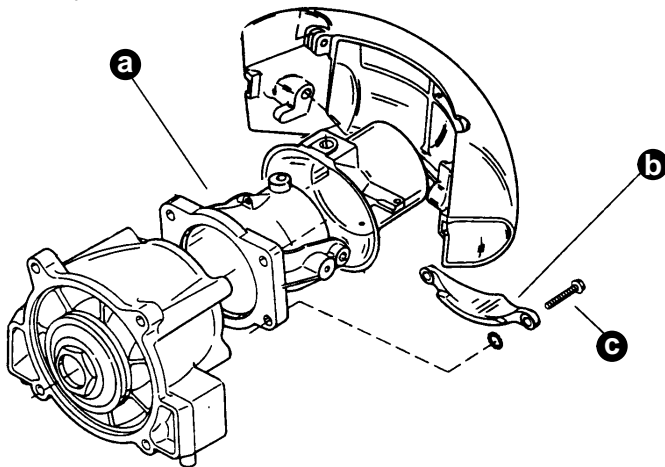


## Official Recall Notification Federal Boat Safety Act Nozzle Assembly – Sport Jet 175

### Models Affected

Sport Jet 175 Pump  
1997 and 1998 models  
Serial number 0E151580 thru 0E289626

The nozzle assembly screws for the Sport Jet 175XR<sup>2</sup> pump unit may, under certain circumstances, lose clamp load. If that happens, sudden loss of steering control could occur. As a result, we are initiating a recall pursuant to the Federal Boat Safety Act.



a - Nozzle  
b - Anode  
c - Screw (4)

### Owner Notification

A combination letter/claim will be sent to every registered owner of the Sport Jet 175XR<sup>2</sup> within the serial number range listed on this bulletin. The letter will advise the owner to return his boat with a Sport Jet 175XR<sup>2</sup> to the selling dealer or an authorized dealer for the installation of a new sacrificial anode. A copy of the letter/claim is attached to this bulletin.

### Dealer Boat Inventory

Boats with the Sport Jet 175XR<sup>2</sup> within the serial number range must have the sacrificial anode kit installed prior to customer delivery.

### Dealer Parts Inventory

Return all anodes with part number 833163C. List quantity and part number on warranty claim and write "Return for credit per Service Bulletin 97-12".

### Correction

Installation instructions are included with the anode kit.

### Parts Required

Order: Qty. 1 of 833163A1 Anode Kit

### Repair Identification

- All pumps with the new anode design will be identified by a red ink mark on the anode next to the heads of both screws which secure the anode and nozzle to the stator.
- All pumps with the serial number 0E289627 and higher have the new anodes.

### Warranty

Complete a warranty claim listing:

- Pump serial number(s)
- Anode Kit(s)
- One half (.5) hour labor
- Warranty Labor rate code – JD15
- Failure code – 825-40
- US & Canada

Replaced anodes must be returned with warranty claim.

- International

Hold parts for disposition by a Marine Power technical representative.

Dear Sport Jet Owner:

Our records indicate you are the owner of a Sport Jet included in a recall being conducted in accordance with the Federal Boat Safety Act. The nozzle assembly screws for the pump unit may, under certain circumstances, loosen. If that happens, sudden loss of steering control could occur. We are initiating this recall to eliminate the possibility of this happening.

**DO NOT OPERATE YOUR BOAT UNTIL THESE REPAIRS ARE DONE**

*NOTE: If your boat is currently in storage, it is permissible to have the sacrificial anode kit installed later when the boat is taken out of storage. The repairs should be completed as soon as possible before the start of your next boating season.*

**WHAT YOU SHOULD DO**

Contact your authorized Sport Jet dealer, preferably the one who sold your boat to you, and make arrangements to deliver your boat to the dealer to have the necessary repairs performed. The reverse side of this letter is a pre-printed recall claim form covering the service.

**WHAT WE WILL DO**

The dealer will perform the repairs at no charge to you. We will reimburse the dealer upon receipt of the claim form.

Please make arrangements to have this work done as soon as possible. We apologize for inconveniencing you, but we are taking this action in the interest of your safety and satisfaction.

Sincerely,

Bob Kachelek  
U.S. Service

Ralph Lawson  
Canadian Service

