

9.9 and 15 HP BIM Ignition System

The 9.9 and 15 HP Force Engines for 1991 were built with two different BIM (Breakerless Ignition Module) Ignition Systems. The flywheel and coils differ and should NOT be intermixed. System #1 has a flywheel with the magnets glued on it and the coils have blue and brown primary lead wires. System #2 uses a flywheel with the magnets machined/recessed into the flywheel. The coils have gray and black primary leads. See Figure 1 for component identification and part numbers.

⚠ CAUTION

Intermixing components from one system to another will cause an erratic running condition.

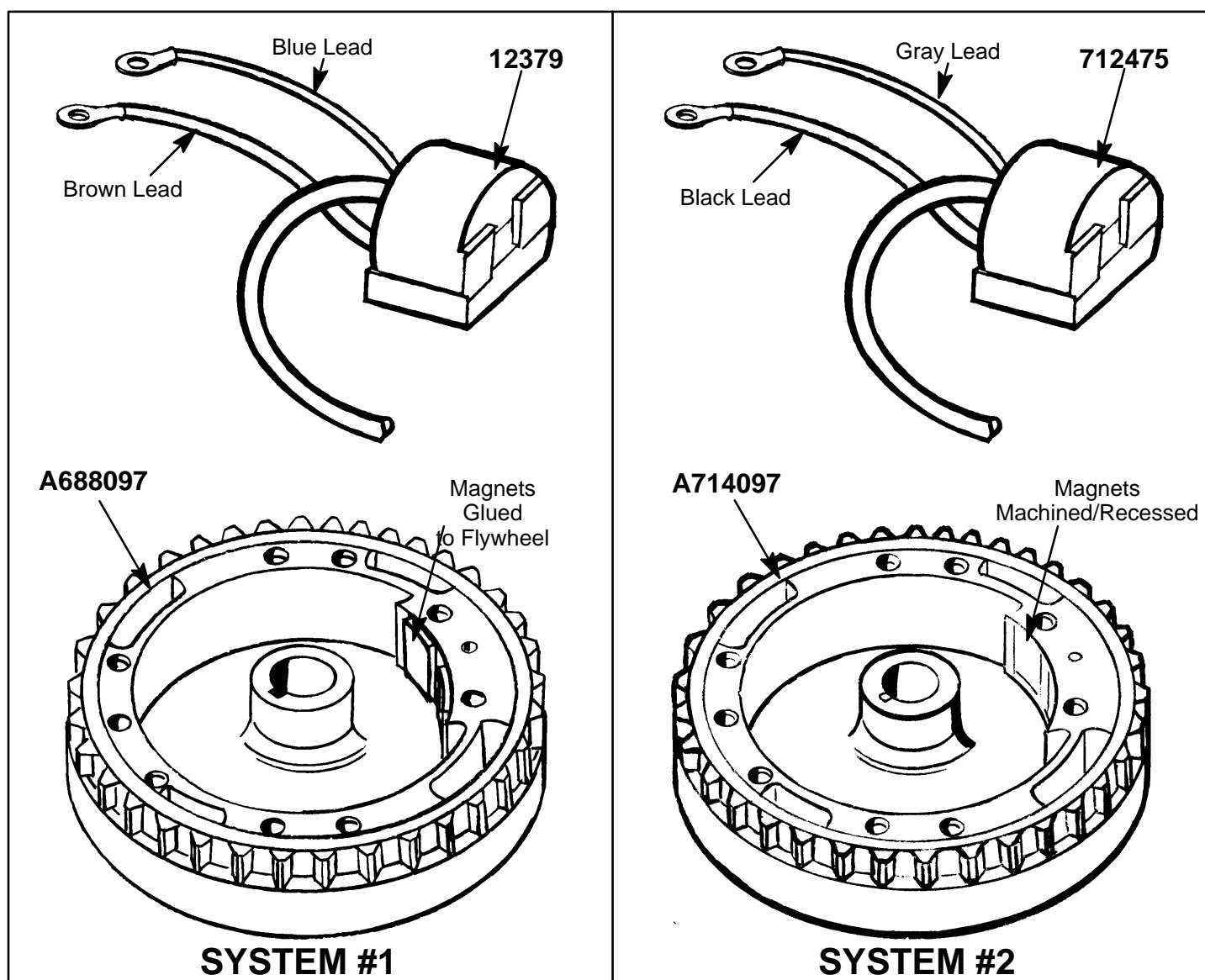


Figure 1.