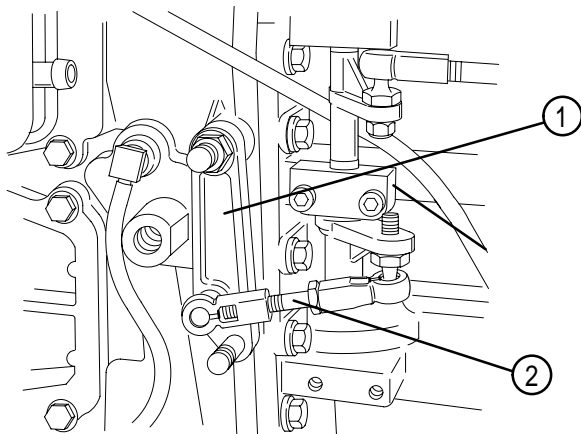


Official Notification - Federal Boat Safety Act Towershaft Lever Stop 1995 40/50 HP Models

1995 40/50 HP Models

S/N 0E093700 TO S/N 0E119819

A potential problem was found by Engineering while conducting performance tests. One of the ends of the towershaft lever link between the towershaft lever and towershaft could disengage during a hard acceleration maneuver causing loss of throttle control. As a result, we are initiating a recall pursuant to the Federal Boat Safety Act.



53761

- 1 - Towershaft Lever
- 2 - Towershaft Link Assembly

There have been no reported field failures.

A towershaft lever stop kit was designed to eliminate this potential problem. The part number for this kit is 830121A1.

NOTE: There is a small group of motors within the serial number range listed in this bulletin that need to have the power trims checked. Please refer to Service Bulletin 95-2 for complete instructions.

Owner Notification

A combination letter/claim will be sent to every registered owner of an outboard within the above listed serial number range. The letter will advise the owner to return their outboard motor to the selling dealer or an authorized dealer for installation of the towershaft lever stop kit. A copy of the letter/claim is attached to this service bulletin.

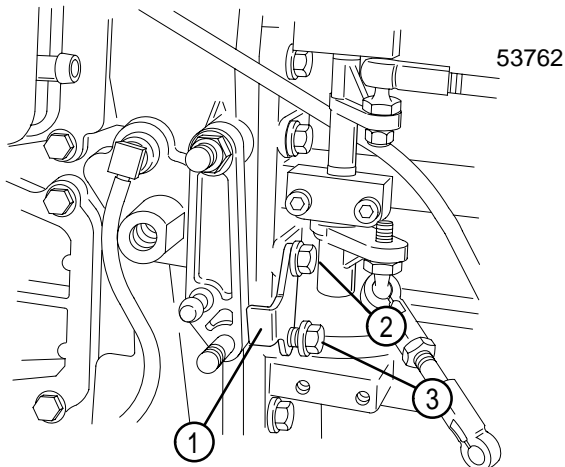
Dealer Outboard Inventory

Outboards within the above serial number range must have the stop kit installed prior to customer delivery. Outboards repaired at the factory have a green dot on the model/serial number label of the engine carton.

Installation

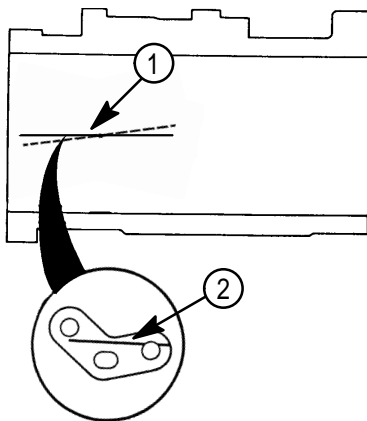
1. Advance engine to W.O.T..
2. Inspect position of throttle shutters: Ensure that shutters are horizontal $\pm 5^\circ$. Adjust throttle shaft link assembly as required. Return engine to idle position.
3. Disconnect towershaft link assembly from towershaft lever.
4. Remove lower crankcase cover bolt (3).
5. Loosen upper crankcase cover bolt (2).
6. Install the towershaft lever stop by positioning the top slot of the stop under the head of the upper bolt (2). Install the bottom bolt (3). Tighten both bolts securely.

7. Install bracket by positioning top slot under head of upper bolt (2). Install bottom bolt (3). Tighten bolts securely.



- 1 - Towershaft Lever Stop
 2 - Crankcase Cover Bolt (Loosen)
 3 - Crankcase Cover Bolt (Remove)

8. Advance engine to W.O.T.. Inspect position of throttle shutters: Ensure that shutters are horizontal $\pm 5^\circ$. Adjust throttle shaft link assembly as required.

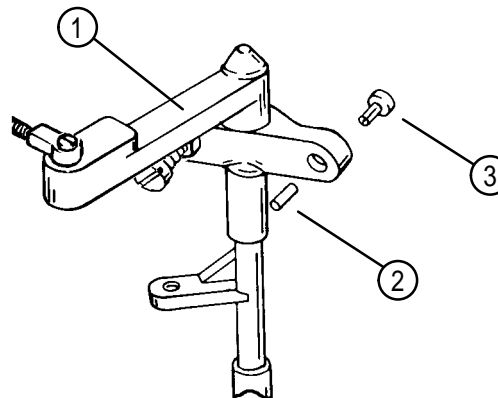


- 1 - Throttle Shutter
 2 - Line on Throttle Shaft

9. Remove rivet stop at top of towershaft.

- Rivet can be drilled out or removed by placing a socket be-

hind rivet and using a punch to drive rivet pin out.



- 1 - Tower Shaft
 2 - Pin, Rivet
 3 - Rivet

10. Check Wide Open Throttle timing as outlined in the 40/50 Service Manual 90-828821.

Warranty

Submit warranty claim listing:

Outboard Serial Number
 One hour (1) labor
 Warranty labor rate code: NJC
 Failure Code: 726 40

International

Follow instructions issued by Marine Power International Office or by your distributor.