

WARRANTY INFORMATION

SERVICE INFORMATION

Bulletin No. 2002-14

PARTS INFORMATION

Circulate to:  Sales Manager  Accounting  Service Manager  Technician  Parts Manager

## Erratic Steering – Excel Models

### Models Affected

All Excel Models

### Situation

If the steering performs erratically, it is possible that the steering bearing cup is not pressed completely into the lower housing base. This condition could manifest itself in two ways:

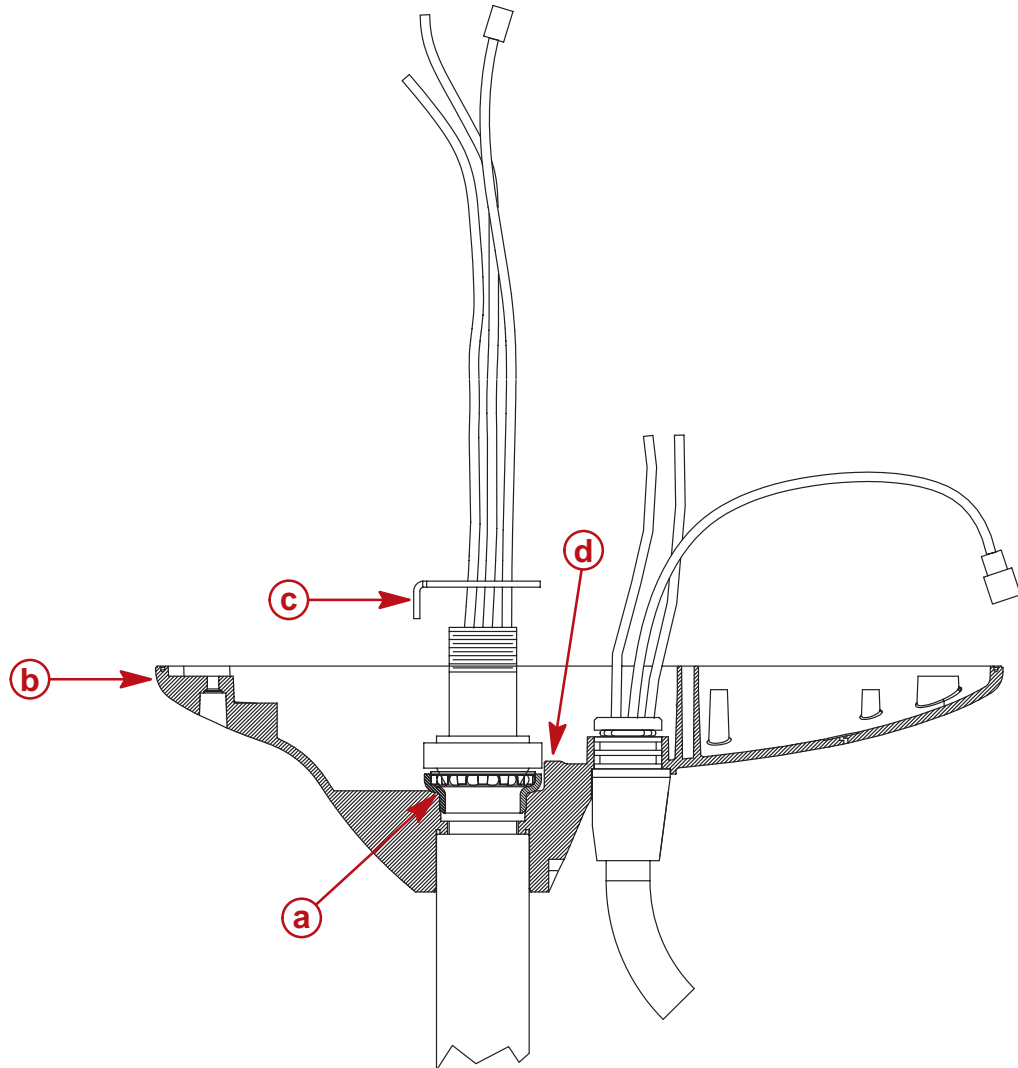
1. The motor may have erratic steering from full left to full right.
2. The motor may steer in only one direction until it reaches the limit of its travel, where it will remain until power is removed from the motor.

THE INFORMATION IN THIS DOCUMENT IS CONFIDENTIAL AND PROTECTED BY COPYRIGHT AND IS THE PROPERTY OF MOTORGUIDE.

This document is provided for the sole and exclusive use of the original recipient as prescribed by MotorGuide and may not be distributed or copied, digitally or otherwise, without the prior written consent of MotorGuide.

## Correction

Check the steering bearing cup in the lower housing. If it is not fully installed, press it into place and also replace the steering positioning pot (P/N 84-M01128). If when the bearing cup is properly installed, the stop washer turns past the mechanical stop, it is also necessary to replace the lower housing.



00177

- a** - Bearing cup
- b** - Lower housing
- c** - Stop washer
- d** - Mechanical steering stop

THE INFORMATION IN THIS DOCUMENT IS CONFIDENTIAL AND PROTECTED BY COPYRIGHT AND IS THE PROPERTY OF MOTORGUIDE.

This document is provided for the sole and exclusive use of the original recipient as prescribed by MotorGuide and may not be distributed or copied, digitally or otherwise, without the prior written consent of MotorGuide.

## Parts Required

Qty. 1	84-M01128	Steering Positioning Pot
Qty. 1	M00935	Lower Housing (if required)

## Warranty

Credit will be issued to the dealer for the cost of parts and labor through August 31, 2005. Submit a warranty claim through your normal warranty processing channel, listing:

- Trolling motor model number and serial number
- Quantity and part number of parts used
- Flat Rate Codes      SB08      0.8 hour  
   SB02      0.2 hour (only if the lower housing is replaced)
- Part Code                832
- Failure Code            01

**USA and Canada** – Tag and hold all old parts until 30 days after credit has been issued or until notified to return them.

**International** – Follow instructions for old parts disposition issued by the Marine Power International office or by your distributor.

THE INFORMATION IN THIS DOCUMENT IS CONFIDENTIAL AND PROTECTED BY COPYRIGHT AND IS THE PROPERTY OF MOTORGUIDE.

This document is provided for the sole and exclusive use of the original recipient as prescribed by MotorGuide and may not be distributed or copied, digitally or otherwise, without the prior written consent of MotorGuide.