

Warranty Information

Service Information

Bulletin No. 2002-22

Parts Information

Circulate to: Sales Manager Accounting Service Manager Technician Parts Manager

Mechanical Steer Foot Pedal (Tour Edition)

Models Affected

Model	Serial Number or Year
Tour Edition Models	2001, 2002, & 2003 MY 9B000294 – 9B164887

Situation

The foot pedal pivot pin may have been installed incorrectly and could cause the steering cable to slip off of the rear pulley.

Inspection

Tour Edition models that are within the affected serial number range should be inspected for a **white** dot as shown. The white dot indicates that the unit has been previously inspected.

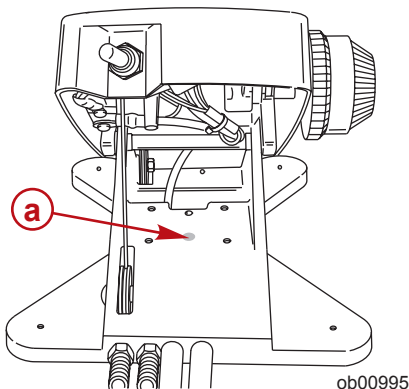


Figure 1

a - White dot

THE INFORMATION IN THIS DOCUMENT IS CONFIDENTIAL AND PROTECTED BY COPYRIGHT AND IS THE PROPERTY OF MERCURY MARINE.

This document is provided for the sole and exclusive use of the original recipient as prescribed by Mercury Marine and may not be distributed or copied, digitally or otherwise, without the prior written consent of Mercury Marine.

If the foot pedal assembly does not have the identifying mark, check the bottom side of the foot pedal. The e-clip securing the pivot pin should be located on the pulley side of the foot pedal. If the e-clip is located on the opposite side, the foot plate may contact the rear pulley which could cause the steering cable to slip off of it.

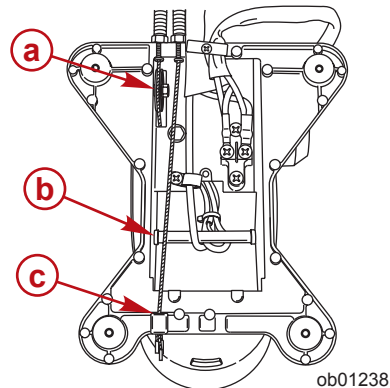


Figure 2

- a** - Front pulley **c** - Rear pulley
b - E-clip (correct position)

Correction

1. If the e-clip is located on the incorrect side, loosen the tension on the steering cables.
2. Remove the e-clip from the pivot pin and push the pin out.
3. Reinstall the pin ensuring that the e-clip end is on the same side as the steering pulleys.
4. Reinstall the e-clip on the pivot pin. Check to ensure that the steering cables are positioned on the pulleys and tighten the tension on the cables for proper operation. See Figure 2, preceding.
5. After the correction has been completed, apply a white paint dot to the foot pedal assembly.

Repair Identification

A **white** paint dot must be applied to the foot pedal after completion of the rework as shown in Figure 1.

Dealer Inventory

All Tour Edition models in stock or customer units in the Service department that fall in the affected serial number range should be inspected and corrected if required.

Parts Required

No parts are required.

Warranty

MotorGuide will credit the dealer for the cost of the labor until Nov. 30, 2006.

If only the inspection of the foot pedal was necessary, complete the warranty claim listing:

- Model number

THE INFORMATION IN THIS DOCUMENT IS CONFIDENTIAL AND PROTECTED BY COPYRIGHT AND IS THE PROPERTY OF MERCURY MARINE.

This document is provided for the sole and exclusive use of the original recipient as prescribed by Mercury Marine and may not be distributed or copied, digitally or otherwise, without the prior written consent of Mercury Marine.

- Serial number
- Labor for Inspection = 0.3 hour
- Warranty Flat Rate Code = SB03
- Part Code = 802
- Failure Code = 03

If the inspection and rework were required, complete the warranty claim listing:

- Model number
- Serial number
- Labor for Inspection and Repair = 0.5 hour
- Warranty Flat Rate Code = SB05
- Part Code = 802
- Failure Code = 03

US & Canada - Complete/process the claim via MercNET or return a warranty claim.

International - Follow instructions issued by Marine Power International office or by an authorized Marine Power Distributor.

THE INFORMATION IN THIS DOCUMENT IS CONFIDENTIAL AND PROTECTED BY COPYRIGHT AND IS THE PROPERTY OF MERCURY MARINE.

This document is provided for the sole and exclusive use of the original recipient as prescribed by Mercury Marine and may not be distributed or copied, digitally or otherwise, without the prior written consent of Mercury Marine.