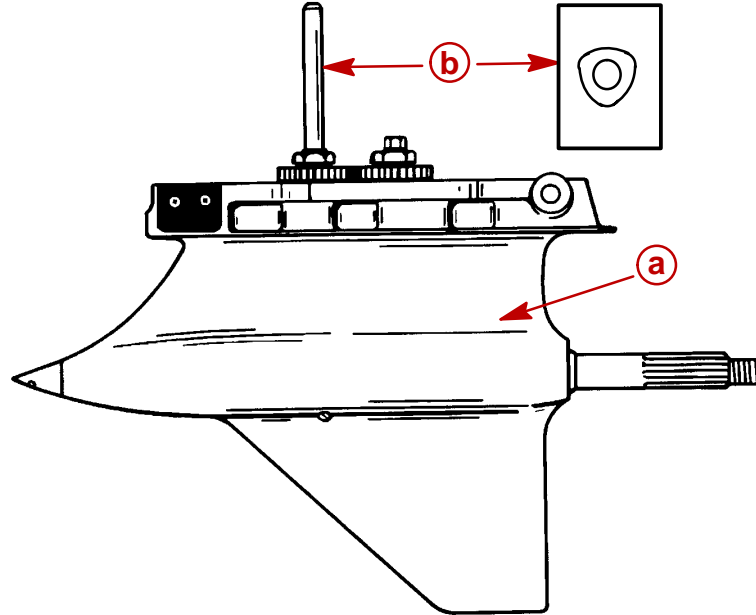


TO: SERVICE MANAGER MECHANICS
 PARTS MANAGER

No. 98-2

MerCruiser V SSM Drive Service Gearcases

Gearcases With Polygon Style Driveshafts Are NLA



- a - MerCruiser V SSM Drive
- b - Polygon Style Drive Shaft (Installed and Top View)

The following chart lists MerCruiser V SSM service gearcase assemblies with polygon shafts that are NLA. Requirements for the polygon gearcase assemblies can be satisfied by ordering a splined shaft gearcase assembly and a splined upper gear set from the charts.

NLA Service Gearcase Assemblies	Order Splined Service Gearcase Assemblies	Ratio
1673-9849A5	1673-9849A12	1:1 LH
1673-9849A6	1673-9849A13	1:1 RH
1673-9849A7	1673-9849A14	1.125:1 LH
1673-9849A8	1673-9849A15	1.125:1 RH

And

Splined Upper Gear Sets	Description
43-818653A1	1:1 Spiral Bevel
43-818654A1	1.18:1 Spiral Bevel
43-818655A1	1.25:1 Spiral Bevel

Splined Upper Gear Sets (cont.)	Description
43-847823A1	1.31:1 Forged Straight Bevel
43-818656A1	1.33:1 Spiral Bevel
43-818657A1	1.40:1 Spiral Bevel
43-847825A1	1.44:1 Forged Straight Bevel
43-848150A1	1.50:1 Forged Straight Bevel