



parts bulletin



No. 95-5

V150 thru V225 GEAR HOUSINGS (NON CURRENTS)

MODEL	SERIAL NUMBER	PARTS MANUAL
Merc 150	S/N-5432022 thru 6042945	90-89150
Merc 150	S/N-6042946 thru 6443212	90-99077
Merc 150	S/N-6443213 thru 6616990	90-44449
Merc/Mariner V150	S/N-6616991 thru A904645	90-13291
Merc 175	S/N-5393737 thru 6618750	90-89175
Merc 200	S/N-5363918 thru 6073191	90-89199
Merc 200	S/N-6073192 thru 6203990	90-99076
Merc 200	S/N-6203991 thru 6435502	90-99078
Merc 200	S/N-6435503 thru 6625220	90-44450
Merc 225	S/N-5628028 & up	90-90673
Mariner 150	S/N-5600162 thru 6038680	90-84705
Mariner 150	S/N-6038681 thru 6443817	90-99946
Mariner 150	S/N-6443818 thru 6616990	90-44534
Mariner 175	S/N-5316381 thru 6618750	90-84652
Mariner 200	S/N-5624878 thru 6055032	90-84720
Mariner 200	S/N-6055033 thru 6201969	90-99947
Mariner 200	S/N-6201970 thru 6435982	90-99984
Mariner 200	S/N-6435983 thru 6625220	90-44535

NOTE: YOU CAN ORDER REPLACEMENT PARTS FROM THE ABOVE LISTED MANUALS IF YOU STILL HAVE A DESIGN I GEAR HOUSING. THE FOLLOWING INFORMATION IS FOR DESIGN II APPLICATION ONLY.

CHANGE

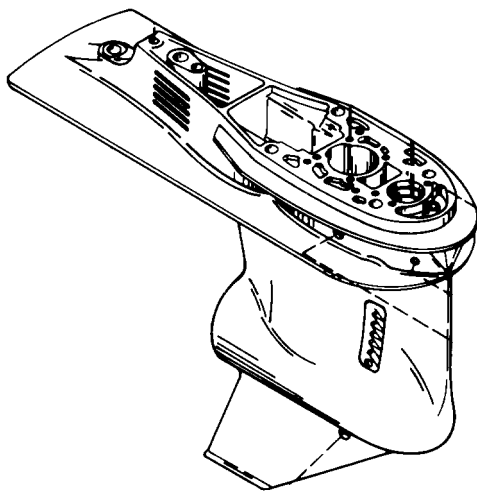
In order to eliminate excessive changeover on the gearcase machining manufacturing line and to reduce cost to the service gearhousing, we have developed a new hybrid gearhousing for replacement.

This change incorporates replacing your water pump base assembly, lubrication sleeve and trim tab with current production parts. This new hybrid gearhousing also incorporates using (2) side mounted anodes. **(DESIGN II)**

In order to insure ordering the correct replacement water pump base assembly, lubrication sleeve, trim tab and anodes, determine if you have the **DESIGN II** gear housing. If you have the **DESIGN II** gear housing order replacement parts listed below.

LUBRICATION SLEEVE	23-98621--1
	23-43998
WATER PUMP BASE ASSY.	46-42579A3
TRIM TAB	31640--5
ANODE	826134
SCREW, anode attaching	10-40003-33
NUT, anode attaching	11-40063--4
ALSO REQUEST INSTRUCTION SHEET 90-808709	

DESIGN I



DESIGN II

