

TO: PARTS MANAGER   
SERVICE MANAGER

REVISED 8-3-92

No. 92-6

## A. 5 IN. (127MM) DIESEL RISER KIT

### Models

MCM/MIE D183/219/254

### Kit Usage

These riser kits are designed to be used when the engine's exhaust elbow doesn't meet the minimum height above waterline specification, Figures 1 and 2. Figure 3 shows the new Diesel Riser Kit.

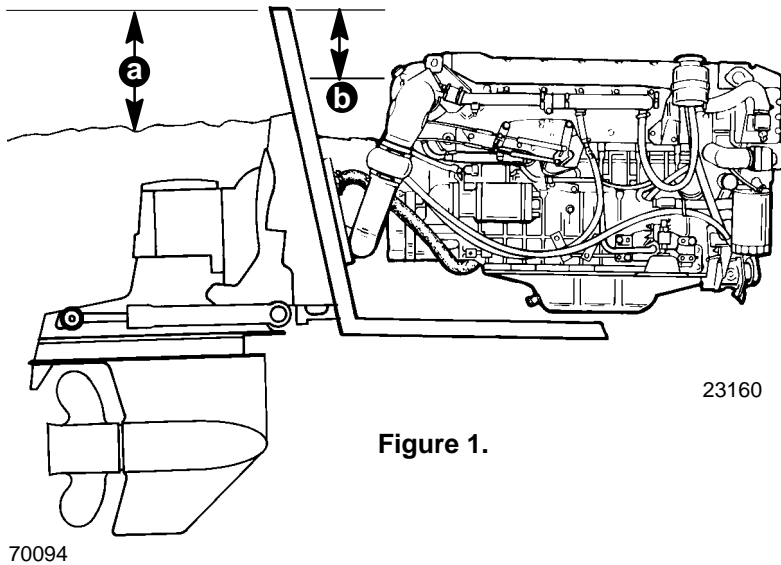


Figure 1.

23160

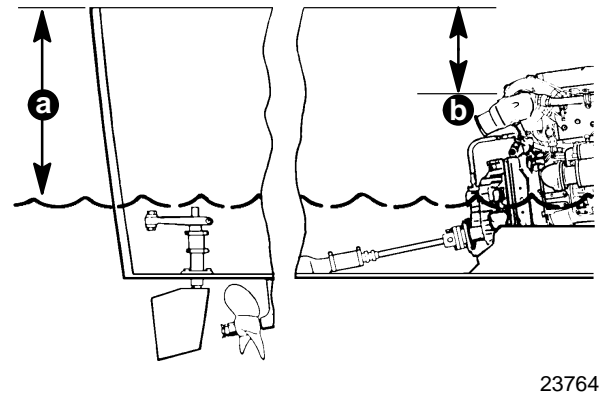
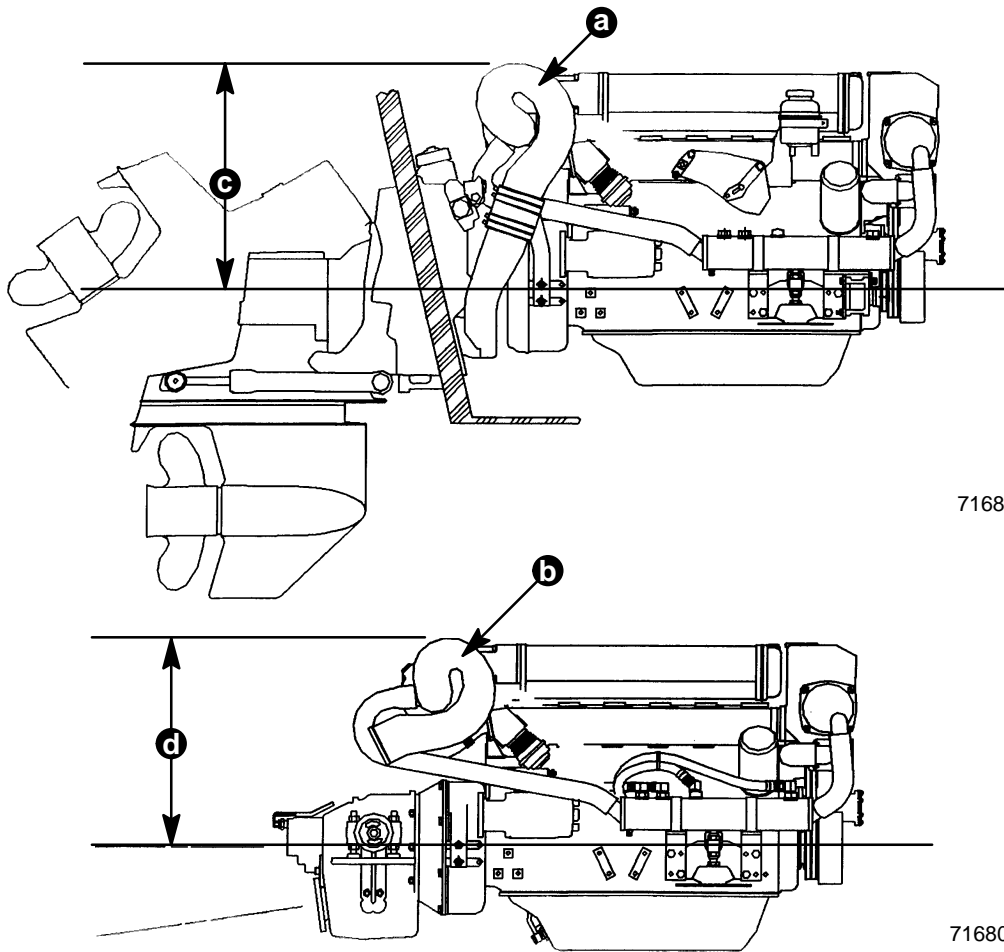


Figure 2.

Model	(a) Minus (b) Must Be This Distance or More
D183	13 in. (330mm)
D219	
D254	

### Height Change

Because of the riser's design, the water entry height will increase 5 in. (127 mm) while increasing the height of the engine (at the exhaust elbow) by a lesser amount. In the chart, A or B shows the height increase above the highest point of the original exhaust elbow. C or D shows the riser's height above the crankshaft centerline.



71681

71680

Model	Stern Drive (a)	Inboard (b)	Stern Drive (c)	Inboard (d)
D183	3-1/8 in. (78 mm)	3-3/4 in. (95 mm)	21-1/8 in. (536 mm)	20-11/16 in. (526 mm)
D219	3-1/8 in. (78 mm)	3-3/4 in. (95 mm)	21-1/8 in. (536 mm)	20-11/16 in. (526 mm)
D254	1-7/8 in. (48 mm)	3-5/8 in. (92 mm)	21-3/16 in. (538 mm)	20-13/16 in. (528 mm)

**Figure 3.**

**Kit Part Numbers**

- (1) 805348A1 5 in. (127mm) Riser Kit
- and
- (1) 805445A3 Installation Kit – MCM D183/219 Stern Drive Engine
- or
- (1) 805445A1 Installation Kit – MCM D254 Stern Drive Engine
- or
- (1) 805445A4 Installation Kit – MIE D183/219 Inboard Engine
- or
- (1) 805445A2 Installation Kit – MIE D254 Inboard Engine