

TO: PARTS MANAGER   
SERVICE MANAGER

**▲ = Revised 11-2-92**

**No. 92-8**

## A. REPLACEMENT PISTONS AND RING SETS

### Model

MCM/MIE 4.3L and 5.7L Engines

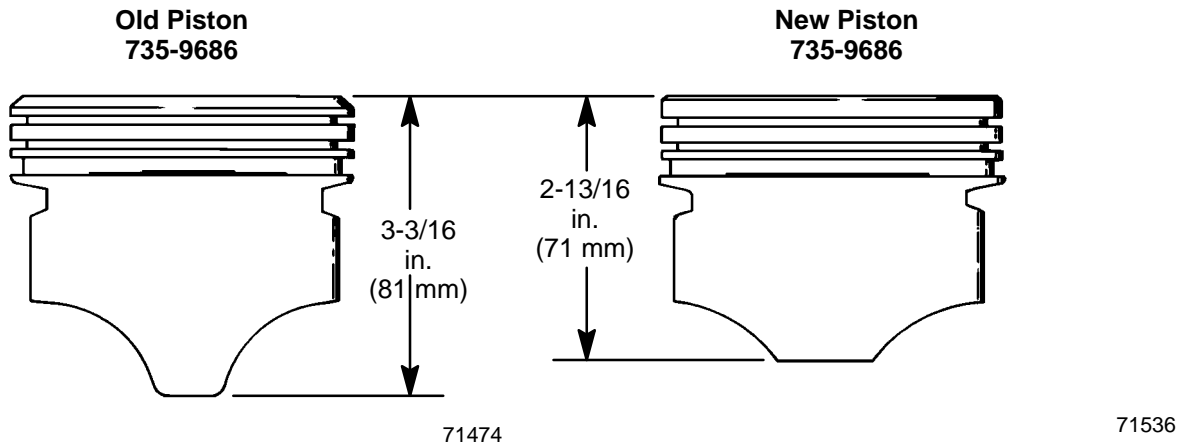
### Change

The latest replacement standard pistons (P/N 735-9686) for these engines use a different set of piston rings. The latest piston's oil ring groove is not as deep as the older piston.

### Replacement Parts

The latest replacement piston will be shipped with a set of piston rings.

If piston rings only are required, refer to the drawings before ordering replacement piston ring sets from the chart.



Model	Old Piston P/N 735-9686 Ring Set	New Piston P/N 735-9686 Ring Set
4.3L	39-17464	39-801861
5.7L	▲ 39-17464	39-801861