

TO: PARTS MANAGER
SERVICE MANAGER

92-2

A. D183/219/530/636 DIESEL ENGINE PARTS INFORMATION

Cylinder Liner O-rings

The O-ring (P/N 25-801331610) listed in the Parts Lists, is incorrect. Please order the following:

25-811893A1 O-ring Kit

Order 1 Kit per cylinder liner.

Follow instructions in Kit for correct O-ring placement.

The Gasket Sets for these engines are also incorrect. Please order the following:

27-822567A1 D183/530

27-822570A1 D219/636

The correct number of O-rings and instructions are included in each set.

Front Mounted Power Take-Off Kit

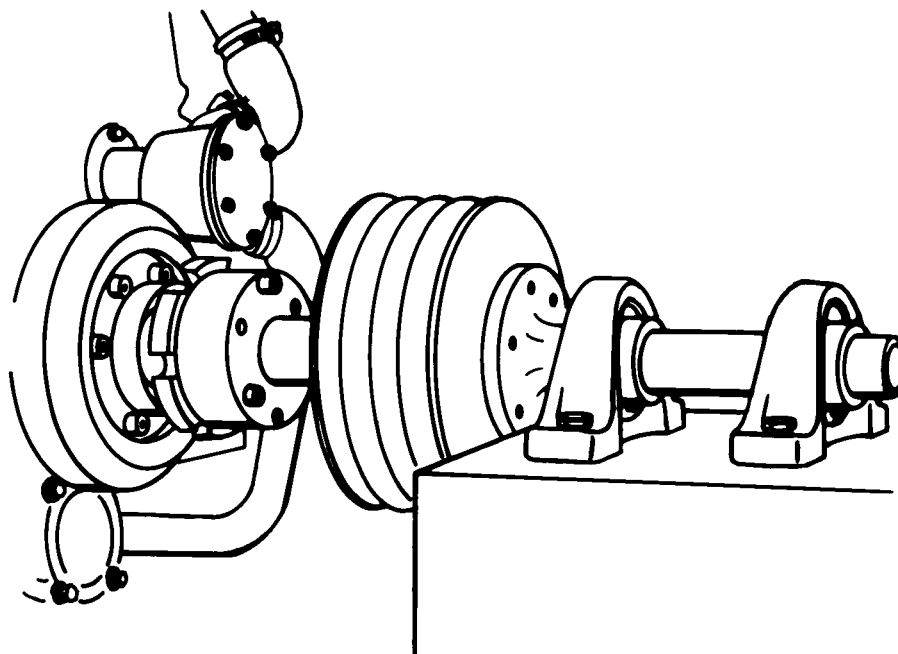
This Kit provides a Power Take-Off (PTO) system which attaches to the crankshaft pulley and provides four V-groove drive belt locations. Installation instructions are included in the Kit.

⚠ CAUTION

DO NOT install on D254 Diesel engines or damage to vibration dampener will occur.

18 H.P.: Maximum Draw

80500A1 PTO Kit



71031