



PARTS CATALOG

2.4L (EFI) BASS/OFFSHORE

SERIAL NUMBER

MERC/MAR 2.4L (EFI) 0A168043 AND BELOW

TABLE OF CONTENTS:

AIR INLET/E.F.I. CONTROL BOX	22
COWLS	2
CRANKSHAFT, PISTONS AND CONNECTING RODS	20
CYLINDER BLOCK AND END CAPS	14
DRIVE SHAFT HOUSING(BASS)	26
DRIVE SHAFT HOUSING(OFFSHORE)	28
EXHAUST MANIFOLD	18
FLYWHEEL, STARTER MOTOR AND IGNITION COILS	4
FUEL INJECTORS	40
FUEL PUMP(BASS)	36
FUEL PUMP(OFFSHORE)	38
GEAR HOUSING (DRIVE SHAFT)	50
GEAR HOUSING (PROPELLER SHAFT)	54
GEAR HOUSING CHART BASS	46
GEAR HOUSING CHART OFFSHORE	47
GEAR HOUSING CHART OFFSHORE(CLE)	48
HYDRAULIC PUMP AND BRACKET (M0041-L19)	60
HYDRAULIC PUMP AND BRACKET(M0045-M19)	64
HYDRAULIC PUMP ASSEMBLY	62
HYDRAULIC PUMP ASSEMBLY (PLASTIC RESERVOIR)	68
MISCELLANEOUS PARTS/ACCESSORIES	1
PARTS INDEX	70
REED BLOCK AND CYLINDER HEAD	16
REV LIMITER	44
STARTER MOTOR ASSEMBLY	6
SWIVEL BRACKET AND STEERING ARM	30
TACHOMETER, TRIM GAUGE AND ALARM HORN	58
THROTTLE LEVER AND SHIFT SHAFT	10
TRANSOM BRACKETS AND TRIM CYLINDER	32
TRIM HARNESS ASSEMBLY	42
WIRING HARNESS, STARTER SOLENOID AND RECTIFIER	8

NOTE: Indented description indicate that these parts are included in preceeding assembly.

AR = As Required

NSS = Not Sold Separate

OPT = Optional

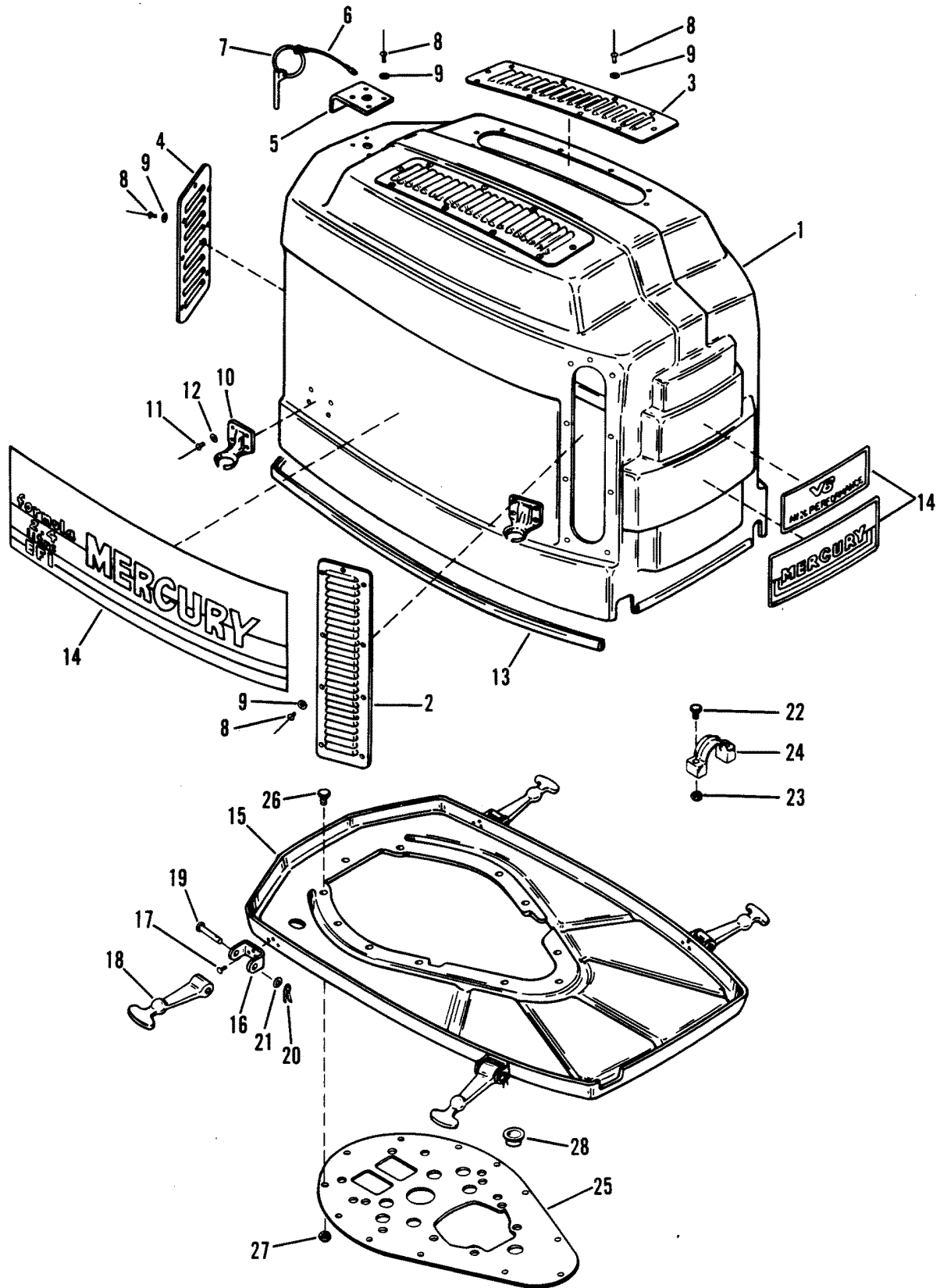
NS = Not Shown

THESE PARTS BOOKS/FICHE CARD ARE COPYRIGHTED AND MAY NOT BE DISTRIBUTED OR REPRODUCED IN ANY OTHER FORMAT BY ANYONE OTHER THAN MERCURY MARINE WITHOUT THE PRIOR WRITTEN CONSENT OF MERCURY MARINE.

MISCELLANEOUS PARTS/ACCESSORIES

REF. NO.	PART NO.	SYM.	QTY.	DESCRIPTION
-	90-14347		0	PARTS MANUEL
-	37-91879A1		0	DECAL SET
-	27-41247A1		0	GASKET SET
-	90-11115		0	OWNER'S GUIDE

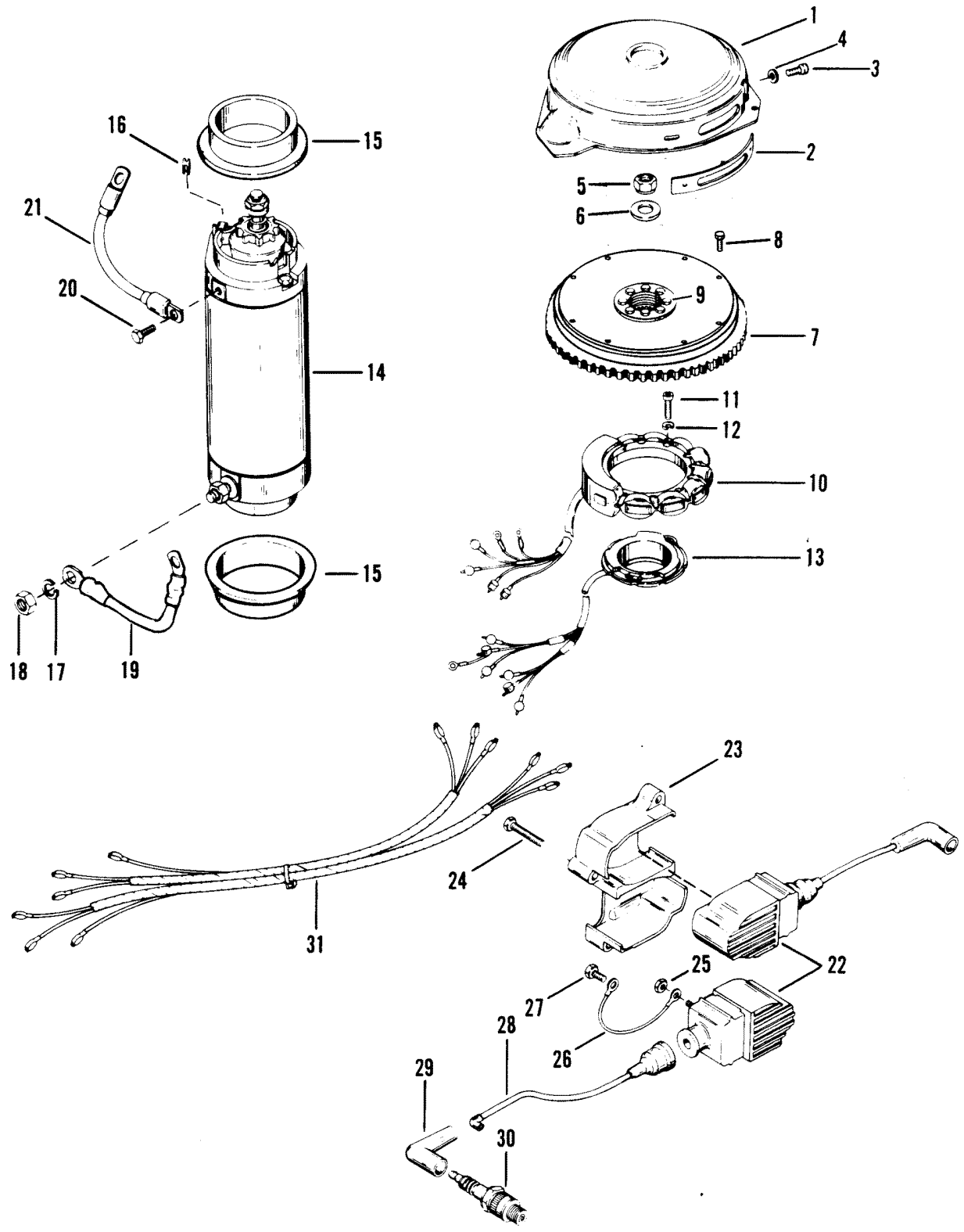
COWLS



COWLS

REF. NO.	PART NO.	SYM.	QTY.	DESCRIPTION
1	2167-6539A15		1	TOP COWL ASSEMBLY
2	78857--1		2	SHIELD, AIR INLET
3	78858--2		2	SHIELD, AIR INLET
4	77376--2		2	SHIELD, AIR INLET
5	99690		1	PLATE, COWL HOLD DOWN
6	84-88807A6		1	CABLE ASSEMBLY (BLACK)
7	99779		1	CLIP
8	17-12147		52	POP RIVET, SHIELD
9	12-57238		52	WASHER, SHIELD RIVET
10	61364		4	RETAINER, COWL HOLD DOWN
11	17-12146		20	POP RIVET, RETAINER
12	12-20128		20	WASHER, RETAINER RIVET
13	58809--6		1	TRIM MOLDING
14	37-91879A1		1	DECAL SET
15	77980A8		1	BOTTOM COWL ASSEMBLY
16	71602		4	YOKE, COWL HOLD DOWN
17	17-57629		12	RIVET, YOKE TO PAN
18	58707		4	HOLD DOWN, COWL (BUNGY CORD)
19	17-58712		4	CLEVIS PIN, HOLD DOWN
20	18-21071		4	COTTER PIN, CLEVIS PIN
21	12-20128		4	WASHER, CLEVIS PIN
22	10-45862		2	SCREW, BRACKET
23	11-20110		2	NUT, BRACKET SCREW
24	88621		1	BRACKET, RETAINER
25	99264		1	PLATE, COWL BASE
26	10-98256		11	SCREW, PLATE TO BOTTOM COWL
27	11-20586		11	NUT, PLATE SCREW
28	19-37630		1	PLUG, SHIFT SHAFT HOLE (LHR)

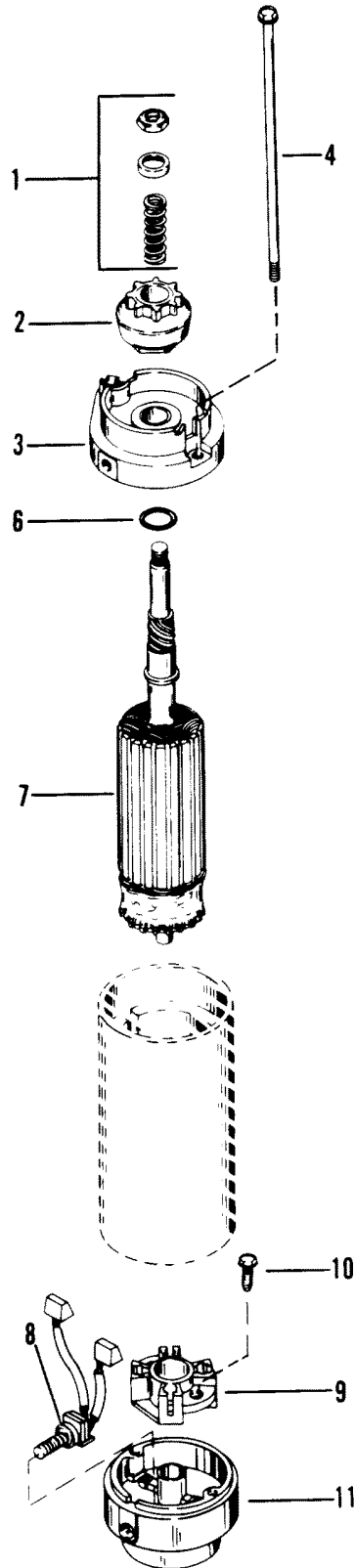
FLYWHEEL, STARTER MOTOR AND IGNITION COILS



FLYWHEEL, STARTER MOTOR AND IGNITION COILS

REF. NO.	PART NO.	SYM.	QTY.	DESCRIPTION
1	79918A1		1	COVER ASSEMBLY, FLYWHEEL
2	79022		1	MARKER, TIMING
3	10-37572		2	SCREW, TIMING MARKER
4	12-72761		2	WASHER, TIMING MARKER SCREW
5	11-52901		1	NUT, FLYWHEEL
6	12-68229		1	WASHER, FLYWHEEL
7	249-6080A5		1	FLYWHEEL ASSEMBLY, COMPLETE
8	10-32417		8	SCREW, FLYWHEEL PLATE
9	10-68997		8	SCREW, FLYWHEEL HUB
10	398-5454A55		1	STATOR ASSEMBLY
11	10-90417		4	SCREW, STATOR
12	13-26996		4	LOCKWASHER, STATOR SCREW
13	96455A9		1	TRIGGER PLATE ASSEMBLY
14	50-44415		1	STARTER MOTOR
15	56703		2	COLLAR, STARTER MOTOR
16	68042		2	STOP, RUBBER - STARTER MOTOR
17	13-26992		1	LOCKWASHER, STARTER MOTOR TERMINAL
18	11-20890		1	NUT, STARTER MOTOR TERMINAL
19	84-93389A5		1	WIRE, SOLENOID TO STARTER MOTOR (YELLOW)
20	10-69035		1	SCREW, CABLE TO STARTER MOTOR
21	84-93388A1		1	WIRE, PLATE TO STARTER MOTOR (BLACK)
22	339-7370A13		6	COIL ASSEMBLY, IGNITION
23	67614		3	COVER, IGNITION COIL
24	10-88447		12	SCREW, IGNITION COIL COVER (1-5/8")
25	11-45076		12	NUT, IGNITION COIL TERMINAL
26	84-88807A6		6	GROUND STRAP, IGNITION COIL (BLACK)
27	10-68513		6	SCREW, GROUND STRAP
28	84-99215A25		6	CABLE, HIGH TENSION
29	85-63709A1		6	PROTECTOR, HIGH TENSION CABLE
30	33-97180		6	SPARK PLUG (NGK-BUHW)
31	84-69738A1		1	HARNESS ASSEMBLY, COIL TO SWITCH BOX (#2, 4 AND 6)
	84-69739A2		1	HARNESS ASSEMBLY, COIL TO SWITCH BOX (#1, 3 AND 5)

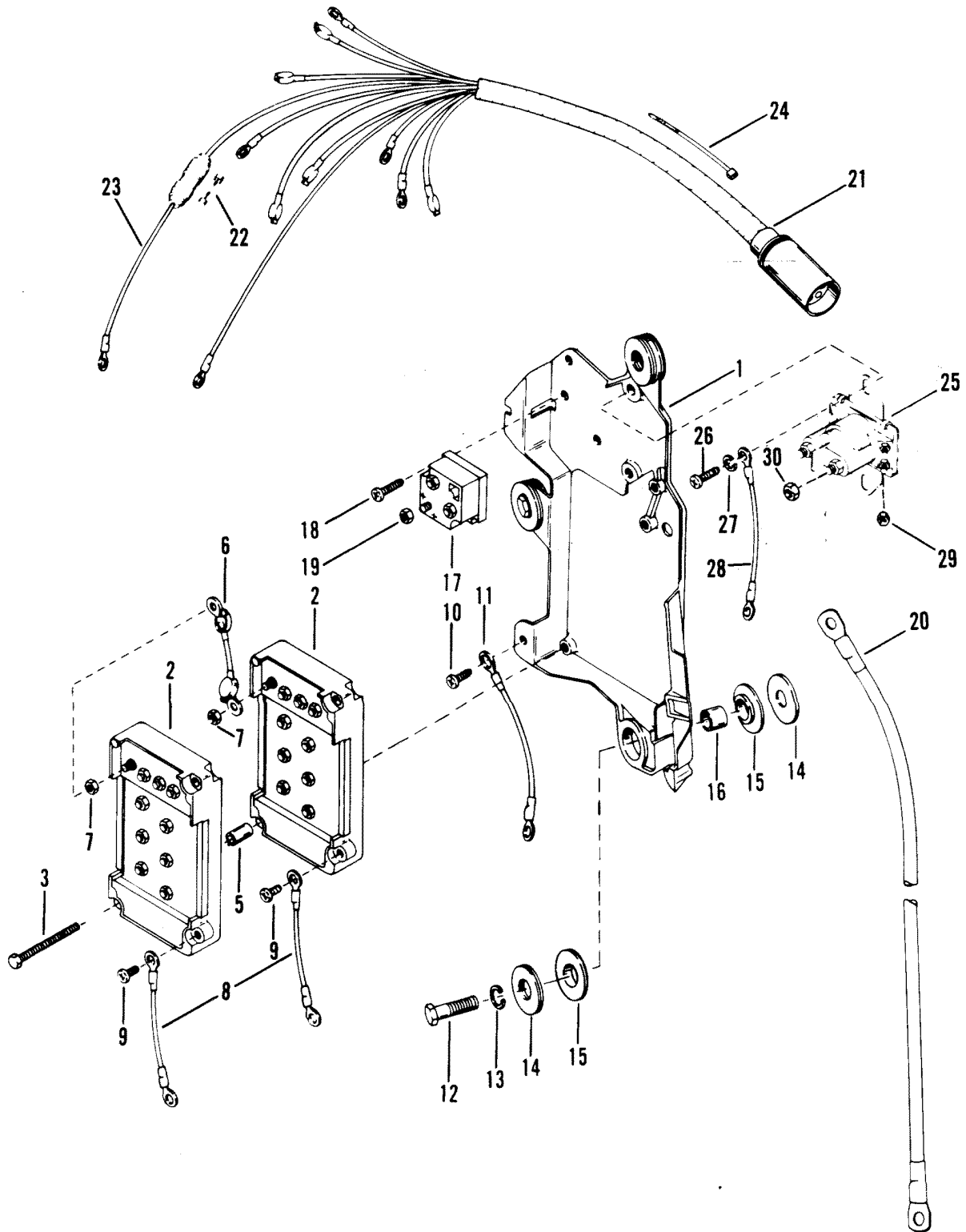
STARTER MOTOR ASSEMBLY



STARTER MOTOR ASSEMBLY

REF. NO.	PART NO.	SYM.	QTY.	DESCRIPTION
-	50-44415		1	STARTER MOTOR ASSEMBLY
1	90645		1	DRIVE KIT
2	75661		1	DRIVE
3	75660		1	PLATE, DRIVE END
4	10-74968		2	BOLT, THRU
6	N.S.S.		1	WASHER, THRU BOLT (AMERICAN BOSCH #WA3122)
7	79216		1	ARMATURE
8	75384		1	BRUSH SET
9	61787		2	HOLDER, BRUSH
10	10-68586		2	SCREW, BRUSH AND HOLDER
11	79215		1	END CAP, COMMUTATOR

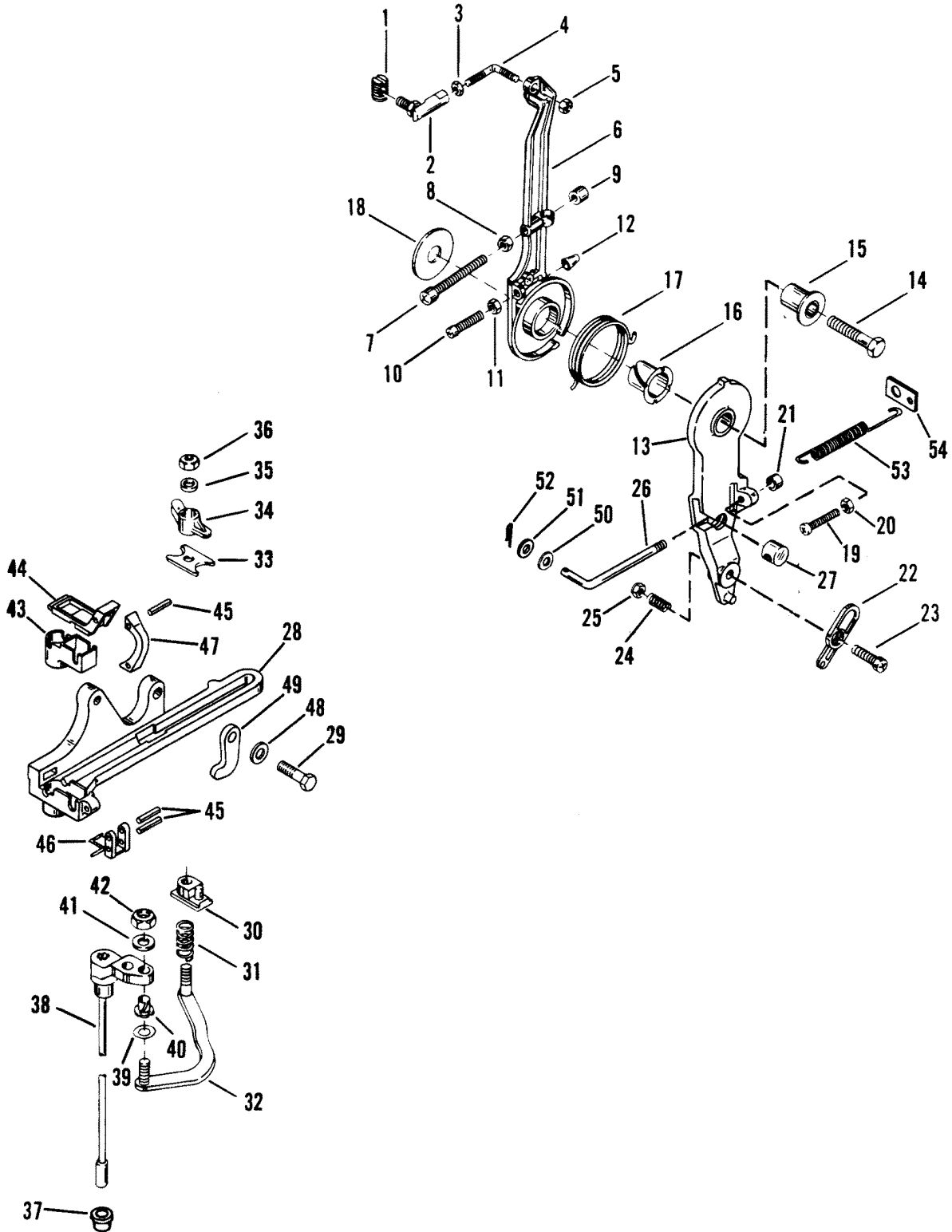
WIRING HARNESS, STARTER SOLENOID AND RECTIFIER



WIRING HARNESS, STARTER SOLENOID AND RECTIFIER

REF. NO.	PART NO.	SYM.	QTY.	DESCRIPTION
1	43429		1	PLATE, IGNITION
2	332-7778A3		2	SWITCH BOX
3	10-12666		2	SCREW, SWITCH BOX TO IGNITION PLATE (2-1/4")
5	23-94453		2	BUSHING, SWITCH BOX SCREW
6	84-62310A2		1	CABLE ASSEMBLY, SWITCH BOX TO SWITCH BOX
7	11-45076		8	NUT, SWITCH BOX TERMINAL
8	84-60871A10		2	WIRE, SWITCH BOX
9	10-62568		2	SCREW, WIRE ATTACHING
10	10-20646		1	SCREW, CABLE TO IGNITION PLATE (5/8")
11	84-65999A3		1	CABLE ASSEMBLY, BLACK
12	10-69092		3	SCREW, IGNITION PLATE (1-1/4")
13	13-26993		3	LOCKWASHER, IGNITION PLATE SCREW
14	12-36042		6	WASHER, IGNITION PLATE SCREW
15	12-67264		6	WASHER, IGNITION PLATE SCREW (RUBBER)
16	23-67268		3	BUSHING, IGNITION PLATE SCREW
17	62351A1		1	RECTIFIER
18	10-20646		2	SCREW, RECTIFIER TO IGNITION PLATE (5/8")
19	11-45076		3	NUT, RECTIFIER TERMINALS
20	84-88439A14		1	BATTERY CABLE, POSITIVE
	84-88439A2		1	BATTERY CABLE, NEGATIVE
21	84-96220A4		1	HARNESS, ENGINE
22	88-79091		1	FUSE
23	84-95084A2		1	WIRE ASSEMBLY, FUSE
24	61990		3	STA-STRAP, HARNESS AND CABLES
25	89-68258		1	STARTER SOLENOID
26	10-20540		2	SCREW, SOLENOID TO IGNITION PLATE (5/8")
27	13-26992		2	LOCKWASHER, SOLENOID TO IGNITION PLATE SCREW
28	84-65999A2		1	CABLE ASSEMBLY, UPPER MOUNT (BLACK)
29	11-45076		2	NUT, SOLENOID TERMINALS
30	11-26484		2	NUT, SOLENOID TERMINALS

THROTTLE LEVER AND SHIFT SHAFT

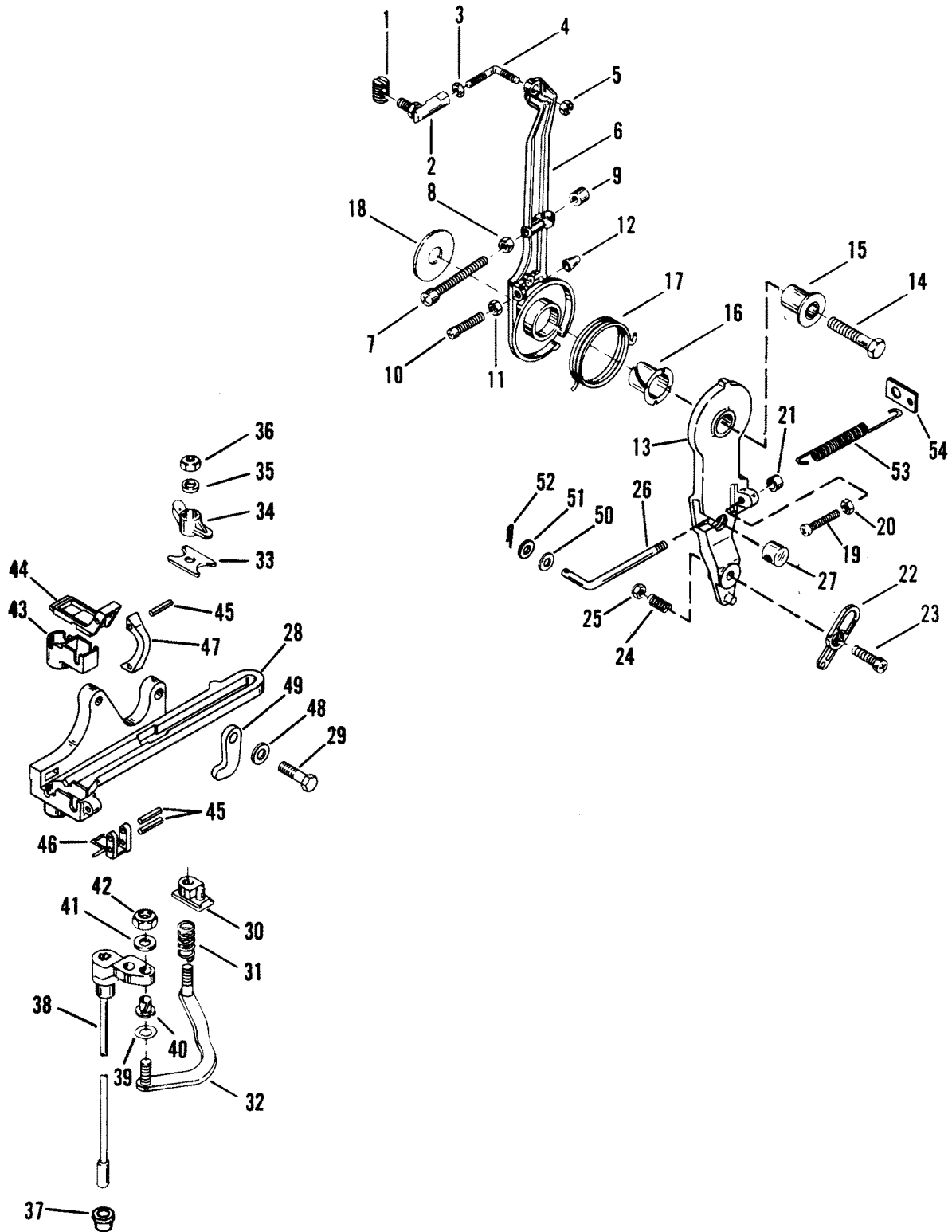


THROTTLE LEVER AND SHIFT SHAFT

REF. NO.	PART NO.	SYM.	QTY.	DESCRIPTION
1	74897		1	PIVOT, TRIGGER PLATE
2	62459		1	BALL JOINT, TRIGGER PLATE
3	11-45076		1	NUT, LINK ROD
4	76035		1	LINK ROD, TRIGGER PLATE
5	11-46438		1	NUT, BALL JOINT
6	41094A3		1	LEVER, SPARK ADVANCE
7	10-64022		1	SCREW, SPARK ADVANCE LEVER - STOP
8	11-64015		1	NUT, SPARK ADVANCE STOP SCREW
9	52023		1	CAP, SPARK ADVANCE LEVER STOP SCREW
10	10-12405		1	SCREW, SPARK ADVANCE LEVER - STOP (1-1/4")
11	11-68219		1	NUT, SPARK ADVANCE LEVER STOP SCREW
12	48039		1	CAP, SPARK ADVANCE LEVER STOP SCREW
13	77837		1	LEVER, THROTTLE CONTROL
14	10-55337		1	SCREW, THROTTLE LEVER/ADVANCE LEVER (1-3/4")
15	23-55164		1	BUSHING, THROTTLE LEVER
16	23-55171		1	BUSHING, SPARK ADVANCE LEVER
17	24-68784		1	SPRING, THROTTLE AND SPARK ADVANCE LEVER
18	12-68410		1	WASHER, SPARK ADVANCE LEVER
19	10-64022		1	SCREW, THROTTLE LEVER - STOP (2-1/8")
20	11-64015		1	NUT, THROTTLE LEVER STOP SCREW
21	52023		1	CAP, THROTTLE LEVER STOP SCREW
22	39483		1	LATCH, CABLE
23	10-22486		1	SCREW, CABLE LATCH TO THROTTLE LEVER
24	24-20099		1	SPRING, CABLE LATCH TO THROTTLE LEVER
25	11-20586		1	NUT, CABLE LATCH SCREW
26	99936		1	ROD, THROTTLE CONTROL
27	60572		1	BARREL, THROTTLE CONTROL ROD
28	77835		1	BRACKET, ANCHOR - CONTROL CABLES
29	10-73657		1	SCREW, ANCHOR BRACKET (1-1/2")
	10-53576		1	SCREW, ANCHOR BRACKET (1-1/8")
	10-76630		1	SCREW, ANCHOR BRACKET (1")
30	37896		1	GUIDE BLOCK, LINK ROD R.H.R.
31	24-20099		1	SPRING, LINK ROD TO GUIDE BLOCK R.H.R.
32	67073A1		1	LINK ROD ASSEMBLY R.H.R.
33	52100		1	WEAR PLATE, LINK ROD R.H.R.
34	38279		1	LATCH R.H.R.
35	12-21631		1	WASHER, LATCH R.H.R.
36	11-20586		1	NUT, LINK ROD R.H.R.
37	23-27132		1	BUSHING, SHIFT SHAFT R.H.R.
38	79932A7		1	SHIFT SHAFT ASSEMBLY (LONG) R.H.R.
	79932A8		1	SHIFT SHAFT ASSEMBLY (EXTRA LONG) R.H.R.
39	13-29720		1	WAVE WASHER, LINK ROD R.H.R.
40	23-26600		1	BUSHING, NYLON - LINK ROD R.H.R.

CONTINUED ON NEXT PAGE ➡

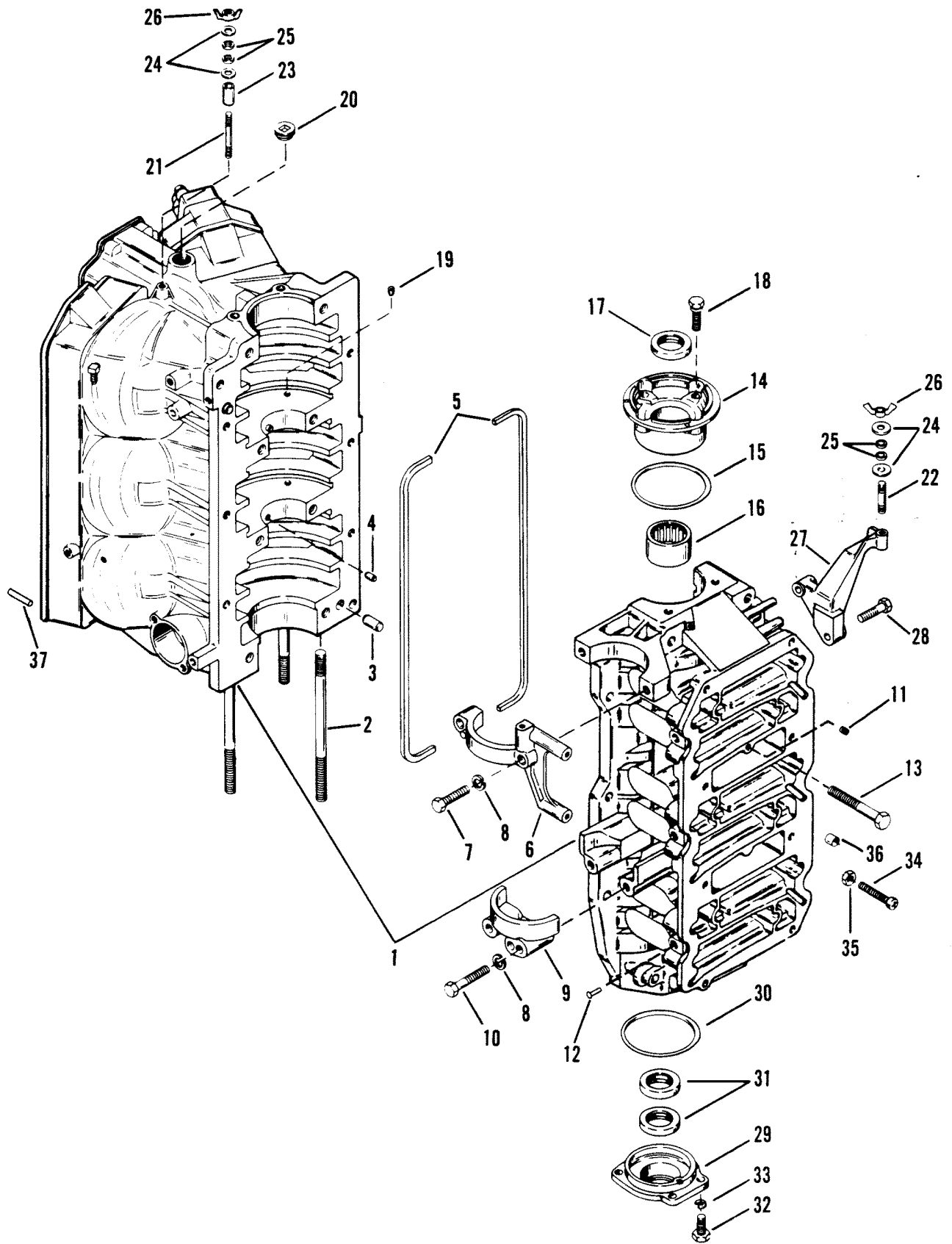
THROTTLE LEVER AND SHIFT SHAFT



THROTTLE LEVER AND SHIFT SHAFT

REF. NO.	PART NO.	SYM.	QTY.	DESCRIPTION
41	12-24664		1	WASHER, LINK ROD R.H.R.
42	11-20586		1	NUT, LINK ROD TO SHIFT SHAFT R.H.R.
43	77834		1	CAP, BARREL RETAINER - ANCHOR BAR
44	77833		1	LEVER, NYLON - SHIFT CABLE LOCKING
45	17-47175		3	LOCATING PIN, LEVER AND COVER FASTENING
46	77832		1	COVER, NYLON - SHIFT CABLE
47	65799		1	LINK, LOCKING LEVER TO COVER
48	12-22753		2	WASHER, ANCHOR BRACKET SCREW
49	54-54457		1	"J" CLIP, ANCHOR BRACKET SCREW
50	13-29720		1	WAVE WASHER, THROTTLE CONTROL ROD
51	12-29245		1	WASHER, THROTTLE CONTROL ROD
52	18-21071		1	COTTER PIN, THROTTLE CONTROL ROD
53	24-91821		1	SPRING, THROTTLE RETURN
54	54-75275		1	CLAMP, THROTTLE RETURN SPRING

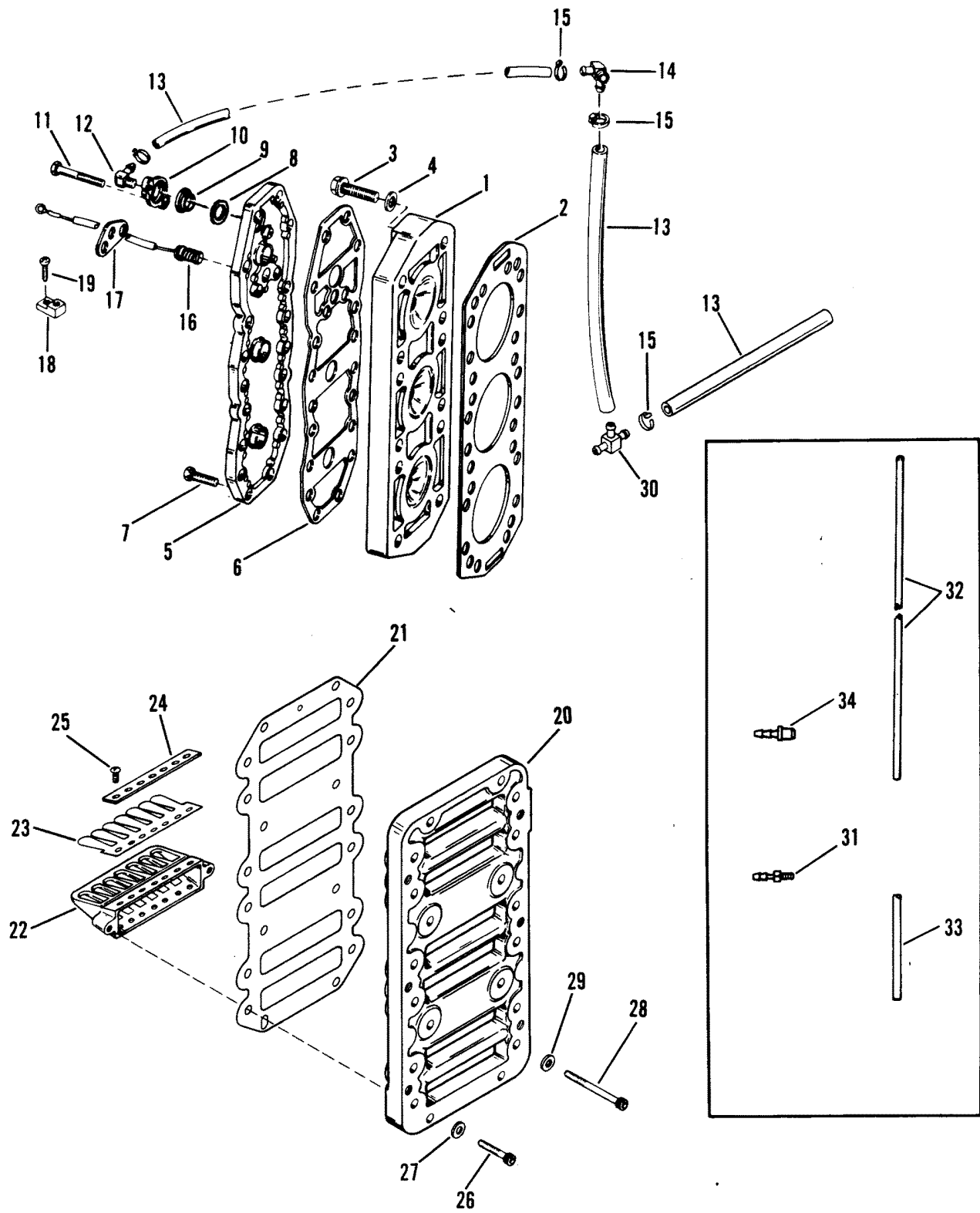
CYLINDER BLOCK AND END CAPS



CYLINDER BLOCK AND END CAPS

REF. NO.	PART NO.	SYM.	QTY.	DESCRIPTION
1	858-8674A3		1	CYLINDER BLOCK & CRANKCASE ASSEMBLY
2	16-96908		4	STUD, POWERHEAD (2-1/8")
	16-96909		2	STUD, POWERHEAD (7")
	16-96910		2	STUD, POWERHEAD (5-3/4")
	16-97008		2	STUD, POWERHEAD (2")
3	17-20033		2	DOWEL PIN, LOCATING
4	17-67296		2	DOWEL PIN, CYLINDER BLOCK (BEARING RACE)
5	27-11338		2	GASKET, SEALING
6	42249		1	COVER, STARTER MOTOR (UPPER)
7	10-73657		2	SCREW, COVER TO CRANKCASE (1-1/2")
8	13-26993		4	LOCKWASHER, STARTER MOTOR COVER SCREW
9	76867		1	COVER, STARTER MOTOR (LOWER)
10	10-77065		2	SCREW, COVER TO CRANKCASE (2")
11	21-42657A1		3	CHECK VALVE ASSEMBLY
12	17-99317		6	RIVET, CRANKCASE
13	10-66717		8	SCREW, CRANKCASE TO CYLINDER BLOCK (3-1/4")
	10-53016		6	SCREW, CRANKCASE TO CYLINDER BLOCK (1-1/4")
14	1159-8454A2		1	END CAP ASSEMBLY, UPPER
15	25-54029		1	"O" RING, END CAP
16	31-93496		1	ROLLER BEARING, END CAP
17	26-41953		1	OIL SEAL, END CAP
18	10-69034		4	SCREW, UPPER END CAP TO CYLINDER BLOCK (1")
19	10-24220		2	SCREW, SET - CYLINDER BLOCK (3/16")
20	22-38407		1	PLUG, CYLINDER BLOCK (WATER JACKET)
21	16-79651		1	STUD, FLYWHEEL COVER TO CYLINDER BLOCK (1-7/8")
22	16-66969		2	STUD, FLYWHEEL COVER TO BRACKET (1")
23	23-67269		1	SPACER, FLYWHEEL COVER STUD
24	12-49221--1		6	WASHER, FLYWHEEL COVER STUD
25	12-22887		6	WASHER, FLYWHEEL COVER STUD
26	11-73651		3	NUT, FLYWHEEL COVER STUD
27	99294		1	BRACKET, FLYWHEEL COVER
28	10-76630		2	SCREW, BRACKET TO CRANKCASE
29	1156-7809A1		1	END CAP ASSEMBLY, LOWER
30	25-62700		1	"O" RING, END CAP (3'1/4" I.D.)
31	26-41953		2	OIL SEAL, END CAP
32	10-28636		4	SCREW, LOWER END CAP TO CYLINDER BLOCK (3/4")
33	13-26992		4	LOCKWASHER, LOWER END CAP SCREW
34	10-64022		1	SCREW, ADJUSTING - CYLINDER BLOCK
35	11-64015		1	NUT, JAM - ADJUSTING SCREW
36	52023		1	CAP, NYLON - ADJUSTING SCREW
37	32-11635		2	TUBE, WATER BLOCKOFF

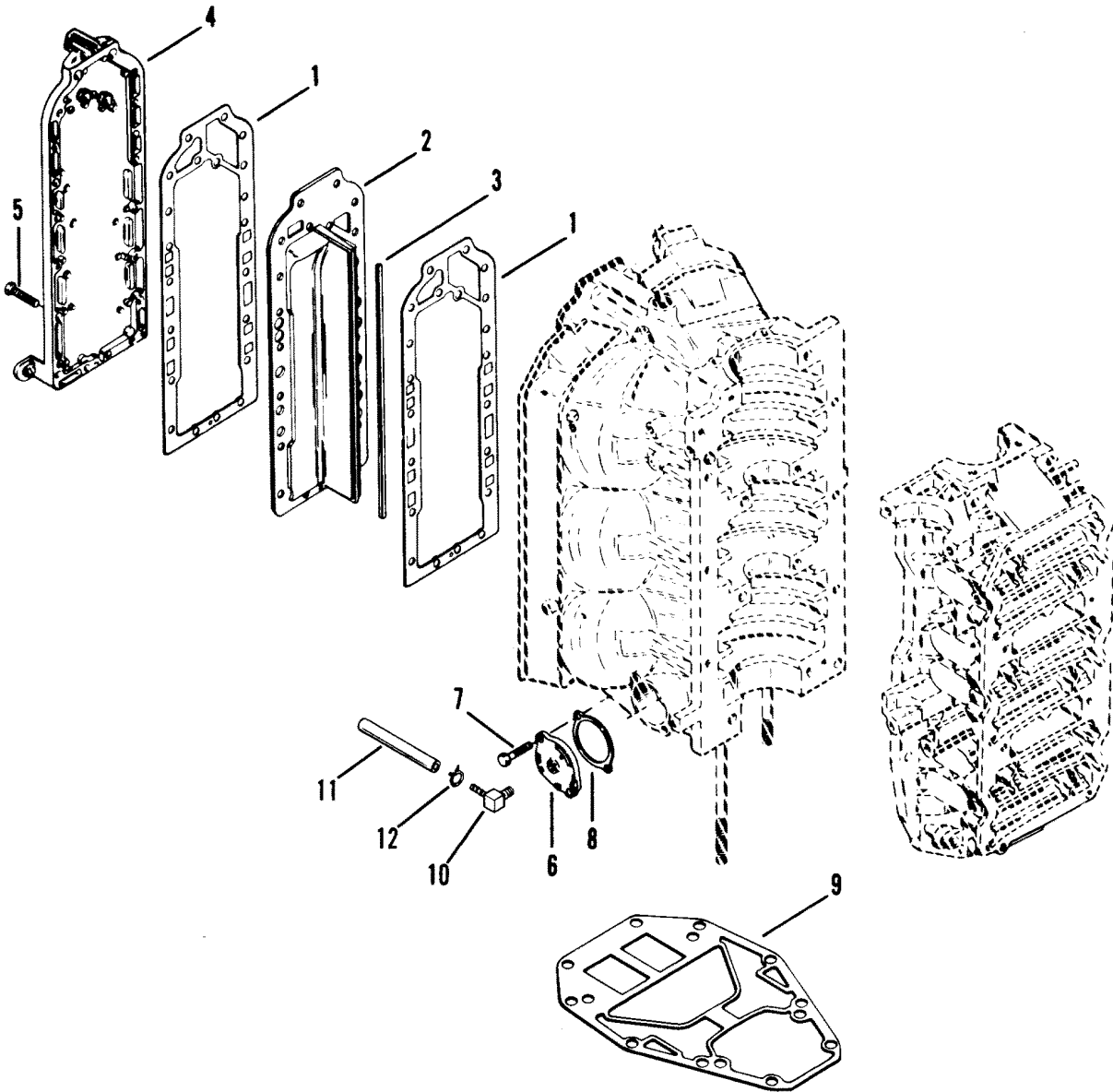
REED BLOCK AND CYLINDER HEAD



REED BLOCK AND CYLINDER HEAD

REF. NO.	PART NO.	SYM.	QTY.	DESCRIPTION
1	96532		2	CYLINDER HEAD
2	27-41246		2	GASKET, CYLINDER HEAD
3	10-98534		24	SCREW, CYLINDER HEAD (2")
4	12-25909		24	WASHER, CYLINDER HEAD SCREW
5	96283		2	COVER, CYLINDER
6	27-96278		2	GASKET, CYLINDER COVER
7	10-74824		40	SCREW, CYLINDER COVER TO CYLINDER HEAD (1-1/4")
8	12-47533		2	WASHER, SUBSTITUTE FOR THERMOSTAT
9	27-62386		2	GASKET, THERMOSTAT
10	90390A1		2	COVER, THERMOSTAT
11	10-77065		2	SCREW, THERMOSTAT COVER (2")
12	22-68727		1	FITTING, ELBOW-WATER HOSES
13	32-77653-77		3	HOSE, WATER DISTRIBUTION
14	22-68728		1	FITTING, THERMOSTAT COVER TO WATER HOSES
15	61990		AR	STA-STRAP, WATER HOSES
16	97465		1	TEMPERATURE SENDER
17	96282		1	COVER, TEMPERATURE SENDER
18	45915		1	TERMINAL BLOCK
19	10-69079		2	SCREW, TERMINAL BLOCK TO CYLINDER BLOCK
20	98709--2		1	PLATE, REED BLOCK MOUNTING
21	27-78298		1	GASKET, REED BLOCK HOUSING
22	98711		6	REED BLOCK
23	34-93228A1		6	REED ASSEMBLY
24	90391		12	REED CLAMP
25	10-99272		84	SCREW, REEDS TO REED BLOCK
26	10-99304		12	SCREW, REED BLOCK ATTACHING
27	12-20028		12	WASHER, REED BLOCK SCREW
28	10-60147		4	SCREW, PLATE TO CRANKCASE
29	12-21249		4	WASHER, PLATE SCREW
30	22-90824		1	TEE, WATER HOSE
31	22-56759		4	FITTING, BLEED HOSE (PRESS IN)
32	32-99130122		1	HOSE, BLEED
33	32-66285--4		1	HOSE, PULSE
34	21-42623		1	CHECK VALVE, BLEED HOSE (PRESS-IN-11/16"LONG)
35	21-42658		1	CHECK VALVE, BOTTOM
36	22-94090		1	ELBOW, BLEED HOSE
37	22-59169		2	TEE FITTING, BLEED HOSE

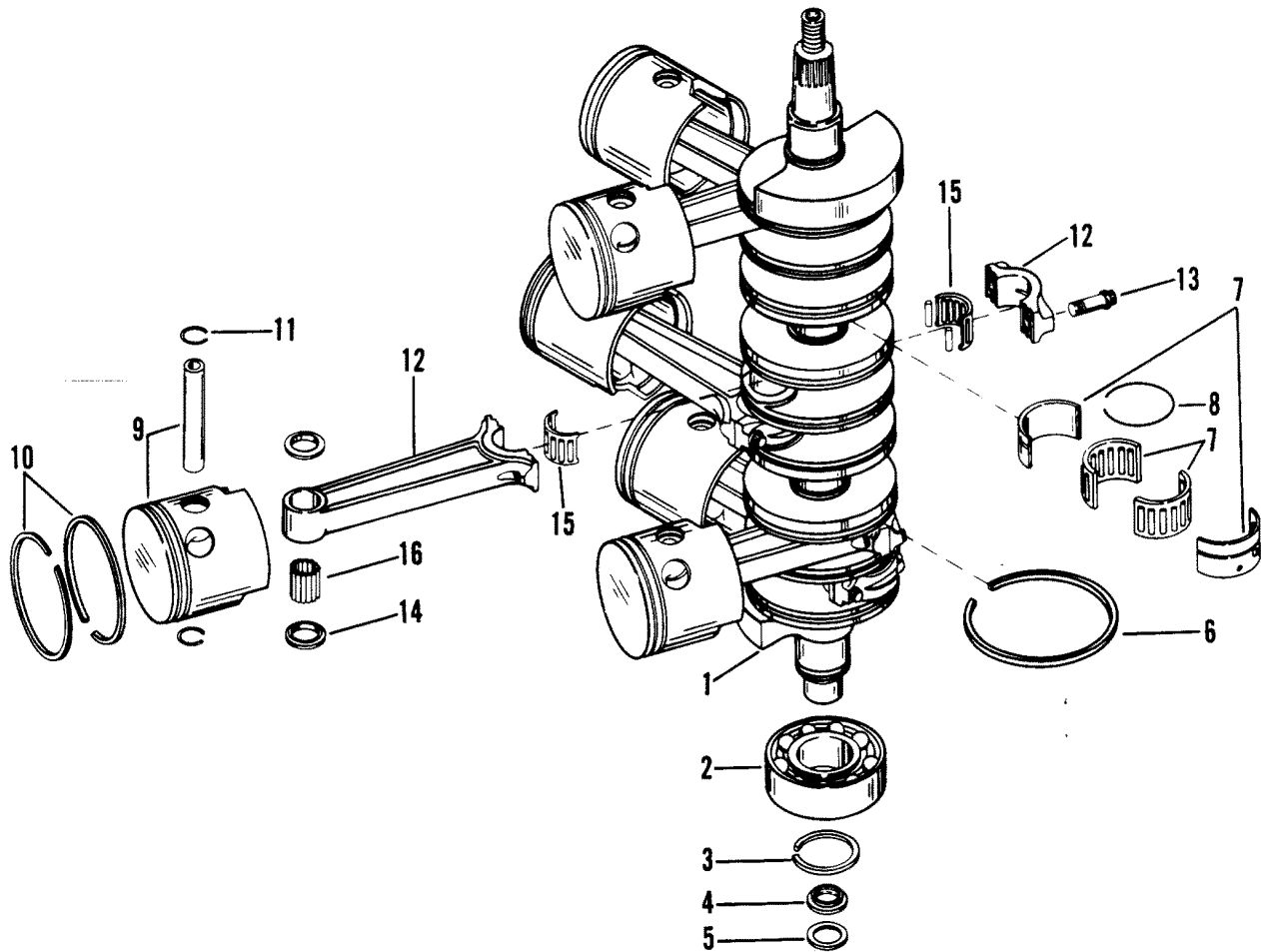
EXHAUST MANIFOLD



EXHAUST MANIFOLD

REF. NO.	PART NO.	SYM.	QTY.	DESCRIPTION
1	27-90484		2	GASKET, DIVIDER PLATE
2	99169		1	PLATE, DIVIDER
3	69668		1	SEAL, DIVIDER PLATE
4	95067		1	COVER, EXHAUST MANIFOLD
5	10-74824		21	SCREW, COVER AND PLATE TO CYLINDER BLOCK (1-1/4")
6	99193		1	COVER, RELIEF VALVE
7	10-37562		2	SCREW, COVER TO CYLINDER BLOCK (1")
8	27-88907		1	GASKET, RELIEF VALVE PLATE
9	27-99176		1	GASKET, EXHAUST PLATE
10	22-68727		1	FITTING, WATER OUTLET
11	32-49471		1	WATER HOSE
12	54-68424		1	CLAMP, WATER HOSE

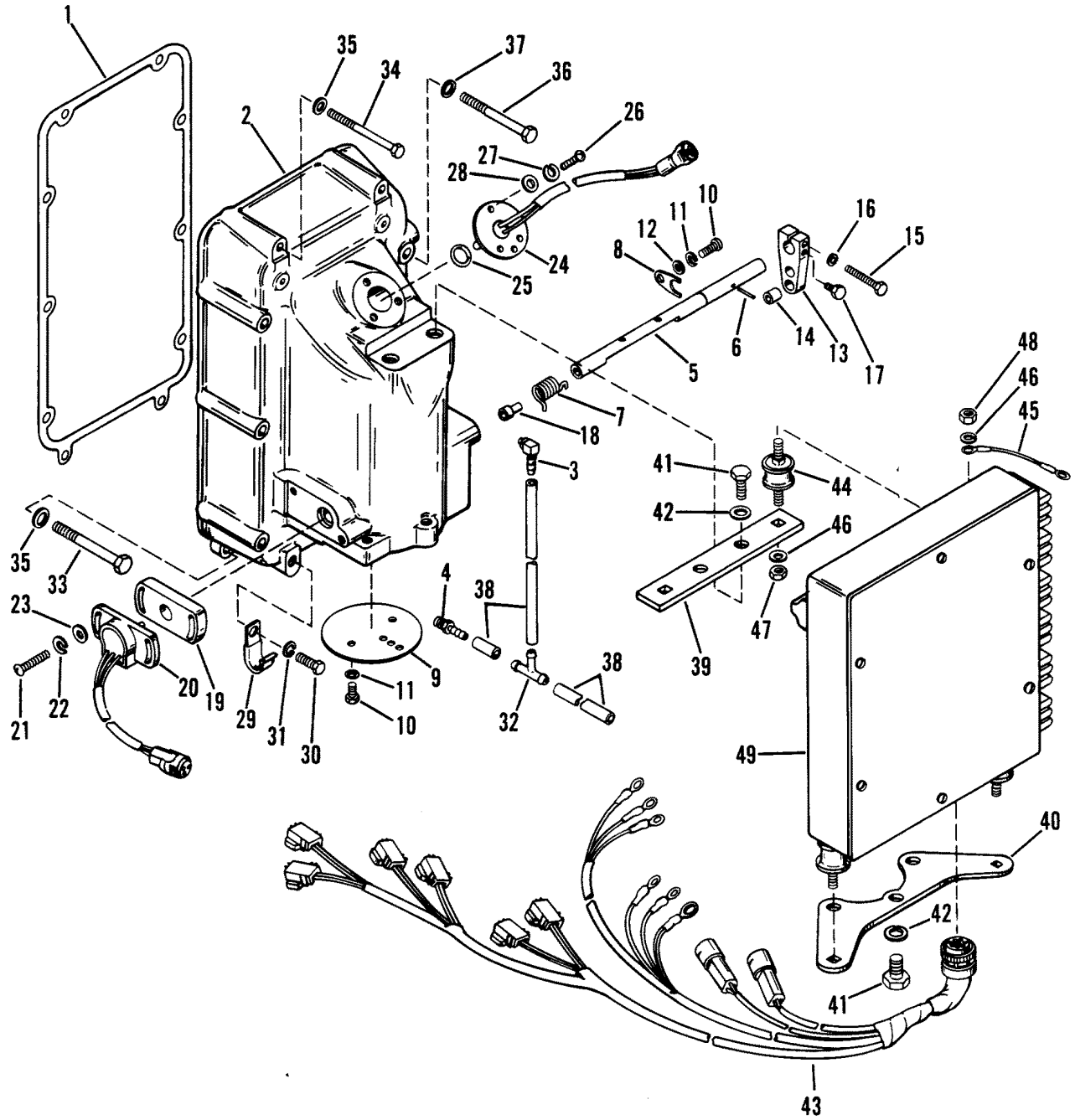
CRANKSHAFT, PISTONS AND CONNECTING RODS



CRANKSHAFT, PISTONS AND CONNECTING RODS

REF. NO.	PART NO.	SYM.	QTY.	DESCRIPTION
1	455-7666A4		1	CRANKSHAFT ASSEMBLY
2	30-41421		1	BALL BEARING, CRANKSHAFT (LOWER)
3	53-67446		1	RETAINING RING, BALL BEARING
4	54196A6		1	CARRIER ASSEMBLY, SEAL
5	65800		1	SEAL, CARRIER
6	39-67377		8	RING, SEALING-CRANKSHAFT (.124 THICK)
7	31-93495		2	ROLLER BEARING, CRANKSHAFT
8	53-67444		2	RETAINING RING, ROLLER BEARING
9	766-8666A10		3	PISTON ASSEMBLY (STARBOARD)
	766-8667A10		3	PISTON ASSEMBLY (PORT)
10	39-44395A12		1	PISTON RING ASSEMBLY
11	40-52035		12	LOCK RING, PISTON
12	636-8119A3		6	CONNECTING ROD ASSEMBLY
13	10-93886		12	SCREW, CONNECTING ROD
14	12-47247		12	WASHER, NEEDLE LOCATING
15	31-67526A1		6	ROLLER BEARING ASSEMBLY, CRANKSHAFT END
16	29-67483		174	NEEDLE BEARING, PISTON END

AIR INLET/E.F.I. CONTROL BOX

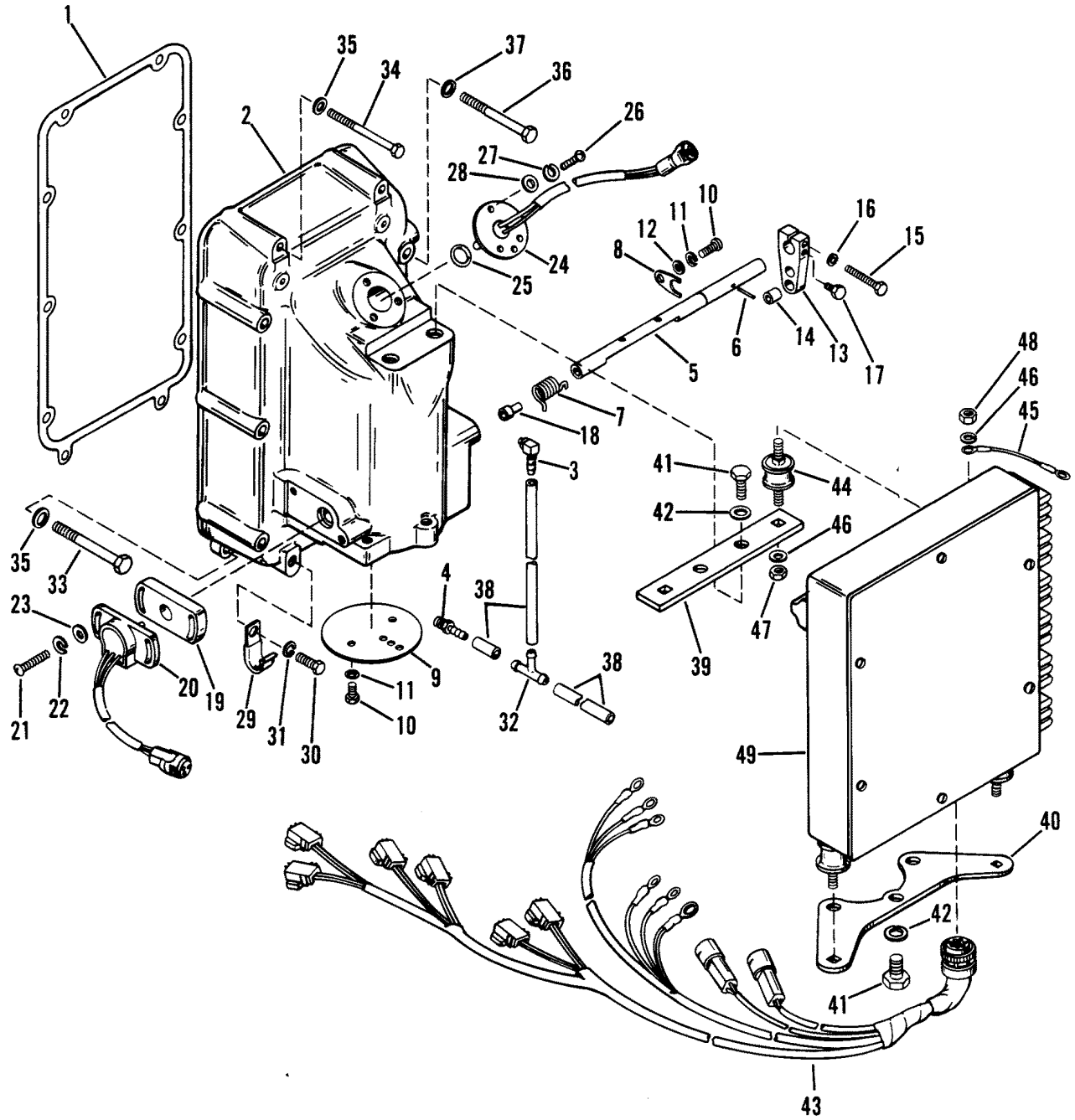


AIR INLET/E.F.I. CONTROL BOX

REF. NO.	PART NO.	SYM.	QTY.	DESCRIPTION
1	27-99316		1	GASKET, AIR INLET
2	98722A3		1	AIR INLET ASSEMBLY
3	22-71191		3	ELBOW
4	21-42623		1	CHECK VALVE
5	98712A4		1	THROTTLE SHAFT ASSEMBLY
6	17-24800		2	ROLL PIN, THROTTLE SHAFT
7	24-98894		1	SPRING, THROTTLE
8	98810		1	CLAMP, SHUTTER SHAFT RETAINING
9	98715--4		1	THROTTLE SHUTTER
10	10-20055		3	SCREW, THROTTLE SHUTTER AND CLAMP
11	13-26996		3	LOCKWASHER, THROTTLE SHUTTER SCREW
12	12-24676		1	WASHER, THROTTLE CLAMP SCREW
13	99666A1		1	THROTTLE LEVER ASSMEBLY
14	23-12245		1	BUSHING, THROTTLE LEVER
15	10-41089		1	SCREW, THROTTLE LEVER TO SHAFT
16	13-26995		1	LOCKWASHER, THROTTLE LEVER SCREW
17	10-41355		1	SCREW, SET-THROTTLE LEVER
18	11200		1	ADAPTOR SHAFT
19	11198		1	ADAPTOR
20	11199A2		1	THROTTLE POSITION INDICATOR
21	10-52034		2	SCREW, INDICATOR RETAINING
22	13-26996		2	LOCKWASHER, INDICATOR SCREW
23	12-21273		2	WASHER, INDICATOR SCREW
24	96718A1		1	TEMPERATURE SENSOR ASSEMBLY
25	25-45711		1	O RING, TEMPERATURE SENSOR
26	10-57583		3	SCREW, TEMPERATURE SENSOR
27	13-26995		3	LOCKWASHER, TEMPERATURE SENSOR SCREW
28	12-20670		3	WASHER, TEMPERATURE SENSOR SCREW
29	54-54457		2	"J" CLIP, INJECTOR HARNESS SUPPORT
30	10-28635		2	SCREW, "J" CLIP
31	13-26992		2	LOCKWASHER, "J" CLIP SCREW
32	22-59169		1	TEE FITTING
33	10-70732		2	SCREW, INLET TO ADAPTOR (2")-BOTTOM
34	10-99305		2	SCREW, INLET TO ADAPTOR (3-1/2")-TOP
35	12-29245		4	WASHER, INLET SCREWS (1/4")
36	10-74191		6	SCREW, INLET TO ADAPTOR(5/16" X 3-1/4")
37	12-22753		6	WASHER, INLET SCREW
38	32-66285--4		1	HOSE, FUEL
39	99217		1	TOP MOUNT, E.F.I. BOX
40	99216		1	BOTTOM MOUNT, E.F.I. BOX
41	10-35386		5	SCREW, MOUNT TO INLET
42	13-26993		5	LOCKWASHER, MOUNT SCREW
43	84-98866A1		1	HARNESS ASSEMBLY, E.F.I.

CONTINUED ON NEXT PAGE ➡

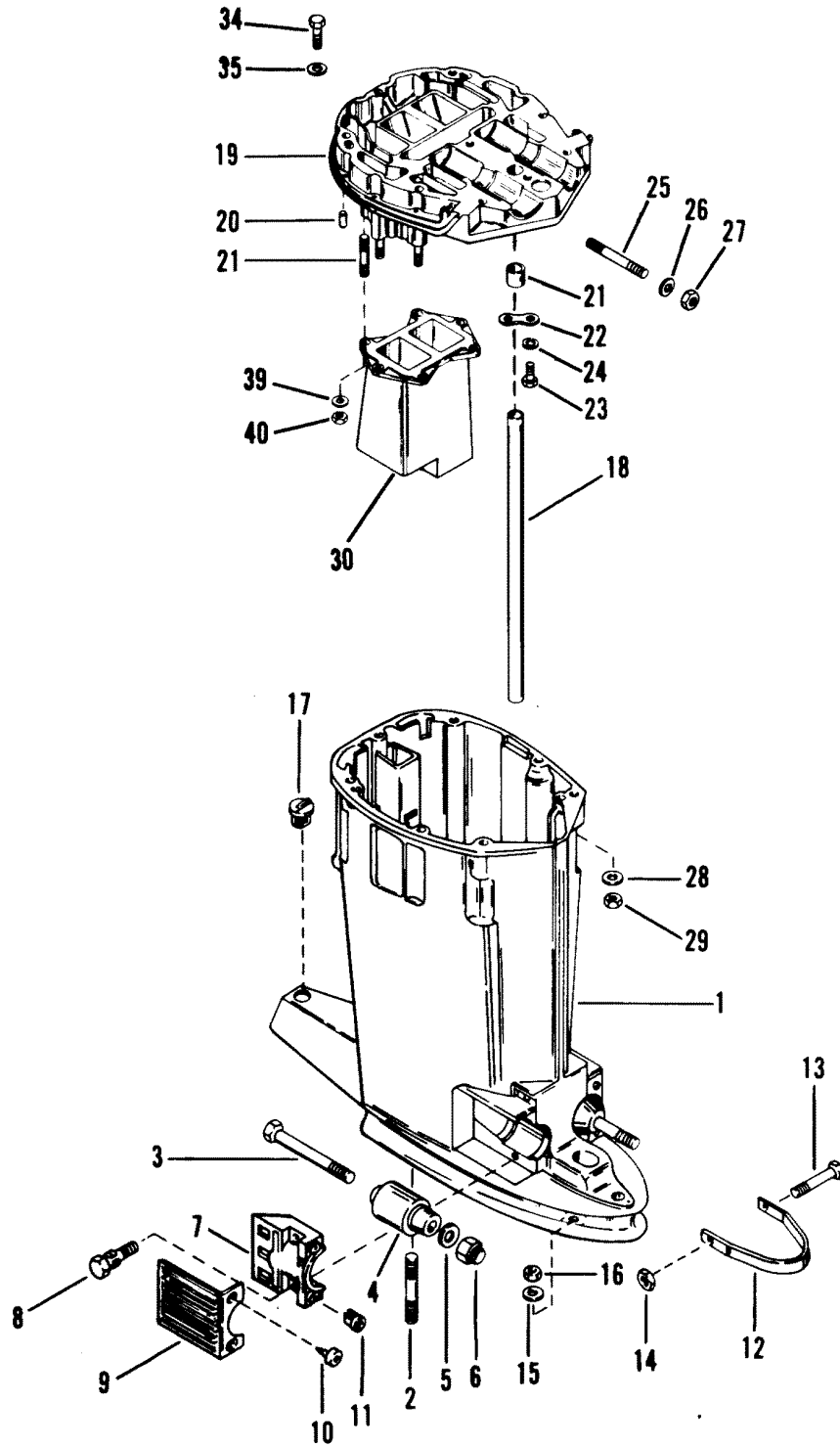
AIR INLET/E.F.I. CONTROL BOX



AIR INLET/E.F.I. CONTROL BOX

REF. NO.	PART NO.	SYM.	QTY.	DESCRIPTION
44	57927		2	MOUNT, RUBBER-E.F.I. BOX
45	84-65999A10		2	CABLE ASSEMBLY (BLACK)
46	12-29245		6	WASHER, RUBBER MOUNT
47	11-20586		2	NUT, RUBBER MOUNT (BOTTOM) (FULL)
48	11-20361		4	NUT, RUBBER MOUNT (UPPER) (THIN)
49	99312A2		1	I. CONTROL BOX

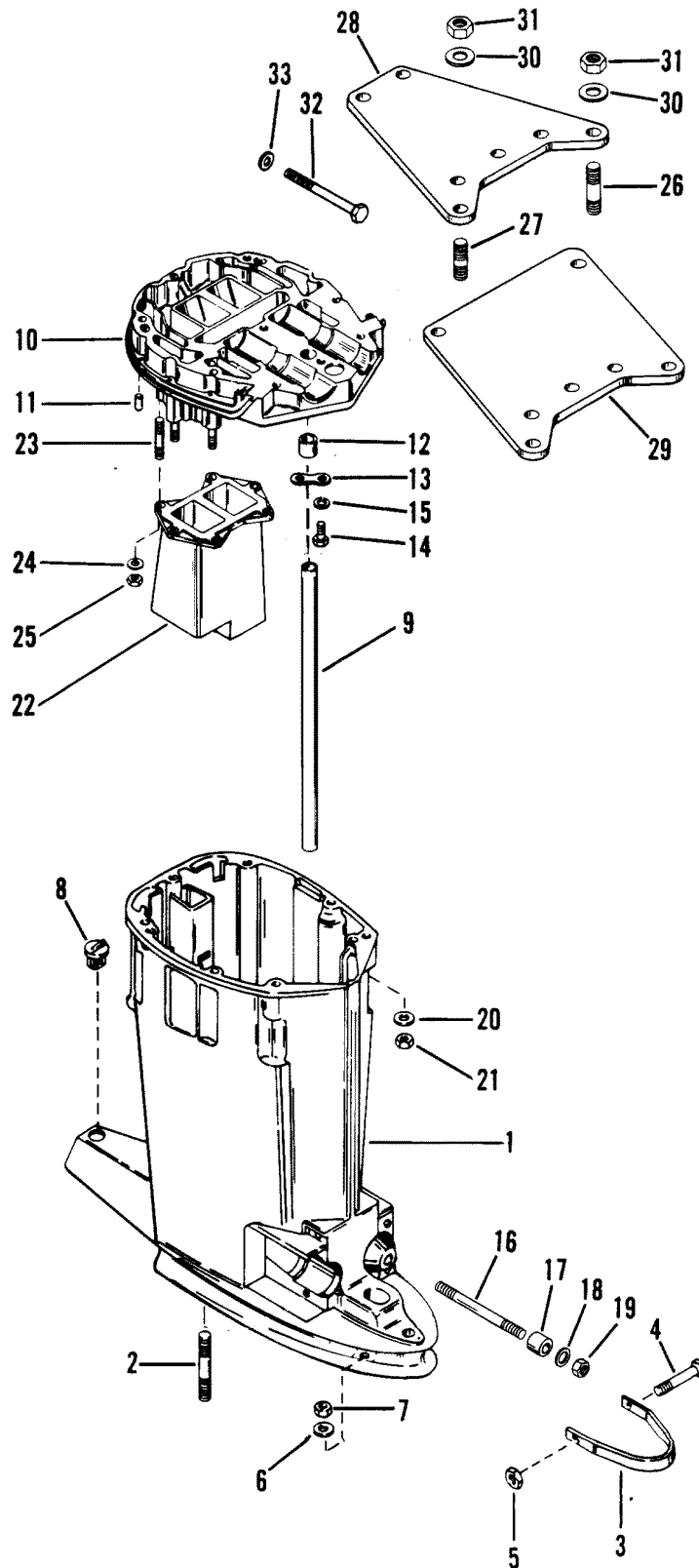
DRIVE SHAFT HOUSING(BASS)



DRIVE SHAFT HOUSING(BASS)

REF. NO.	PART NO.	SYM.	QTY.	DESCRIPTION
1	1590-8837A5		1	DRIVE SHAFT HOUSING ASSEMBLY
2	16-56295		2	STUD, DRIVE SHAFT HSG./GEAR HSG. (LONG)
	16-74732		2	STUD, DRIVE SHAFT HSG./GEAR HSG. (EXTRA LONG)
3	10-86581		2	SCREW, LOWER MOUNT
4	77697		2	MOUNT, LOWER
5	12-49339		2	WASHER, LOWER MOUNT SCREW
6	11-25096		2	NUT, LOWER MOUNT SCREW
7	54-67076		2	CLAMP, LOWER MOUNT
8	10-66727		4	SCREW, LOWER MOUNT CLAMP ATTACHING (1-1/4")
9	67077		2	COVER, LOWER MOUNT CLAMP
10	10-88417		4	SCREW, COVER ATTACHING (5/8")
11	11-35521		4	NUT, NYLON-COVER TO CLAMP SCREW
12	67703		1	STRAP, SWIVEL BRACKET RETAINING
13	10-67769		1	SCREW, STRAP TO DRIVE SHAFT HOUSING
14	11-25269		1	NUT, STRAP TO DRIVE SHAFT HOUSING SCREW
15	12-45176		3	WASHER, GEAR HOUSING STUD
16	11-34933		3	NUT, GEAR HOUSING STUD
17	19-64649		1	PLUG, DRIVE SHAFT HOUSING
18	32-67295		1	TUBE, WATER (LONG)
	32-74729		1	TUBE, WATER (EXTRA LONG)
19	42732A1		1	PLATE ASSEMBLY, DRIVE SHAFT HOUSING
20	17-20033		4	DOWEL PIN, LOCATING
21	26-38970		1	SEAL, WATER TUBE
22	44260		1	RETAINER, WATER TUBE SEAL
23	10-28636		1	SCREW, RETAINER
24	13-26992		1	LOCKWASHER, RETAINER SCREW
25	16-99791		2	STUD, TOP MOUNT
26	12-45176		4	WASHER, TOP MOUNT STUD
27	11-34933		2	NUT, TOP MOUNT STUD
28	12-45175		10	WASHER, POWERHEAD STUD
29	11-34932		8	NUT, POWERHEAD STUD (FULL)
	11-34863		2	NUT, POWERHEAD STUD (THIN)
30	41941		1	DIFFUSER, EXHAUST
31	16-66021		6	STUD, EXTENSION TO PLATE
32	12-20533		6	WASHER, EXTENSION STUD
33	11-30506		6	NUT, EXTENSION STUD
34	10-91903		3	SCREW, PLATE (1-3/4")
	10-92913		2	SCREW, PLATE (3/4")
35	12-45176		5	WASHER, PLATE SCREW
-	78148A1		1	SPACER ASSEMBLY EXTRA LONG
-	17-20033		2	PIN, LOCATIIG-SPACER EXTRA LONG

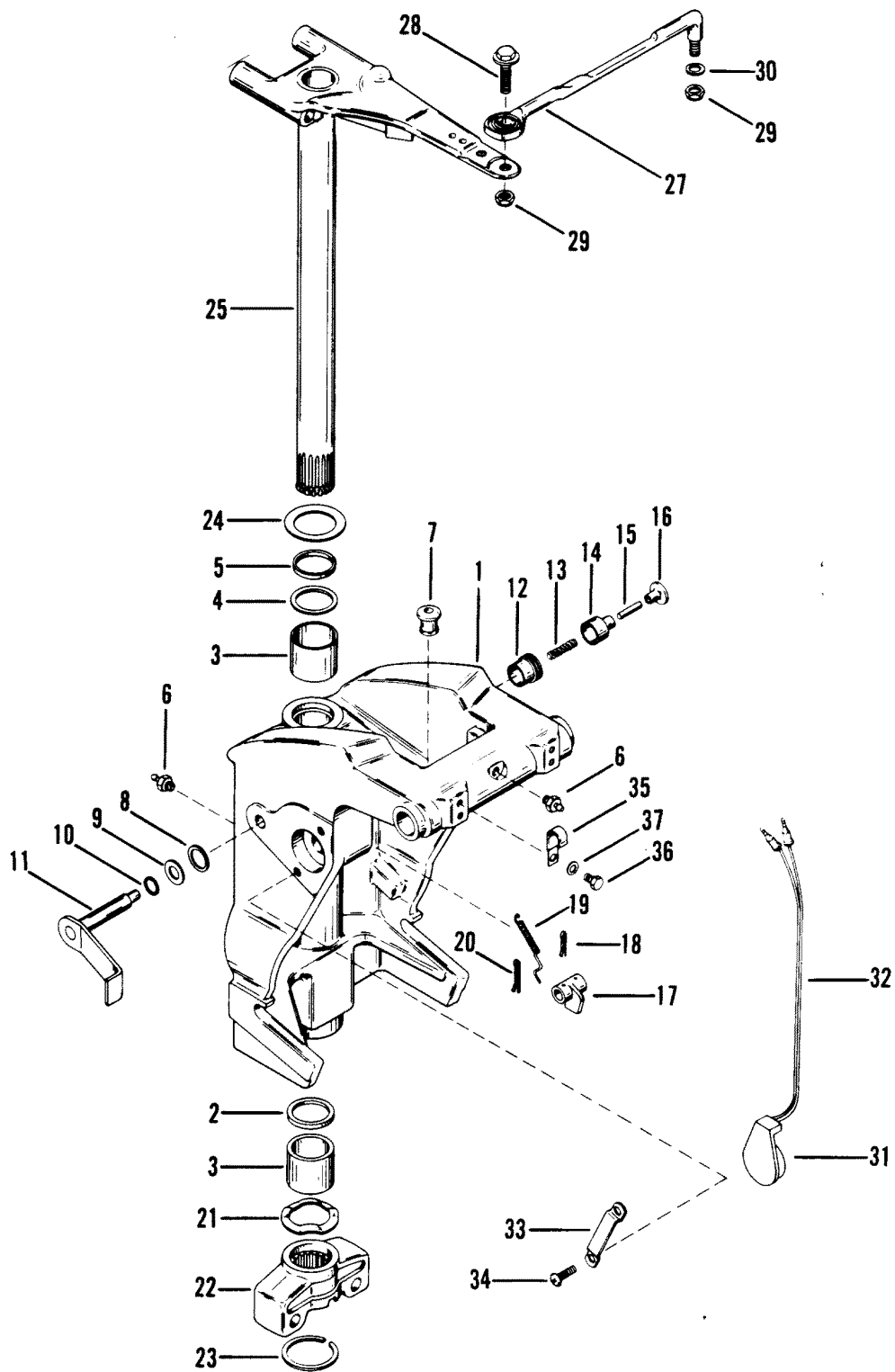
DRIVE SHAFT HOUSING(OFFSHORE)



DRIVE SHAFT HOUSING(OFFSHORE)

REF. NO.	PART NO.	SYM.	QTY.	DESCRIPTION
1	1581-8683A9		1	DRIVE SHAFT HOUSING ASSEMBLY
2	16-56295		2	STUD, DRIVE SHAFT HSG./GEAR HSG. (LONG)
	16-74732		2	STUD, DRIVE SHAFT HSG./GEAR HSG. (EXTRA LONG)
3	67703		1	STRAP, SWIVEL BRACKET RETAINING
4	10-67769		1	SCREW, STRAP TO DRIVE SHAFT HOUSING
5	11-25269		1	NUT, STRAP TO DRIVE SHAFT HOUSING SCREW
6	12-45176		3	WASHER, GEAR HOUSING STUD
7	11-34933		3	NUT, GEAR HOUSING STUD
8	19-64649		1	PLUG, DRIVE SHAFT HOUSING
9	32-67295		1	TUBE, WATER (LONG)
	32-74729		1	TUBE, WATER (EXTRA LONG)
10	42732A3		1	PLATE ASSEMBLY, DRIVE SHAFT HOUSING
11	17-20033		4	DOWELL PIN, LOCATING
12	26-38970		1	SEAL, WATER TUBE
13	44260		1	RETAINER, WATER TUBE SEAL
14	10-28636		1	SCREW, RETAINER
15	13-26992		1	LOCKWASHER, RETAINER SCREW
16	16-42355		2	STUD, MOUNTING-LOWER
17	23-42356		2	SPACER, MOUNTING STUD
18	12-54012		AR	WASHER, MOUNTING STUD
19	11-35000		2	NUT, MOUNTING STUD
20	12-45175		10	WASHER, POWERHEAD STUD
21	11-34932		8	NUT, POWERHEAD STUD (FULL)
	11-34863		2	NUT, POWERHEAD STUD (THIN)
22	41941		1	DIFFUSER, EXHAUST
23	16-66021		6	STUD, EXTENSION TO PLATE
24	12-20533		6	WASHER, EXTENSION STUD
25	11-30506		6	NUT, EXTENSION STUD
26	16-56298		2	STUD, TIE ROD, DRIVE SHAFT HOUSING (LONG)
27	16-99449		3	STUD, TIE ROD, EXHAUST PLATE (SHORT)
28	99303		1	PLATE, TIE ROD (SINGLE)
29	41106		1	PLATE, TIE ROD (RIGHT OR LEFT)
30	12-45176		5	WASHER, PLATE MOUNTING STUD
31	11-34933		5	NUT, PLATE MOUNTING STUD
32	10-13212		2	SCREW, UPPER MOUNT
33	12-45176		4	WASHER, UPPER MOUNT SCREW
-	78148A1		1	SPACER ASSEMBLY EXTRA LONG
-	17-20033		2	PIN, LOCATING-SPACER EXTRA LONG

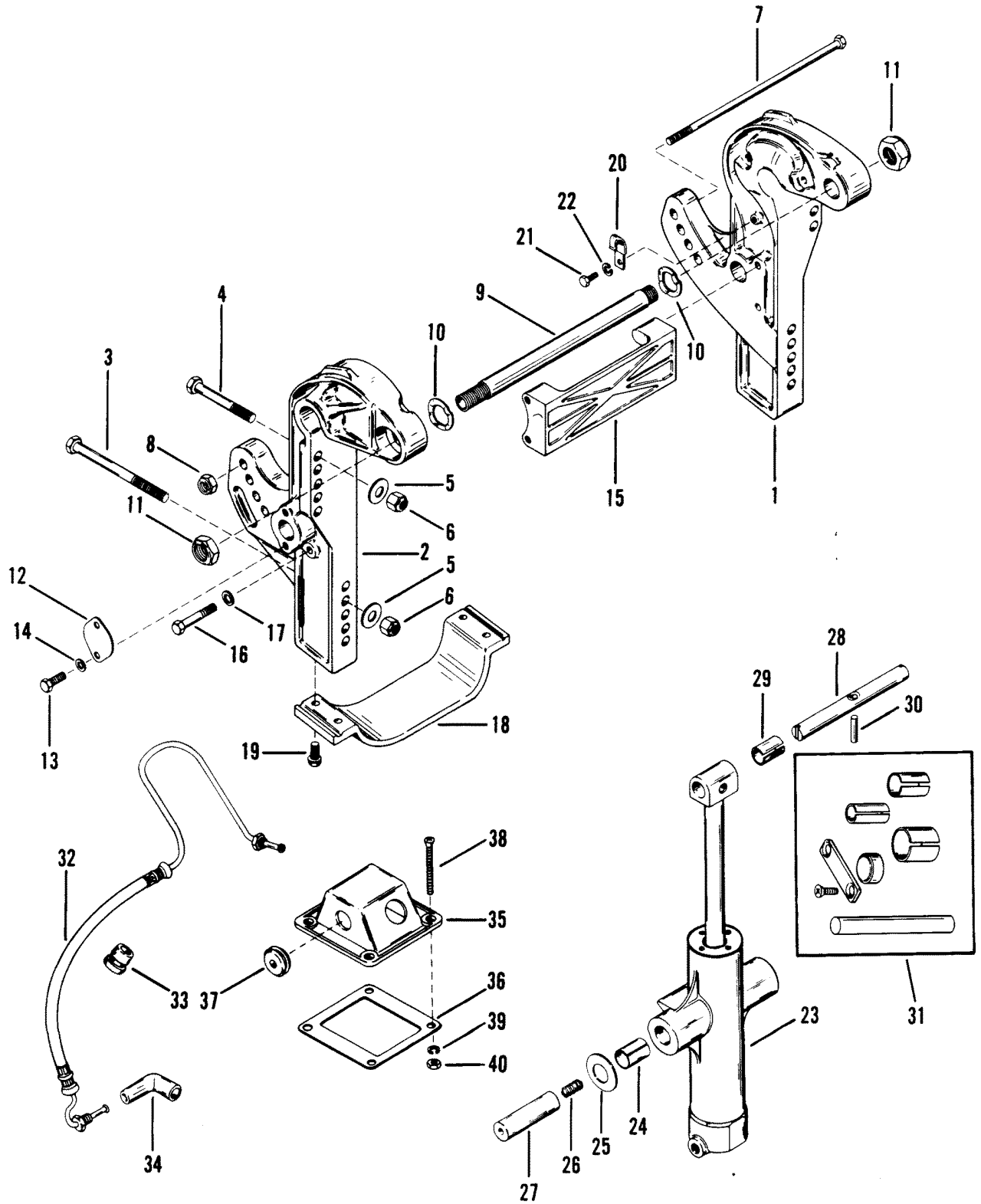
SWIVEL BRACKET AND STEERING ARM



SWIVEL BRACKET AND STEERING ARM

REF. NO.	PART NO.	SYM.	QTY.	DESCRIPTION
1	1491-9225A2		1	SWIVEL BRACKET ASSEMBLY
2	26-87735		1	OIL SEAL, SWIVEL BRACKET (LOWER)
3	23-67669		2	BUSHING, SWIVEL BRACKET - LOWER AND UPPER
4	25-33466		1	"O" RING, SWIVEL BRACKET - UPPER
5	23-67668		1	SPACER, SWIVEL BRACKET - UPPER
6	22-74036		4	FITTING, GREASE
7	25-88341		2	GROMMET, SWIVEL BRACKET (BASS)
8	26-85023		2	OIL SEAL, SWIVEL BRACKET
9	12-87161		2	WASHER, TILT LOCK LEVER
10	25-48171		2	"O" RING, TILT LOCK LEVER
11	85030A1		1	LEVER ASSEMBLY, TILT LOCK (PORT)
	85028A1		1	LEVER ASSEMBLY, TILT LOCK (STARBOARD)
12	23-86600		1	BUSHING, TILT LEVER RELEASE
13	24-85367		1	SPRING, TILT LEVER RELEASE
14	41052		1	PLUNGER, TILT LEVER RELEASE
15	16-88876		1	STUD, PLUNGER
16	86603		1	KNOB, PLUNGER
17	86475--1		1	COUPLING, TILT LOCK LEVER
18	17-69745		2	PIN, LEVER TO COUPLING
19	24-88049		1	SPRING, TENSION - COUPLING
20	18-93861		1	COTTER PIN, COUPLING SPRING
21	13-78854		1	WAVE WASHER, BOTTOM YOKE
22	86580A1		1	BOTTOM YOKE
23	53-67684		1	RETAINING RING, BOTTOM YOKE
24	12-67670		1	WASHER, THRUST - SWIVEL BRACKET
25	17-67706A2		1	SWIVEL PIN AND STEERING ARM ASSEMBLY
27	92876A1		1	STEERING LINK ASSEMBLY
28	10-79401		1	SCREW, STEERING LINK TO STEERING ARM (1-1/8")
29	11-34863		2	NUT, STEERING LINK SCREW
30	12-34931		2	WASHER, STEERING LINK TO STEERING ARM
31	86485A5		1	TRIM SENDER ASSEMBLY-BASS
32	84-65017A15		1	HARNESS, TRIM SENDER-BASS
31	86485A6		1	TILT SWITCH ASSEMBLY-BASS
32	84-65017A14		1	HARNESS, TILT SWITCH-BASS
33	88342		2	STRAP, SWITCH AND SENDER-BASS
34	10-87926		4	SCREW, STRAP TO SWIVEL BRACKET-BASS
35	54-54457		1	CLAMP, SWITCH AND SENDER LEADS-BASS
36	10-98256		1	SCREW, CLAMP TO SWIVEL BRACKET-BASS
37	12-29245		1	WASHER, CLAMP SCREW-BASS

TRANSOM BRACKETS AND TRIM CYLINDER

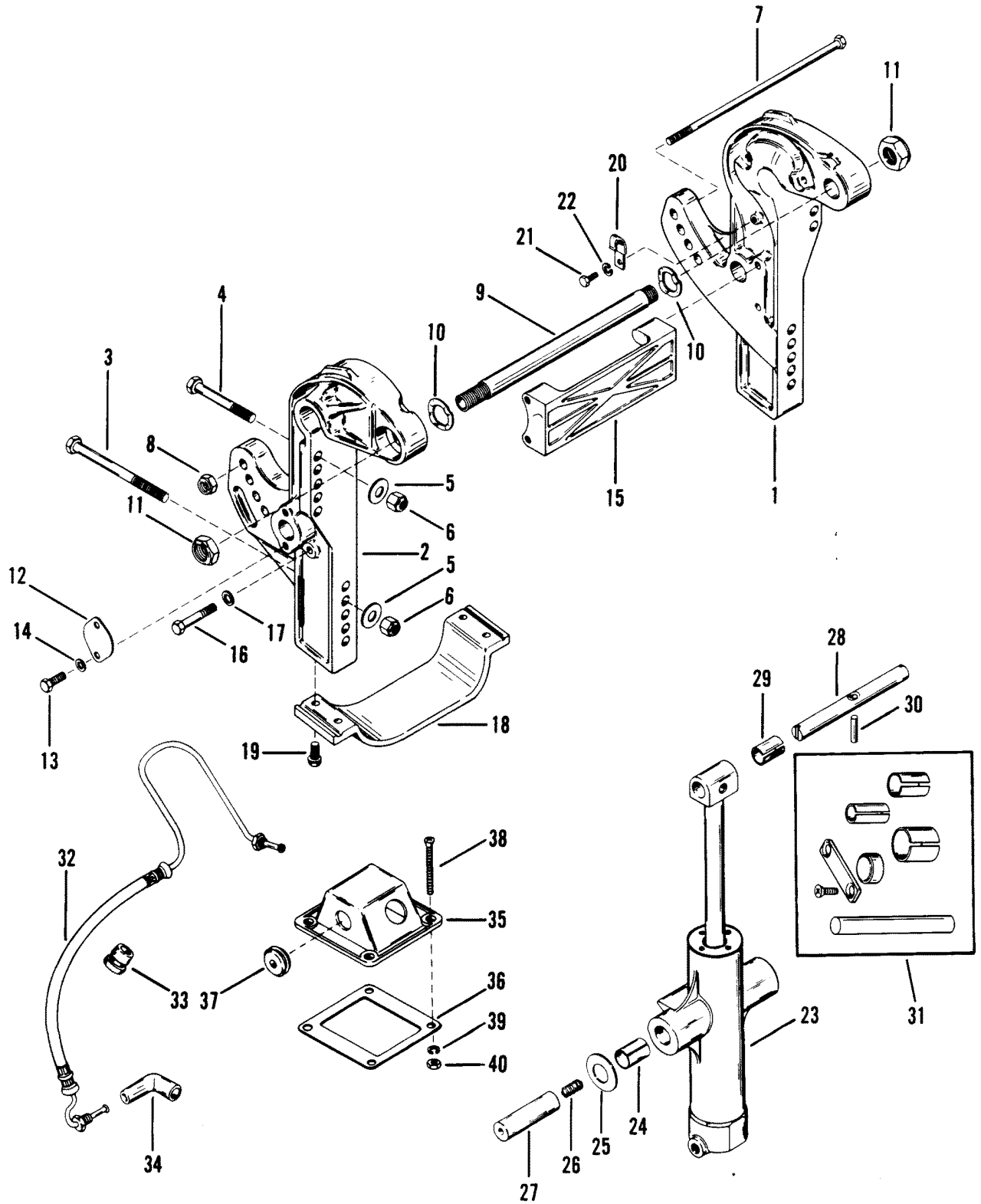


TRANSOM BRACKETS AND TRIM CYLINDER

REF. NO.	PART NO.	SYM.	QTY.	DESCRIPTION
1	1494-7476--1		1	BRACKET, TRANSOM (PORT)
2	1495-7478--1		1	BRACKET, TRANSOM (STARBOARD)
3	10-67755--2		2	SCREW, BRACKET TO TRANSOM (6-1/2")
4	10-67755--1		2	SCREW, BRACKET TO TRANSOM (4-1/2")
5	12-28421		4	WASHER, BRACKET SCREW
6	11-35000		4	NUT, BRACKET SCREW
7	10-87180		1	BOLT, TILT
8	11-20220		1	NUT, TILT BOLT
9	99170A1		1	TILT TUBE
10	13-88750		2	WAVE WASHER, TILT TUBE
11	11-56041		1	NUT, TILT TUBE (7/8-14)
	11-34862		1	NUT, TILT TUBE (1"-14)
12	85026		2	PLATE, PIVOT PIN
13	10-28636		4	SCREW, PLATE TO TRANSOM BRACKET
14	12-29245		4	WASHER, PLATE SCREW
15	85035		1	SPACER, TRANSOM BRACKET
16	10-70732		4	SCREW, SPACER TO TRANSOM BRACKET
17	12-29245		4	WASHER, SPACER SCREW
18	89949A1		1	PLATE ASSEMBLY, TRANSOM BRACKET
19	10-89996		4	SCREW, PLATE TO TRANSOM BRACKET
20	54-88512		4	CLAMP, HYDRAULIC HOSE
	54-75275		2	CLAMP, HYDRAULIC HOSE
21	10-88829		6	SCREW, CLAMP TO TRANSOM BRACKET
22	13-26996		6	LOCKWASHER, CLAMP SCREW
23	79610A6		1	TRIM CYLINDER (79879A1 REPAIR KIT) -BASS
24	23-86489		2	BUSHING, TRIM CYLINDER-BASS -BASS
25	12-85022		2	WASHER, TRANSOM BRACKET-BASS -BASS
26	24-30316		2	SPRING, TRIM CYLINDER-BASS -BASS
27	17-85020		2	PIVOT PIN, TRIM CYLINDER-BASS -BASS
28	85024		1	SHAFT, TRIM CYLINDER-BASS -BASS
29	23-86637		2	BEARING, TRIM SHAFT-BASS -BASS
30	17-91862		1	PIN, TRIM CYLINDER-BASS -BASS
23	79610A10		1	TRIM CYLINDER (79879A1 REPAIR KIT) - OFF SHORE
31	23-99813A1		1	BUSHING KIT, TRIM CYLINDER OFF SHORE
32	32-89024A1		1	HOSE, HYDRAULIC - PORT
	32-89023A2		1	HOSE, HYDRAULIC - STARBOARD
33	25-12602		2	GROMMET, HYDRAULIC HOSES
34	22-87207		1	CONNECTOR, HYDRAULIC HOSE
35	87871		1	COVER, INLET - HYDRAULIC HOSE

CONTINUED ON NEXT PAGE ➡

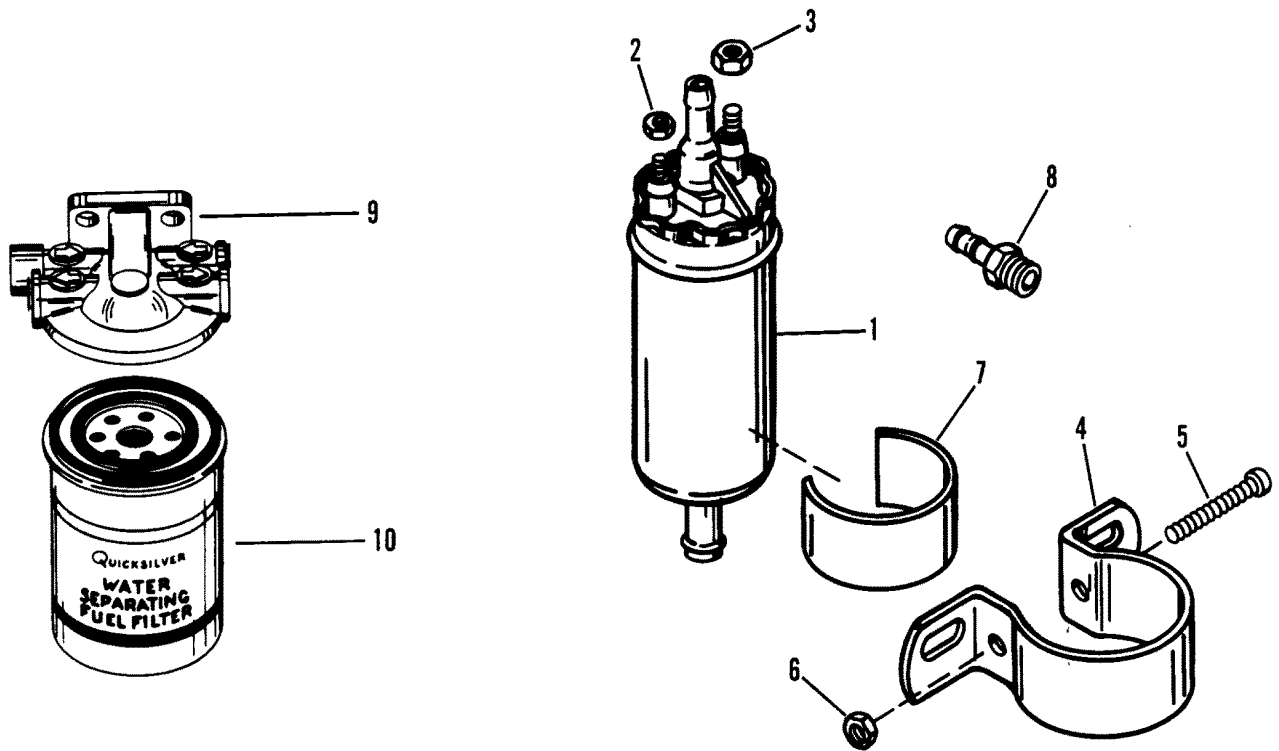
TRANSOM BRACKETS AND TRIM CYLINDER



TRANSOM BRACKETS AND TRIM CYLINDER

REF. NO.	PART NO.	SYM.	QTY.	DESCRIPTION
36	27-87775		1	GASKET,INLET COVER
37	25-45507		1	GROMMET, INLET COVER
38	10-36070		4	SCREW, INLET COVER
39	13-26996		4	LOCK WASHER, INLET COVER SCREW
40	11-68219		4	NUT, INLET COVER SCREW

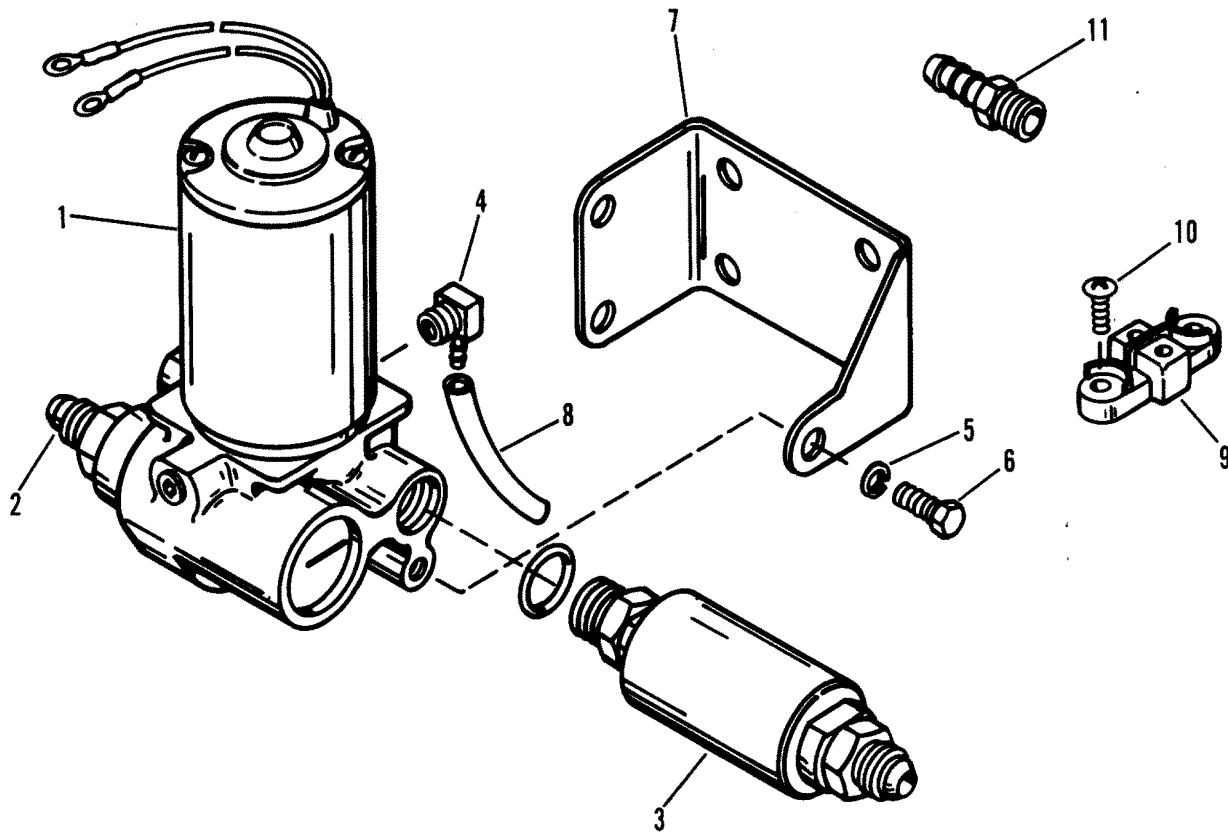
FUEL PUMP(BASS)



FUEL PUMP(BASS)

REF. NO.	PART NO.	SYM.	QTY.	DESCRIPTION
1	99528A1		1	FUEL PUMP ASSEMBLY, E.F.I.
2	11-40063--2		1	NUT
3	11-40063--3		1	NUT
4	94451		1	BRACKET, FUEL PUMP
5	10-32627		1	SCREW
6	11-20110		1	NUT
7	41038		1	SLEEVE
8	22-63187		1	CONNECTOR
9	35-60494A4		1	FUEL FILTER KIT
10	35-60494--1		1	FUEL FILTER

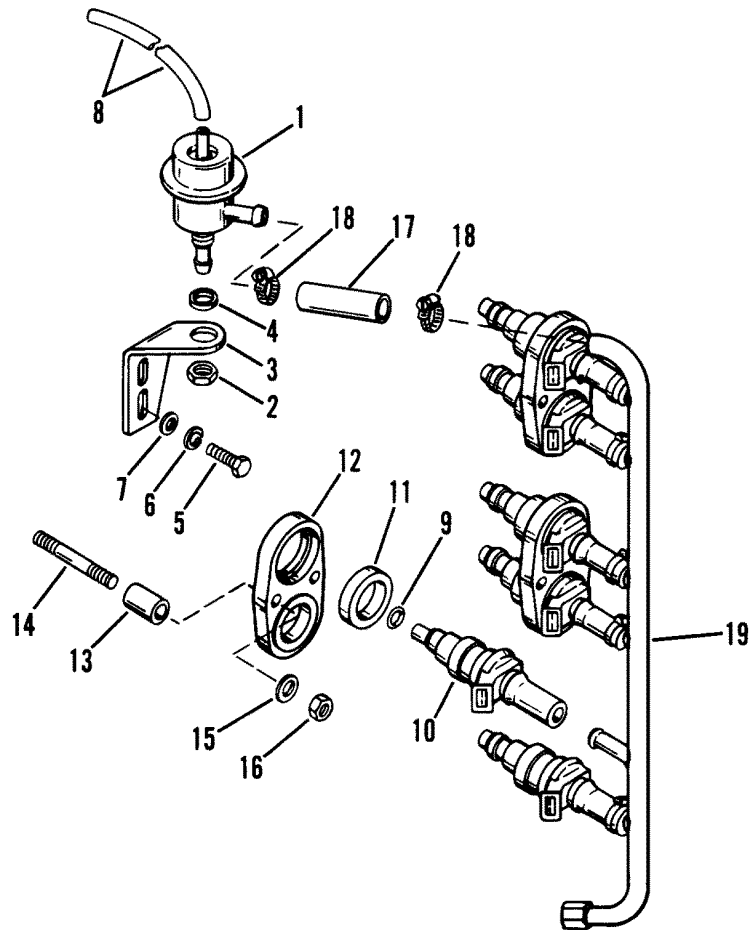
FUEL PUMP(OFFSHORE)



FUEL PUMP(OFFSHORE)

REF. NO.	PART NO.	SYM.	QTY.	DESCRIPTION
1	93860A1		1	FUEL PUMP ASSEMBLY,E.F.I.
2	22-94273		1	FITTING
3	35-94865		1	FUEL FILTER
4	22-62006		1	ELBOW
5	13-26992		3	LOCKWASHER
6	10-28635		3	SCREW
7	96030		1	BRACKET, FUEL PUMP
8	32-99387-79		1	HOSE
9	45559		1	TERMINAL BLOCK
10	10-62568		2	SCREW
11	22-32820		1	CONNECTOR, HOSE

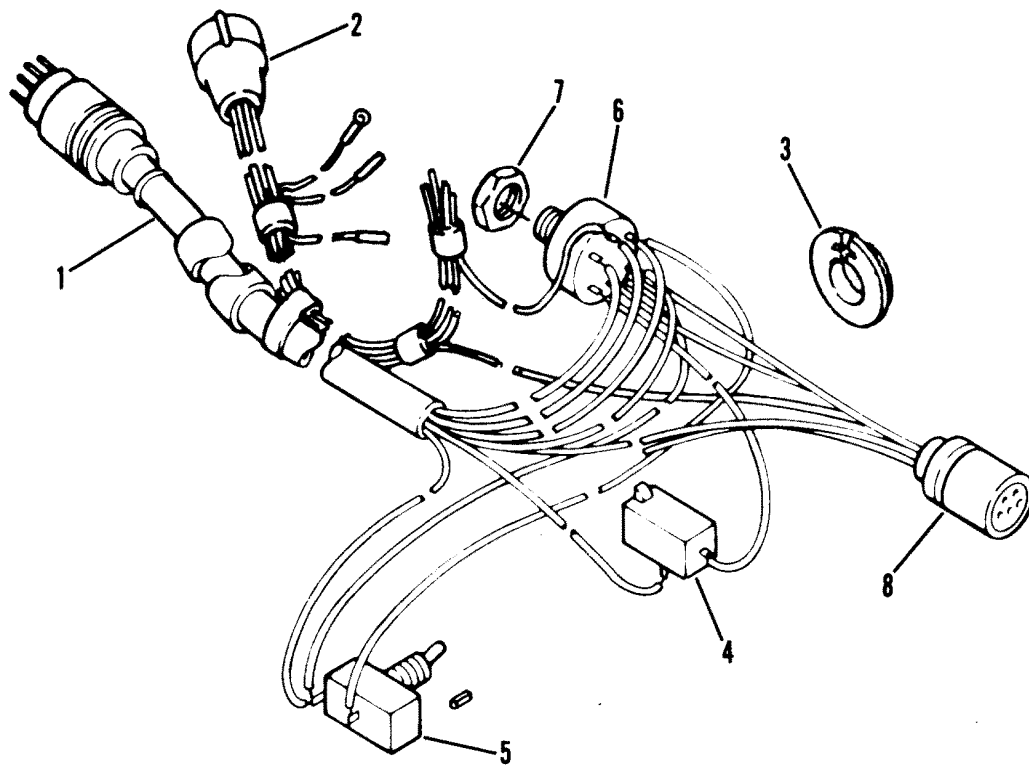
FUEL INJECTORS



FUEL INJECTORS

REF. NO.	PART NO.	SYM.	QTY.	DESCRIPTION
1	41378A2		1	FUEL REGULATOR
2	11-99306		1	NUT, FUEL REGULATOR
3	98713		1	BRACKET, FUEL REGULATOR
4	23-43353		1	SPACER, FUEL REGULATOR
5	10-28636		2	SCREW, BRACKET TO REED BLOCK PLATE
6	13-26992		2	LOCKWASHER, BRACKET SCREW
7	12-29245		2	WASHER, BRACKET SCREW
8	32-66285--4		1	HOSE, FUEL
9	26-94219		6	SEAL, FUEL INJECTOR
10	98818		6	INJECTOR, FUEL
11	25-99123		6	GROMMET, HOLD DOWN
12	98716		3	HOLD DOWN, INJECTOR
13	98717		6	SPACER, HOLD DOWN
14	16-21184		6	STUD, HOLD DOWN
15	12-29245		6	WASHER, HOLD DOWN STUD
16	11-20061		6	NUT, HOLD DOWN STUD
17	32-61649--3		1	HOSE, FUEL
18	54-54428		2	CLAMP, FUEL HOSE
19	98710		1	FUEL RAIL

TRIM HARNESS ASSEMBLY

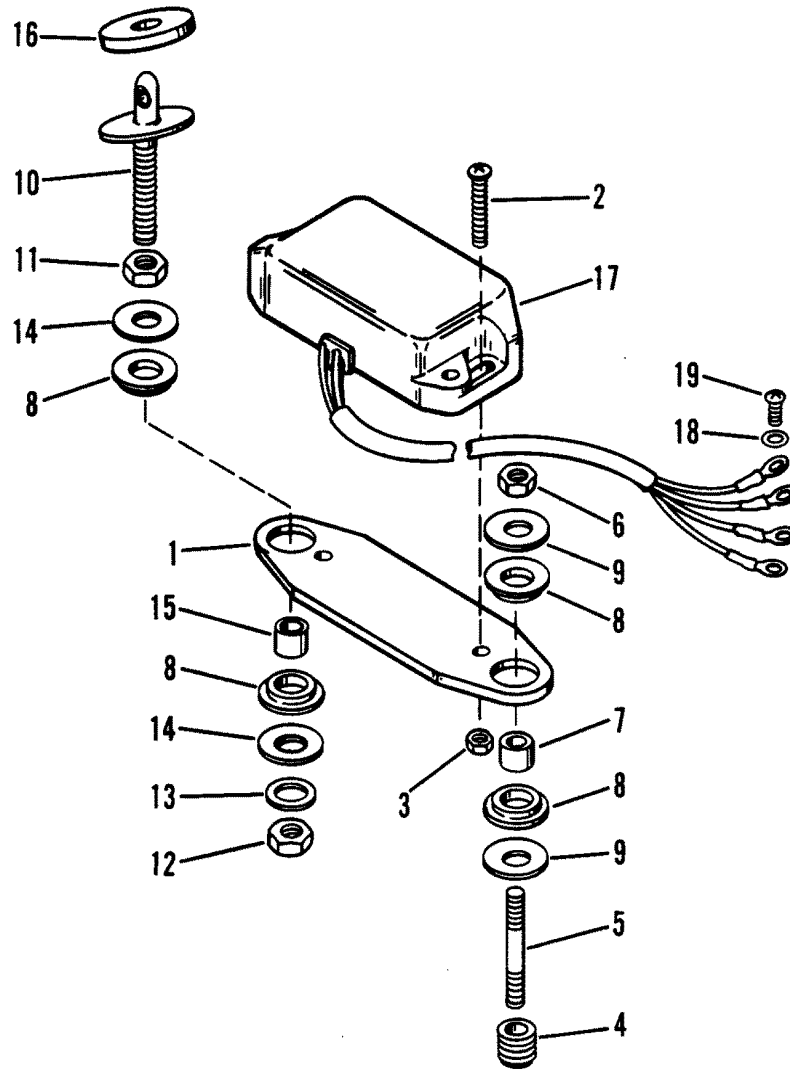


OFFSHORE

TRIM HARNESS ASSEMBLY

REF. NO.	PART NO.	SYM.	QTY.	DESCRIPTION
1	84-86353A20		1	WIRING HARNESS ASSEMBLY
2	84-86228A20		1	HARNESS ASSEMBLY, TRIM
3	23-85872		1	BUSHING, TRIM HARNESS
4	87-86320		1	MICRO SWITCH
5	87-91941		1	TOGGLE SWITCH
6	87-88107		1	IGNITION SWITCH (See Below for Replacement Keys)
-	89491--1		AR	KEY-Ignition Switch (1A)
-	89491--2		AR	KEY-Ignition Switch (1B)
-	89491--3		AR	KEY-Ignition Switch (1C)
-	89491--4		AR	KEY-Ignition Switch (1D)
-	89491--5		AR	KEY-Ignition Switch (1E)
-	89491--6		AR	KEY-Ignition Switch (1F)
-	89491--7		AR	KEY-Ignition Switch (2A)
-	89491--8		AR	KEY-Ignition Switch (2B)
-	89491--9		AR	KEY-Ignition Switch (2C)
-	89491-10		AR	KEY-Ignition Switch (2D)
-	89491-11		AR	KEY-Ignition Switch (2E)
-	89491-12		AR	KEY-Ignition Switch (2F)
7	11-93543		1	NUT, IGNITION SWITCH
8	85-86319		1	INSULATOR, WIRING HARNESS

REV LIMITER



REV LIMITER

REF. NO.	PART NO.	SYM.	QTY.	DESCRIPTION
1	85994		1	BRACKET, SPEED LIMITER
2	10-65384		2	SCREW, SPEED LIMITER TO BRACKET
3	11-20110		2	NUT, BRACKET SCREW
4	22-86987		1	PIPE PLUG, CYLINDER BLOCK
5	16-46857		1	STUD, BRACKET TO CYLINDER BLOCK (SHORT)
6	11-35814		1	NUT, BRACKET STUD
7	23-67268		1	SPACER, BRACKET STUD
8	12-67264		4	WASHER, RUBBER
9	12-36042		2	WASHER, BRACKET STUD
10	99454		1	HOLD DOWN, COWL
11	11-22496		1	NUT, HOLD DOWN (JAM)
12	11-35053		1	NUT, HOLD DOWN (NYLON)
13	12-22248		1	WASHER, HOLD DOWN
14	12-99456		2	WASHER, HOLD DOWN
15	23-99457		0	BUSHING, HOLD DOWN
16	23-99509		1	PAD, RUBBER, HOLD DOWN
17	86926A2		1	REV LIMITER ASSEMBLY
18	13-26996		1	LOCKWASHER, GROUND SCREW
19	10-45218		1	SCREW, REV LIMITER GROUND

GEAR HOUSING CHART BASS

REF. NO.	PART NO.	SYM.	QTY.	DESCRIPTION
-	1647-9224A3		1	GEAR HOUSING ASSEMBLY (LONG) RHR
-	1647-9224A4		1	GEAR HOUSING ASSEMBLY (X-LONG) RHR
-	1647-9224A5		1	GEAR HOUSING (LONG) LHR
-	1647-9224A6		1	GEAR HOUSING ASSEMBLY (X-LONG) LHR
-	1647-9224A1		1	GEAR HOUSING ASSEMBLY (BASIC)

GEAR HOUSING CHART OFFSHORE

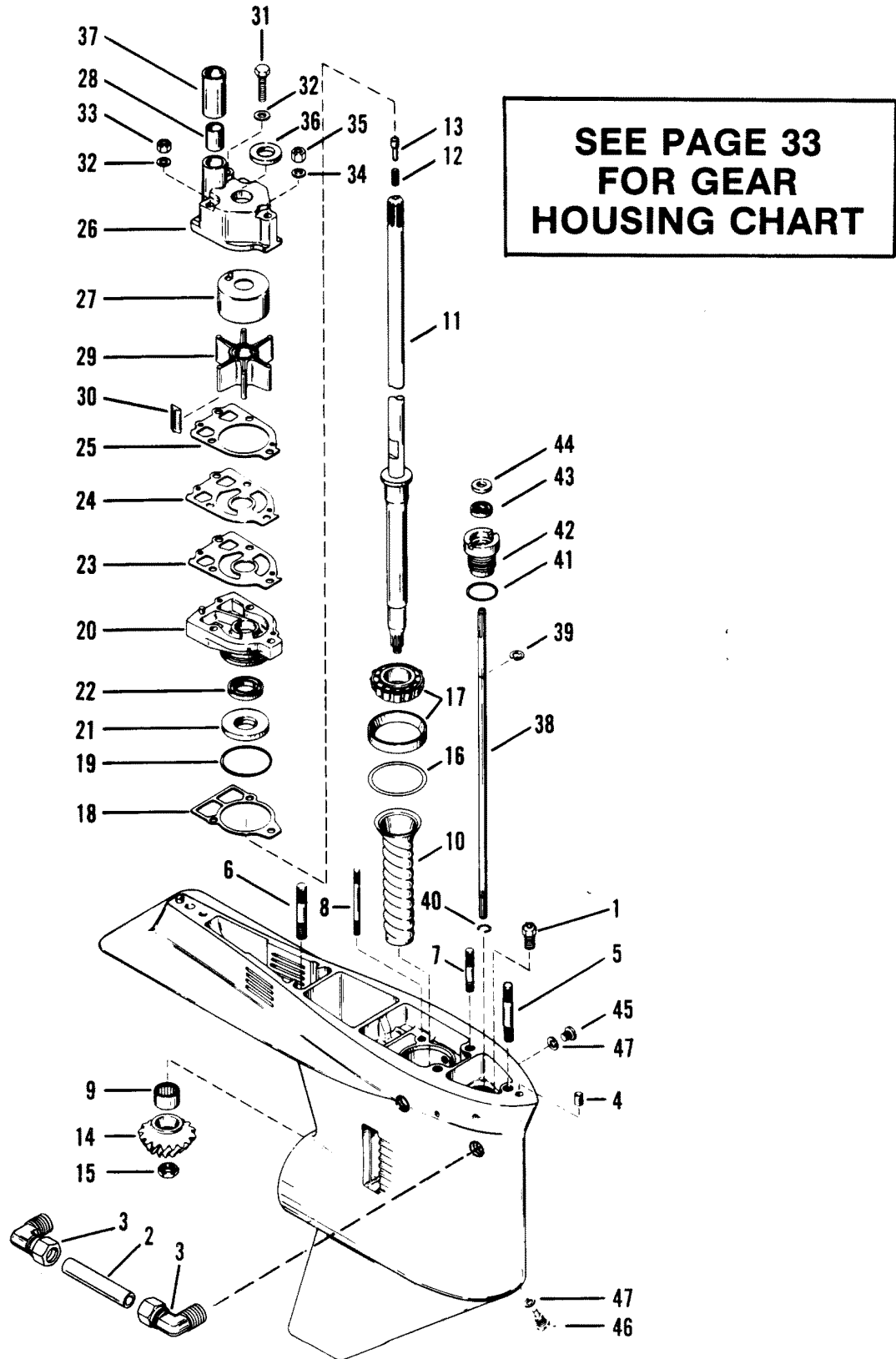
REF. NO.	PART NO.	SYM.	QTY.	DESCRIPTION
-	1647-8469A43		1	GEAR HOUSING ASSEMBLY (LONG) RHR
-	1647-8469A44		1	GEAR HOUSING ASSEMBLY (X-LONG) RHR
-	1647-8469A45		1	GEAR HOUSING ASSEMBLY (LONG) LHR
-	1647-8469A46		1	GEAR HOUSING ASSEMBLY (X-LONG) LHR
-	1647-8469A41		1	GEAR HOUSING ASSEMBLY (BASIC)

GEAR HOUSING CHART OFFSHORE(CLE)

REF. NO.	PART NO.	SYM.	QTY.	DESCRIPTION
-	1647-9223A3		1	GEAR HOUSING ASSEMBLY (LONG) RHR
-	1647-9223A4		1	GEAR HOUSING ASSEMBLY (X-LONG) RHR
-	1647-9223A5		1	GEAR HOUSING ASSEMBLY (LONG) LHR
-	1647-9223A6		1	GEAR HOUSING ASSEMBLY (X-LONG) LHR
-	1647-9223A1		1	GEAR HOUSING ASSEMBLY (BASIC)

THIS PAGE INTENTIONALLY LEFT BLANK

GEAR HOUSING (DRIVE SHAFT)

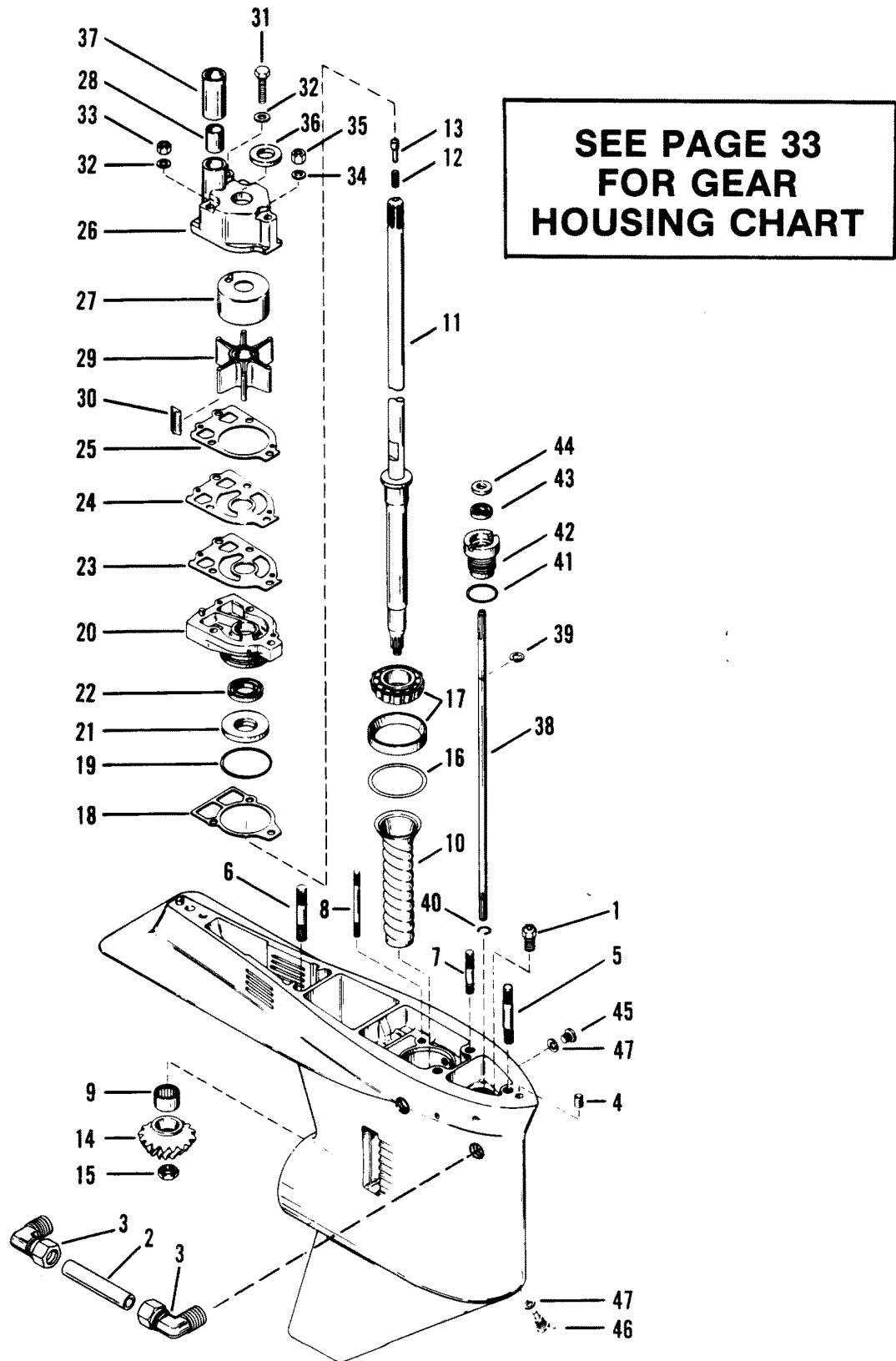


GEAR HOUSING (DRIVE SHAFT)

REF. NO.	PART NO.	SYM.	QTY.	DESCRIPTION
1	22-47945		1	PIPE PLUG, GEAR HOUSING (BASS)
	22-47540		1	PIPE PLUG, GEAR HOUSING OFFSHORE
2	32-97451--1		1	WATER TUBE
3	22-97476		2	FITTING, WATER TUBE
4	17-20033		2	DOWEL PIN, GEAR HOUSING LOCATING
5	16-78638		1	STUD, GEAR HOUSING (3-1/8")-LONG
	16-78639		1	STUD, GEAR HOUSING (9")-EXTRA LONG
6	16-57920		2	STUD, GEAR HOUSING (2-1/16")-LONG
	16-74730		2	STUD, GEAR HOUSING (7-1/16")-EXTRA LONG
7	16-56297		1	STUD, WATER PUMP (3-3/8")
8	16-30667		2	STUD, WATER PUMP (3-1/8")
9	31-35934A1		1	ROLLER BEARING, DRIVE SHAFT
10	23-98621		1	SLEEVE, LUBRICATION
11	45-98682A1		1	DRIVE SHAFT ASSEMBLY (LONG)
	45-41509A2		1	DRIVE SHAFT ASSEMBLY (EXTRA LONG)
12	24-34576		1	SPRING, DRIVE SHAFT PIN
13	17-30545		1	PIN, DRIVE SHAFT
14	N.S.S.		1	PINION GEAR (PART OF 43-43491A1 AND A3)
15	11-35921		1	NUT, PINION GEAR TO DRIVE SHAFT
16	15-57007A1		AR	SHIM ASSEMBLY, ROLLER BEARING TO GEAR HOUSING
17	31-53079A1		1	ROLLER BEARING, DRIVE SHAFT
18	27-85610		1	GASKET, WATER PUMP
19	25-33145		1	"O"RING, WATER PUMP
20	46-96146A6		1	WATER PUMP BASE ASSEMBLY
21	26-89238		1	OIL SEAL, WATER PUMP BASE
22	26-79884		1	OIL SEAL, WATER PUMP BASE
23	27-85608		1	GASKET, LOWER-WATER PUMP
24	32435		1	PLATE, FACE-WATER PUMP
25	27-85609		1	GASKET, UPPER-WATER PUMP
26	46-96148A1		1	WATER PUMP BODY ASSEMBLY
27	48752		1	INSERT, WATER PUMP BODY
28	26-38970		1	SEAL,RUBBER-WATER INLET TUBE
29	47-89984		1	IMPELLER,WATER PUMP
30	28-56654		1	KEY,IMPELLER DRIVE
31	10-96411		1	SCREW,WATER PUMP (2-1/4')
32	12-29245		3	WASHER,WATER PUMP SCREW AND STUD
33	11-20361		2	NUT,WATER PUMP STUD
34	12-36001		1	WASHER,WATER PUMP STUD
35	11-45592		1	NUT,WATER PUMP STUD
36	25-30271		1	RING,RUBBER (DRIVE SHAFT)
37	23-29804		1	SLEEVE,GUIDE-WATER INLET TUBE
38	78902		1	SHAFT,SHIFT-LOWER
39	53-29641		1	"E" RING,RETAINING-SHIFT SHAFT

CONTINUED ON NEXT PAGE ➡

GEAR HOUSING (DRIVE SHAFT)

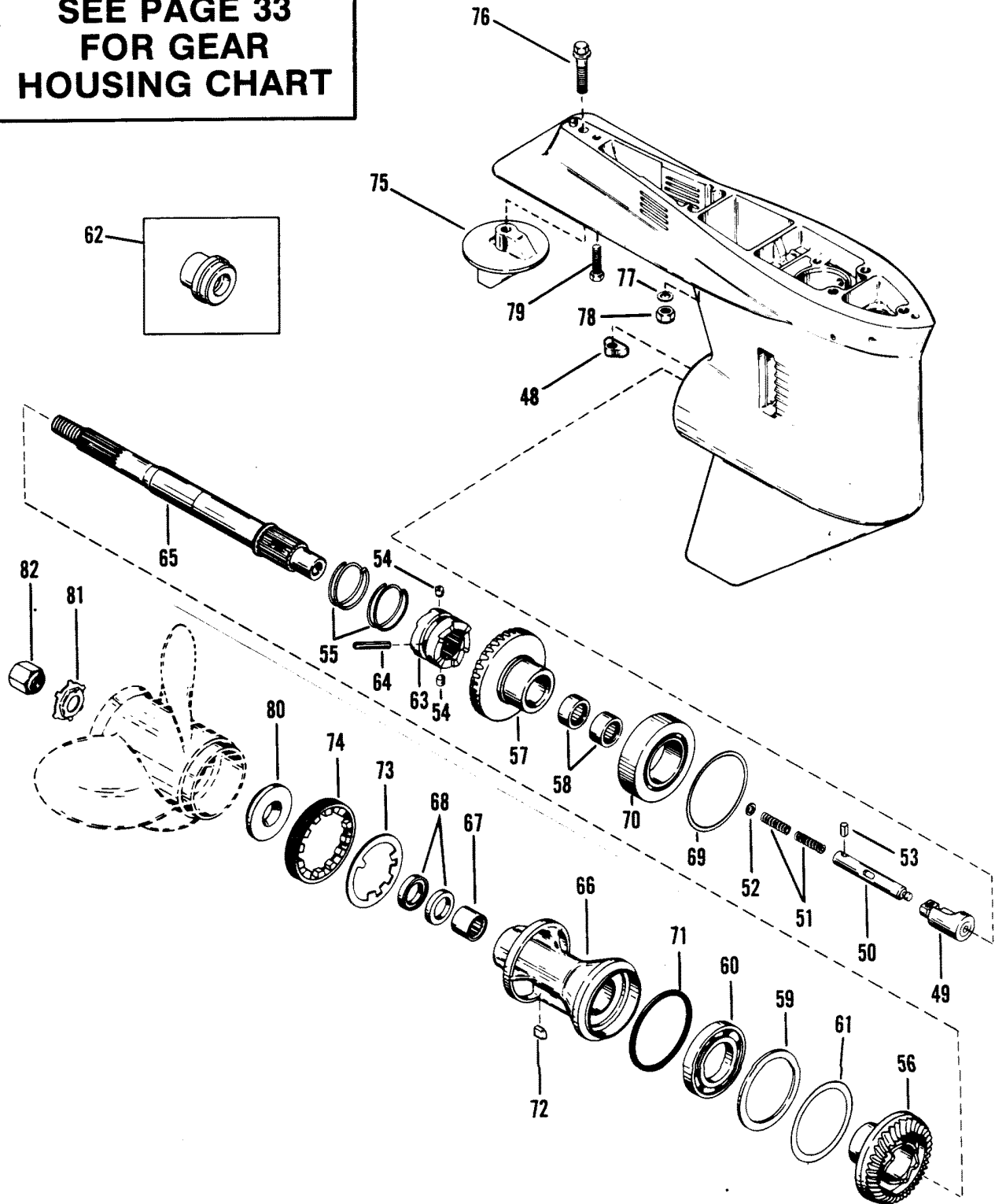


GEAR HOUSING (DRIVE SHAFT)

REF. NO.	PART NO.	SYM.	QTY.	DESCRIPTION
40	53-78907		1	RETAINING RING
41	25-25439		1	"O" RING,SHIFT SHAFT BUSHING
42	23-77631A2		1	BUSHING ASSEMBLY,SHIFT SHAFT
43	26-76384		1	OIL SEAL,SHIFT SHAFT BUSHING
44	12-77674		1	WASHER,RUBBER-SHIFT SHAFT BUSHING
45	10-79953		1	SCREW,GREASE FILLER
46	22-67892		1	SCREW,DRAIN (MAGNETIC)
47	12-20260		2	WASHER,GREASE FILLER AND DRAIN SCREW

GEAR HOUSING (PROPELLER SHAFT)

SEE PAGE 33
FOR GEAR
HOUSING CHART



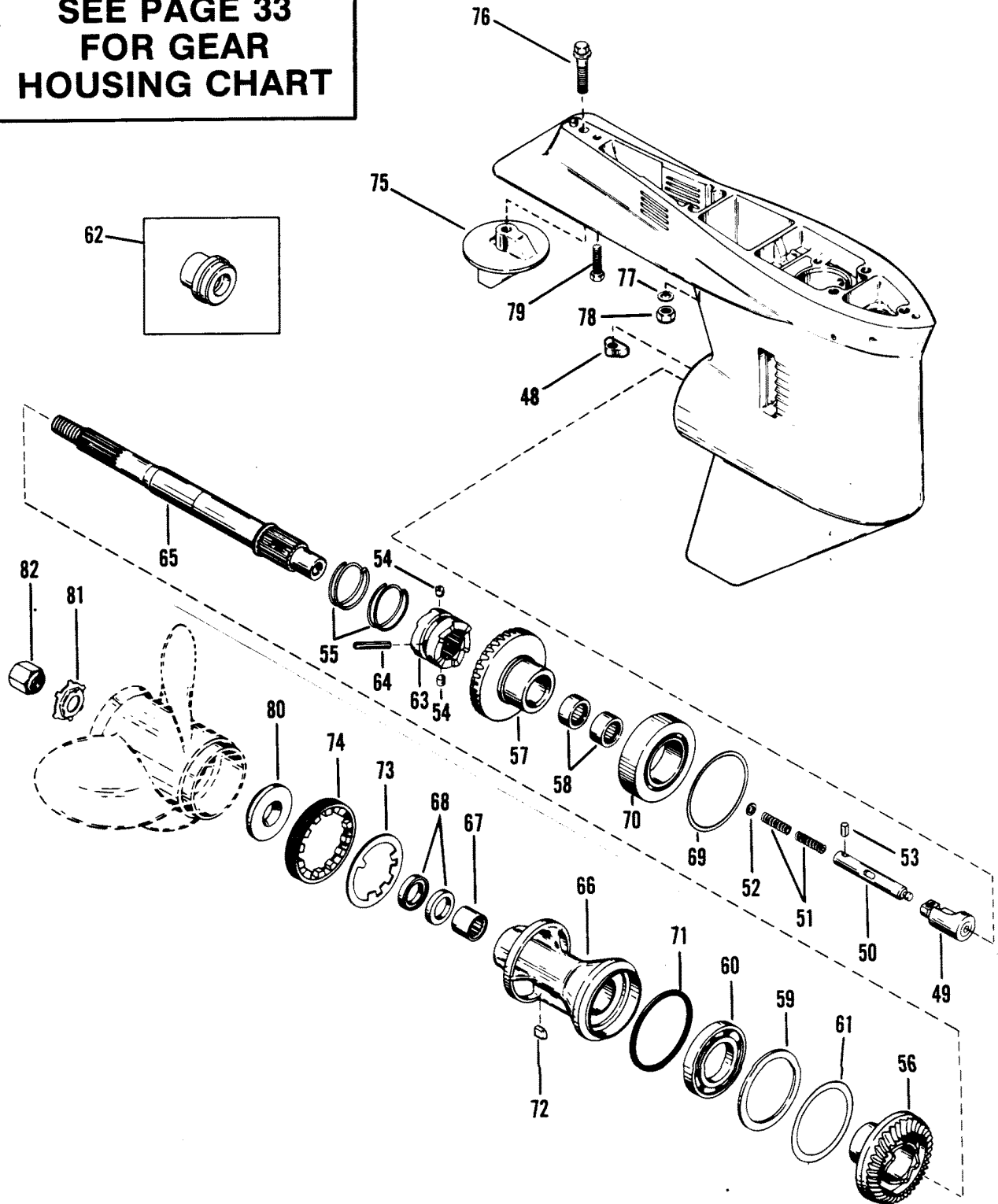
GEAR HOUSING (PROPELLER SHAFT)

REF. NO.	PART NO.	SYM.	QTY.	DESCRIPTION
48	78956		1	SHIFT CAM RHR
49	89594A1		1	FOLLOWER, CAM RHR
50	79911		1	ROD,CLUTCH ACTUATOR RHR
51	24-79910		2	SPRING,COMPRESSION RHR
52	12-78910		AR	WASHER,SPRING RHR
53	17-78906		1	PIN,SPRING LOCATOR RHR
54	17-78909		2	DETENT PIN,RATCHET RHR
55	24-78962		2	SPRING,RETAINING-CROSS PIN RHR
56	N.S.S.		1	REVERSE GEAR (PART OF 43-43491A1) RHR
57	43-43491A1		1	FOWARD GEAR ASSEMBLY RHR
58	31-73363		2	ROLLER BEARING,FORWARD GEAR RHR
59	68100		1	THRUST RING RHR
60	30-35914		1	BALL BEARING-REVERSE GEAR RHR
57	43-43491A3		1	FORWARD GEAR ASSEMBLY LHR
59	12-85065		1	THRUST RING LHR
60	31-78172A1		1	ROLLER BEARING LHR
61	15-31535A1		AR	SHIM,BEARING CARRIER (.002-3-5-10-20) LHR
62	99494		1	ADAPTOR LHR
63	52-78959		1	RATCHET,SLIDING CLUTCH BASS RHR/LRH OFFSHORE R.H.R./OFFSHORE LHR
64	17-78905		1	CROSS PIN,RATCHET RHR/LRH BASS RHR/LRH OFFSHORE R.H.R./OFFSHORE LHR
63	52-42672		1	RATCHET,SLIDING CLUTCH BASS RHR/LRH OFFSHORE R.H.R./OFFSHORE LHR
64	17-42671		1	CROSS PIN,RATCHET BASS RHR/LRH OFFSHORE R.H.R./OFFSHORE LHR
65	44-94148		1	PROPELLER SHAFT (BASS-RHR)
	44-98418		1	PROPELLER SHAFT (OFFSHORE-RHR&LHR/BASS-LHR)
66	43567A1		1	BEARING CARRIER (BASS-RHR)
	42301A1		1	BEARING CARRIER (BASS/OFFSHORE-LHR)
	42301A2		1	BEARING CARRIER (OFFSHORE-RHR)
	42301A1		1	BEARING CARRIER (OFFSHORE-CLE-RHR)
67	31-30956		1	ROLLER BEARING, BEARING CARRIER
68	26-76868		2	OIL SEAL,BEARING CARRIER (INNER)
69	15-47397A1		AR	SHIM,OUTER RACE (.002-3-5-10)
70	31-78172A1		1	TAPERED ROLLER BEARING
71	25-31534		1	"O" RING,BEARING CARRIER
72	28-30281		1	KEY,LOCATING-BEARING CARRIER
73	14-79447		1	TAB WASHER,GEAR HOUSING COVER
74	79448		1	COVER,GEAR HOUSING
75	31640A1		1	TRIM TAB,GEAR HOUSING
76	10-66024		1	SCREW,TRIM TAB TO GEAR HOUSING
77	12-45176		2	WASHER,DRIVE SHAFT HOUSING STUDS
78	11-34933		2	NUT,DRIVE SHAFT HOUSING STUDS

CONTINUED ON NEXT PAGE ➡

GEAR HOUSING (PROPELLER SHAFT)

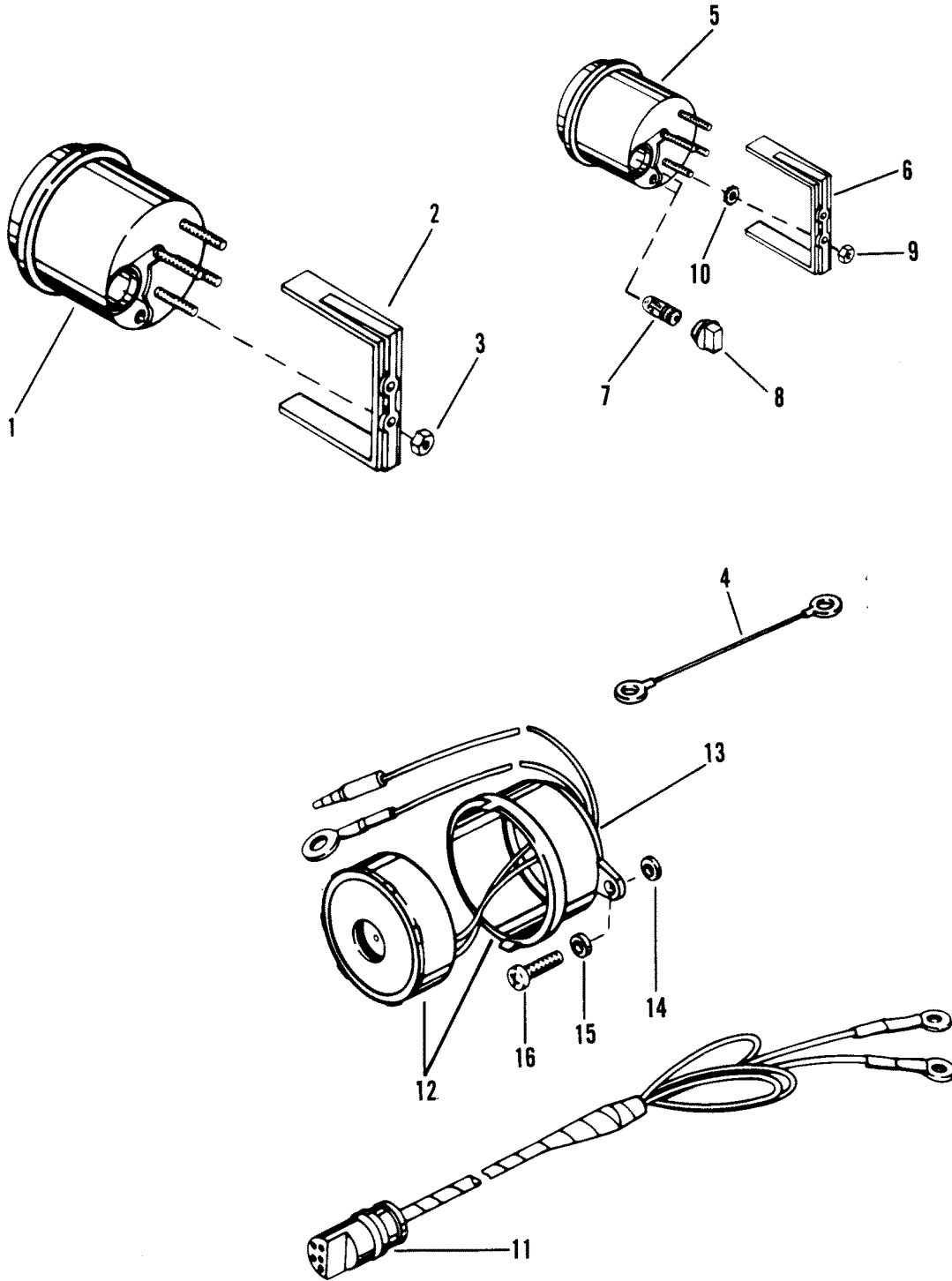
SEE PAGE 33
FOR GEAR
HOUSING CHART



GEAR HOUSING (PROPELLER SHAFT)

REF. NO.	PART NO.	SYM.	QTY.	DESCRIPTION
79	10-65210		1	SCREW,GEAR HOUSING (LONG)
	10-74727		1	SCREW,GEAR HOUSING (EXTRA LONG)
80	66500		1	THRUST HUB
81	14-31210		1	TAB WASHER,PROPELLER NUT
82	11-52707A1		1	PROPELLER NUT

TACHOMETER, TRIM GAUGE AND ALARM HORN

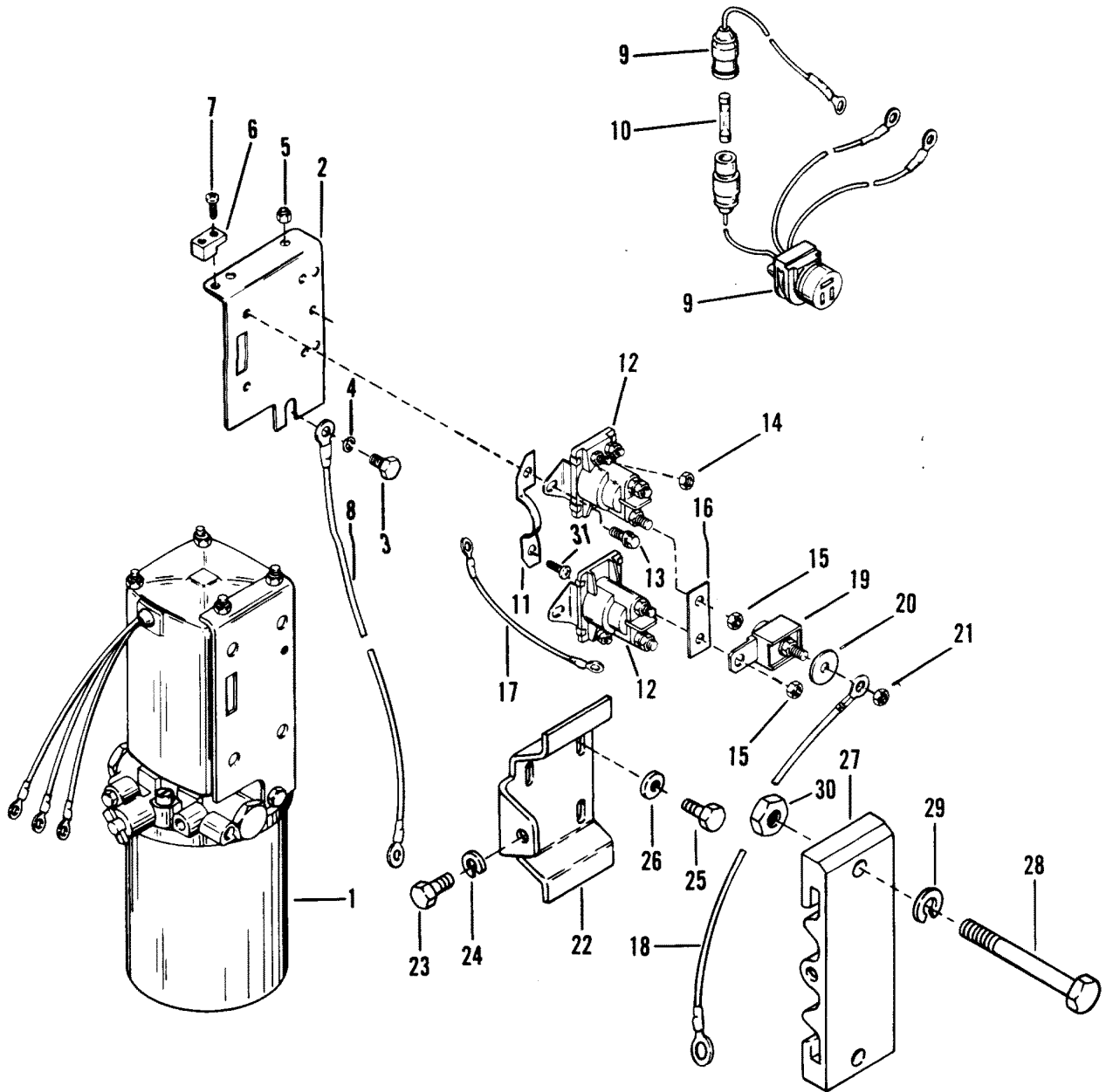


TACHOMETER, TRIM GAUGE AND ALARM HORN

REF. NO.	PART NO.	SYM.	QTY.	DESCRIPTION
1	79-93953A1		1	TACHOMETER
2	79101		1	BRACKET,MOUNTING-TACHOMETER
3	11-26419		5	TACHOMETER TERMINAL (#8-32)
4	84-86322A7		1	WIRE,TRIM GAUGE (BLACK-1-1/2")
	84-86323A5		1	WIRE,TRIM GAUGE (PURPLE-1-1/2:)
5	79-90941A3		1	TRIM GAUGE
6	79480		1	BRACKET,MOUNTING-TRIM GAUGE
7	88-72729		1	LIGHT BULB,TRIM GAUGE
8	88-79888		1	SOCKET,TRIM GAUGE
9	11-26419		4	NUT,TRIM GAUGE TERMINAL (8-32)
10	13-26995		4	LOCKWASHER,TRIM GAUGE TERMINAL (#8)
11	84-86396A8		1	HARNES
12	68878A2		1	ALARM HORN AND WIRE ASSEMBLY
13	68879		1	COVER,ALARM HORN
14	23-79697		2	SPACER,ALARM HORN
15	12-24676		4	WASHER,ALARM HORN
16	10-35401		2	SCREW,ALARM HORN

HYDRAULIC PUMP AND BRACKET (M0041-L19)

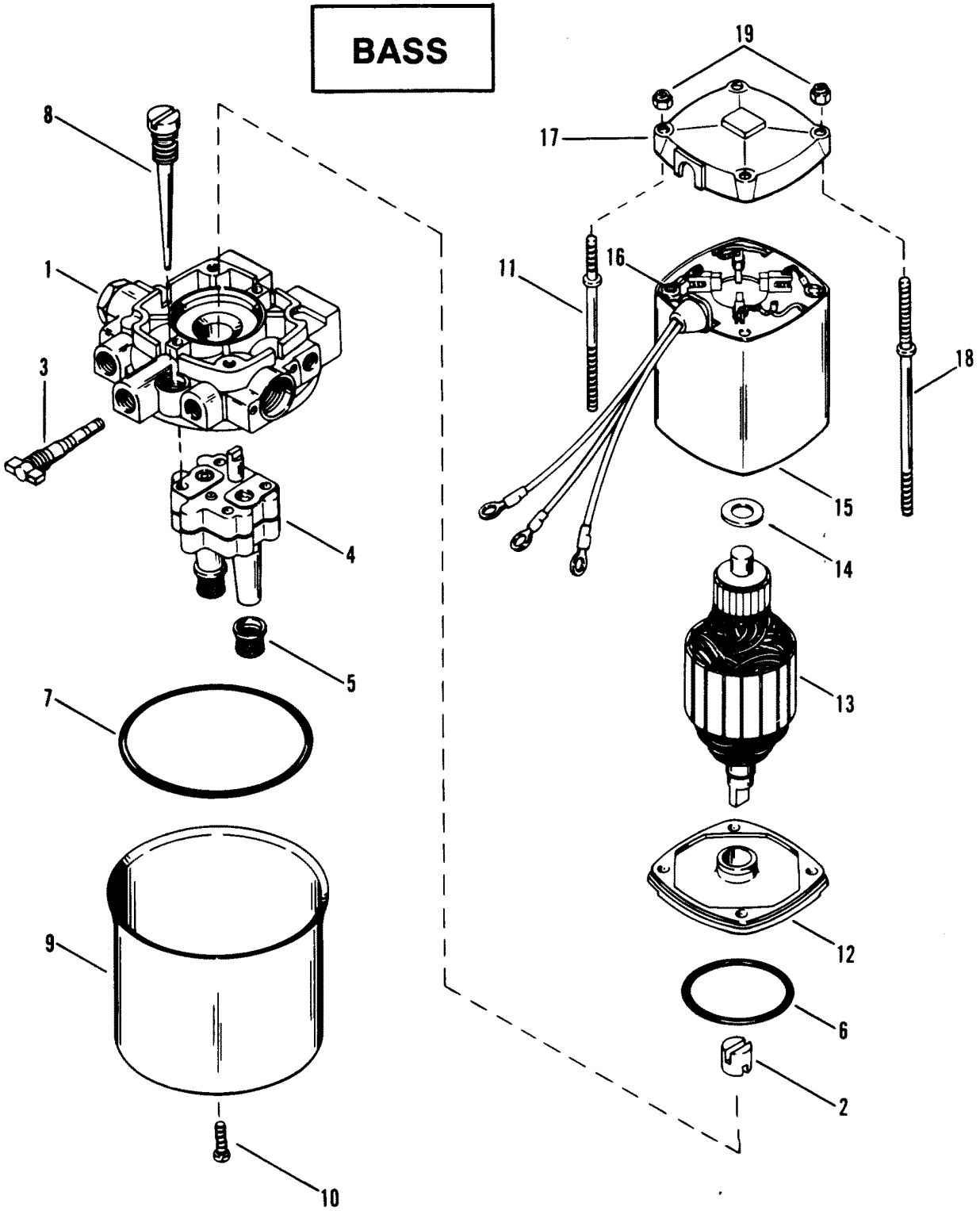
BASS



HYDRAULIC PUMP AND BRACKET (M0041-L19)

REF. NO.	PART NO.	SYM.	QTY.	DESCRIPTION
1	92459A4		1	HYDRAULIC PUMP ASSEMBLY
2	90318		1	BRACKET,MOUNTING-STARTER SOLENOID
3	10-90285		1	SCREW,MOUNTING BRACKET (5/8")
4	12-56720		1	WASHER,MOUNTING BRACKET SCREW
5	11-34059		2	NUT,MOUNTING BRACKET TO HYDRAULIC PUMP
6	45915		1	TERMINAL BLOCK
7	10-62568		2	SCREW,WIRE TO TERMINAL BLOCK (3/8")
8	84-79138A9		1	BATTERY CABLE,BLACK (NEGATIVE)
9	84-79147A3		1	HARNESS ASSEMBLY,HYDRAULIC PUMP
10	88-79091		1	FUSE (20 AMP)
11	88075		1	RETAINER,HARNESS TO MOUNTING BRACKET
12	89-96158		2	STARTER SOLENOID
13	10-41508		4	SCREW,STARTER SOLENOID TO BRACKET (3/8")
14	11-26419		4	NUT,STARTER SOLENOID TERMINAL (#8-32)
15	11-94330		4	NUT,STARTER SOLENOID TERMINAL (1/4-20)
16	94275		1	CONNECTOR,SOLENOID TO SOLENOID
17	84-86322A15		1	WIRE,SOLENOID TO SOLENOID (BLACK)
18	84-79139A12		1	BATTERY CABLE,RED (POSITIVE)
19	88-79023A10		1	FUSE (110 AMP)
20	12-96457		1	WASHER,FUSE TERMINAL
21	11-21825		1	NUT,FUSE TERMINAL
22	87760		1	PLATE,MOUNTING
23	10-39349		1	SCREW,MOUNTING PLATE TO BRACKET (3/4")
24	13-26993		1	LOCKWASHER,MOUNTING PLATE SCREW
25	10-90271		2	SCREW HYDRAULIC PUMP (5/8")
26	13-58643		2	LOCKWASHER,HYDRAULIC PUMP SCREW
27	87762		1	BRACKET,HYDRAULIC PUMP
28	10-31830		2	BOLT,BRACKET TO TRANSOM (3-1/2")
29	13-58643		2	LOCKWASHER,BRACKET SCREW
30	11-24883		2	NUT,BRACKET SCREW
31	10-48409		1	SCREW,RETAINER

HYDRAULIC PUMP ASSEMBLY

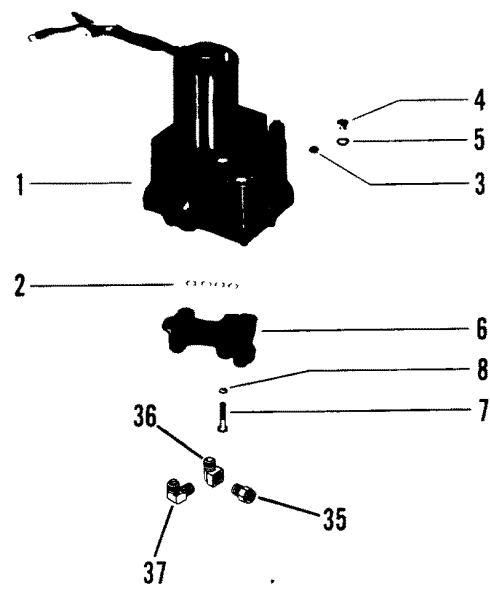
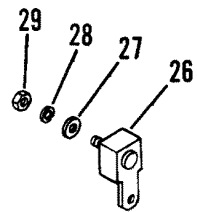
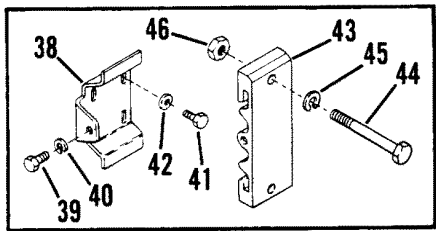
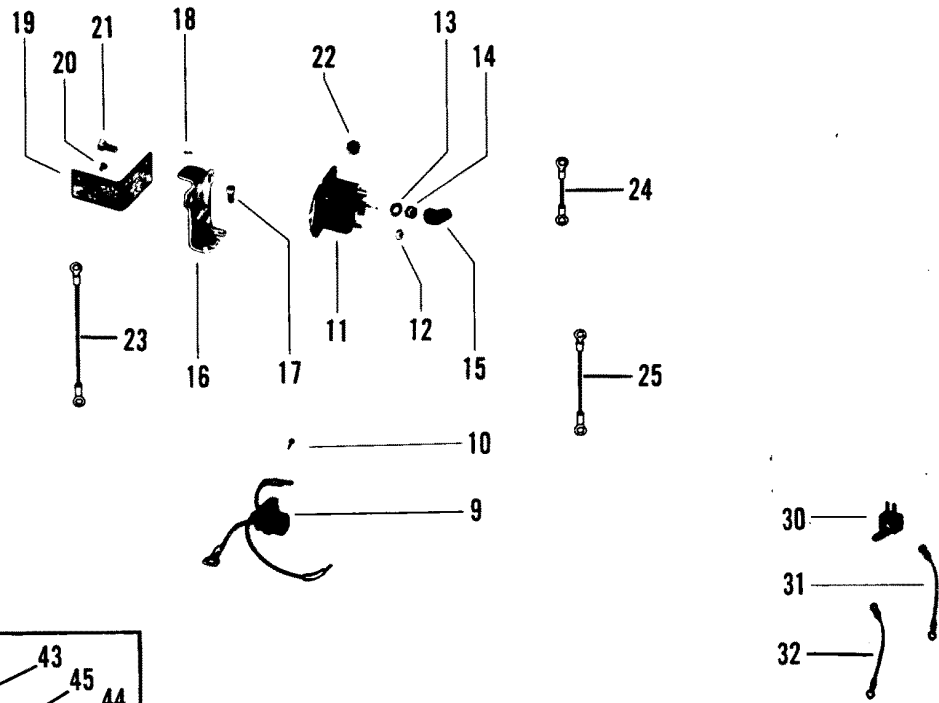


HYDRAULIC PUMP ASSEMBLY

REF. NO.	PART NO.	SYM.	QTY.	DESCRIPTION
-	92459A4		1	HYDRAULIC PUMP ASSEMBLY
1	89492		1	ADAPTOR
2	89493		1	COUPLING
3	89494		AR	MANUAL RELEASE (INCLUDES 2 "O" RINGS)
	96598		AR	MANUAL RELEASE (INCLUDES 3 "O" RINGS)
4	89495		1	PUMP (INCLUDES SCREWS)
5	35-89496		2	FILTER
6	25-89498		1	"O" RING,MOTOR END
7	25-89497		1	"O" RING,RESERVOIR END
8	89499		1	DIPSTICK
9	90587		1	RESERVOIR
10	10-90588		1	SCREW,RESERVOIR (INCLUDES "O" RING)
11	16-90589		1	THUR STUD (SHORT)
	16-90590		1	THUR STUD (LONG)
	87828		1	MOTOR, POWER TRIM
12	89484		1	END FRAME,DRIVE END
13	89485		1	ARMATURE
14	12-89482		1	WASHER, THRUST-ARMATURE
15	89486		1	FIELD AND FRAME
16	89487		1	BRUSH CARD
17	89488		1	END FRAME,COMMUTATOR END
18	10-89483		1	THRU BOLT,MOTOR (4-1/4")
	10-89489		1	THRU BOLT, MOTOR (4-9/16")
19	11-89481		6	NUT, THRU BOLT AND STUD

HYDRAULIC PUMP AND BRACKET(M0045-M19)

OFFSHORE



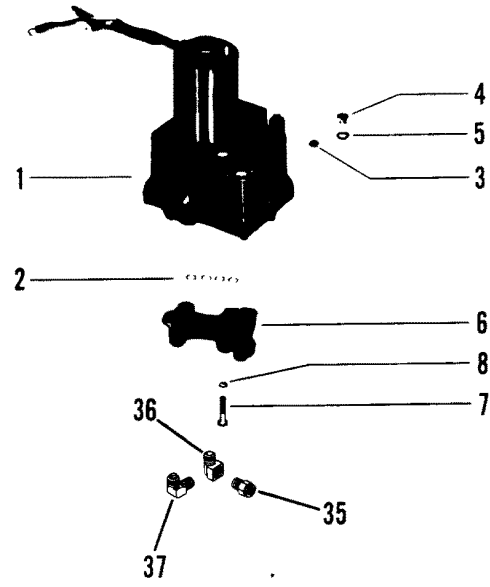
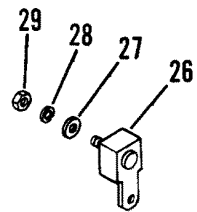
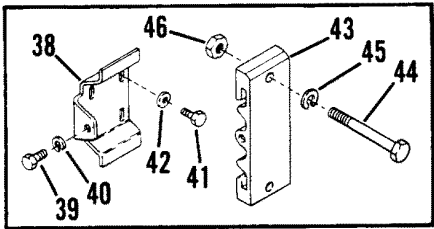
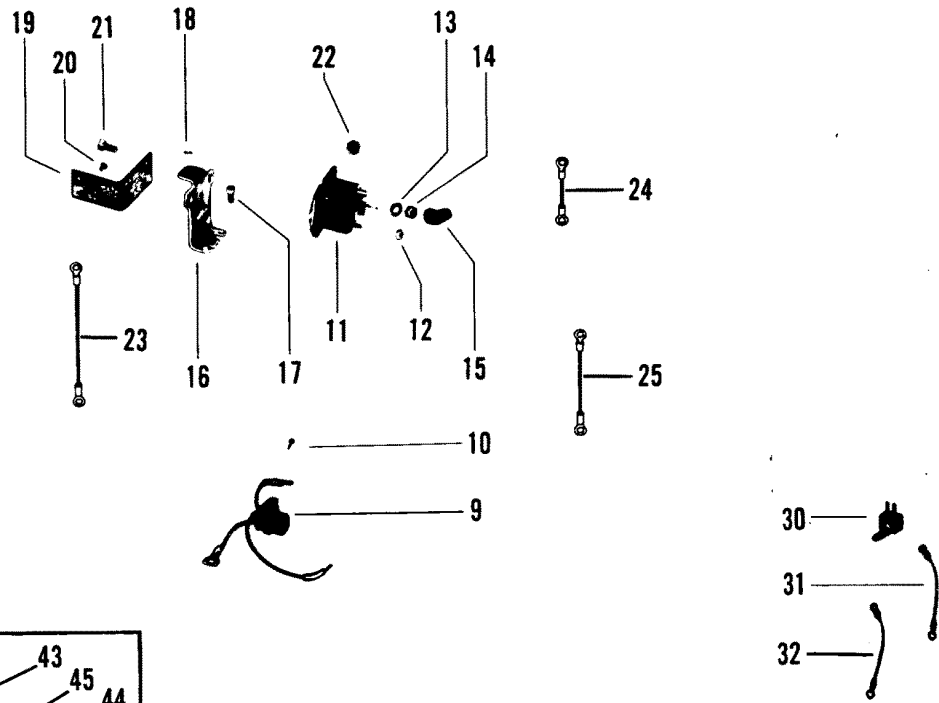
HYDRAULIC PUMP AND BRACKET(M0045-M19)

REF. NO.	PART NO.	SYM.	QTY.	DESCRIPTION
1	92975A6		1	HYDRAULIC PUMP ASSEMBLY
2	25-48171		4	"O" RING, HYDRAULIC PUMP
3	10-62269		1	VENT SCREW
4	10-79953		1	SCREW, FILLER
5	12-20260		1	SEALING WASHER
6	90762A2		1	CONTROL VALVE ASSEMBLY
-	25-48171		4	"O" RING (SAME AS REF. NO. 2)
7	10-21091		4	SCREW, CONTROL VALVE TO PUMP
8	13-26992		4	LOCKWASHER, CONTROL VALVE SCREW
9	84-79147A3		1	CONNECTOR AND HARNESS (WITH FUSE)
10	10-62568		1	SCREW, HARNESS ATTACHING
11	89-68258		2	STARTER SOLENOID
12	11-20110		4	NUT (#10)
13	12-22753		4	WASHER (5/16")
14	11-26484		4	NUT (5/16")
15	46265		6	BOOT, RUBBER
16	74407		1	BRACKET, MOUNTING - SOLENOID
17	10-48060		2	SCREW, BRACKET TO PUMP
18	11-20110		1	NUT, PUMP BOLT
19	74406		1	BRACKET, SOLENOID MOUNTING
20	26901		1	BUMPER, PUMP TO BRACKET
21	10-32417		2	SCREW, SOLENOID TO BRACKET (5/8")
	10-60300		2	SCREW, SOLENOID TO BRACKET (3/4")
22	11-20361		4	NUT, SOLENOID SCREW
23	84-79139A9		1	BATTERY WIRE (RED)
	84-79138A1		1	BATTERY WIRE (BLACK)
24	84-79139A2		1	WIRE, SOLENOID TO SOLENOID (RED)
	84-65999A10		1	WIRE, SOLENOID TO SOLENOID (BLACK)
25	84-65999A4		1	WIRE, SOLENOID TO GROUND (BLACK)
26	88-79023A90		1	FUSE (90 AMP)
27	12-96457		1	WASHER, FUSE TERMINAL
28	13-26992		1	LOCKWASHER, FUSE TERMINAL
29	11-21825		1	NUT, FUSE TERMINAL
30	88-79137--1		1	CIRCUIT BREAKER (40 AMP)
31	84-79148A1		1	WIRE, CIRCUIT BREAKER (RED)
32	84-65999A6		1	WIRE, CIRCUIT BREAKER (BLACK)
33	10-37562		4	SCREW, PUMP TO BRACKET
34	11-26484		4	NUT, PUMP SCREW
35	22-70847		2	ADAPTOR
36	22-69424		1	FITTING (90 DEGREES)
37	22-38214		1	ELBOW
38	87760		1	PLATE, MOUNTING
39	10-39349		1	SCREW, MOUNTING PLATE TO BRACKET (3/4")

CONTINUED ON NEXT PAGE ➡

HYDRAULIC PUMP AND BRACKET(M0045-M19)

OFFSHORE

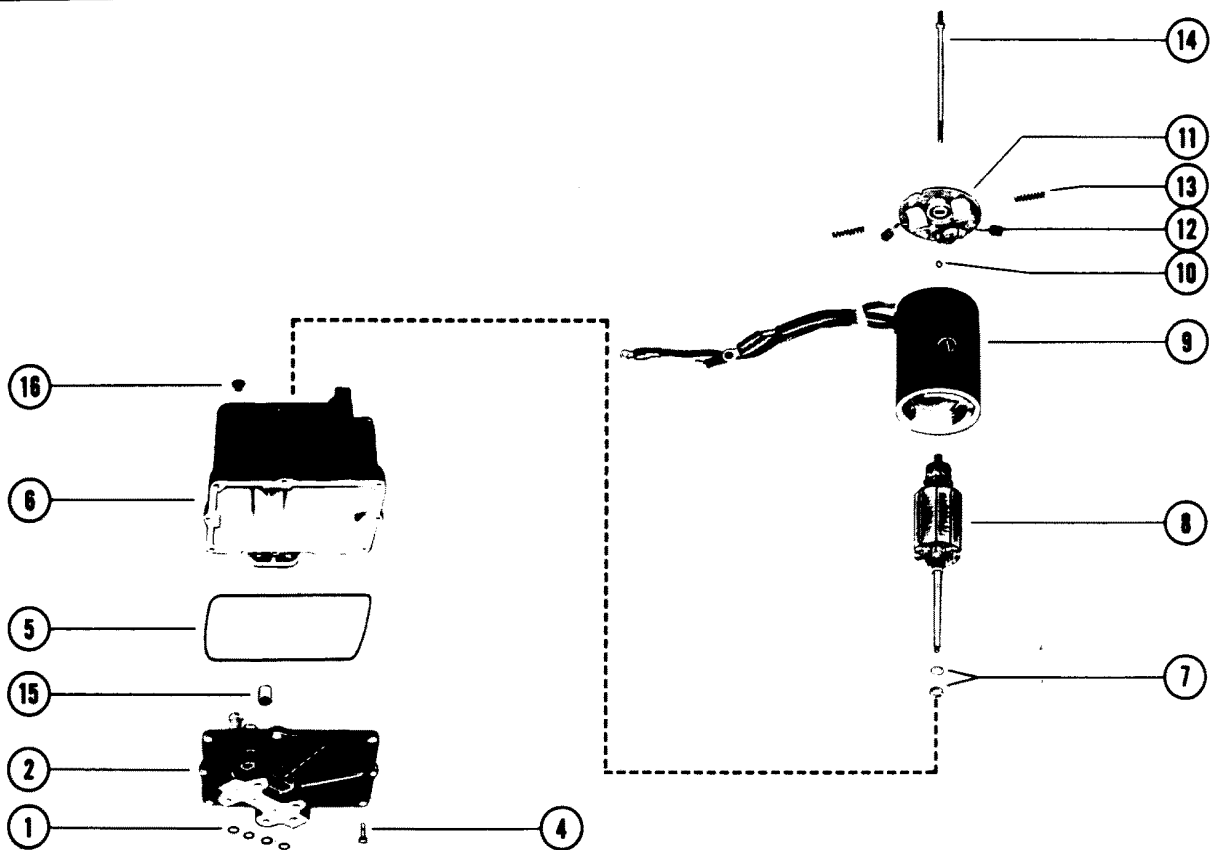


HYDRAULIC PUMP AND BRACKET(M0045-M19)

REF. NO.	PART NO.	SYM.	QTY.	DESCRIPTION
40	13-26993		1	LOCKWASHER, MOUNTING PLATE SCREW
41	10-90271		2	SCREW, HYDRAULIC PUMP
42	13-58643		2	LOCKWASHER, HYDRAULIC PUMP SCREW
43	87762		1	BRACKET, HUDRAULIC PUMP
44	10-69698		2	BOLT, BRACKET TO TRANSOM
45	13-58643		2	LOCKWASHER, BRACKET SCREW
46	11-46335		2	NUT, BRACKET SCREW

HYDRAULIC PUMP ASSEMBLY (PLASTIC RESERVOIR)

OFFSHORE



HYDRAULIC PUMP ASSEMBLY (PLASTIC RESERVOIR)

REF. NO.	PART NO.	SYM.	QTY.	DESCRIPTION
-	92975A6		1	HYDRAULIC PUMP ASSEMBLY
1	25-48171		4	"O" RING, HYDRAULIC PUMP
2	392-8317		1	VALVE BODY AND GEAR ASSEMBLY
4	10-69570		8	SCREW, VALVE BODY TO RESERVOIR
5	392-7735		1	SEAL, RESERVOIR TO VALVE BODY AND GEAR
6	392-7731		1	RESERVOIR ASSEMBLY (PLASTIC)
7	392-7732		AR	WASHER, THRUST - ARMATURE
8	392-7729		1	ARMATURE, FIELD AND FRAME
9	392-8261		1	FIELD AND FRAME ASSEMBLY
10	392-7730		1	BALL, COMMUTATOR END PLATE
11	392-8262		1	PLATE ASSEMBLY, COMMUTATOR END
12	392-2941		1	BRUSH SET, THRU - PLATE AND FRAME TO RESERVOIR
13	392-2529		1	SPRING SET, BRUSH TENSION
14	392-7733		1	BOLT SET, TRHU - PLATE AND FRAME TO RESERVOIR
15	392-7727		1	COUPLER AND SHAFT
16	392-7728		1	FILL PLUG, RESERVOIR

PARTS INDEX

Part Number	Description	Pg.	Ref. No.	Part Number	Description	Pg.	Ref. No.
11198	ADAPTOR	23	19	60572	BARREL, THROTTLE		
11199A2	THROTTLE POSITION INDICATOR	23	20	61364	CONTROL ROD	11	27
11200	ADAPTOR SHAFT	23	18		RETAINER, COWL HOLD DOWN	3	10
26901	BUMPER, PUMP TO BRACKET	65	20	61787	HOLDER, BRUSH	7	9
31640A1	TRIM TAB, GEAR HOUSING	55	75	61990	STA-STRAP, HARNESS AND CABLES	9	24
32435	PLATE, FACE-WATER PUMP	51	24	61990	STA-STRAP, WATER HOSES	17	15
37896	GUIDE BLOCK, LINK ROD	11	30	62351A1	RECTIFIER	9	17
38279	LATCH	11	34	62459	BALL JOINT, TRIGGER PLATE	11	2
39483	LATCH, CABLE	11	22	65799	LINK, LOCKING LEVER TO COVER	13	47
41038	SLEEVE	37	7	65800	SEAL, CARRIER	21	5
41052	PLUNGER, TILT LEVER RELEASE	31	14	66500	THRUST HUB	57	80
41094A3	LEVER, SPARK ADVANCE	11	6	67073A1	LINK ROD ASSEMBLY	11	32
41106	PLATE, TIE ROD (RIGHT OR LEFT)	29	29	67077	COVER, LOWER MOUNT CLAMP	27	9
41378A2	FUEL REGULATOR	41	1	67614	COVER, IGNITION COIL	5	23
41941	DIFFUSER, EXHAUST	27	30	67703	STRAP, SWIVEL BRACKET RETAINING	27	12
41941	DIFFUSER, EXHAUST	29	22	67703	STRAP, SWIVEL BRACKET RETAINING	29	3
42249	COVER, STARTER MOTOR (UPPER)	15	6	68042	STOP, RUBBER - STARTER MOTOR	5	16
42301A1	BEARING CARRIER (BASS/OFFSHORE-LHR)	55	66	68100	THRUST RING	55	59
42301A1	BEARING CARRIER (OFFSHORE-CLE-RHR)	55	66	68878A2	ALARM HORN AND WIRE ASSEMBLY	59	12
42301A2	BEARING CARRIER (OFFSHORE-RHR)	55	66	68879	COVER, ALARM HORN	59	13
42732A1	PLATE ASSEMBLY, DRIVE SHAFT HOUSING	27	19	69668	SEAL, DIVIDER PLATE	19	3
42732A3	PLATE ASSEMBLY, DRIVE SHAFT HOUSING	29	10	71602	YOKE, COWL HOLD DOWN	3	16
43429	PLATE, IGNITION	9	1	74406	BRACKET, SOLENOID MOUNTING	65	19
43567A1	BEARING CARRIER (BASS-RHR)	55	66	74407	BRACKET, MOUNTING - SOLENOID	65	16
44260	RETAINER, WATER TUBE SEAL	27	22	74897	PIVOT, TRIGGER PLATE	11	1
44260	RETAINER, WATER TUBE SEAL	29	13	75384	BRUSH SET	7	8
45559	TERMINAL BLOCK	39	9	75660	PLATE, DRIVE END	7	3
45915	TERMINAL BLOCK	17	18	75661	DRIVE	7	2
45915	TERMINAL BLOCK	61	6	76035	LINK ROD, TRIGGER PLATE	11	4
46265	BOOT, RUBBER	65	15	76867	COVER, STARTER MOTOR (LOWER)	15	9
48039	CAP, SPARK ADVANCE LEVER STOP SCREW	11	12	77376--2	SHIELD, AIR INLET	3	4
48752	INSERT, WATER PUMP BODY	51	27	77697	MOUNT, LOWER	27	4
52023	CAP, NYLON - ADJUSTING SCREW	15	36	77832	COVER, NYLON - SHIFT CABLE	13	46
52023	CAP, SPARK ADVANCE LEVER STOP SCREW	11	9	77833	LEVER, NYLON - SHIFT CABLE LOCKING	13	44
52023	CAP, THROTTLE LEVER STOP SCREW	11	21	77834	CAP, BARREL RETAINER - ANCHOR BAR	13	43
52100	WEAR PLATE, LINK ROD	11	33	77835	BRACKET, ANCHOR - CONTROL CABLES	11	28
54196A6	CARRIER ASSEMBLY, SEAL	21	4	77837	LEVER, THROTTLE CONTROL	11	13
56703	COLLAR, STARTER MOTOR	5	15	77980A8	BOTTOM COWL ASSEMBLY	3	15
57927	MOUNT, RUBBER-E.F.I. BOX	25	44	78148A1	SPACER ASSEMBLY EXTRA LONG	27	-
58707	HOLD DOWN, COWL (BUNGY CORD)	3	18	78148A1	SPACER ASSEMBLY EXTRA LONG	29	-
58809--6	TRIM MOLDING	3	13	78857--1	SHIELD, AIR INLET	3	2

PARTS INDEX

Part Number	Description	Pg.	Ref. No.	Part Number	Description	Pg.	Ref. No.
78858--2	SHIELD, AIR INLET	3	3	89491--1	KEY-Ignition Switch (1A)	43	-
78902	SHAFT,SHIFT-LOWER	51	38	89491--2	KEY-Ignition Switch (1B)	43	-
78956	SHIFT CAM	55	48	89491--3	KEY-Ignition Switch (1C)	43	-
79022	MARKER, TIMING	5	2	89491--4	KEY-Ignition Switch (1D)	43	-
79101	BRACKET,MOUNTING- TACHOMETER	59	2	89491--5	KEY-Ignition Switch (1E)	43	-
79215	END CAP, COMMUTATOR	7	11	89491--6	KEY-Ignition Switch (1F)	43	-
79216	ARMATURE	7	7	89491--7	KEY-Ignition Switch (2A)	43	-
79448	COVER,GEAR HOUSING	55	74	89491--8	KEY-Ignition Switch (2B)	43	-
79480	BRACKET,MOUNTING-TRIM GAUGE	59	6	89491--9	KEY-Ignition Switch (2C)	43	-
79610A10	TRIM CYLINDER (79879A1 REPAIR KIT)-	33	23	89491-10	KEY-Ignition Switch (2D)	43	-
79610A6	TRIM CYLINDER (79879A1 REPAIR KIT)	33	23	89491-11	KEY-Ignition Switch (2E)	43	-
79911	ROD,CLUTCH ACTUATOR	55	50	89491-12	KEY-Ignition Switch (2F)	43	-
79918A1	COVER ASSEMBLY, FLYWHEEL	5	1	89492	ADAPTOR	63	1
79932A7	SHIFT SHAFT ASSEMBLY (LONG)	11	38	89493	COUPLING	63	2
79932A8	SHIFT SHAFT ASSEMBLY (EXTRA LONG)	11	38	89494	MANUAL RELEASE (INCLUDES 2 "O" RINGS)	63	3
85024	SHAFT, TRIM CYLINDER- BASS	33	28	89495	PUMP (INCLUDES SCREWS)	63	4
85026	PLATE, PIVOT PIN	33	12	89499	DIPSTICK	63	8
85028A1	LEVER ASSEMBLY, TILT LOCK (STARBOARD)	31	11	89594A1	FOLLOWER, CAM	55	49
85030A1	LEVER ASSEMBLY, TILT LOCK (PORT)	31	11	89949A1	PLATE ASSEMBLY, TRANSOM BRACKET	33	18
85035	SPACER, TRANSOM BRACKET	33	15	90318	BRACKET,MOUNTING- STARTER SOLENOID	61	2
85994	BRACKET, SPEED LIMITER	45	1	90390A1	COVER, THERMOSTAT	17	10
86475--1	COUPLING, TILT LOCK LEVER	31	17	90391	REED CLAMP	17	24
86485A5	TRIM SENDER ASSEMBLY- BASS	31	31	90587	RESERVOIR	63	9
86485A6	TILT SWITCH ASSEMBLY- BASS	31	31	90645	DRIVE KIT	7	1
86580A1	BOTTOM YOKE	31	22	90762A2	CONTROL VALVE ASSEMBLY	65	6
86603	KNOB, PLUNGER	31	16	92459A4	HYDRAULIC PUMP ASSEMBLY	61	1
86926A2	REV LIMITER ASSEMBLY	45	17	92459A4	HYDRAULIC PUMP ASSEMBLY	63	-
87760	PLATE, MOUNTING	65	38	92876A1	STEERING LINK ASSEMBLY	31	27
87760	PLATE,MOUNTING	61	22	92975A6	HYDRAULIC PUMP ASSEMBLY	65	1
87762	BRACKET, HUDRAULIC PUMP	67	43	92975A6	HYDRAULIC PUMP ASSEMBLY	69	-
87762	BRACKET,HYDRAULIC PUMP	61	27	93860A1	FUEL PUMP ASSEMBLY,E.F.I.	39	1
87828	MOTOR, POWER TRIM	63	11	94275	CONNECTOR,SOLENOID TO SOLENOID	61	16
87871	COVER, INLET - HYDRAULIC HOSE	33	35	94451	BRACKET, FUEL PUMP	37	4
88075	RETAINER,HARNESSTO MOUNTING BRACKET	61	11	95067	COVER, EXHAUST MANIFOLD	19	4
88342	STRAP, SWITCH AND SENDER-BASS	31	33	96030	BRACKET, FUEL PUMP	39	7
88621	BRACKET, RETAINER	3	24	96282	COVER, TEMPERATURE SENDER	17	17
89484	END FRAME,DRIVE END	63	12	96283	COVER, CYLINDER	17	5
89485	ARMATURE	63	13	96455A9	TRIGGER PLATE ASSEMBLY	5	13
89486	FIELD AND FRAME	63	15	96532	CYLINDER HEAD	17	1
89487	BRUSH CARD	63	16	96598	MANUAL RELEASE (INCLUDES 3 "O" RINGS)	63	3
				96718A1	TEMPERATURE SENSOR ASSEMBLY	23	24
				97465	TEMPERATURE SENDER	17	16
				98709--2	PLATE, REED BLOCK MOUNTING	17	20
				98710	FUEL RAIL	41	19
				98711	REED BLOCK	17	22

PARTS INDEX

Part Number	Description	Pg.	Ref. No.	Part Number	Description	Pg.	Ref. No.
98712A4	THROTTLE SHAFT ASSEMBLY	23	5	10-28636	SCREW, LOWER END CAP TO CYLINDER BLOCK (3/4")	15	32
98713	BRACKET, FUEL REGULATOR	41	3	10-28636	SCREW, RETAINER	27	23
98715--4	THROTTLE SHUTTER	23	9	10-28636	SCREW, RETAINER	29	14
98716	HOLD DOWN, INJECTOR	41	12	10-28636	SCREW, PLATE TO TRANSOM BRACKET	33	13
98717	SPACER, HOLD DOWN	41	13	10-31830	BOLT, BRACKET TO TRANSOM (3-1/2")	61	28
98722A3	AIR INLET ASSEMBLY	23	2	10-32417	SCREW, FLYWHEEL PLATE	5	8
98810	CLAMP, SHUTTER SHAFT RETAINING	23	8	10-32417	SCREW, SOLENOID TO BRACKET (5/8")	65	21
98818	INJECTOR, FUEL	41	10	10-32627	SCREW	37	5
99169	PLATE, DIVIDER	19	2	10-35386	SCREW, MOUNT TO INLET	23	41
99170A1	TILT TUBE	33	9	10-35401	SCREW, ALARM HORN	59	16
99193	COVER, RELIEF VALVE	19	6	10-36070	SCREW, INLET COVER	35	38
99216	BOTTOM MOUNT, E.F.I. BOX	23	40	10-37562	SCREW, COVER TO CYLINDER BLOCK (1")	19	7
99217	TOP MOUNT, E.F.I. BOX	23	39	10-37562	SCREW, PUMP TO BRACKET	65	33
99264	PLATE, COWL BASE	3	25	10-37572	SCREW, TIMING MARKER	5	3
99294	BRACKET, FLYWHEEL COVER	15	27	10-39349	SCREW, MOUNTING PLATE TO BRACKET (3/4")	65	39
99303	PLATE, TIE ROD (SINGLE)	29	28	10-39349	SCREW, MOUNTING PLATE TO BRACKET (3/4")	61	23
99312A2	I. CONTROL BOX	25	49	10-41089	SCREW, THROTTLE LEVER TO SHAFT	23	15
99454	HOLD DOWN, COWL	45	10	10-41355	SCREW, SET-THROTTLE LEVER	23	17
99494	ADAPTOR	55	62	10-41508	SCREW, STARTER SOLENOID TO BRACKET (3/8")	61	13
99528A1	FUEL PUMP ASSEMBLY, E.F.I.	37	1	10-45218	SCREW, REV LIMITER GROUND	45	19
99666A1	THROTTLE LEVER ASSMEBLY	23	13	10-45862	SCREW, BRACKET	3	22
99690	PLATE, COWL HOLD DOWN	3	5	10-48060	SCREW, BRACKET TO PUMP	65	17
99779	CLIP	3	7	10-48409	SCREW, RETAINER	61	31
99936	ROD, THROTTLE CONTROL	11	26	10-52034	SCREW, INDICATOR RETAINING	23	21
N.S.S.	PINION GEAR (PART OF 43-43491A1 AND A3)	51	14	10-53016	SCREW, CRANKCASE TO CYLINDER BLOCK (1-1/4")	15	13
N.S.S.	REVERSE GEAR (PART OF 43-43491A1)	55	56	10-53576	SCREW, ANCHOR BRACKET (1-1/8")	11	29
N.S.S.	WASHER, THRU BOLT (AMERICAN BOSCH #WA3122)	7	6	10-55337	SCREW, THROTTLE LEVER/ADVANCE LEVER (1-3/4")	11	14
10-12405	SCREW, SPARK ADVANCE LEVER - STOP (1-1/4")	11	10	10-57583	SCREW, TEMPERATURE SENSOR	23	26
10-12666	SCREW, SWITCH BOX TO IGNITION PLATE (2-1/4")	9	3	10-60147	SCREW, PLATE TO CRANKCASE	17	28
10-13212	SCREW, UPPER MOUNT	29	32	10-60300	SCREW, SOLENOID TO BRACKET (3/4")	65	21
10-20055	SCREW, THROTTLE SHUTTER AND CLAMP	23	10	10-62269	VENT SCREW	65	3
10-20540	SCREW, SOLENOID TO IGNITION PLATE (5/8")	9	26	10-62568	SCREW	39	10
10-20646	SCREW, CABLE TO IGNITION PLATE (5/8")	9	10	10-62568	SCREW, HARNESS ATTACHING	65	10
10-20646	SCREW, RECTIFIER TO IGNITION PLATE (5/8")	9	18	10-62568	SCREW, WIRE ATTACHING	9	9
10-21091	SCREW, CONTROL VALVE TO PUMP	65	7	10-62568	SCREW, WIRE TO TERMINAL BLOCK (3/8")	61	7
10-22486	SCREW, CABLE LATCH TO THROTTLE LEVER	11	23				
10-24220	SCREW, SET - CYLINDER BLOCK (3/16")	15	19				
10-28635	SCREW	39	6				
10-28635	SCREW, "J" CLIP	23	30				
10-28636	SCREW, BRACKET TO REED BLOCK PLATE	41	5				

PARTS INDEX

Part Number	Description	Pg.	Ref. No.	Part Number	Description	Pg.	Ref. No.
10-64022	SCREW, ADJUSTING - CYLINDER BLOCK	15	34	10-76630	SCREW, ANCHOR BRACKET (1")	11	29
10-64022	SCREW, SPARK ADVANCE LEVER - STOP	11	7	10-76630	SCREW, BRACKET TO CRANKCASE	15	28
10-64022	SCREW, THROTTLE LEVER - STOP (2-1/8")	11	19	10-77065	SCREW, COVER TO CRANKCASE (2")	15	10
10-65210	SCREW, GEAR HOUSING (LONG)	57	79	10-77065	SCREW, THERMOSTAT COVER (2")	17	11
10-65384	SCREW, SPEED LIMITER TO BRACKET	45	2	10-79401	SCREW, STEERING LINK TO STEERING ARM (1-1/8")	31	28
10-66024	SCREW, TRIM TAB TO GEAR HOUSING	55	76	10-79953	SCREW, FILLER	65	4
10-66717	SCREW, CRANKCASE TO CYLINDER BLOCK (3-1/4")	15	13	10-79953	SCREW, GREASE FILLER	53	45
10-66727	SCREW, LOWER MOUNT CLAMP ATTACHING (1-1/4")	27	8	10-86581	SCREW, LOWER MOUNT	27	3
10-67755--1	SCREW, BRACKET TO TRANSOM (4-1/2")	33	4	10-87180	BOLT, TILT	33	7
10-67755--2	SCREW, BRACKET TO TRANSOM (6-1/2")	33	3	10-87926	SCREW, STRAP TO SWIVEL BRACKET-BASS	31	34
10-67769	SCREW, STRAP TO DRIVE SHAFT HOUSING	27	13	10-88417	SCREW, COVER ATTACHING (5/8")	27	10
10-67769	SCREW, STRAP TO DRIVE SHAFT HOUSING	29	4	10-88447	SCREW, IGNITION COIL COVER (1-5/8")	5	24
10-68513	SCREW, GROUND STRAP	5	27	10-88829	SCREW, CLAMP TO TRANSOM BRACKET	33	21
10-68586	SCREW, BRUSH AND HOLDER	7	10	10-89483	THRU BOLT, MOTOR (4-1/4")	63	18
10-68997	SCREW, FLYWHEEL HUB	5	9	10-89489	THRU BOLT, MOTOR (4-9/16")	63	18
10-69034	SCREW, UPPER END CAP TO CYLINDER BLOCK (1")	15	18	10-89996	SCREW, PLATE TO TRANSOM BRACKET	33	19
10-69035	SCREW, CABLE TO STARTER MOTOR	5	20	10-90271	SCREW HYDRAULIC PUMP (5/8")	61	25
10-69079	SCREW, TERMINAL BLOCK TO CYLINDER BLOCK	17	19	10-90271	SCREW, HYDRAULIC PUMP	67	41
10-69092	SCREW, IGNITION PLATE (1-1/4")	9	12	10-90285	SCREW, MOUNTING BRACKET (5/8")	61	3
10-69570	SCREW, VALVE BODY TO RESERVOIR	69	4	10-90417	SCREW, STATOR	5	11
10-69698	BOLT, BRACKET TO TRANSOM	67	44	10-90588	SCREW, RESERVOIR (INCLUDES "O" RING)	63	10
10-70732	SCREW, INLET TO ADAPTOR (2")-BOTTOM	23	33	10-91903	SCREW, PLATE (1-3/4")	27	34
10-70732	SCREW, SPACER TO TRANSCOM BRACKET	33	16	10-92913	SCREW, PLATE (3/4")	27	34
10-73657	SCREW, ANCHOR BRACKET (1-1/2")	11	29	10-93886	SCREW, CONNECTING ROD	21	13
10-73657	SCREW, COVER TO CRANKCASE (1-1/2")	15	7	10-96411	SCREW, WATER PUMP (2-1/4")	51	31
10-74191	SCREW, INLET TO ADAPTOR (5/16" X 3-1/4")	23	36	10-98256	SCREW, CLAMP TO SWIVEL BRACKET-BASS	31	36
10-74727	SCREW, GEAR HOUSING (EXTRA LONG)	57	79	10-98256	SCREW, PLATE TO BOTTOM COWL	3	26
10-74824	SCREW, COVER AND PLATE TO CYLINDER BLOCK (1-1/4")	19	5	10-98534	SCREW, CYLINDER HEAD (2")	17	3
10-74824	SCREW, CYLINDER COVER TO CYLINDER HEAD (1-1/4")	17	7	10-99272	SCREW, REEDS TO REED BLOCK	17	25
10-74968	BOLT, THRU	7	4	10-99304	SCREW, REED BLOCK ATTACHING	17	26
				10-99305	SCREW, INLET TO ADAPTOR (3-1/2")-TOP	23	34
				11-20061	NUT, HOLD DOWN STUD	41	16
				11-20110	NUT	37	6
				11-20110	NUT (#10)	65	12
				11-20110	NUT, BRACKET SCREW	3	23
				11-20110	NUT, BRACKET SCREW	45	3
				11-20110	NUT, PUMP BOLT	65	18
				11-20220	NUT, TILT BOLT	33	8

PARTS INDEX

Part Number	Description	Pg.	Ref. No.	Part Number	Description	Pg.	Ref. No.
11-20361	NUT, SOLENOID SCREW ..	65	22	11-40063--2	NUT	37	2
11-20361	NUT,WATER PUMP STUD ..	51	33	11-40063--3	NUT	37	3
11-20586	NUT, CABLE LATCH SCREW	11	25	11-45076	NUT, IGNITION COIL		
11-20586	NUT, LINK ROD	11	36		TERMINAL	5	25
11-20586	NUT, LINK ROD TO SHIFT			11-45076	NUT, LINK ROD	11	3
	SHAFT	13	42	11-45076	NUT, RECTIFIER		
11-20586	NUT, PLATE SCREW	3	27		TERMINALS	9	19
11-20586	NUT, RUBBER MOUNT			11-45076	NUT, SOLENOID TERMINALS	9	29
	(BOTTOM) (FULL)	25	47	11-45076	NUT, SWITCH BOX		
11-20890	NUT, STARTER MOTOR				TERMINAL	9	7
	TERMINAL	5	18	11-45592	NUT,WATER PUMP STUD ..	51	35
11-21825	NUT, FUSE TERMINAL	65	29	11-46335	NUT, BRACKET SCREW ...	67	46
11-21825	NUT,FUSE TERMINAL	61	21	11-46438	NUT, BALL JOINT	11	5
11-22496	NUT, HOLD DOWN (JAM) ..	45	11	11-52707A1	PROPELLER NUT	57	82
11-24883	NUT,BRACKET SCREW	61	30	11-52901	NUT, FLYWHEEL	5	5
11-25096	NUT, LOWER MOUNT			11-56041	NUT, TILT TUBE (7/8-14) ...	33	11
	SCREW	27	6	11-64015	NUT, JAM - ADJUSTING		
11-25269	NUT, STRAP TO DRIVE				SCREW	15	35
	SHAFT HOUSING SCREW	27	14	11-64015	NUT, SPARK ADVANCE		
11-25269	NUT, STRAP TO DRIVE				STOP SCREW	11	8
	SHAFT HOUSING SCREW	29	5	11-64015	NUT, THROTTLE LEVER		
11-26419	TACHOMETER TERMINAL				STOP SCREW	11	20
	(#8-32)	59	3	11-68219	NUT, INLET COVER SCREW	35	40
11-26419	NUT,STARTER SOLENOID			11-68219	NUT, SPARK ADVANCE		
	TERMINAL (#8-32)	61	14		LEVER STOP SCREW ...	11	11
11-26419	NUT,TRIM GAUGE			11-73651	NUT, FLYWHEEL COVER		
	TERMINAL (8-32)	59	9		STUD	15	26
11-26484	NUT (5/16")	65	14	11-89481	NUT, THRU BOLT AND STUD	63	19
11-26484	NUT, PUMP SCREW	65	34	11-93543	NUT, IGNITION SWITCH ...	43	7
11-26484	NUT, SOLENOID TERMINALS	9	30	11-94330	NUT,STARTER SOLENOID		
11-30506	NUT, EXTENSION STUD ...	27	33		TERMINAL (1/4-20)	61	15
11-30506	NUT, EXTENSION STUD ...	29	25	11-99306	NUT, FUEL REGULATOR ...	41	2
11-34059	NUT,MOUNTING BRACKET			12-20028	WASHER, REED BLOCK		
	TO HYDRAULIC PUMP ..	61	5		SCREW	17	27
11-34862	NUT, TILT TUBE (1"-14)	33	11	12-20128	WASHER, CLEVIS PIN	3	21
11-34863	NUT, POWERHEAD STUD			12-20128	WASHER, RETAINER RIVET	3	12
	(THIN)	27	29	12-20260	SEALING WASHER	65	5
11-34863	NUT, POWERHEAD STUD			12-20260	WASHER,GREASE FILLER		
	(THIN)	29	21		AND DRAIN SCREW	53	47
11-34863	NUT, STEERING LINK			12-20533	WASHER, EXTENSION STUD	27	32
	SCREW	31	29	12-20533	WASHER, EXTENSION STUD	29	24
11-34932	NUT, POWERHEAD STUD			12-20670	WASHER, TEMPERATURE		
	(FULL)	27	29		SENSOR SCREW	23	28
11-34932	NUT, POWERHEAD STUD			12-21249	WASHER, PLATE SCREW ..	17	29
	(FULL)	29	21	12-21273	WASHER, INDICATOR		
11-34933	NUT, GEAR HOUSING STUD	27	16		SCREW	23	23
11-34933	NUT, GEAR HOUSING STUD	29	7	12-21631	WASHER, LATCH	11	35
11-34933	NUT, PLATE MOUNTING			12-22248	WASHER, HOLD DOWN ...	45	13
	STUD	29	31	12-22753	WASHER (5/16")	65	13
11-34933	NUT, TOP MOUNT STUD ...	27	27	12-22753	WASHER, ANCHOR		
11-34933	NUT,DRIVE SHAFT				BRACKET SCREW	13	48
	HOUSING STUDS	55	78	12-22753	WASHER, INLET SCREW ..	23	37
11-35000	NUT, BRACKET SCREW ...	33	6	12-22887	WASHER, FLYWHEEL		
11-35000	NUT, MOUNTING STUD	29	19		COVER STUD	15	25
11-35053	NUT, HOLD DOWN (NYLON)	45	12	12-24664	WASHER, LINK ROD	13	41
11-35521	NUT, NYLON-COVER TO			12-24676	WASHER, THROTTLE		
	CLAMP SCREW	27	11		CLAMP SCREW	23	12
11-35814	NUT, BRACKET STUD	45	6	12-24676	WASHER,ALARM HORN ...	59	15
11-35921	NUT, PINION GEAR TO			12-25909	WASHER, CYLINDER HEAD		
	DRIVE SHAFT	51	15		SCREW	17	4

PARTS INDEX

Part Number	Description	Pg.	Ref. No.	Part Number	Description	Pg.	Ref. No.
12-28421	WASHER, BRACKET SCREW	33	5	12-77674	WASHER, RUBBER-SHIFT		
12-29245	WASHER, BRACKET SCREW	41	7		SHAFT BUSHING	53	44
12-29245	WASHER, CLAMP SCREW-			12-78910	WASHER, SPRING	55	52
	BASS	31	37	12-85022	WASHER, TRANSOM		
12-29245	WASHER, HOLD DOWN				BRACKET-BASS	33	25
	STUD	41	15	12-85065	THRUST RING	55	59
12-29245	WASHER, INLET SCREWS			12-87161	WASHER, TILT LOCK LEVER	31	9
	(1/4")	23	35	12-89482	WASHER, THRUST-		
12-29245	WASHER, PLATE SCREW	33	14		ARMATURE	63	14
12-29245	WASHER, RUBBER MOUNT	25	46	12-96457	WASHER, FUSE TERMINAL	65	27
12-29245	WASHER, SPACER SCREW	33	17	12-96457	WASHER, FUSE TERMINAL	61	20
12-29245	WASHER, THROTTLE			12-99456	WASHER, HOLD DOWN	45	14
	CONTROL ROD	13	51	13-26992	LOCKWASHER	39	5
12-29245	WASHER, WATER PUMP			13-26992	LOCKWASHER, "J" CLIP		
	SCREW AND STUD	51	32		SCREW	23	31
12-34931	WASHER, STEERING LINK			13-26992	LOCKWASHER, BRACKET		
	TO STEERING ARM	31	30		SCREW	41	6
12-36001	WASHER, WATER PUMP			13-26992	LOCKWASHER, CONTROL		
	STUD	51	34		VALVE SCREW	65	8
12-36042	WASHER, BRACKET STUD	45	9	13-26992	LOCKWASHER, FUSE		
12-36042	WASHER, IGNITION PLATE				TERMINAL	65	28
	SCREW	9	14	13-26992	LOCKWASHER, LOWER END		
12-45175	WASHER, POWERHEAD				CAP SCREW	15	33
	STUD	27	28	13-26992	LOCKWASHER, RETAINER		
12-45175	WASHER, POWERHEAD				SCREW	27	24
	STUD	29	20	13-26992	LOCKWASHER, RETAINER		
12-45176	WASHER, GEAR HOUSING				SCREW	29	15
	STUD	27	15	13-26992	LOCKWASHER, SOLENOID		
12-45176	WASHER, GEAR HOUSING				TO IGNITION PLATE		
	STUD	29	6		SCREW	9	27
12-45176	WASHER, PLATE			13-26992	LOCKWASHER, STARTER		
	MOUNTING STUD	29	30		MOTOR TERMINAL	5	17
12-45176	WASHER, PLATE SCREW	27	35	13-26993	LOCKWASHER, IGNITION		
12-45176	WASHER, TOP MOUNT				PLATE SCREW	9	13
	STUD	27	26	13-26993	LOCKWASHER, MOUNT		
12-45176	WASHER, UPPER MOUNT				SCREW	23	42
	SCREW	29	33	13-26993	LOCKWASHER, MOUNTING		
12-45176	WASHER, DRIVE SHAFT				PLATE SCREW	67	40
	HOUSING STUDS	55	77	13-26993	LOCKWASHER, STARTER		
12-47247	WASHER, NEEDLE				MOTOR COVER SCREW	15	8
	LOCATING	21	14	13-26993	LOCKWASHER, MOUNTING		
12-47533	WASHER, SUBSTITUTE FOR				PLATE SCREW	61	24
	THERMOSTAT	17	8	13-26995	LOCKWASHER,		
12-49221--1	WASHER, FLYWHEEL				TEMPERATURE SENSOR		
	COVER STUD	15	24		SCREW	23	27
12-49339	WASHER, LOWER MOUNT			13-26995	LOCKWASHER, THROTTLE		
	SCREW	27	5		LEVER SCREW	23	16
12-54012	WASHER, MOUNTING STUD	29	18	13-26995	LOCKWASHER, TRIM GAUGE		
12-56720	WASHER, MOUNTING				TERMINAL (#8)	59	10
	BRACKET SCREW	61	4	13-26996	LOCK WASHER, INLET		
12-57238	WASHER, SHIELD RIVET	3	9		COVER SCREW	35	39
12-67264	WASHER, IGNITION PLATE			13-26996	LOCKWASHER, CLAMP		
	SCREW (RUBBER)	9	15		SCREW	33	22
12-67264	WASHER, RUBBER	45	8	13-26996	LOCKWASHER, GROUND		
12-67670	WASHER, THRUST - SWIVEL				SCREW	45	18
	BRACKET	31	24	13-26996	LOCKWASHER, INDICATOR		
12-68229	WASHER, FLYWHEEL	5	6		SCREW	23	22
12-68410	WASHER, SPARK ADVANCE			13-26996	LOCKWASHER, STATOR		
	LEVER	11	18		SCREW	5	12

PARTS INDEX

Part Number	Description	Pg.	Ref. No.	Part Number	Description	Pg.	Ref. No.
13-29720	WAVE WASHER, LINK ROD	11	39	16-88876	STUD, PLUNGER	31	15
13-29720	WAVE WASHER, THROTTLE CONTROL ROD	13	50	16-90589	THUR STUD (SHORT)	63	11
13-58643	LOCKWASHER, BRACKET SCREW	67	45	16-90590	THUR STUD (LONG)	63	11
13-58643	LOCKWASHER, HYDRAULIC PUMP SCREW	67	42	16-96908	STUD, POWERHEAD (2-1/8")	15	2
13-58643	LOCKWASHER,BRACKET SCREW	61	29	16-96909	STUD, POWERHEAD (7")	15	2
13-58643	LOCKWASHER,HYDRAULIC PUMP SCREW	61	26	16-96910	STUD, POWERHEAD (5-3/4")	15	2
13-78854	WAVE WASHER, BOTTOM YOKE	31	21	16-97008	STUD, POWERHEAD (2")	15	2
13-88750	WAVE WASHER, TILT TUBE	33	10	16-99449	STUD, TIE ROD, EXHAUST PLATE (SHORT)	29	27
14-31210	TAB WASHER,PROPELLER NUT	57	81	16-99791	STUD, TOP MOUNT	27	25
14-79447	TAB WASHER,GEAR HOUSING COVER	55	73	17-12146	POP RIVET, RETAINER	3	11
15-31535A1	SHIM,BEARING CARRIER (.002-3-5-10-20)	55	61	17-12147	POP RIVET, SHIELD	3	8
15-47397A1	SHIM,OUTER RACE (.002-3-5-10)	55	69	17-20033	DOWEL PIN, GEAR HOUSING LOCATING	51	4
15-57007A1	SHIM ASSEMBLY, ROLLER BEARING TO GEAR HOUSING	51	16	17-20033	DOWEL PIN, LOCATING	15	3
16-21184	STUD, HOLD DOWN	41	14	17-20033	DOWEL PIN, LOCATING	27	20
16-30667	STUD, WATER PUMP (3-1/8")	51	8	17-20033	DOWELL PIN, LOCATING	29	11
16-42355	STUD, MOUNTING-LOWER	29	16	17-20033	PIN, LOCATIIG-SPACER EXTRA LONG	27	-
16-46857	STUD, BRACKET TO CYLINDER BLOCK (SHORT)	45	5	17-20033	PIN, LOCATING-SPACER EXTRA LONG	29	-
16-56295	STUD, DRIVE SHAFT HSG./GEAR HSG. (LONG)	27	2	17-24800	ROLL PIN, THROTTLE SHAFT	23	6
16-56295	STUD, DRIVE SHAFT HSG./GEAR HSG. (LONG)	29	2	17-30545	PIN, DRIVE SHAFT	51	13
16-56297	STUD, WATER PUMP (3-3/8")	51	7	17-42671	CROSS PIN,RATCHET	55	64
16-56298	STUD, TIE ROD, DRIVE SHAFT HOUSING (LONG)	29	26	17-47175	LOCATING PIN, LEVER AND COVER FASTENING	13	45
16-57920	STUD, GEAR HOUSING (2-1/16")-LONG	51	6	17-57629	RIVET, YOKE TO PAN	3	17
16-66021	STUD, EXTENSION TO PLATE	27	31	17-58712	CLEVIS PIN, HOLD DOWN	3	19
16-66021	STUD, EXTENSION TO PLATE	29	23	17-67296	DOWEL PIN, CYLINDER BLOCK (BEARING RACE)	15	4
16-66969	STUD, FLYWHEEL COVER TO BRACKET (1")	15	22	17-67706A2	SWIVEL PIN AND STEERING ARM ASSEMBLY	31	25
16-74730	STUD, GEAR HOUSING (7-1/16")-EXTRA LONG	51	6	17-69745	PIN, LEVER TO COUPLING	31	18
16-74732	STUD, DRIVE SHAFT HSG./GEAR HSG. (EXTRA LONG)	27	2	17-78905	CROSS PIN,RATCHET RHR/LRH	55	64
16-74732	STUD, DRIVE SHAFT HSG./GEAR HSG. (EXTRA LONG)	29	2	17-78906	PIN,SPRING LOCATOR	55	53
16-78638	STUD, GEAR HOUSING (3-1/8")-LONG	51	5	17-78909	DETENT PIN,RATCHET	55	54
16-78639	STUD, GEAR HOUSING (9")-EXTRA LONG	51	5	17-85020	PIVOT PIN, TRIM CYLINDER-BASS	33	27
				17-91862	PIN, TRIM CYLINDER-BASS	33	30
				17-99317	RIVET, CRANKCASE	15	12
				18-21071	COTTER PIN, CLEVIS PIN	3	20
				18-21071	COTTER PIN, THROTTLE CONTROL ROD	13	52
				18-93861	COTTER PIN, COUPLING SPRING	31	20
				19-37630	PLUG, SHIFT SHAFT HOLE (LHR)	3	28
				19-64649	PLUG, DRIVE SHAFT HOUSING	27	17
				19-64649	PLUG, DRIVE SHAFT HOUSING	29	8
				21-42623	CHECK VALVE	23	4
				21-42623	CHECK VALVE, BLEED HOSE (PRESS-IN-11/16"LONG)	17	34
				21-42657A1	CHECK VALVE ASSEMBLY	15	11
				21-42658	CHECK VALVE, BOTTOM	17	35
				22-32820	CONNECTOR, HOSE	39	11

PARTS INDEX

Part Number	Description	Pg.	Ref. No.	Part Number	Description	Pg.	Ref. No.
22-38214	ELBOW	65	37	23-86600	BUSHING, TILT LEVER		
22-38407	PLUG, CYLINDER BLOCK (WATER JACKET)	15	20	23-86637	RELEASE	31	12
22-47540	PIPE PLUG, GEAR HOUSING OFFSHORE	51	1	23-94453	BEARING, TRIM SHAFT- BASS	33	29
22-47945	PIPE PLUG, GEAR HOUSING (BASS)	51	1	23-98621	BUSHING, SWITCH BOX SCREW	9	5
22-56759	FITTING, BLEED HOSE (PRESS IN)	17	31	23-99457	SLEEVE, LUBRICATION	51	10
22-59169	TEE FITTING	23	32	23-99509	BUSHING, HOLD DOWN	45	15
22-59169	TEE FITTING, BLEED HOSE	17	37	23-99813A1	PAD, RUBBER, HOLD DOWN	45	16
22-62006	ELBOW	39	4	24-20099	BUSHING KIT, TRIM CYLINDER	33	31
22-63187	CONNECTOR	37	8	24-20099	SPRING, CABLE LATCH TO THROTTLE LEVER	11	24
22-67892	SCREW, DRAIN (MAGNETIC)	53	46	24-20099	SPRING, LINK ROD TO GUIDE BLOCK	11	31
22-68727	FITTING, ELBOW-WATER HOSES	17	12	24-30316	SPRING, TRIM CYLINDER- BASS	33	26
22-68727	FITTING, WATER OUTLET	19	10	24-34576	SPRING, DRIVE SHAFT PIN	51	12
22-68728	FITTING, THERMOSTAT COVER TO WATER HOSES	17	14	24-68784	SPRING, THROTTLE AND SPARK ADVANCE LEVER	11	17
22-69424	FITTING (90 DEGREES)	65	36	24-78962	SPRING, RETAINING-CROSS PIN	55	55
22-70847	ADAPTOR	65	35	24-79910	SPRING, COMPRESSION	55	51
22-71191	ELBOW	23	3	24-85367	SPRING, TILT LEVER RELEASE	31	13
22-74036	FITTING, GREASE	31	6	24-88049	SPRING, TENSION - COUPLING	31	19
22-86987	PIPE PLUG, CYLINDER BLOCK	45	4	24-91821	SPRING, THROTTLE RETURN	13	53
22-87207	CONNECTOR, HYDRAULIC HOSE	33	34	24-98894	SPRING, THROTTLE	23	7
22-90824	TEE, WATER HOSE	17	30	25-12602	GROMMET, HYDRAULIC HOSES	33	33
22-94090	ELBOW, BLEED HOSE	17	36	25-25439	"O" RING, SHIFT SHAFT BUSHING	53	41
22-94273	FITTING	39	2	25-30271	RING, RUBBER (DRIVE SHAFT)	51	36
22-97476	FITTING, WATER TUBE	51	3	25-31534	"O" RING, BEARING CARRIER	55	71
23-12245	BUSHING, THROTTLE LEVER	23	14	25-33145	"O" RING, WATER PUMP	51	19
23-26600	BUSHING, NYLON - LINK ROD	11	40	25-33466	"O" RING, SWIVEL BRACKET - UPPER	31	4
23-27132	BUSHING, SHIFT SHAFT	11	37	25-45507	GROMMET, INLET COVER	35	37
23-29804	SLEEVE, GUIDE-WATER INLET TUBE	51	37	25-45711	O RING, TEMPERATURE SENSOR	23	25
23-42356	SPACER, MOUNTING STUD	29	17	25-48171	"O" RING (SAME AS REF. NO. 2)	65	-
23-43353	SPACER, FUEL REGULATOR	41	4	25-48171	"O" RING, HYDRAULIC PUMP	65	2
23-55164	BUSHING, THROTTLE LEVER	11	15	25-48171	"O" RING, HYDRAULIC PUMP	69	1
23-55171	BUSHING, SPARK ADVANCE LEVER	11	16	25-48171	"O" RING, TILT LOCK LEVER	31	10
23-67268	BUSHING, IGNITION PLATE SCREW	9	16	25-54029	"O" RING, END CAP	15	15
23-67268	SPACER, BRACKET STUD	45	7	25-62700	"O" RING, END CAP (3'1/4" I.D.)	15	30
23-67269	SPACER, FLYWHEEL COVER STUD	15	23	25-88341	GROMMET, SWIVEL BRACKET (BASS)	31	7
23-67668	SPACER, SWIVEL BRACKET - UPPER	31	5	25-89497	"O" RING, RESERVOIR END	63	7
23-67669	BUSHING, SWIVEL BRACKET - LOWER AND UPPER	31	3	25-89498	"O" RING, MOTOR END	63	6
23-77631A2	BUSHING ASSEMBLY, SHIFT SHAFT	53	42	25-99123	GROMMET, HOLD DOWN	41	11
23-79697	SPACER, ALARM HORN	59	14	26-38970	SEAL, WATER TUBE	27	21
23-85872	BUSHING, TRIM HARNESS	43	3				

PARTS INDEX

Part Number	Description	Pg.	Ref. No.	Part Number	Description	Pg.	Ref. No.
26-38970	SEAL, WATER TUBE	29	12	31-93496	ROLLER BEARING, END CAP	15	16
26-38970	SEAL,RUBBER-WATER INLET TUBE	51	28	32-11635	TUBE, WATER BLOCKOFF	15	37
26-41953	OIL SEAL, END CAP	15	17	32-49471	WATER HOSE	19	11
26-41953	OIL SEAL, END CAP	15	31	32-61649--3	HOSE, FUEL	41	17
26-76384	OIL SEAL,SHIFT SHAFT BUSHING	53	43	32-66285--4	HOSE, FUEL	23	38
26-76868	OIL SEAL,BEARING CARRIER (INNER)	55	68	32-66285--4	HOSE, FUEL	41	8
26-79884	OIL SEAL, WATER PUMP BASE	51	22	32-66285--4	HOSE, PULSE	17	33
26-85023	OIL SEAL, SWIVEL BRACKET	31	8	32-67295	TUBE, WATER (LONG)	27	18
26-87735	OIL SEAL, SWIVEL BRACKET (LOWER)	31	2	32-67295	TUBE, WATER (LONG)	29	9
26-89238	OIL SEAL, WATER PUMP BASE	51	21	32-74729	TUBE, WATER (EXTRA LONG)	27	18
26-94219	SEAL, FUEL INJECTOR	41	9	32-74729	TUBE, WATER (EXTRA LONG)	29	9
27-11338	GASKET, SEALING	15	5	32-77653-77	HOSE, WATER DISTRIBUTION	17	13
27-41246	GASKET, CYLINDER HEAD	17	2	32-89023A2	HOSE, HYDRAULIC - STARBOARD	33	32
27-41247A1	GASKET SET	1	-	32-89024A1	HOSE, HYDRAULIC - PORT	33	32
27-62386	GASKET, THERMOSTAT	17	9	32-97451--1	WATER TUBE	51	2
27-78298	GASKET, REED BLOCK HOUSING	17	21	32-99130122	HOSE, BLEED	17	32
27-85608	GASKET, LOWER-WATER PUMP	51	23	32-99387-79	HOSE	39	8
27-85609	GASKET, UPPER-WATER PUMP	51	25	33-97180	SPARK PLUG (NGK-BUHW)	5	30
27-85610	GASKET, WATER PUMP	51	18	34-93228A1	REED ASSEMBLY	17	23
27-87775	GASKET,INLET COVER	35	36	35-60494--1	FUEL FILTER	37	10
27-88907	GASKET, RELIEF VALVE PLATE	19	8	35-60494A4	FUEL FILTER KIT	37	9
27-90484	GASKET, DIVIDER PLATE	19	1	35-89496	FILTER	63	5
27-96278	GASKET, CYLINDER COVER	17	6	35-94865	FUEL FILTER	39	3
27-99176	GASKET, EXHAUST PLATE	19	9	37-91879A1	DECAL SET	1	-
27-99316	GASKET, AIR INLET	23	1	37-91879A1	DECAL SET	3	14
28-30281	KEY,LOCATING-BEARING CARRIER	55	72	39-44395A12	PISTON RING ASSEMBLY	21	10
28-56654	KEY,IMPELLER DRIVE	51	30	39-67377	RING, SEALING-CRANKSHAFT (.124 THICK)	21	6
29-67483	NEEDLE BEARING, PISTON END	21	16	40-52035	LOCK RING, PISTON	21	11
30-35914	BALL BEARING-REVERSE GEAR	55	60	43-43491A1	FOWARD GEAR ASSEMBLY	55	57
30-41421	BALL BEARING, CRANKSHAFT (LOWER)	21	2	43-43491A3	FORWARD GEAR ASSEMBLY	55	57
31-30956	ROLLER BEARING, BEARING CARRIER	55	67	44-94148	PROPELLER SHAFT (BASS-RHR)	55	65
31-35934A1	ROLLER BEARING, DRIVE SHAFT	51	9	44-98418	PROPELLER SHAFT (OFFSHORE-RHR&LHR/BASS-LHR)	55	65
31-53079A1	ROLLER BEARING, DRIVE SHAFT	51	17	45-41509A2	DRIVE SHAFT ASSEMBLY (EXTRA LONG)	51	11
31-67526A1	ROLLER BEARING ASSEMBLY, CRANKSHAFT END	21	15	45-98682A1	DRIVE SHAFT ASSEMBLY (LONG)	51	11
31-73363	ROLLER BEARING, FORWARD GEAR	55	58	46-96146A6	WATER PUMP BASE ASSEMBLY	51	20
31-78172A1	ROLLER BEARING	55	60	46-96148A1	WATER PUMP BODY ASSEMBLY	51	26
31-78172A1	TAPERED ROLLER BEARING	55	70	47-89984	IMPELLER,WATER PUMP	51	29
				50-44415	STARTER MOTOR	5	14
				50-44415	STARTER MOTOR ASSEMBLY	7	-
				52-42672	RATCHET,SLIDING CLUTCH	55	63
				52-78959	RATCHET,SLIDING CLUTCH	55	63
				53-29641	"E" RING,RETAINING-SHIFT SHAFT	51	39

PARTS INDEX

Part Number	Description	Pg.	Ref. No.	Part Number	Description	Pg.	Ref. No.
53-67446	RETAINING RING, BALL BEARING	21	3	84-86322A7	WIRE,TRIM GAUGE (BLACK-1-1/2")	59	4
53-67684	RETAINING RING, BOTTOM YOKE	31	23	84-86323A5	WIRE,TRIM GAUGE (PURPLE-1-1/2:)	59	4
53-78907	RETAINING RING	53	40	84-86353A20	WIRING HARNESS ASSEMBLY	43	1
54-54428	CLAMP, FUEL HOSE	41	18	84-86396A8	HARNESS	59	11
54-54457	"J" CLIP, ANCHOR BRACKET SCREW	13	49	84-88439A14	BATTERY CABLE, POSITIVE	9	20
54-54457	"J" CLIP, INJECTOR HARNESS SUPPORT	23	29	84-88439A2	BATTERY CABLE, NEGATIVE	9	20
54-54457	CLAMP, SWITCH AND SENDER LEADS-BASS	31	35	84-88807A6	CABLE ASSEMBLY (BLACK)	3	6
54-67076	CLAMP, LOWER MOUNT	27	7	84-88807A6	GROUND STRAP, IGNITION COIL (BLACK)	5	26
54-68424	CLAMP, WATER HOSE	19	12	84-93388A1	WIRE, PLATE TO STARTER MOTOR (BLACK)	5	21
54-75275	CLAMP, HYDRAULIC HOSE	33	20	84-93389A5	WIRE, SOLENOID TO STARTER MOTOR (YELLOW)	5	19
54-75275	CLAMP, THROTTLE RETURN SPRING	13	54	84-95084A2	WIRE ASSEMBLY, FUSE	9	23
54-88512	CLAMP, HYDRAULIC HOSE	33	20	84-96220A4	HARNESS, ENGINE	9	21
79-90941A3	TRIM GAUGE	59	5	84-98866A1	HARNESS ASSEMBLY, E.F.I.	23	43
79-93953A1	TACHOMETER	59	1	84-99215A25	CABLE, HIGH TENSION	5	28
84-60871A10	WIRE, SWITCH BOX	9	8	85-63709A1	PROTECTOR, HIGH TENSION CABLE	5	29
84-62310A2	CABLE ASSEMBLY, SWITCH BOX TO SWITCH BOX	9	6	85-86319	INSULATOR, WIRING HARNESS	43	8
84-65017A14	HARNESS, TILT SWITCH-BASS	31	32	87-86320	MICRO SWITCH	43	4
84-65017A15	HARNESS, TRIM SENDER-BASS	31	32	87-88107	IGNITION SWITCH (See Below for Replacement Keys)	43	6
84-65999A10	CABLE ASSEMBLY (BLACK)	25	45	87-91941	TOGGLE SWITCH	43	5
84-65999A10	WIRE, SOLENOID TO SOLENOID (BLACK)	65	24	88-72729	LIGHT BULB,TRIM GAUGE	59	7
84-65999A2	CABLE ASSEMBLY, UPPER MOUNT (BLACK)	9	28	88-79023A10	FUSE (110 AMP)	61	19
84-65999A3	CABLE ASSEMBLY, BLACK	9	11	88-79023A90	FUSE (90 AMP)	65	26
84-65999A4	WIRE, SOLENOID TO GROUND (BLACK)	65	25	88-79091	FUSE	9	22
84-65999A6	WIRE, CIRCUIT BREAKER (BLACK)	65	32	88-79091	FUSE (20 AMP)	61	10
84-69738A1	HARNESS ASSEMBLY, COIL TO SWITCH BOX (#2, 4 AND 6)	5	31	88-79137--1	CIRCUIT BREAKER (40 AMP)	65	30
84-69739A2	HARNESS ASSEMBLY, COIL TO SWITCH BOX (#1, 3 AND 5)	5	31	88-79888	SOCKET,TRIM GAUGE	59	8
84-79138A1	BATTERY WIRE (BLACK)	65	23	89-68258	STARTER SOLENOID	9	25
84-79138A9	BATTERY CABLE,BLACK (NEGATIVE)	61	8	89-68258	STARTER SOLENOID	65	11
84-79139A12	BATTERY CABLE,RED (POSITIVE)	61	18	89-96158	STARTER SOLENOID	61	12
84-79139A2	WIRE, SOLENOID TO SOLENOID (RED)	65	24	90-11115	OWNER'S GUIDE	1	-
84-79139A9	BATTERY WIRE (RED)	65	23	90-14347	PARTS MANUEL	1	-
84-79147A3	CONNECTOR AND HARNESS (WITH FUSE)	65	9	249-6080A5	FLYWHEEL ASSEMBLY, COMPLETE	5	7
84-79147A3	HARNESS ASSEMBLY,HYDRAULIC PUMP	61	9	332-7778A3	SWITCH BOX	9	2
84-79148A1	WIRE, CIRCUIT BREAKER (RED)	65	31	339-7370A13	COIL ASSEMBLY, IGNITION	5	22
84-86228A20	HARNESS ASSEMBLY, TRIM	43	2	392-2529	SPRING SET, BRUSH TENSION	69	13
				392-2941	BRUSH SET, THRU - PLATE AND FRAME TO RESERVOIR	69	12
				392-7727	COUPLER AND SHAFT	69	15
				392-7728	FILL PLUG, RESERVOIR	69	16
				392-7729	ARMATURE, FIELD AND FRAME	69	8
				392-7730	BALL, COMMUTATOR END PLATE	69	10
				392-7731	RESERVOIR ASSEMBLY (PLASTIC)	69	6

PARTS INDEX

Part Number	Description	Pg.	Ref. No.	Part Number	Description	Pg.	Ref. No.
392-7733	BOLT SET, TRHU - PLATE AND FRAME TO RESERVOIR	69	14	1647-9224A5	GEAR HOUSING (LONG) LHR	46	-
392-7735	SEAL, RESERVOIR TO VALVE BODY AND GEAR	69	5	1647-9224A6	GEAR HOUSING ASSEMBLY (X-LONG) LHR	46	-
392-8261	FIELD AND FRAME ASSEMBLY	69	9	2167-6539A15	TOP COWL ASSEMBLY	3	1
392-8262	PLATE ASSEMBLY, COMMUTATOR END	69	11				
392-8317	VALVE BODY AND GEAR ASSEMBLY	69	2				
398-5454A55	STATOR ASSEMBLY	5	10				
455-7666A4	CRANKSHAFT ASSEMBLY	21	1				
636-8119A3	CONNECTING ROD ASSEMBLY	21	12				
766-8666A10	PISTON ASSEMBLY (STARBOARD)	21	9				
766-8667A10	PISTON ASSEMBLY (PORT)	21	9				
858-8674A3	CYLINDER BLOCK & CRANKCASE ASSEMBLY	15	1				
1156-7809A1	END CAP ASSEMBLY, LOWER	15	29				
1159-8454A2	END CAP ASSEMBLY, UPPER	15	14				
1491-9225A2	SWIVEL BRACKET ASSEMBLY	31	1				
1494-7476--1	BRACKET, TRANSOM (PORT)	33	1				
1495-7478--1	BRACKET, TRANSOM (STARBOARD)	33	2				
1581-8683A9	DRIVE SHAFT HOUSING ASSEMBLY	29	1				
1590-8837A5	DRIVE SHAFT HOUSING ASSEMBLY	27	1				
1647-8469A41	GEAR HOUSING ASSEMBLY (BASIC)	47	-				
1647-8469A43	GEAR HOUSING ASSEMBLY (LONG) RHR	47	-				
1647-8469A44	GEAR HOUSING ASSEMBLY (X-LONG) RHR	47	-				
1647-8469A45	GEAR HOUSING ASSEMBLY (LONG) LHR	47	-				
1647-8469A46	GEAR HOUSING ASSEMBLY (X-LONG) LHR	47	-				
1647-9223A1	GEAR HOUSING ASSEMBLY (BASIC)	48	-				
1647-9223A3	GEAR HOUSING ASSEMBLY (LONG) RHR	48	-				
1647-9223A4	GEAR HOUSING ASSEMBLY (X-LONG) RHR	48	-				
1647-9223A5	GEAR HOUSING ASSEMBLY (LONG) LHR	48	-				
1647-9223A6	GEAR HOUSING ASSEMBLY (X-LONG) LHR	48	-				
1647-9224A1	GEAR HOUSING ASSEMBLY (BASIC)	46	-				
1647-9224A3	GEAR HOUSING ASSEMBLY (LONG) RHR	46	-				
1647-9224A4	GEAR HOUSING ASSEMBLY (X-LONG) RHR	46	-				