



PARTS CATALOG

FORMULA 1 2 LITRE (EFI)

SERIAL NUMBER

MERC FORMULA I (2L EFI) 82E606 THRU 86G640

TABLE OF CONTENTS:

AIR INLET/E.F.I.CONTROL BOX	24
AIR INLET/THROTTLE LINKAGE	28
COWLS(NEW STYLE)	4
COWLS(OLD STYLE)	2
CRANKSHAFT, PISTONS AND CONNECTING RODS	22
CYLINDER BLOCK AND END CAPS	14
DRIVE SHAFT HOUSING	36
E.F.I. CONTROL BOX	30
EXHAUST MANIFOLD	18
FLYWHEEL, STARTER MOTOR AND IGNITION COILS	6
FUEL INJECTORS	32
FUEL PUMP	20
GEAR HOUSING (DRIVE SHAFT)	40
GEAR HOUSING (PROPELLER SHAFT)	44
HYDRAULIC PUMP AND BRACKET	46
HYDRAULIC PUMP ASSEMBLY	50
MISCELLANEOUS PARTS/ACCESSORIES	1
PARTS INDEX	52
REED BLOCK AND CYLINDER HEAD	16
REV LIMITER	34
STEERING PLATES	48
THROTTLE LEVER AND LINKAGE	12
WIRING HARNESS, STARTER SOLENOID AND RECTIFIER	8

NOTE: *Indented description indicate that these parts are included in preceeding assembly.*

AR = As Required

NSS = Not Sold Seperate

OPT = Optional

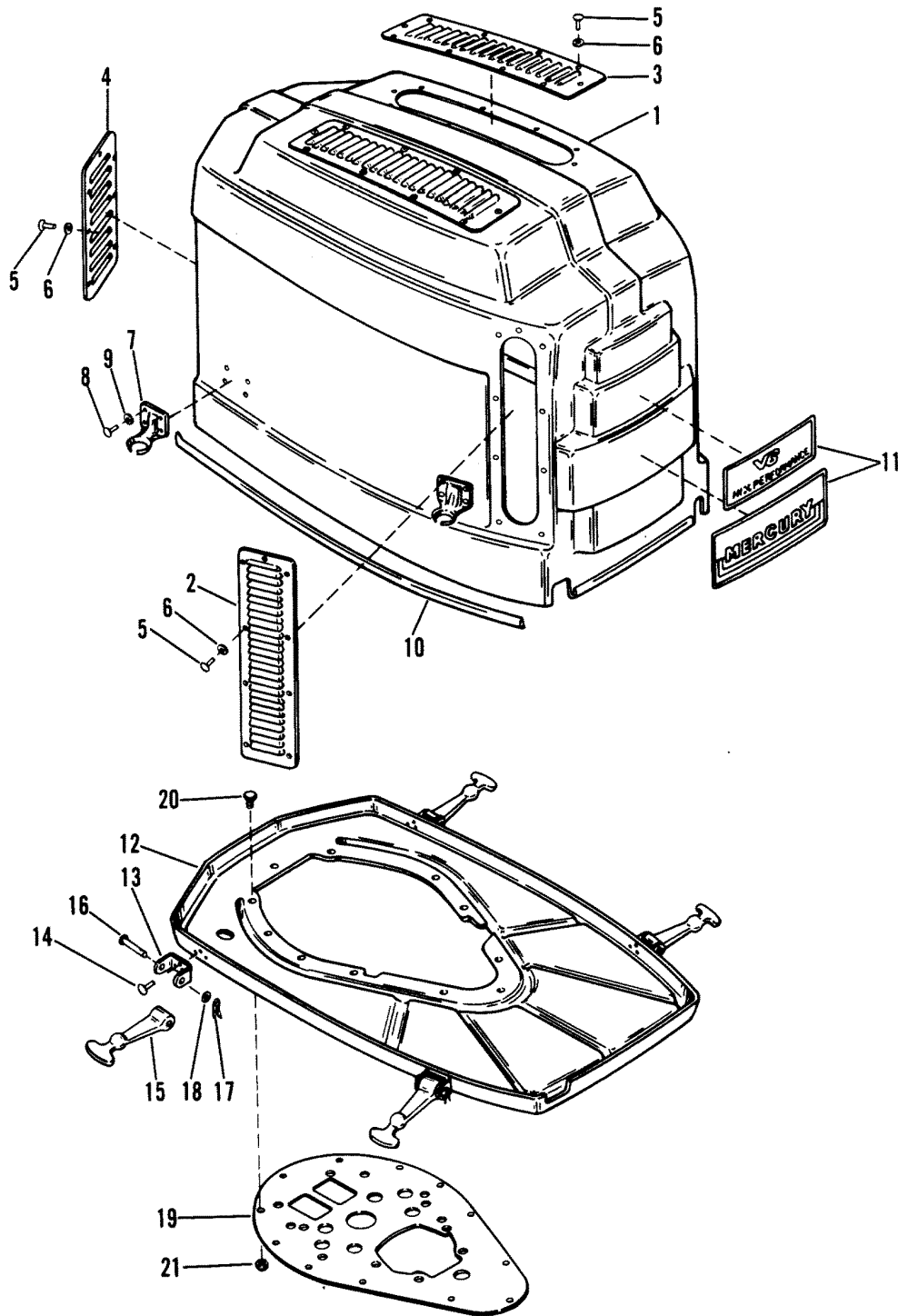
NS = Not Shown

THESE PARTS BOOKS/FICHE CARD ARE COPYRIGHTED AND MAY NOT BE DISTRIBUTED OR REPRODUCED IN ANY OTHER FORMAT BY ANYONE OTHER THAN MERCURY MARINE WITHOUT THE PRIOR WRITTEN CONSENT OF MERCURY MARINE.

MISCELLANEOUS PARTS/ACCESSORIES

REF. NO.	PART NO.	SYM.	QTY.	DESCRIPTION
-	90-14421			PARTS MANUEL
-	27-96281A1			GASKET SET
-	90-12770			OWNER'S GUIDE

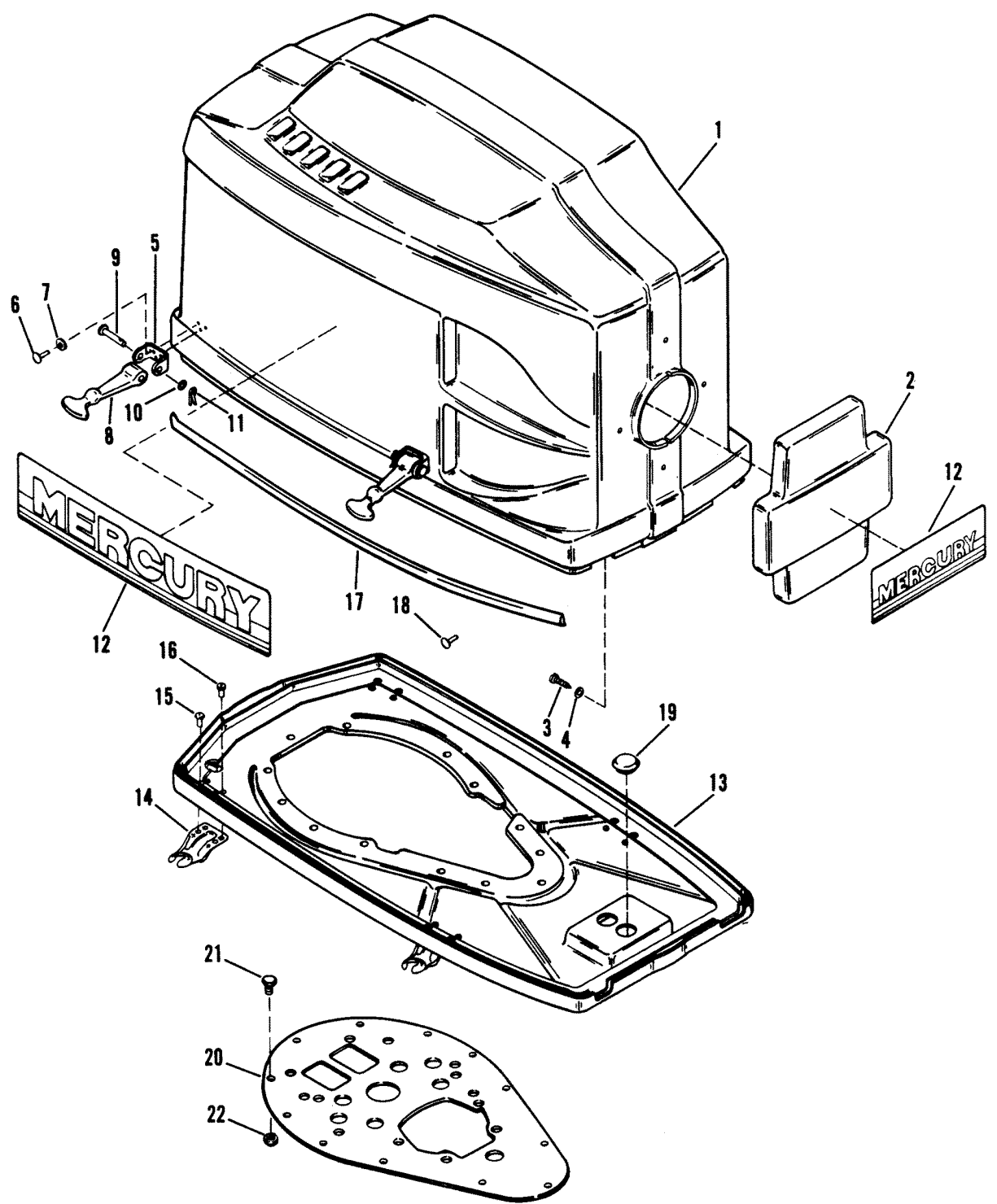
COWLS(OLD STYLE)



COWLS(OLD STYLE)

REF. NO.	PART NO.	SYM.	QTY.	DESCRIPTION
1	2167-6539A7		1	TOP COWL ASSEMBLY
2	78857--1		2	SHIELD, AIR INLET
3	78858--2		2	SHIELD, AIR INLET
4	77376--2		2	SHIELD, AIR INLET
5	17-12147		52	POP RIVET, SHIELD
6	12-57238		52	WASHER, SHIELD RIVET
7	61364		4	RETAINER, COWL HOLD DOWN
8	17-12146		16	POP RIVET, RETAINER
9	12-20128		16	WASHER, RETAINER RIVET
10	58809--6		1	TRIM MOLDING
11	37-91879A1		1	DECAL SET
12	77980A8		1	BOTTOM COWL ASSEMBLY
13	71602		4	YOKE, COWL HOLD DOWN
14	17-57629		12	RIVET, YOKE TO PAN
15	58707		4	HOLD DOWN, COWL (BUNGY CORD)
16	17-58712		4	CLEVIS PIN, HOLD DOWN
17	18-21071		4	COTTER PIN, CLEVIS PIN
18	12-20128		4	WASHER, CLEVIS PIN
19	77377		1	PLATE, COWL BASE
20	10-98256		14	SCREW, PLATE TO BOTTOM COWL
21	11-20586		14	NUT, PLATE SCREW

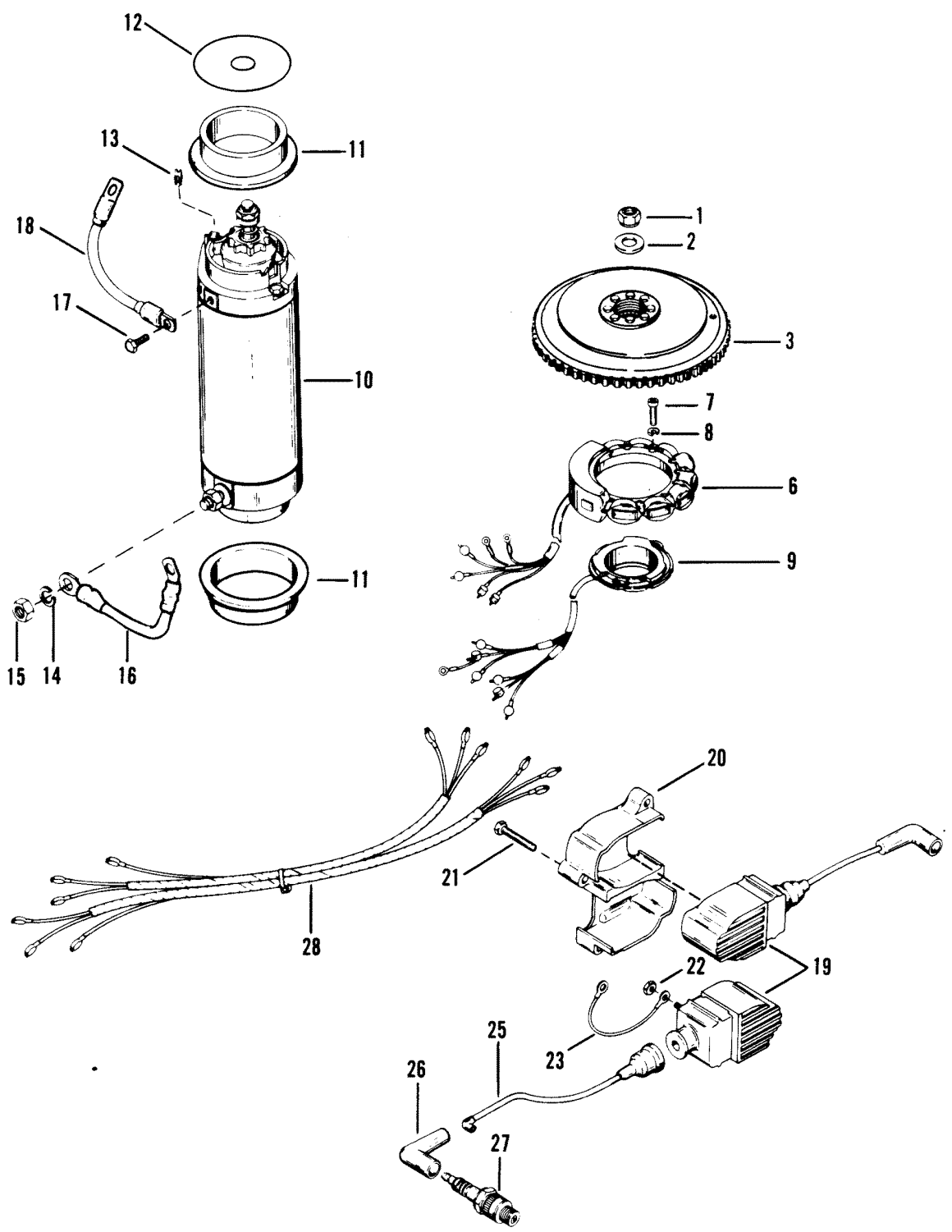
COWLS(NEW STYLE)



COWLS(NEW STYLE)

REF. NO.	PART NO.	SYM.	QTY.	DESCRIPTION
1	2167-9442A5		1	TOP COWL ASSEMBLY
2	14410A1		1	FRONT COVER
3	10-69570		4	SCREW, FRONT COVER
4	12-22887		4	WASHER, FRONT COVER SCREW
5	71602		4	YOKE, COWL HOLD DOWN
6	17-12146		12	RIVET, YOKE TO COWL
7	12-20128		12	WASHER, YOKE RIVET
8	58707		4	HOLD DOWN (BUNGY CORD)
9	17-58712		4	CLEVIS PIN
10	12-20128		4	WASHER
11	18-21071		4	COTTER PIN
12	37-13813A2		1	DECAL SET
13	12955A3		1	BOTTOM COWL ASSEMBLY
14	13734		4	RETAINER, HOLD DOWN
15	17-12148		8	RIVET, RETAINER
16	17-14908		8	RIVET, RETAINER
17	58809--6		1	TRIM MOULDING
18	17-12147		10	RIVET, TRIM MOULDING
19	22-14685		2	PLUG, BOTTOM COWL
20	77377		1	PLATE, COWL BASE
21	10-38601		14	SCREW, PLATE TO BOTTOM COWL
22	11-36069		14	NUT, PLATE SCREW

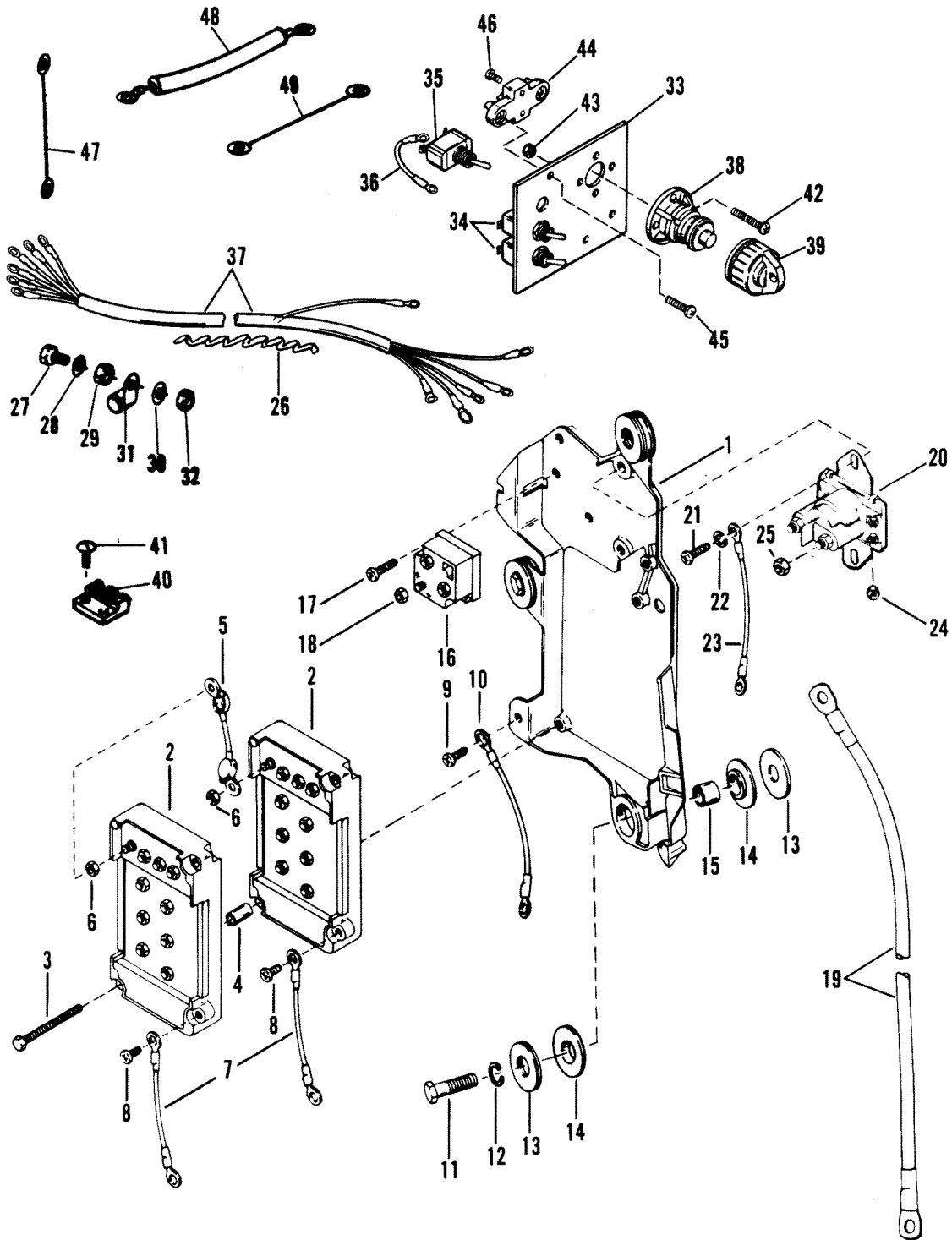
FLYWHEEL, STARTER MOTOR AND IGNITION COILS



FLYWHEEL, STARTER MOTOR AND IGNITION COILS

REF. NO.	PART NO.	SYM.	QTY.	DESCRIPTION
1	11-52901		1	NUT, FLYWHEEL
2	12-68229		1	WASHER, FLYWHEEL
3	249-6080A6		1	FLYWHEEL ASSEMBLY, COMPLETE
6	398-5454A55		1	STATOR ASSEMBLY
7	10-90417		4	SCREW, STATOR
8	13-26996		4	LOCKWASHER, STATOR SCREW
9	96455A9		1	TRIGGER PLATE ASSEMBLY
10	50-60594A1		1	STARTER MOTOR
11	56703		2	COLLAR, STARTER MOTOR
12	23-56774		AR	SPACER, STARTER MOTOR
13	68042		2	STOP, RUBBER - STARTER MOTOR
14	13-26992		1	LOCKWASHER, STARTER MOTOR TERMINAL
15	11-20890		1	NUT, STARTER MOTOR TERMINAL
16	84-93389A5		1	WIRE, SOLENOID TO STARTER MOTOR (YELLOW)
17	10-69035		1	SCREW, CABLE TO STARTER MOTOR
18	84-93388A1		1	WIRE, PLATE TO STARTER MOTOR (BLACK)
19	339-7370A13		6	COIL ASSEMBLY, IGNITION
20	67614		3	COVER, IGNITION COIL
21	10-88447		12	SCREW, IGNITION COIL COVER (1-5/8")
22	11-45076		12	NUT, IGNITION COIL TERMINAL
23	84-88807A6		6	GROUND STRAP, IGNITION COIL (BLACK)
25	84-99215A25		6	CABLE, HIGH TENSION
26	85-63709A1		6	PROTECTOR, HIGH TENSION CABLE
27	33-97180		6	SPARK PLUG (NGK-BUHW)
28	84-69738A1		1	HARNESS ASSEMBLY, COIL TO SWITCH BOX (#2, 4 AND 6)
	84-69739A2		1	HARNESS ASSEMBLY, COIL TO SWITCH BOX (#1, 3 AND 5)

WIRING HARNESS, STARTER SOLENOID AND RECTIFIER

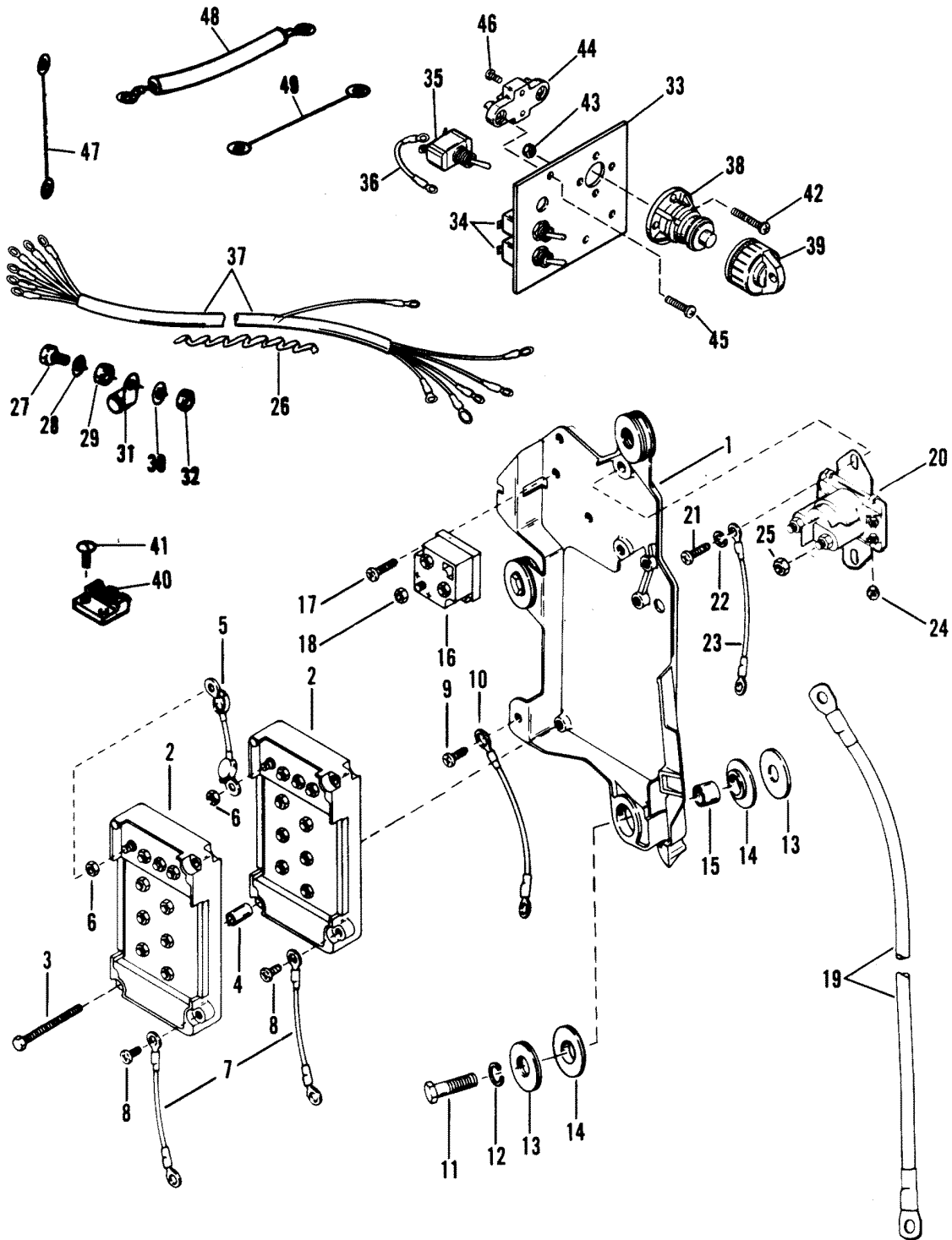


WIRING HARNESS, STARTER SOLENOID AND RECTIFIER

REF. NO.	PART NO.	SYM.	QTY.	DESCRIPTION
1	13624		1	PLATE, IGNITION
2	332-7778A4		2	SWITCH BOX
3	10-12666		2	SCREW, SWITCH BOX TO IGNITION PLATE
4	23-94453		2	BUSHING, SWITCH BOX SCREW
5	84-62310A2		1	CABLE ASSEMBLY, SWITCH BOX TO SWITCH BOX
6	11-45076		8	NUT, SWITCH BOX TERMINAL
7	84-60871A10		2	WIRE, SWITCH BOX
8	10-62568		2	SCREW, WIRE ATTACHING
9	10-20646		1	SCREW, CABLE TO IGNITION PLATE (5/8")
10	84-65999A3		1	CABLE ASSEMBLY, BLACK
11	10-69092		3	SCREW, IGNITION PLATE (1-1/4")
12	13-26993		3	LOCKWASHER, IGNITION PLATE SCREW
13	12-36042		6	WASHER, IGNITION PLATE SCREW
14	12-67264		6	WASHER, IGNITION PLATE SCREW (RUBBER)
15	23-67268		3	BUSHING, IGNITION PLATE SCREW
16	62351A2		1	RECTIFIER
17	10-20646		2	SCREW, RECTIFIER TO IGNITION PLATE (5/8")
18	11-45076		3	NUT, RECTIFIER TERMINALS.
19	84-88439A14		1	BATTERY CABLE (POSITIVE)
	84-88439A2		1	BATTERY CABLE (NEGATIVE)
20	89-68258A4		1	STARTER SOLENOID
21	10-90198		2	SCREW, SOLENOID TO IGNITION PLATE (5/8")
22	13-26992		2	LOCKWASHER, SOLENOID TO IGNITION PLATE SCREW
23	84-65999A2		1	CABLE ASSEMBLY, UPPER MOUNT (BLACK)
24	11-68219		2	NUT, SOLENOID TERMINALS (10-32)
25	11-26484		2	NUT, SOLENOID TERMINALS (5/16-18)
26	32-77690		1	WRAPPING (1/4")
27	10-59702		1	SCREW, HARNESS CLAMP
28	13-26992		1	LOCKWASHER, CLAMP SCREW
29	11-28941		1	NUT, CLAMP SCREW
30	12-69056		2	WASHER, CLAMP SCREW
31	54-13637		1	CLAMP, HARNESS
32	11-35888		1	NUT
33	76366		1	PLATE, IGNITION PANEL
34	87-66582		2	SWITCH, STARTER AND PRIMER
35	87-66581		1	SWITCH, IGNITION
36	84-61393A8		2	WIRE ASSEMBLY, SWITCH TO SWITCH
37	84-93940A1		1	HARNESS ASSEMBLY, IGNITION PANEL
38	65503A4		1	HOUSING ASSEMBLY, STOP SWITCH
39	75095A1		1	CAP ASSEMBLY, STOP SWITCH
40	45559		1	TERMINAL BLOCK
41	10-62568		2	SCREW, TERMINAL BLOCK
42	10-29072		3	SCREW, STOP SWITCH HOUSING (5/8")

CONTINUED ON NEXT PAGE ➡

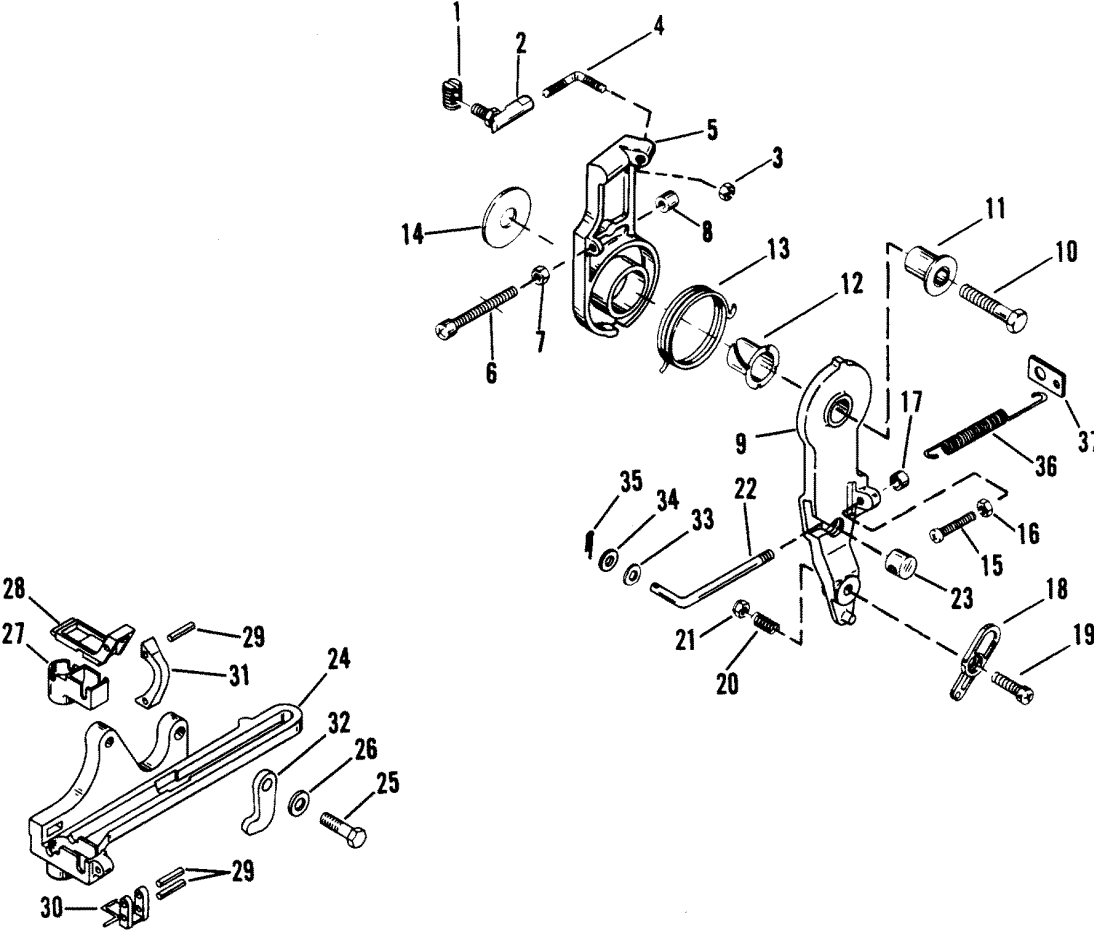
WIRING HARNESS, STARTER SOLENOID AND RECTIFIER



WIRING HARNESS, STARTER SOLENOID AND RECTIFIER

REF. NO.	PART NO.	SYM.	QTY.	DESCRIPTION
42	10-24637		1	SCREW, STOP SWITCH HOUSING (7/8")
43	11-45812		3	NUT, HOUSING SCREW (NYLON INSERT)
	11-68219		1	NUT, HOUSING SCREW
44	86-66986		1	TERMINAL BLOCK
45	10-22523		1	SCREW, TERMINAL BLOCK TO PLATE (3/4")
46	10-22028		1	SCREW, LEAD TO TERMINAL BLOCK
47	84-60466A10		1	WIRE ASSEMBLY (BLACK)
48	84-62824A1		1	CABLE, SOLENOID TO RECTIFIER (RED)
49	84-62189A1		2	WIRE, TERMINAL BLOCK TO SWITCH BOX (SALMON)

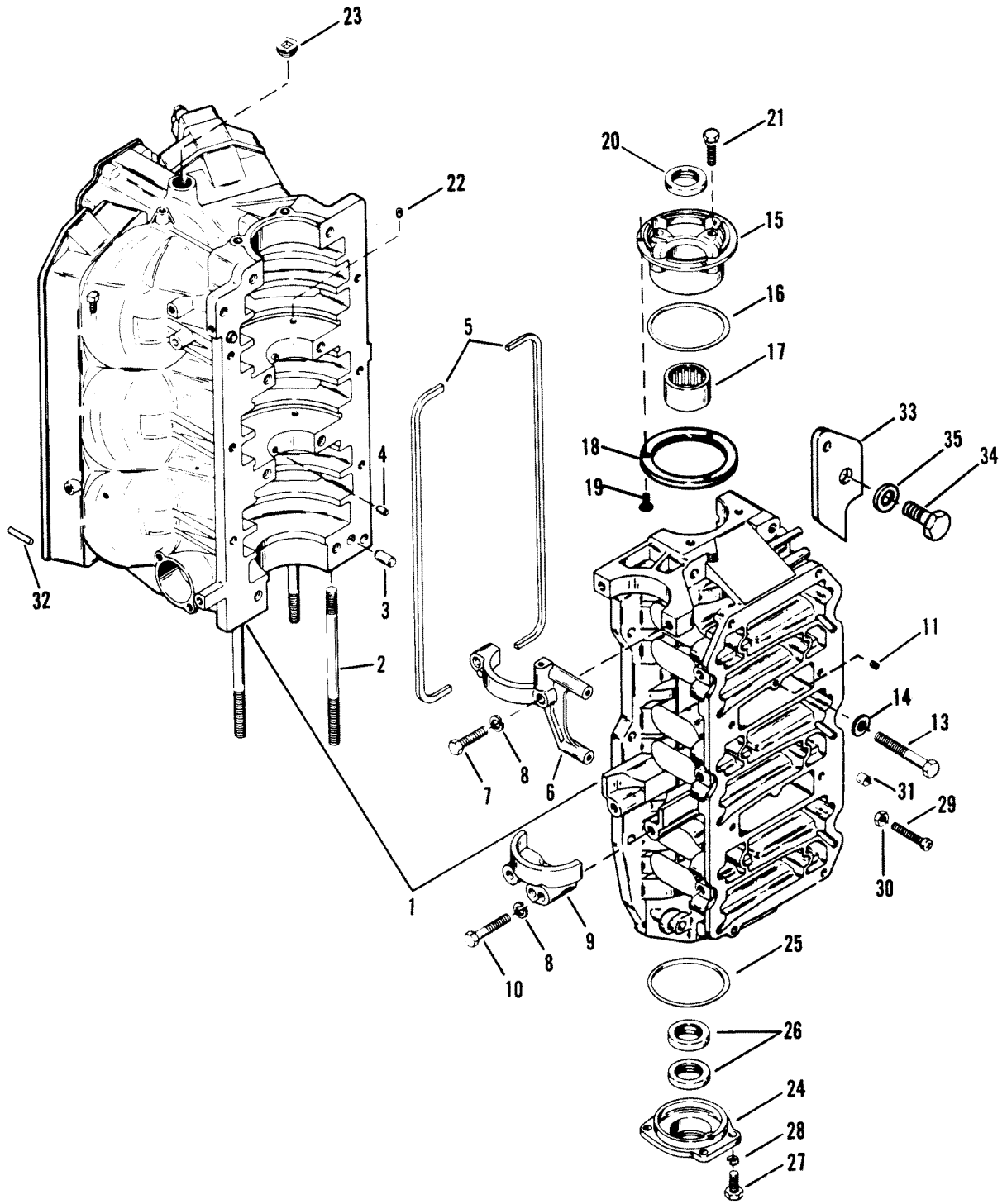
THROTTLE LEVER AND LINKAGE



THROTTLE LEVER AND LINKAGE

REF. NO.	PART NO.	SYM.	QTY.	DESCRIPTION
1	74897		1	PIVOT, TRIGGER PLATE
2	89279		1	SWIVEL, TRIGGER PLATE
3	11-68219		1	NUT, LINK ROD
4	76035		1	LINK ROD, TRIGGER PLATE
5	78441		1	LEVER, SPARK ADVANCE
6	10-64022		1	SCREW, SPARK ADVANCE LEVER - STOP
7	11-64015		1	NUT, SPARK ADVANCE STOP SCREW
8	26852		1	CAP, SPARK ADVANCE LEVER STOP SCREW
9	77837		1	LEVER, THROTTLE CONTROL
10	10-55337		1	SCREW, THROTTLE LEVER/ADVANCE LEVER (1-3/4")
11	23-55164		1	BUSHING, THROTTLE LEVER
12	23-55171		1	BUSHING, SPARK ADVANCE LEVER
13	24-68784		1	SPRING, THROTTLE AND SPARK ADVANCE LEVER
14	12-68410		1	WASHER, SPARK ADVANCE LEVER
15	10-64022		1	SCREW, THROTTLE LEVER - STOP (2-1/8")
16	11-64015		1	NUT, THROTTLE LEVER STOP SCREW
17	26852		1	CAP, THROTTLE LEVER STOP SCREW
18	39483		1	LATCH, CABLE
19	10-22486		1	SCREW, CABLE LATCH TO THROTTLE LEVER
20	24-20099		1	SPRING, CABLE LATCH TO THROTTLE LEVER
21	11-20586		1	NUT, CABLE LATCH SCREW
22	99936		1	ROD, THROTTLE CONTROL (BOTTOM AIR INLET)
23	60572		2	BARREL, THROTTLE CONTROL ROD
24	42348		1	BRACKET, ANCHOR - CONTROL CABLES
25	10-73657		1	SCREW, ANCHOR BRACKET (1-1/2")
	10-53576		1	SCREW, ANCHOR BRACKET (1-1/8")
	10-76630		1	SCREW, ANCHOR BRACKET (1")
26	12-22753		2	WASHER, ANCHOR BRACKET SCREW
27	77834		1	CAP, BARREL RETAINER - ANCHOR BAR
28	77833		1	LEVER, NYLON - SHIFT CABLE LOCKING
29	17-47175		3	LOCATING PIN, LEVER AND COVER FASTENING
30	77832		1	COVER, NYLON - SHIFT CABLE
31	65799		1	LINK, LOCKING LEVER TO COVER
32	54-54457		1	"J" CLIP, ANCHOR BRACKET SCREW
33	13-29720		1	WAVE WASHER, THROTTLE CONTROL ROD
34	12-29245		1	WAHSER, THROTTLE CONTROL ROD
35	18-21071		1	COTTER PIN, THROTTLE CONTROL ROD
36	24-91821		1	SPRING, THROTTLE RETURN
37	54-75275		1	CLAMP, THROTTLE RETURN SPRING

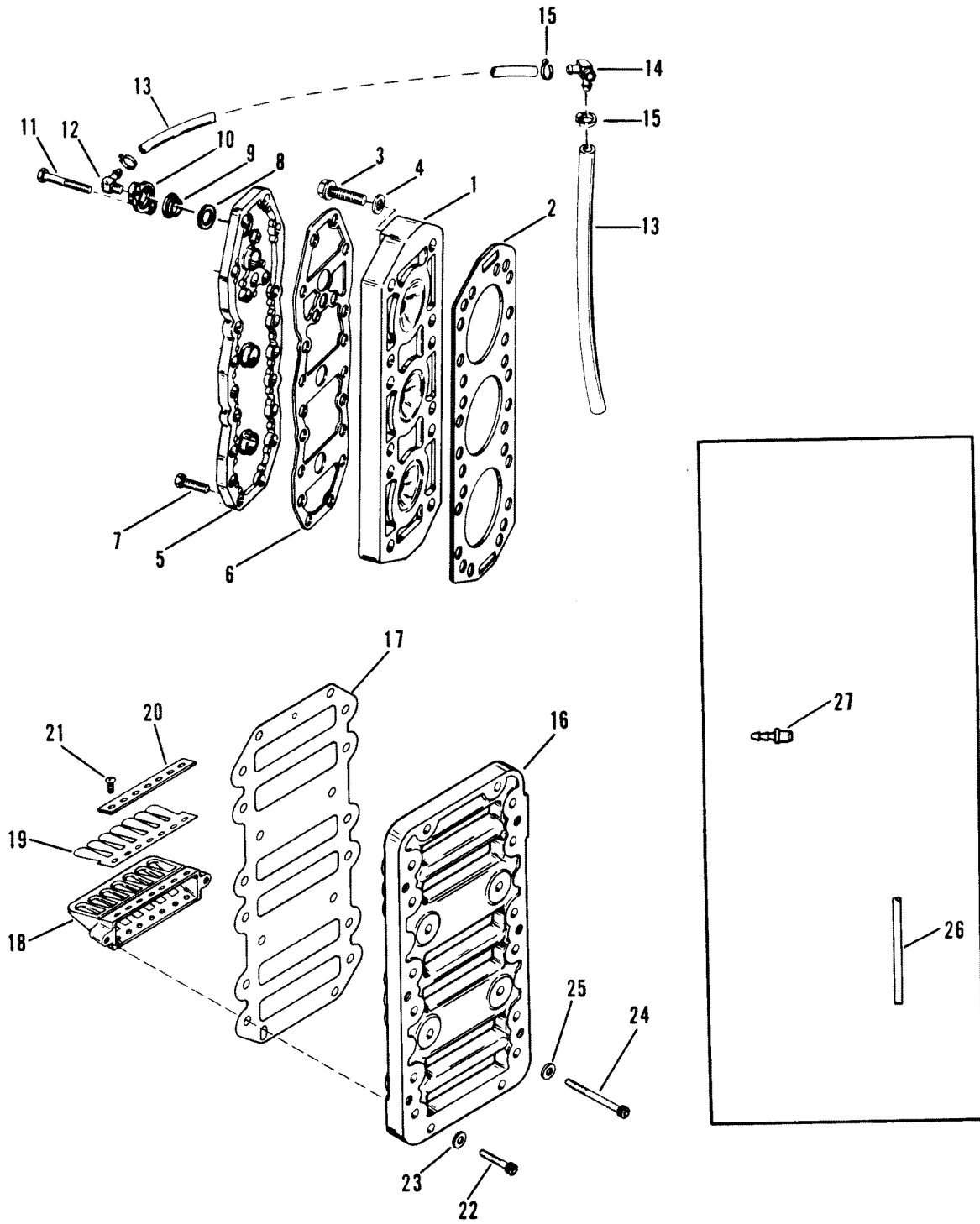
CYLINDER BLOCK AND END CAPS



CYLINDER BLOCK AND END CAPS

REF. NO.	PART NO.	SYM.	QTY.	DESCRIPTION
1	61-41327A4		1	CYLINDER BLOCK & CRANKCASE ASSEMBLY
2	16-37653		8	STUD, POWERHEAD (2-11/16")
3	17-20033		2	DOWEL PIN, LOCATING
4	17-67296		2	DOWEL PIN, CYLINDER BLOCK (BEARING RACE)
5	27-11338		2	GASKET, SEALING
6	42249		1	COVER, STARTER MOTOR (UPPER)
7	10-73657		2	SCREW, COVER TO CRANKCASE (1-1/2")
8	13-26993		4	LOCKWASHER, STARTER MOTOR COVER SCREW
9	76867		1	COVER, STARTER MOTOR (LOWER)
10	10-77065		2	SCREW, COVER TO CRANKCASE (2")
11	21-42657A1		3	CHECK VALVE ASSEMBLY
13	10-66717		8	SCREW, CRANKCASE TO CYLINDER BLOCK (3-1/4")
	10-74824		3	SCREW, CRANKCASE TO CYLINDER BLOCK (1-1/4")
	10-53576		3	SCREW, CRANKCASE TO CYLINDER BLOCK (1-1/8")
14	12-22753		6	WASHER, CRANKCASE SCREW
15	1159-9150A1		1	END CAP ASSEMBLY, UPPER
16	25-54029		1	"O" RING, END CAP
17	31-74248		1	ROLLER BEARING, END CAP
18	96149		1	RETAINER, UPPER END CAP
19	10-86843		3	SCREW, RETAINER
20	26-41953		1	OIL SEAL, END CAP
21	10-69034		4	SCREW, UPPER END CAP TO CYLINDER BLOCK (1")
22	10-24220		2	SCREW, SET-CYLINDER BLOCK (3/16")
23	22-38407		1	PLUG, CYLINDER BLOCK (WATER JACKET)
24	1156-8120A1		1	END CAP ASSEMBLY, LOWER
25	25-62700		1	"O" RING, END CAP (3-1/4" I.D.)
26	26-41953		2	OIL SEAL, END CAP
27	10-39669		2	SCREW, LOWER END CAP (3/4")
	10-28636		2	SCREW, LOWER END CAP (3/4")
28	13-26992		2	LOCKWASHER, LOWER END CAP SCREW
29	10-64022		1	SCREW, ADJUSTING-CYLINDER BLOCK
30	11-64015		1	NUT, JAM-ADJUSTING SCREW
31	26852		1	CAP, NYLON-ADJUSTING SCREW
32	32-11635		2	TUBE, WATER BLOCKOFF
33	96456		1	BRACKET, TIMING
34	10-72094		1	SCREW, TIMING BRACKET
35	12-45175		2	WASHER, BRACKET SCREW

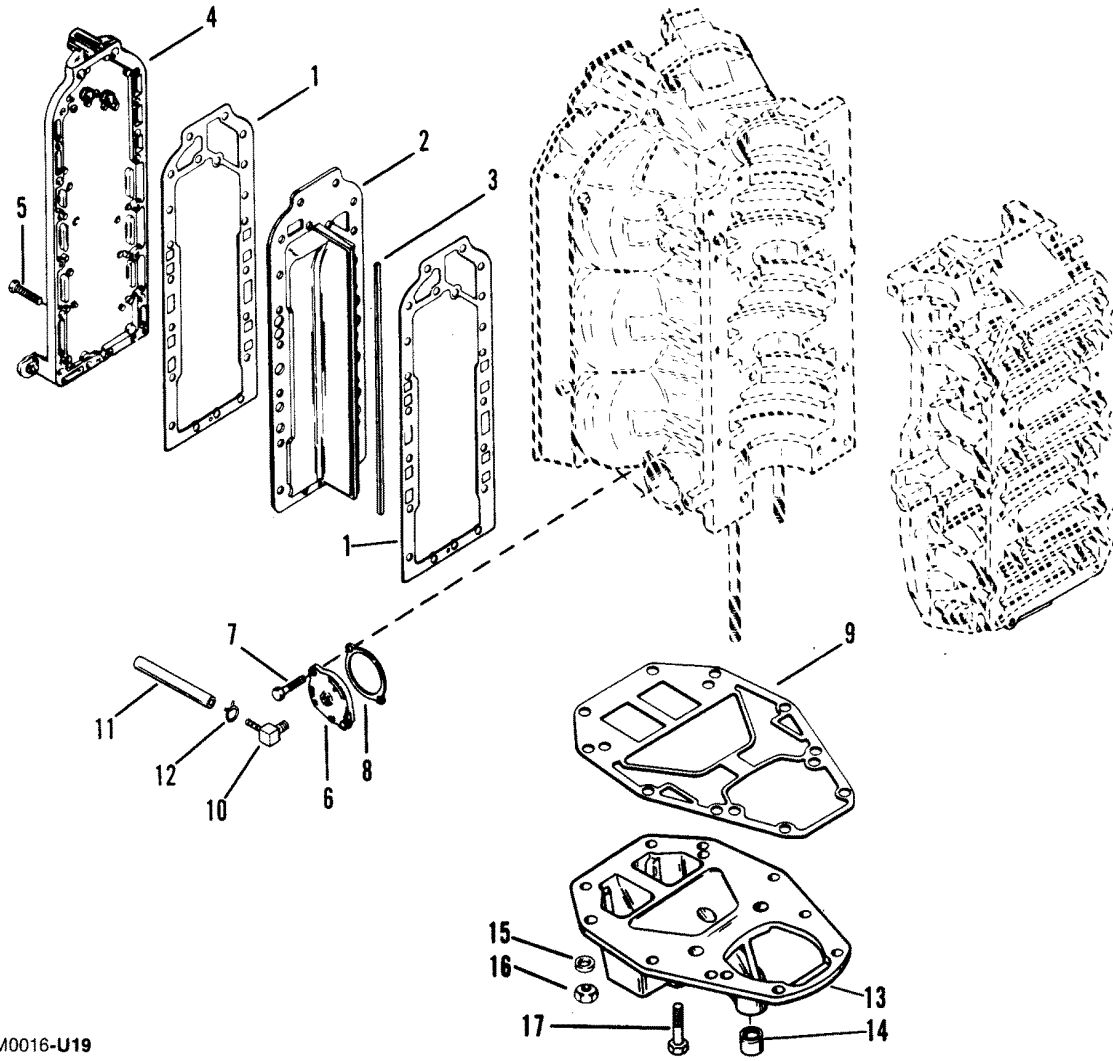
REED BLOCK AND CYLINDER HEAD



REED BLOCK AND CYLINDER HEAD

REF. NO.	PART NO.	SYM.	QTY.	DESCRIPTION
1	42013		2	CYLINDER HEAD
2	27-14829		2	GASKET, CYLINDER HEAD
3	10-94929		24	SCREW, CYLINDER HEAD (2")
4	12-25909		24	WASHER, CYLINDER HEAD SCREW
5	96283		2	COVER, CYLINDER
6	27-96278		2	GASKET, CYLINDER COVER
7	10-74824		40	SCREW, CYLINDER COVER TO CYLINDER HEAD (1-1/4")
8	12-47533		2	WASHER, SUBSTITUTE FOR THERMOSTAT
9	27-62386		2	GASKET, THERMOSTAT
10	90390A1		2	COVER, THERMOSTAT
11	10-77065		2	SCREW, THERMOSTAT COVER (2")
12	22-68727		1	FITTING, ELBOW-WATER HOSES
13	32-61649--3		2	HOSE, WATER DISTRIBUTION
14	22-68728		1	FITTING, THERMOSTAT COVER TO WATER HOSES
15	73498		AR	STA-STRAP, WATER HOSES
16	98709--2		1	PLATE, REED BLOCK MOUNTING
17	27-12775		1	GASKET, REED BLOCK HOUSING
18	98711		6	REED BLOCK
19	34-93228A1		6	REED ASSEMBLY
20	90391		12	REED CLAMP
21	10-14686		84	SCREW, REEDS TO REED BLOCK
22	10-24878		4	SCREW, REED BLOCK ATTACHING
23	12-20028		4	WASHER, REED BLOCK SCREW
24	10-60147		12	SCREW, PLATE TO CRANKCASE
25	12-20028		12	WASHER, PLATE SCREW
26	32-66285--4		1	HOSE, PULSE
27	21-42623		1	CHECK VALVE, BLEED HOSE (PRESS-IN-11/16" LONG)
	21-42658--1		1	CHECK VALVE, BOTTOM

EXHAUST MANIFOLD

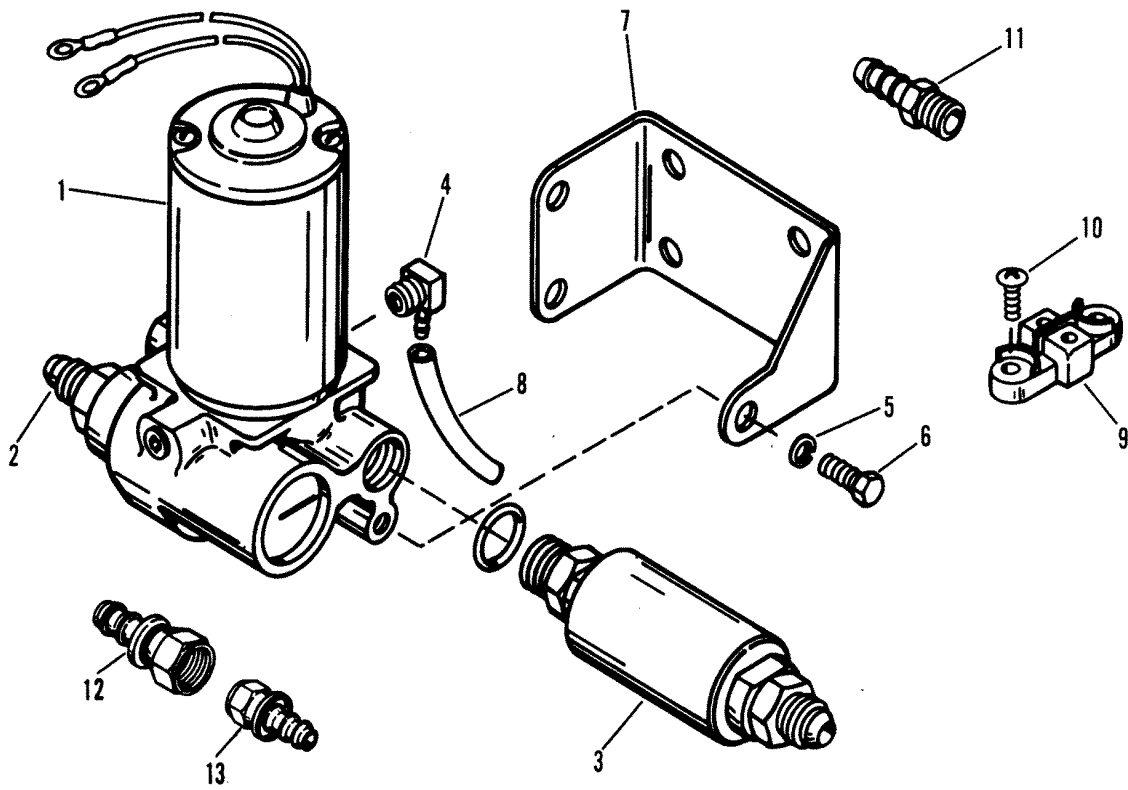


M0016-U19

EXHAUST MANIFOLD

REF. NO.	PART NO.	SYM.	QTY.	DESCRIPTION
1	27-90484		2	GASKET, DIVIDER PLATE
2	99169		1	PLATE, DIVIDER
3	42838--1		1	SEAL, DIVIDER PLATE
4	95067		1	COVER, EXHAUST MANIFOLD
5	10-74824		21	SCREW, COVER AND PLATE TO CYLINDER BLOCK (1-1/4")
6	99193		1	COVER, RELIEF VALVE
7	10-37562		2	SCREW, COVER TO CYLINDER BLOCK (1")
8	27-88907		1	GASKET, RELIEF VALVE PLATE
9	27-75909		1	GASKET, EXHAUST PLATE
10	22-68727		1	FITTING, WATER OUTLET
11	32-61649--3		1	WATER HOSE
12	73498		1	CLAMP, WATER HOSE
13	78446A1		1	PLATE ASSEMBLY, EXHAUST
14	26-38970		1	SEAL, WATER TUBE
15	12-25970		8	WASHER, POWERHEAD STUDS
16	11-23161		8	NUT, POWERHEAD STUDS
17	10-77526		2	SCREW

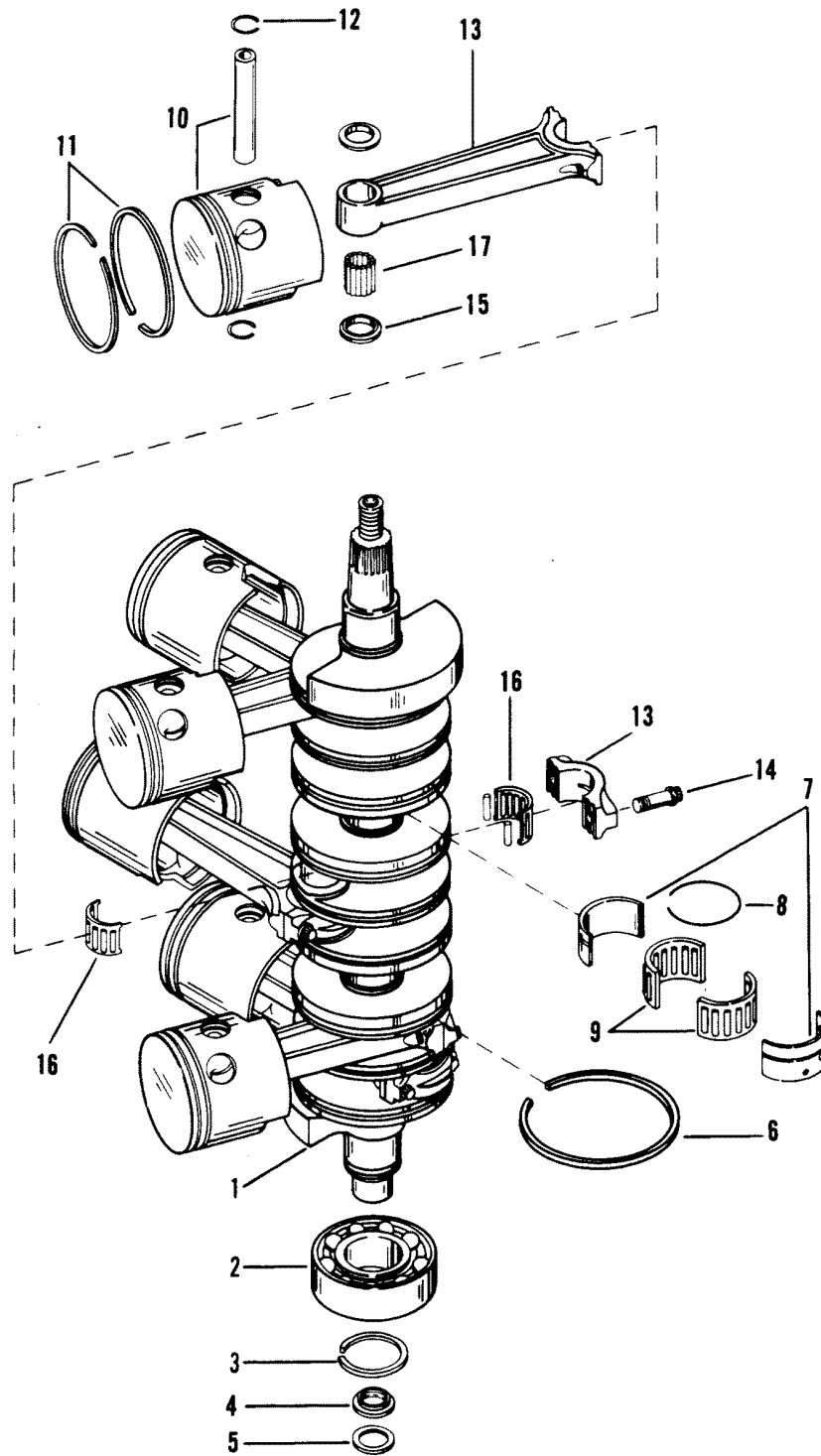
FUEL PUMP



FUEL PUMP

REF. NO.	PART NO.	SYM.	QTY.	DESCRIPTION
1	93860A1		1	FUEL PUMP ASSEMBLY, E.F.I.
2	22-94273		1	FITTING
3	35-94865		1	FUEL FILTER
4	22-62006		1	ELBOW
5	13-26992		3	LOCKWASHER
6	10-28635		3	SCREW
7	96030		1	BRACKET, FUEL PUMP
8	32-99387-79		1	HOSE
9	45559		1	TERMINAL BLOCK
10	10-62568		2	SCREW
11	22-32820		1	CONNECTOR, HOSE
12	22-69406		1	FITTING, FUEL LINE (FEMALE)
13	22-69393		1	FITTING, FUEL LINE (MALE)

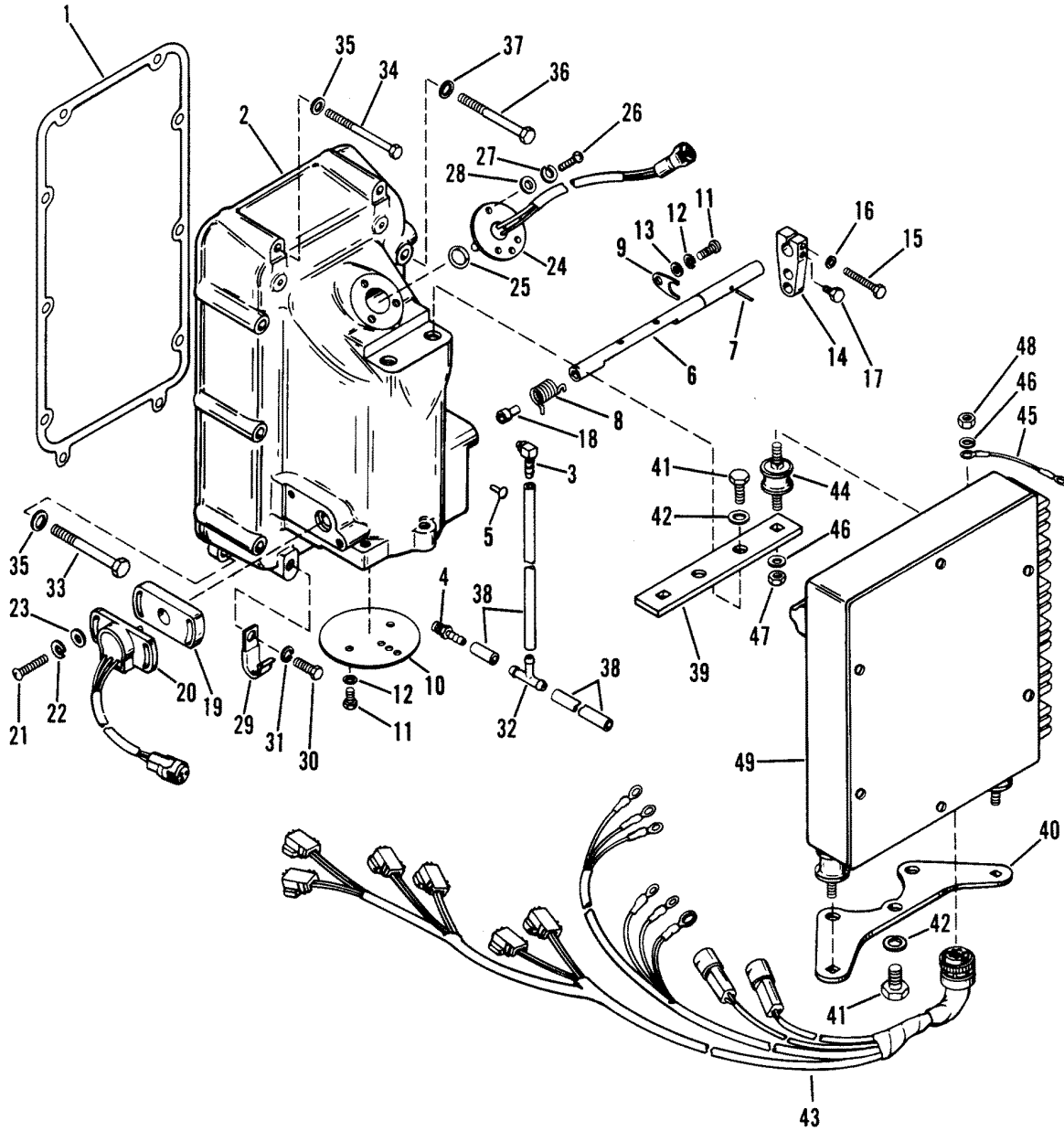
CRANKSHAFT, PISTONS AND CONNECTING RODS



CRANKSHAFT, PISTONS AND CONNECTING RODS

REF. NO.	PART NO.	SYM.	QTY.	DESCRIPTION
1	455-8280A1		1	CRANKSHAFT ASSEMBLY (WEIGHTED)
	455-7251A7		1	CRANKSHAFT ASSEMBLY (STANDARD)
2	30-41421		1	BALL BEARING , CRANKSHAFT (LOWER)
3	53-67446		1	RETAINING RING, BALL BEARING
4	54196A6		1	CARRIER ASSEMBLY, SEAL
5	65800		1	SEAL, CARRIER
6	39-67377		9	RING, SEALING - CRANKSHAFT (.124 THICK)
7	31-88903		2	BEARING RACE, CRANKSHAFT
8	53-67444		2	RETAINING RING, BEARING RACE
9	31-67445		2	ROLLER BEARING, RACE
10	765-8685A4		3	PISTON ASSEMBLY (STARBOARD)
	765-8684A4		3	PISTON ASSEMBLY (PORT)
11	39-99283A12		1	PISTON RING ASSEMBLY
12	40-52035		12	LOCK RING, PISTON
13	625-7209A6		6	CONNECTING ROD ASSEMBLY
14	10-91995		12	SCREW, CONNECTING ROD
15	12-47247		12	WASHER, NEEDLE LOCATING
16	31-67526A1		6	ROLLER BEARING ASSEMBLY
17	29-67483		174	NEEDLE BEARING, PISTON END

AIR INLET/E.F.I.CONTROL BOX

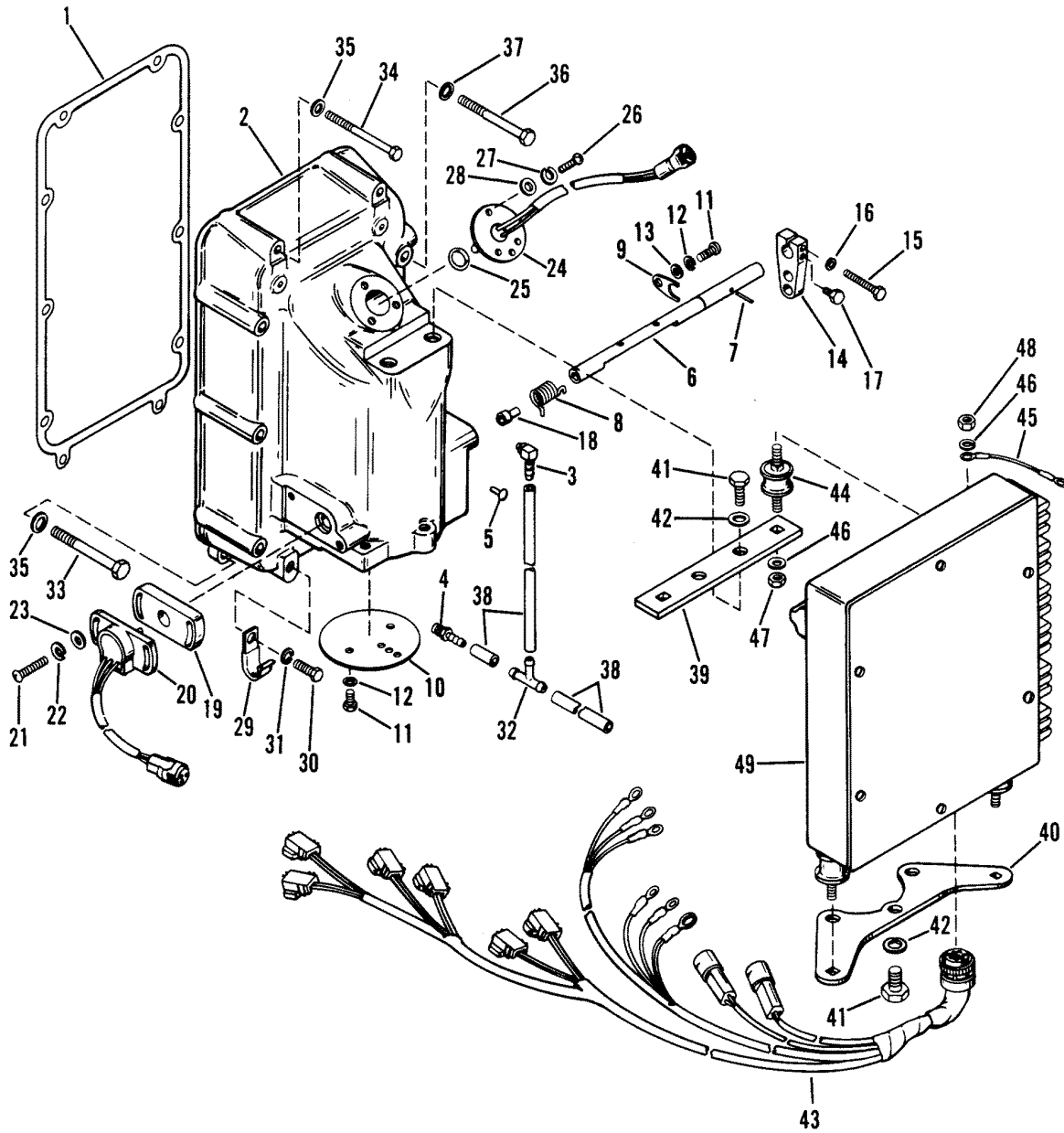


AIR INLET/E.F.I.CONTROL BOX

REF. NO.	PART NO.	SYM.	QTY.	DESCRIPTION
1	27-99316		1	GASKET, AIR INLET
2	98722A3		1	AIR INLET ASSEMBLY
3	22-71191		2	ELBOW
4	21-42623		1	CHECK VALVE
5	17-99317		1	RIVET, AIR INLET
6	98712A4		1	THROTTLE SHAFT ASSEMBLY
7	17-24800		2	ROLL PIN, THROTTLE SHAFT
8	24-98894		1	SPRING, THROTTLE
9	98810		1	CLAMP, SHUTTER SHAFT RETAINING
10	98715--4		1	THROTTLE SHUTTER
11	10-20055		3	SCREW, THROTTLE SHUTTER AND CLAMP
12	13-26996		3	LOCKWASHER, THROTTLE SHUTTER SCREW
13	12-24676		1	WASHER, THROTTLE CLAMP SCREW
14	99666A1		1	THROTTLE LEVER ASSEMBLY
15	10-41089		1	SCREW, THROTTLE LEVER TO SHAFT
16	13-26995		1	LOCKWASHER, THROTTLE LEVER SCREW
17	10-41355		1	SCREW, - THROTTLE LEVER
18	11200		1	ADAPTOR SHAFT
19	11198		1	ADAPTOR
20	11199A2		1	THROTTLE POSITION INDICATOR
21	10-52034		2	SCREW, INDICATOR RETAINING
22	13-26996		2	LOCKWASHER, INDICATOR SCREW
23	12-21273		2	WASHER,INDICATOR SCREW
24	96718A1		1	TEMPERATURE SENSOR ASSEMBLY
25	25-45711		1	"O" RING, TEMPERATURE SENSOR
26	10-57583		3	SCREW, TEMPERATURE SENSOR
27	13-26995		3	LOCKWASHER, TEMPERATURE SENSOR SCREW
28	12-20670		3	WASHER, TEMPERATURE SENSOR SCREW
29	54-54457		2	"J" CLIP, INJECTOR HARNESS SUPPORT
30	10-28635		2	SCREW, "J" CLIP
31	13-26992		2	LOCKWASHER, "J" CLIP SCREW
32	22-59169		1	TEE FITTING
33	10-70732		2	SCREW, INLET TO ADAPTOR (2") - BOTTOM
34	10-99305		2	SCREW, INLET TO ADAPTOR (3-1/2") - TOP
35	12-29245		4	WASHER, INLET SCREWS (1/4")
36	10-74191		6	SCREW, INLET TO ADAPTOR (5/16" X 3-1/4")
37	12-22753		6	WASHER, INLET SCREW
38	32-66285--4		1	HOSE, FUEL
39	99217		1	TOP MOUNT, E.F.I.BOX
40	99216		1	BOTTOM MOUNT, E.F.I.BOX
41	10-35386		5	SCREW, MOUNT TO INLET
42	13-26993		5	LOCKWASHER, MOUNT SCREW
43	84-98866A1		1	HARNESS ASSEMBLY, E.F.I.

CONTINUED ON NEXT PAGE ➡

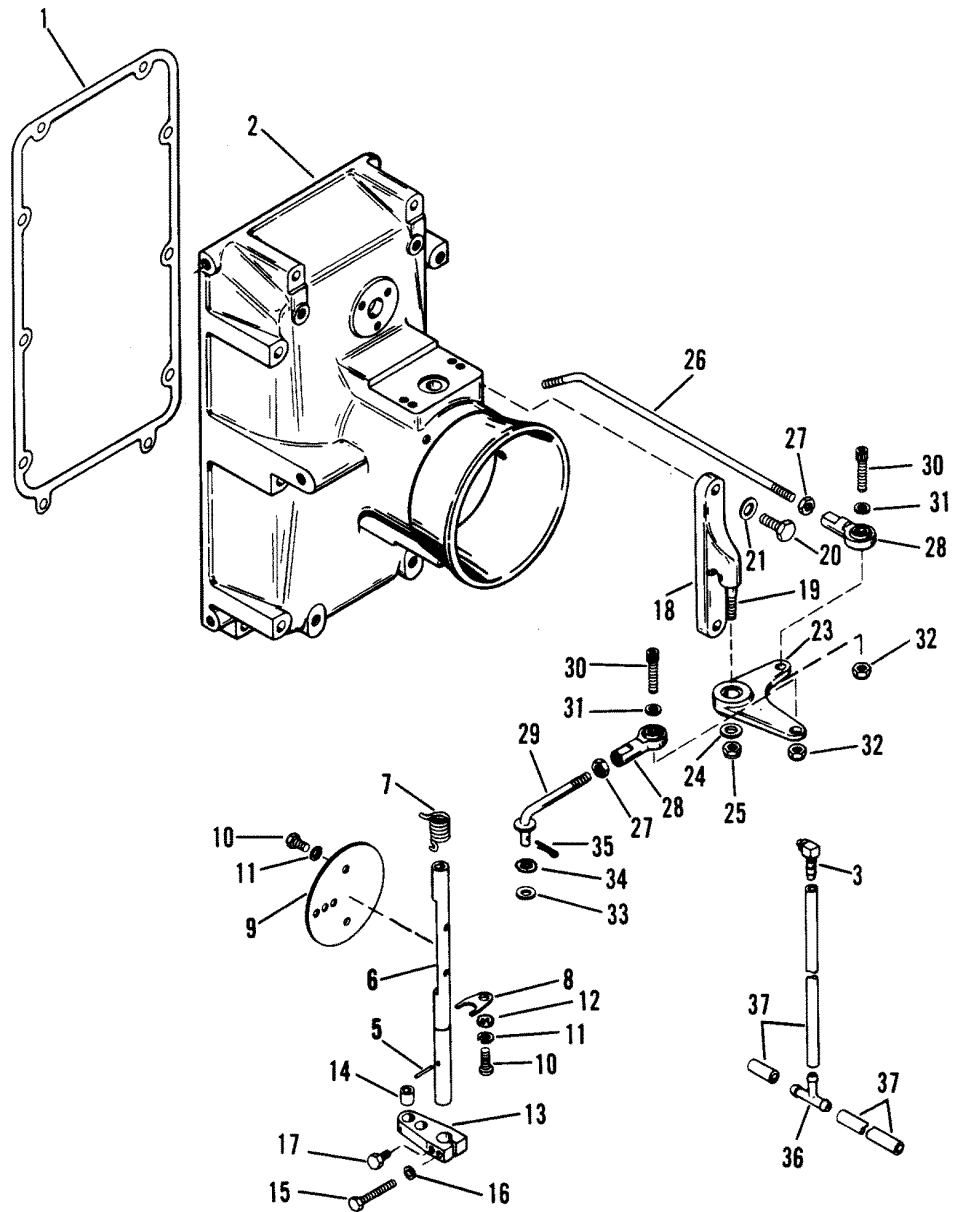
AIR INLET/E.F.I.CONTROL BOX



AIR INLET/E.F.I.CONTROL BOX

REF. NO.	PART NO.	SYM.	QTY.	DESCRIPTION
44	57927		2	MOUNT,RUBBER - E.F.I.BOX
45	84-65999A10		2	CABLE ASSEMBLY (BLACK)
46	12-29245		6	WASHER, RUBBER MOUNT
47	11-20586		2	NUT, RUBBER MOUNT (BOTTOM) (FULL)
48	11-20361		4	NUT, RUBBER MOUNT (UPPER) (THIN)
49	99312A3		1	I. CONTROL BOX

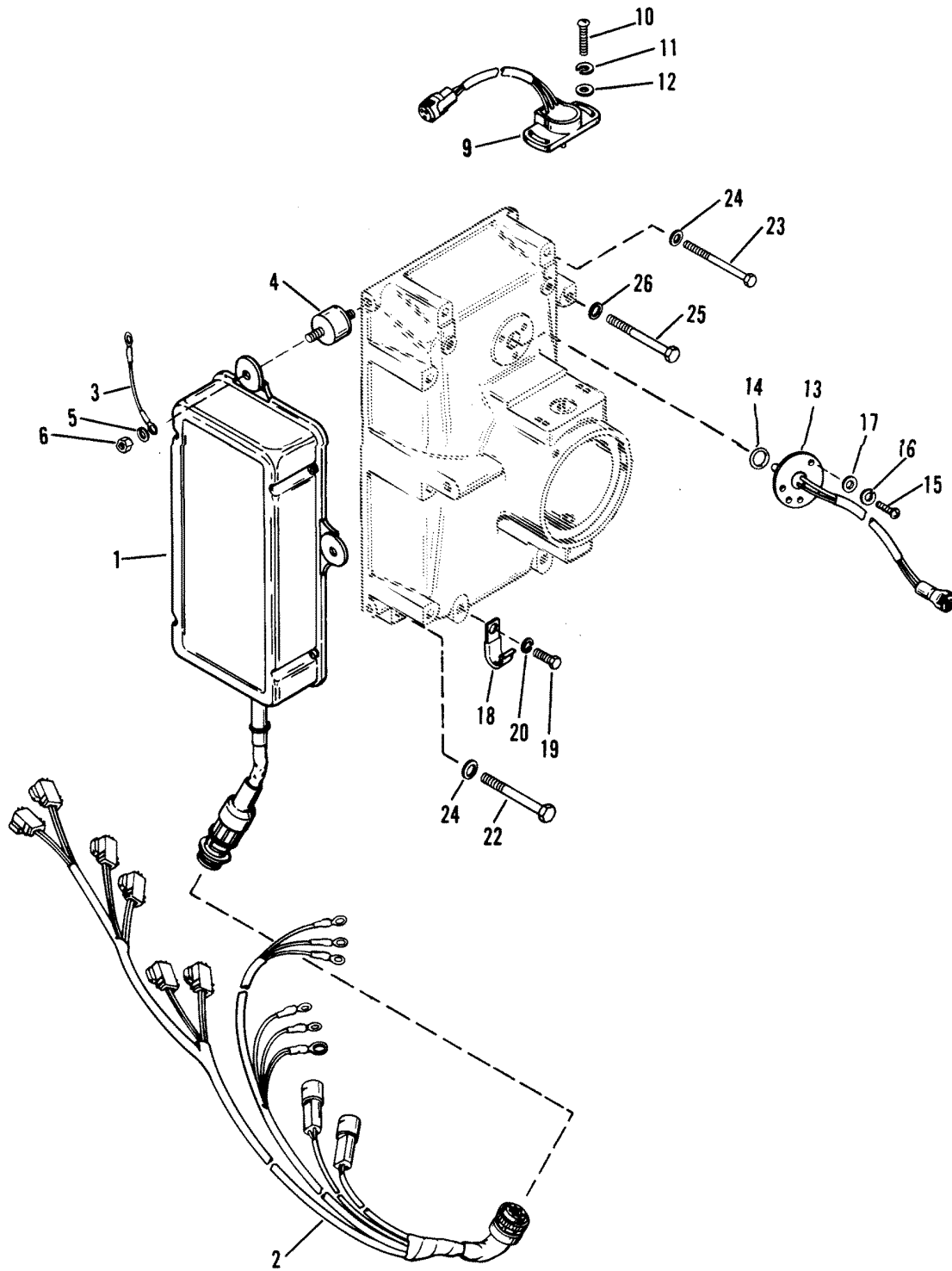
AIR INLET/THROTTLE LINKAGE



AIR INLET/THROTTLE LINKAGE

REF. NO.	PART NO.	SYM.	QTY.	DESCRIPTION
1	27-99316		1	GASKET, AIR INLET
2	13256A2		1	AIR INLET ASSEMBLY
3	22-71191		3	ELBOW
5	17-24800		2	ROLLPIN, THROTTLE SHAFT
6	13638--1		1	THROTTLE SHAFT
7	24-13554		1	SPRING, THROTTLE
8	54-12240		1	CLAMP, SHUTTER SHAFT RETAINING
9	98715--4		1	THROTTLE SHUTTER
10	10-20055		3	SCREW, THROTTLE SHUTTER AND CLAMP
11	13-26996		3	LOCKWASHER, THROTTLE SHUTTER SCREW
12	12-24676		1	WASHER, THROTTLE CLAMP SCREW
13	13726		1	THROTTLE LEVER
14	23-12245		1	BUSHING, THROTTLE LEVER
15	10-41089		1	SCREW, THROTTLE LEVER TO SHAFT
16	13-26995		1	LOCKWASHER, THROTTLE LEVER SCREW
17	10-41355		1	SCREW, SET-THROTTLE LEVER
18	13874--1		1	MOUNT, BELLCRANK
19	16-14689		1	STUD, BELLCRANK
20	10-74822		2	SCREW, BELLCRANK MOUNT
21	12-22753		2	WASHER, MOUNT SCREW
23	13873--1		1	BELLCRANK
24	12-21631		1	WASHER, BELLCRANK STUD
25	11-36069		1	NUT, BELLCRANK STUD
26	13925		1	LINK, THROTTLE (LONG)
27	11-20013		2	NUT, JAM
28	13923		2	ROD END
29	13926		1	LINK, THROTTLE (SHORT)
30	10-92702		2	SCREW, THROTTLE LINK TO BELLCRANK
31	12-29245		2	WASHER, THROTTLE LINK SCREW
32	11-36069		2	NUT, THROTTLE LINK SCREW
33	12-21631		1	WASHER, THROTTLE LINK
34	13-29720		1	WAVE WASHER, THROTTLE LINK
35	18-21071		1	COTTER PIN, THROTTLE LINK
36	22-59169		1	TEE FITTING
37	32-66285--4		1	HOSE, FUEL

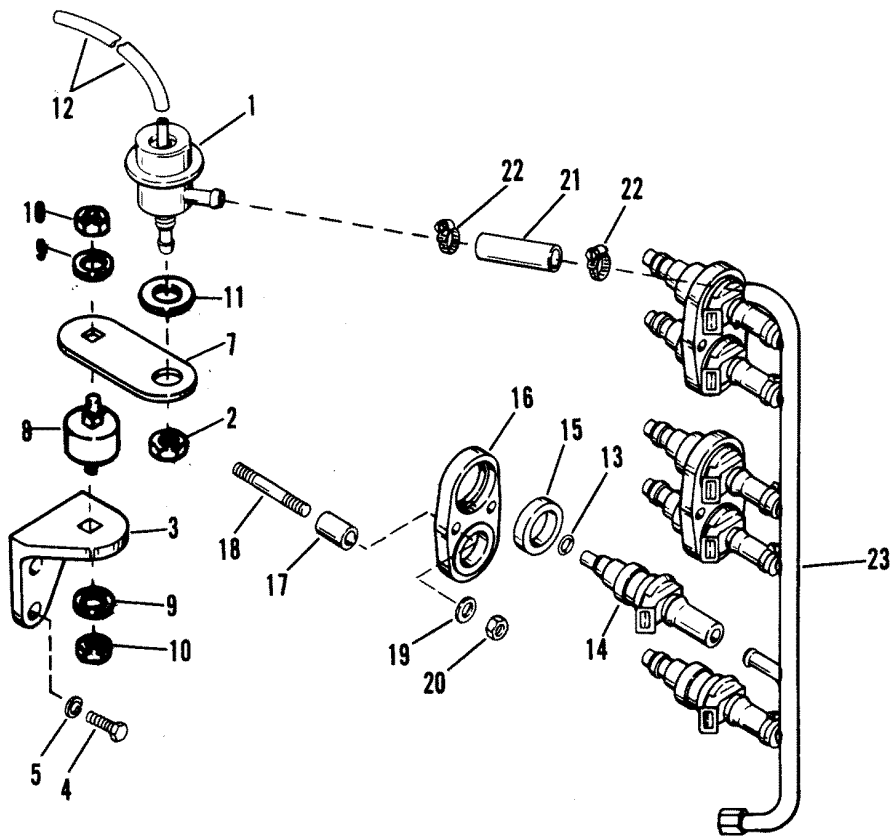
E.F.I. CONTROL BOX



E.F.I. CONTROL BOX

REF. NO.	PART NO.	SYM.	QTY.	DESCRIPTION
1	11350A4		1	I. CONTROL BOX
2	84-98866A4		1	HARNESS ASSEMBLY, E.F.I.
3	84-65999A10		1	CABLE ASSEMBLY (BLACK)
4	12234		3	MOUNT, E.F.I. CONTROL BOX
5	12-21631		3	WASHER, MOUNT
6	11-72008		3	NUT, MOUNT
9	14882		1	THROTTLE POSITION INDICATOR
10	10-76290		2	SCREW, INDICATOR RETAINING
11	13-26996		2	LOCKWASHER, INDICATOR SCREW
12	12-21273		2	WASHER, INDICATOR SCREW
13	96718A1		1	TEMPERATURE SENSOR ASSEMBLY
14	25-45711		1	O RING, TEMPERATURE SENSOR
15	10-57583		3	SCREW, TEMPERATURE SENSOR
16	13-26995		3	LOCKWASHER, TEMPERATURE SENSOR SCREW
17	12-20670		3	WASHER, TEMPERATURE SENSORS CREW
18	54-92850		2	"J" CLIP, INJECTOR HARNESS SUPPORT
19	10-28635		2	SCREW, "J" CLIP
20	13-26992		2	LOCKWASHER, "J" CLIP SCREW
22	10-70732		2	SCREW, INLET TO ADAPTOR (2") - BOTTOM
23	10-99305		2	SCREW, INLET TO ADAPTOR (3-1/2") - TOP
24	12-29245		4	WASHER, INLET SCREWS (1/4")
25	10-74191			SCREW, INLET TO ADAPTOR (5/16" X 3-1/4") 4
26	12-22753		4	WASHER, INLET SCREW

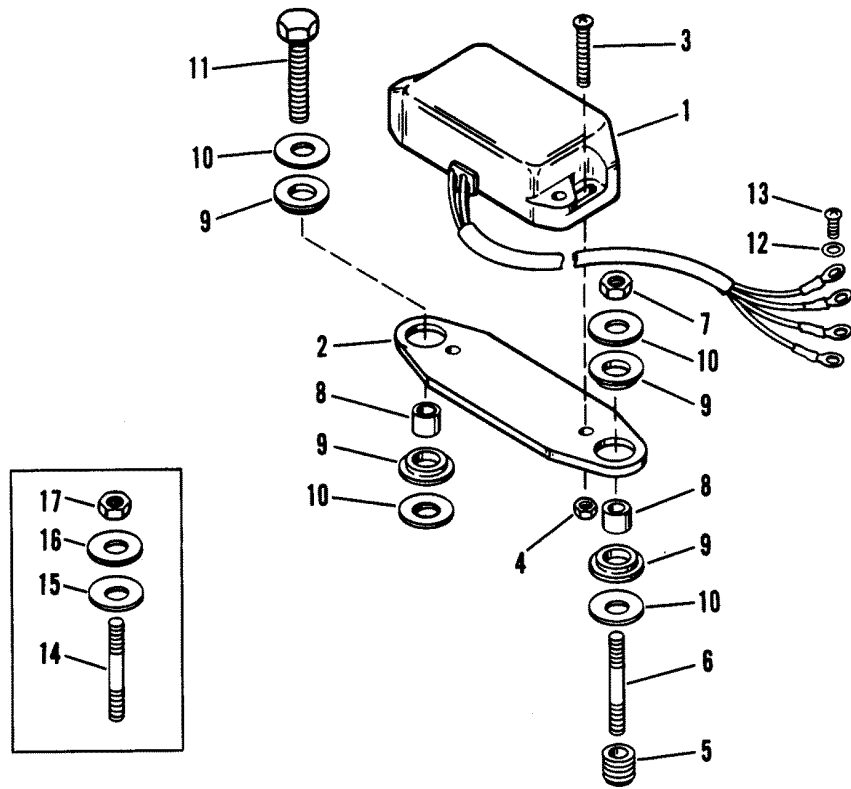
FUEL INJECTORS



FUEL INJECTORS

REF. NO.	PART NO.	SYM.	QTY.	DESCRIPTION
1	41378A2		1	FUEL REGULATOR
2	11-15018		1	NUT, FULE REGULATOR
3	99944		1	BRACKET, MOUNTING
4	10-28636		2	SCREW, BRACKET
5	13-26992		2	LOCKWASHER, BRACKET SCREW
7	99945		1	SUPPORT, MOUNTING BRACKET
8	90435		1	RUBBER MOUNT
9	12-24664		2	WASHER
10	11-20361		2	NUT
11	12-26168		1	WASHER, FUEL REGULATOR
12	32-66285--4		1	HOSE, FUEL
13	26-94219		6	SEAL,FUEL INJECTOR
14	98818		6	INJECTOR, FUEL
15	25-99123		6	GROMMET, HOLD DOWN
16	98716		3	HOLD DOWN , INJECTOR
17	98717		6	SPACER, HOLD DOWN
18	16-21184		6	STUD, HOLD DOWN
19	12-29245		6	WASHER, HOLD DOWN STUD
20	11-20061		6	NUT, HOLD DOWN STUD
21	32-61649--3		1	HOSE, FUEL
22	54-54428		2	CLAMP, FUEL HOSE
23	98710		1	FUEL RAIL

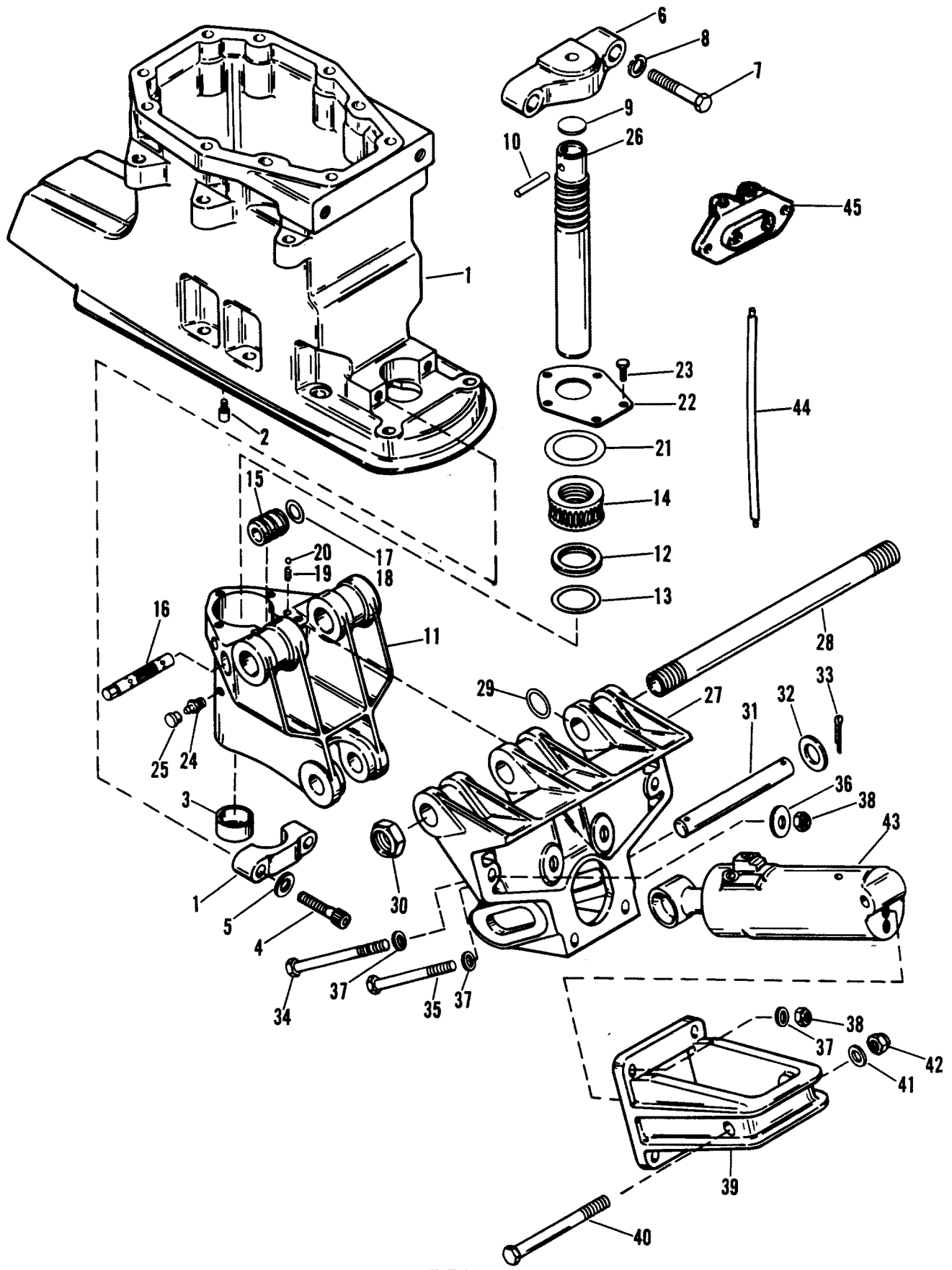
REV LIMITER



REV LIMITER

REF. NO.	PART NO.	SYM.	QTY.	DESCRIPTION
1	86926A6		1	REV LIMITER ASSEMBLY
2	85994		1	BRACKET, SPEED LIMITER OLD STYLE
3	10-65384		2	SCREW, SPEED LIMITER TO BRACKET OLD STYLE
4	11-20110		2	NUT, BRACKET SCREW OLD STYLE
5	22-86987		1	PIPE PLUG, CYLINDER BLOCK OLD STYLE
6	16-46857		1	STUD, BRACKET TO CYLINDER BLOCK (SHORT) OLD STYLE
7	11-35814		1	NUT, BRACKET STUD OLD STYLE
8	23-67268		2	SPACER, BRACKET STUD OLD STYLE
9	12-67264		4	WASHER, RUBBER OLD STYLE
10	12-36042		4	WASHER, BRACKET STUD OLD STYLE
11	10-69097		1	SCREW, MOUNTING BRACKET OLD STYLE
12	13-26996		1	LOCKWASHER, GROUND SCREW OLD STYLE
13	10-45218		1	SCREW, REV LIMITER GROUND OLD STYLE
14	16-30172		2	STUD, REV LIMITER NEW STYLE
15	12-49221--1		4	WASHER, RUBBER NEW STYLE
16	12-21273		4	WASHER, METAL NEW STYLE
17	11-20110		2	NUT, REV LIMITER STUD NEW STYLE

DRIVE SHAFT HOUSING



DRIVE SHAFT HOUSING

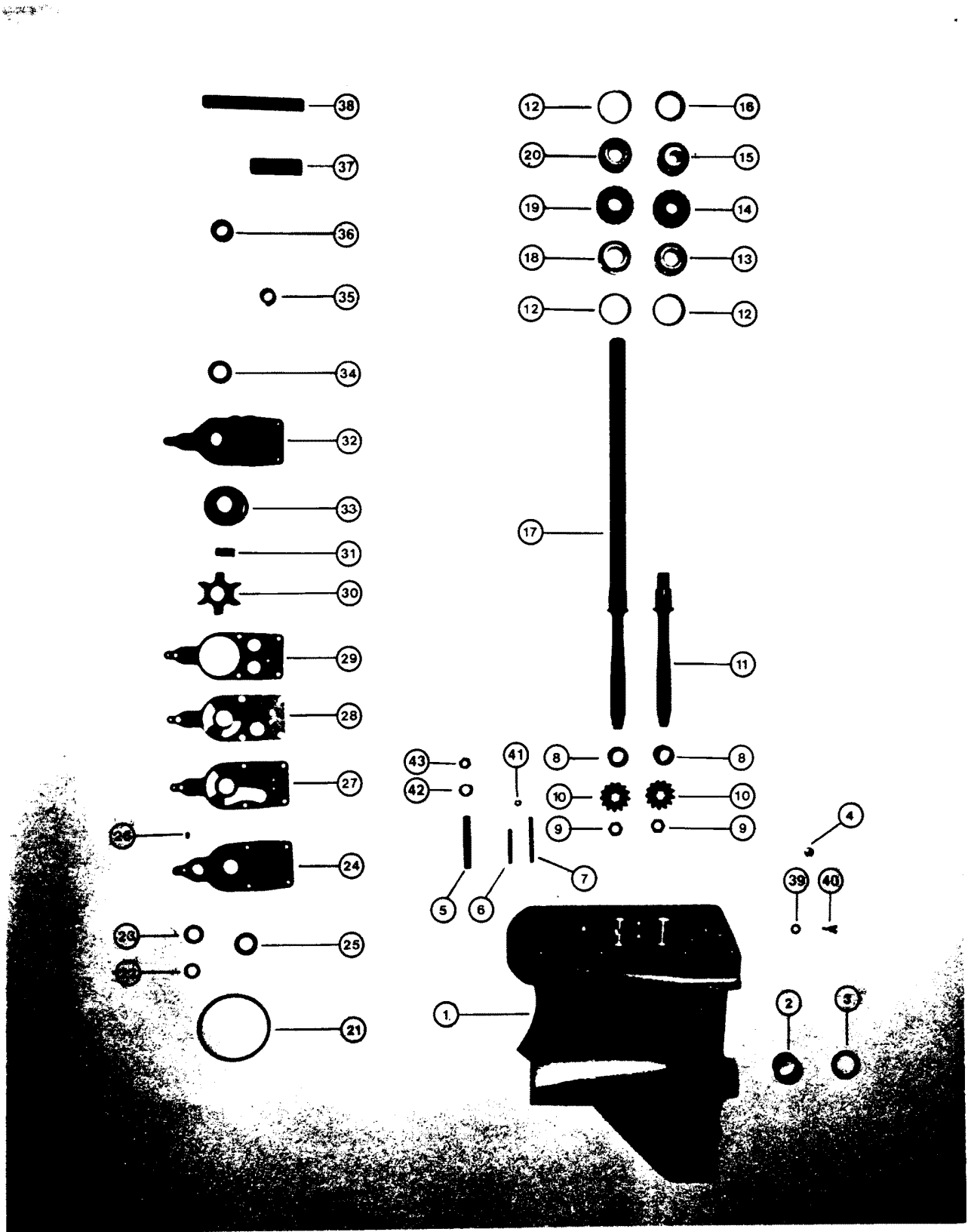
REF. NO.	PART NO.	SYM.	QTY.	DESCRIPTION
1	1581-7320A9		1	DRIVE SHAFT HOUSING ASEMBLY
2	17-85993		2	DOWEL PIN
3	23-71583		1	SLEEVE (BOTTOM)
4	10-99524		2	SCREW
5	12-27025		2	WASHER
6	74768		1	TOP YOKE
7	10-71582		2	SCREW
8	13-71580		2	LOCKWASHER
9	23-77743		1	SPACER (DISC)
10	17-85755		1	PIN
11	71609		1	SWIVEL BRACKET
12	12-71586		1	THRUST BEARING
13	15-71585A1		1	SHIM ASSEMBLY
14	43-71601		1	WORM GEAR
15	43-71584		1	WORM
16	71591		1	WORM SHAFT
17	12-92721		1	WASHER
18	12-28121		2	WASHER
19	24-48917		2	SPRING, DETENT
20	38204		2	BALL
21	15-67831A1		AR	SHIM ASSEMBLY
22	71590		1	COVER
23	10-98253		5	SCREW
24	22-23612		2	GREASE FITTING
25	19-77633		2	LUBRICAP
26	17-71598		1	SWIVEL PIN
27	71608		1	TRANSOM BRACKET
28	71599		1	TILT TUBE
29	15-21158A1		AR	SHIM ASSEMBLY
30	11-34862		2	NUT
31	17-71592		1	TRIM PIN
32	12-59378		2	WASHER
33	18-34212		2	COTTER PIN
34	10-46196		4	SCREW
35	10-70832		2	SCREW
36	12-70833		2	WASHER
37	12-45176		10	WASHER
38	11-34933		6	NUT
39	69337--3		1	BRACKET, TRIM CYLINDER
40	10-97934		1	SCREW, TRIM CYLINDER
41	12-20959		1	WASHER

CONTINUED ON NEXT PAGE ➡

DRIVE SHAFT HOUSING

REF. NO.	PART NO.	SYM.	QTY.	DESCRIPTION
42	11-35000		1	NUT
43	45194A20		1	TRIM CYLINDER ASSEMBLY
44	32-70069		2	TRIM HOSE (18")
	32-67033		2	TRIM HOSE (8')
45	47347		1	CONNECTOR, TRIM HOSE

GEAR HOUSING (DRIVE SHAFT)

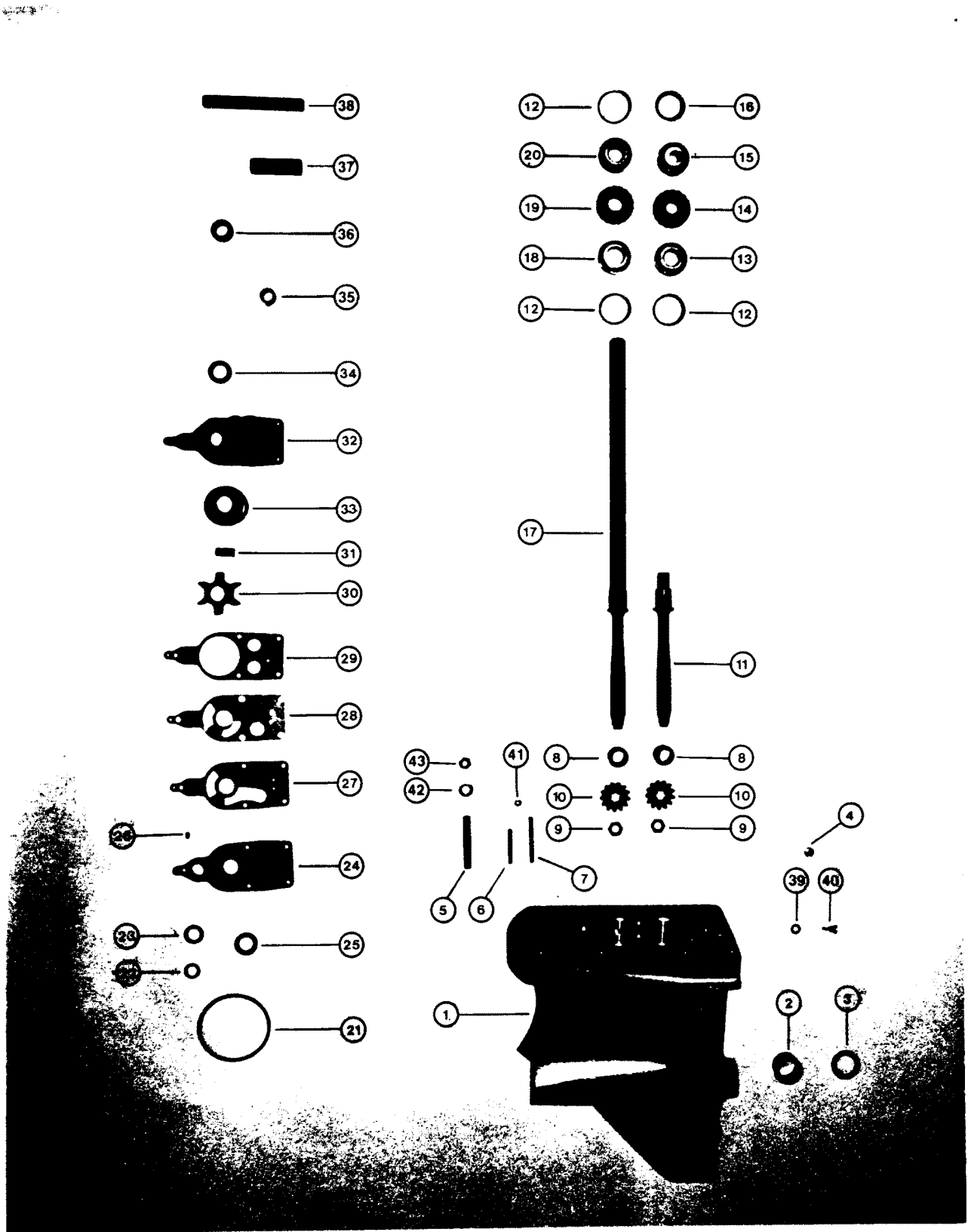


GEAR HOUSING (DRIVE SHAFT)

REF. NO.	PART NO.	SYM.	QTY.	DESCRIPTION
-	1657-7461A11		1	GEAR HOUSING ASSEMBLY, COMPLETE
1	1657-7461A1		1	GEARCASE HOUSING ASSEMBLY
2	31-87013		1	ROLLER BEARING, PROPELLER SHAFT
3	26-96435		2	OIL SEAL, PROPELLER SHAFT
4	22-73379		AR	PLUG BRASS
	21-44546		AR	PRESSURE RELIEF VALVE
5	16-57935		8	STUD, GEARCASE TO DRIVE SHAFT HOUSING (7/16")
6	16-20990		3	STUD, WATER PUMP (1/4 X 1-13/16)
7	16-33778		2	STUD, WATER PUMP (1/4 X 2-5/8)
8	31-31524		2	ROLLER BEARING, DRIVE SHAFT
9	11-30932		2	NUT, PINION GEAR
10	43-62943A1		2	PINION GEAR (14 TOOTH)
11	45-87015		1	DRIVE SHAFT, REAR
12	15-38657A1		AR	SHIM ASSEMBLY, DRIVE SHAFT BEARING
13	31-38678A1		1	BEARING ASSEMBLY, DRIVE SHAFT (LOWER)
14	43-60928		1	GEAR, HELICAL (DRIVE SHAFT)
15	31-38681A1		1	BEARING ASSEMBLY, DRIVE SHAFT (UPPER)
16	15-38668A1		AR	SHIM ASSEMBLY, DRIVE SHAFT BEARING
17	45-87014		1	DRIVE SHAFT, FRONT
18	31-38680A1		1	BEARING ASSEMBLY, DRIVE SHAFT (LOWER)
19	43-60929		1	GEAR, HELICAL (DRIVE SHAFT)
20	31-38678A1		1	BEARING ASSEMBLY, DRIVE SHAFT (UPPER)
21	25-32069		1	"O"RING, WATER PUMP BASE TO GEARCASE (LARGE)
22	23-59386		1	SPACER, "O"RING - WATER PUMP
23	25-35276		1	"O"RING, WATER PUMP BASE TO GEARCASE (SMALL)
24	46-38631A1		1	WATER PUMP BASE ASSEMBLY
25	26-55905		2	OIL SEAL, WATER PUMP BASE
26	17-29596		2	DOWEL PIN, WATER PUMP BASE
27	27-60926		1	GASKET, WATER PUMP BASE TO FACE PLATE
28	60927		1	FACE PLATE, WATER PUMP
29	27-38659		1	GASKET, WATER PUMP BODY TO FACE PLATE
30	47-89984		1	IMPELLER, WATER PUMP
31	28-56654		1	KEY, WATER PUMP IMPELLER
32	46-70090A1		1	WATER PUMP BODY ASSEMBLY
33	30915		1	INSERT, WATER PUMP BODY
34	26-79884		1	OIL SEAL, WATER PUMP BODY
35	26-36557		1	SEAL, WATER INLET TUBE
36	25-30271		1	RING, RUBBER
37	23-29804		1	SLEEVE, WATER TUBE GUIDE
38	32-57456		1	WATER TUBE

CONTINUED ON NEXT PAGE ➡

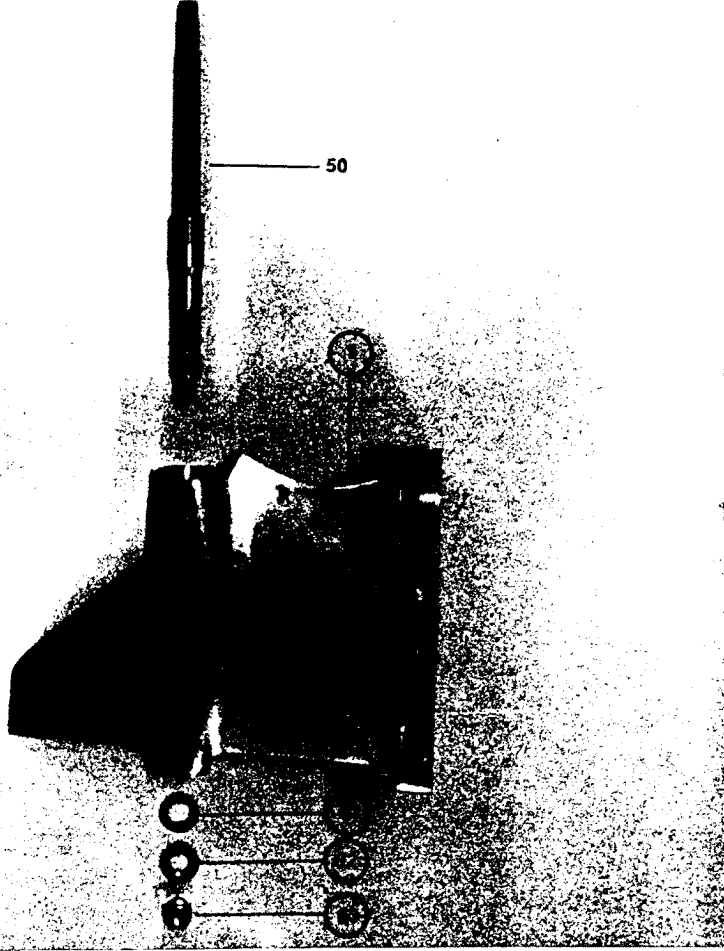
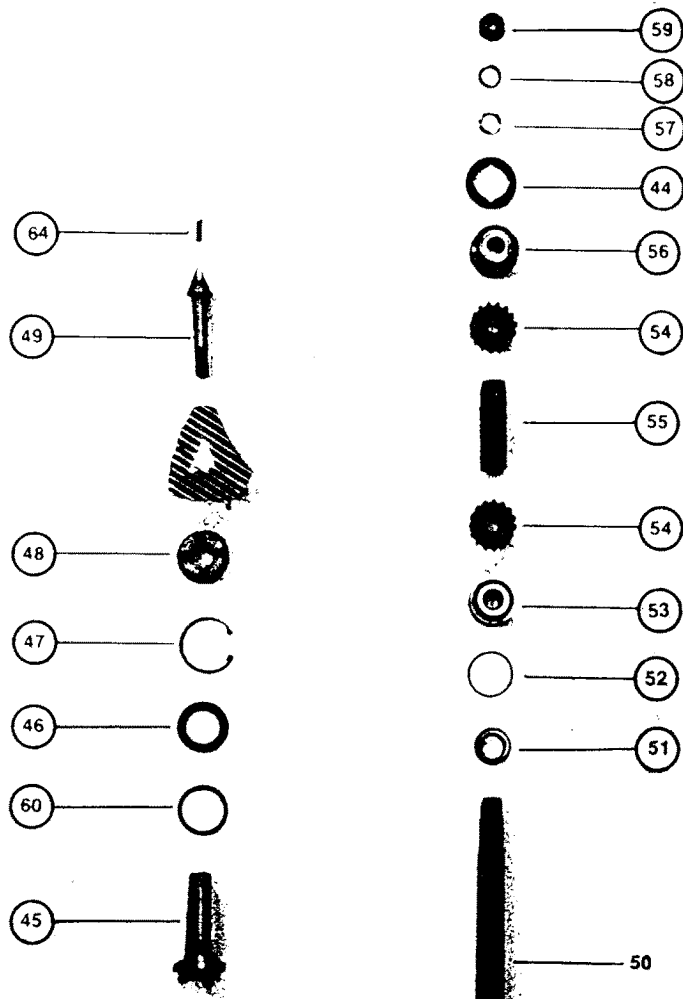
GEAR HOUSING (DRIVE SHAFT)



GEAR HOUSING (DRIVE SHAFT)

REF. NO.	PART NO.	SYM.	QTY.	DESCRIPTION
39	12-20260		2	WASHER, SEALING - FILLER SCREW
40	22-67892		2	SCREW, FILLER
41	11-30506		5	NUT, WATER PUMP STUD (1/4")
42	12-45176		8	WASHER, DRIVE SHAFT HOUSING STUD
43	11-34933		8	NUT, DRIVE SHAFT HOUSING (7/16")

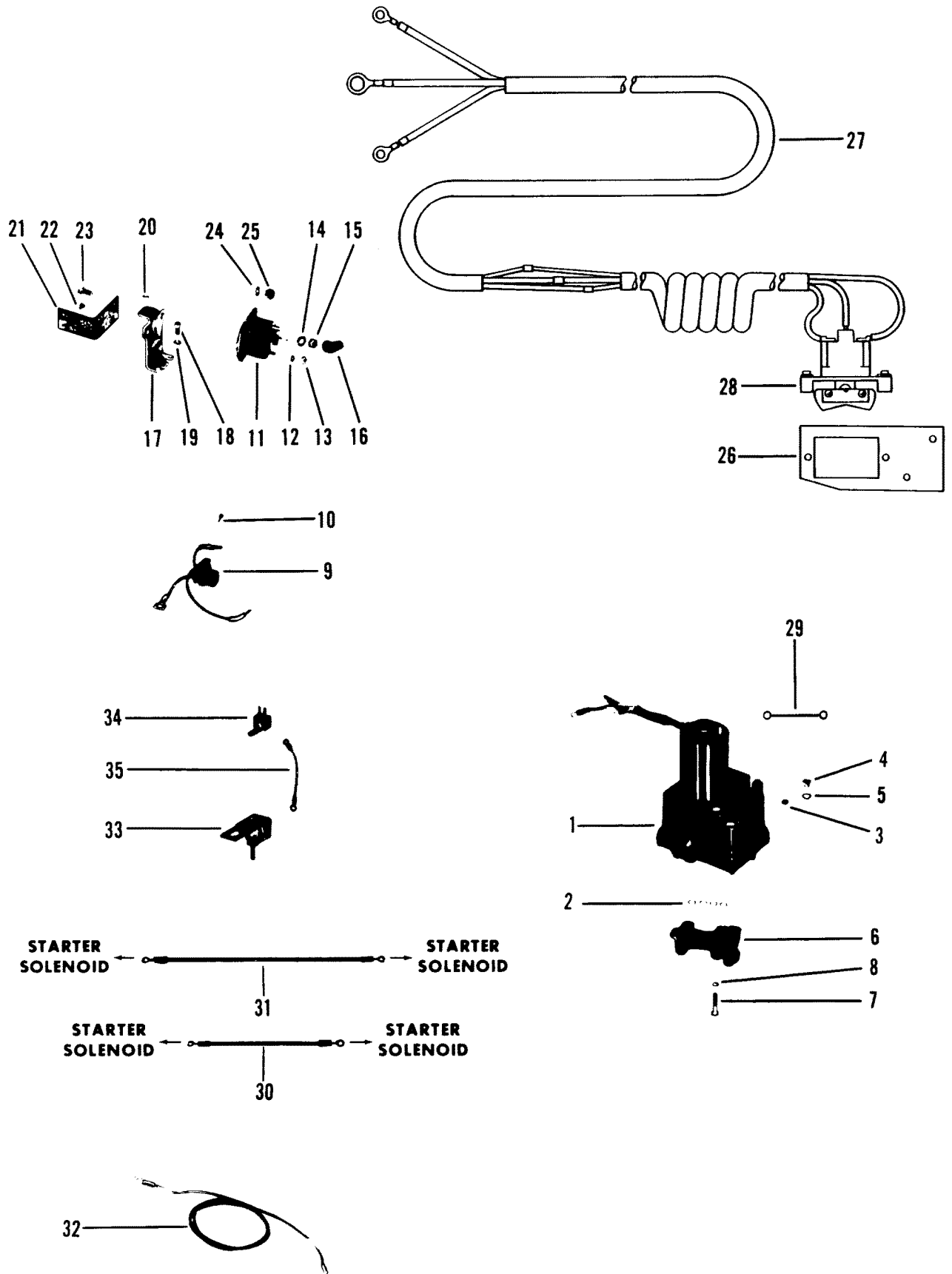
GEAR HOUSING (PROPELLER SHAFT)



GEAR HOUSING (PROPELLER SHAFT)

REF. NO.	PART NO.	SYM.	QTY.	DESCRIPTION
-	1657-7461A11		1	GEAR HOUSING ASSEMBLY, COMPLETE
1	1657-7461A1		1	GEARCASE HOUSING ASSEMBLY
44	53-28576		1	NUT, BEARING RETAINER
45	38652		1	ANCHOR STUD
46	12-28565		1	WASHER, SEALING
47	53-28562		1	SNAP RING
48	34195		1	COVER, GEARCASE
49	10-34150		1	SCREW, NOSE CONE RETAINER
50	44-78432		1	PROPELLER SHAFT
51	12-38688		1	WASHER, SPECIAL (PROPELLER SHAFT)
52	15-32563A1		AR	SHIM ASSEMBLY, REAR PROPELLER SHAFT BEARING
53	31-32575A1		1	BEARING ASSEMBLY, PROPELLER SHAFT (REAR)
54	N.S.S.		2	,GEAR, PROPELLER SHAFT (PART OF 43-62943A1)
55	23-38661		1	SPACER, PROPELLER SHAFT GEAR
56	31-70087A1		1	BEARING ASSEMBLY, PROPELLER SHAFT (FRONT)
57	12-90405		1	WASHER, CONVEX
58	12-90404		1	WASHER, CONCAVE
59	11-22339		1	NUT, PROPELLER SHAFT RETAINING
60	25-26855		1	"O"RING
61	12-39701		1	WASHER, PROPELLER SHAFT (SPLINED)
62	12-39698		1	WASHER, PROPELLER SHAFT (PLAIN)
63	11-52707A1		1	NUT, PROPELLER SHAFT
64	65700		1	PLUG, NOSE CONE SCREW

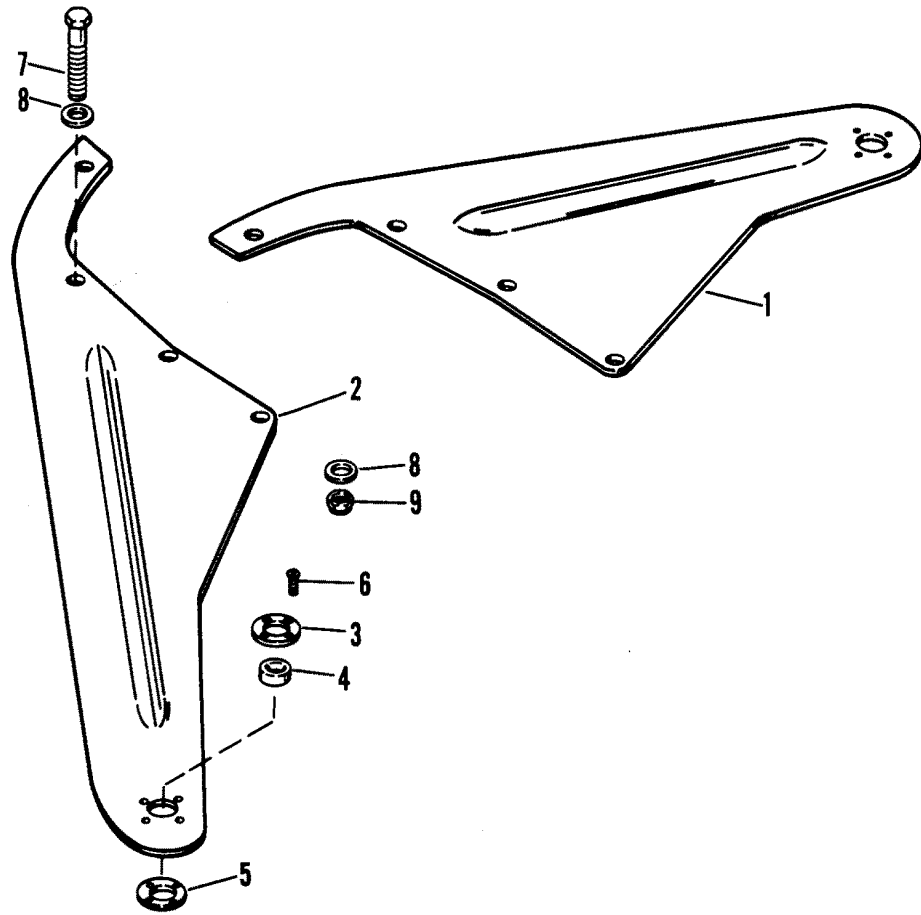
HYDRAULIC PUMP AND BRACKET



HYDRAULIC PUMP AND BRACKET

REF. NO.	PART NO.	SYM.	QTY.	DESCRIPTION
1	92975A6		1	HYDRAULIC PUMP ASSEMBLY
2	25-48171		4	"O"RING, HYDRAULIC PUMP
3	10-62269		1	VENT SCREW
4	10-79953		1	SCREW, FILLER
5	12-20260		1	SEALING WASHER
6	90762A2		1	CONTROL VALVE ASSEMBLY
-	25-48171		4	,"O"RING (SAME AS REF.NO.2)
7	10-21091		4	SCREW, CONTROL VALVE TO PUMP
8	13-26992		4	LOCKWASHER, CONTROL VALVE SCREW
9	84-74023A1		1	CONNECTOR AND HARNESS (W/O FUSE)
	84-79147A3		1	CONNECTOR AND HARNESS (WITH FUSE)
10	10-62568		1	SCREW, HARNESS ATTACHING
11	89-68258A4		2	STARTER SOLENOID
12	13-26996		4	LOCKWASHER (#10)
13	11-20110		4	NUT (#10)
14	12-22753		4	WASHER (5/16")
15	11-26484		4	NUT (5/16")
16	46265		3	BOOT, RUBBER
17	74407T		1	BRACKET, MOUNTING-SOLENOID
18	10-48063		2	SCREW, BRACKET TO PUMP
19	13-26992		2	LOCKWASHER, MOUNTING SCREW
20	11-20110		1	NUT, PUMP BOLT
21	74406		1	BRACKET, SOLENOID MOUNTING
22	26901		1	BUMPER, PUMP TO BRACKET
23	10-32417		2	SCREW, SOLENOID TO BRACKET (5/8")
	10-60300		2	SCREW, SOLENOID TO BRACKET (3/4")
24	13-26992		4	LOCKWASHER, SOLENOID SCREW
25	11-20361		4	NUT, SOLENOID SCREW
26	61626A1		1	PLATE ASSEMBLY, TRIM SWITCH
27	84-61703A4		1	HARNESS ASSEMBLY, TRIM SWITCH
28	87-61691		1	ROCKER SWITCH
29	84-65999A4		1	CABLE ASSEMBLY (BLACK - SHORT)
	84-65999A10		1	CABLE ASSEMBLY (BLACK - LONG)
30	84-79139A2		1	JUMPER WIRE, SOLENOID (RED)
31	84-65999A6		1	JUMPER WIRE, SOLENOID (RED)
32	84-79139A9		1	BATTERY LEAD (POSITIVE)
	84-79138A1		1	BATTERY LEAD (NEGATIVE)
33	88-79023A90		1	FUSE ASSEMBLY (90 AMP)
34	88-79137--1		1	CIRCUIT BREAKER
35	84-79147A1		1	JUMPER WIRE (RED)

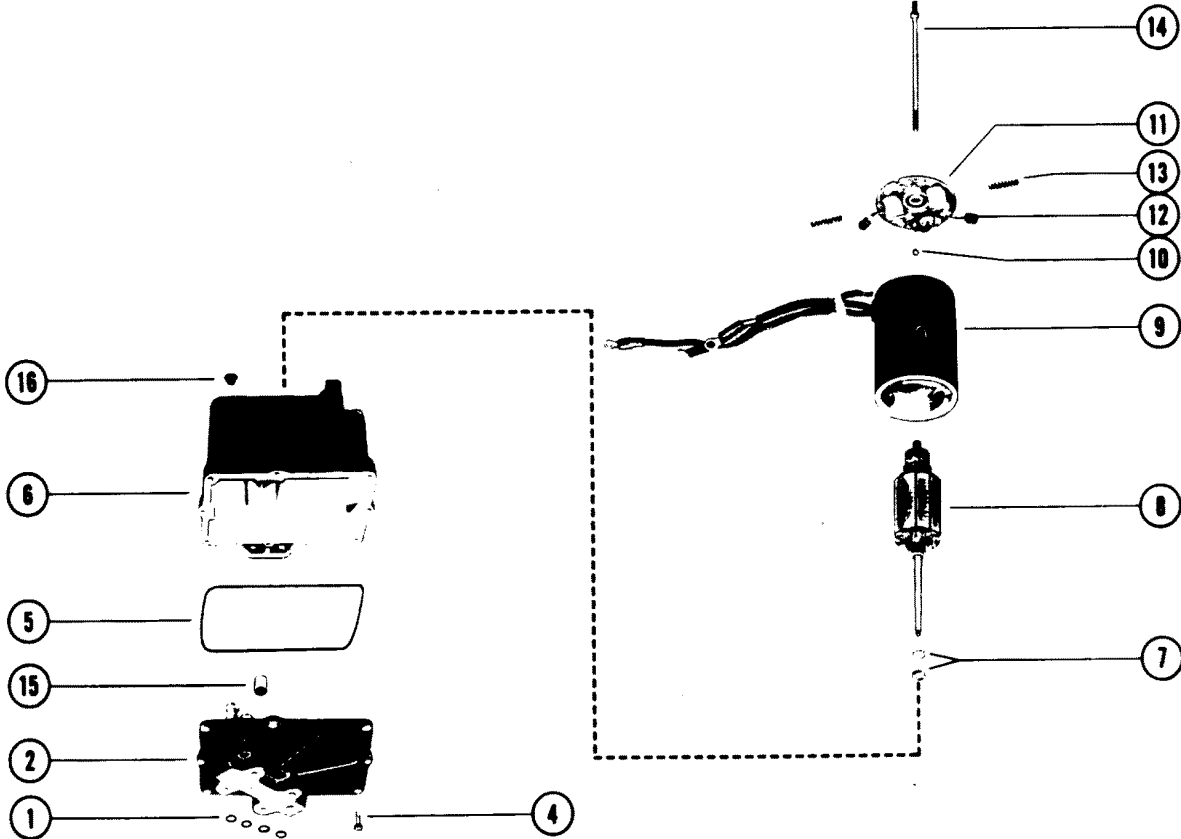
STEERING PLATES



STEERING PLATES

REF. NO.	PART NO.	SYM.	QTY.	DESCRIPTION
1	69333A1		1	STEERING PLATE ASSEMBLY (STARBOARD)
2	69332A1		1	STEERING PLATE ASSEMBLY (PORT)
3	67022		2	STEERING PLATE, UPPER
4	23-67023		2	BUSHING
5	69024		2	STEERING PLATE, LOWER
6	10-66676		8	SCREW
7	10-56393		8	SCREW, PLATE TO DRIVE SHAFT HOUSING
8	12-34567		16	WASHER, PLATE SCREW
9	11-35053		8	NUT, PLATE SCREW

HYDRAULIC PUMP ASSEMBLY



HYDRAULIC PUMP ASSEMBLY

REF. NO.	PART NO.	SYM.	QTY.	DESCRIPTION
-	92975A6		1	HYDRAULIC PUMP ASSEMBLY
1	25-48171		4	"O" RING, HYDRAULIC PUMP
2	392-8317		1	VALVE BODY AND GEAR ASSEMBLY
4	10-69570		8	SCREW, VALVE BODY TO RESERVOIR
5	392-7735		1	SEAL, RESERVOIR TO VALVE BODY AND GEAR
6	392-7731		1	RESERVOIR ASSEMBLY (PLASTIC)
7	392-7732		AR	WASHER, THRUST-ARMATURE
8	392-7729		1	ARMATURE, FIELD AND FRAME
9	392-8261		1	FIELD AND FRAME ASSEMBLY
10	392-7730		1	BALL, COMMUTATOR END PLATE
11	392-8262		1	PLATE ASSEMBLY, COMMUTATOR END
12	392-2941		1	BRUSH SET, COMMUTATOR END PLATE
13	392-2529		1	SPRING SET, BRUSH TENSION
14	392-7733		1	BOLT SET, THRU-PLATE AND FRAME TO RESERVOIR
15	392-7727		1	COUPLER AND SHAFT
16	392-7728		1	FILL PLUG, RESERVOIR

PARTS INDEX

Part Number	Description	Pg.	Ref. No.	Part Number	Description	Pg.	Ref. No.
11198	ADAPTOR	25	19	61626A1	PLATE ASSEMBLY, TRIM		
11199A2	THROTTLE POSITION INDICATOR	25	20	62351A2	RECTIFIER	47	26
11200	ADAPTOR SHAFT	25	18	65503A4	HOUSING ASSEMBLY, STOP SWITCH	9	16
11350A4	I. CONTROL BOX	31	1			9	38
12234	MOUNT, E.F.I. CONTROL BOX	31	4	65700	PLUG, NOSE CONE SCREW	45	64
12955A3	BOTTOM COWL ASSEMBLY	5	13	65799	LINK, LOCKING LEVER TO COVER	13	31
13256A2	AIR INLET ASSEMBLY	29	2	65800	SEAL, CARRIER	23	5
13624	PLATE, IGNITION	9	1	67022	STEERING PLATE, UPPER	49	3
13638--1	THROTTLE SHAFT	29	6	67614	COVER, IGNITION COIL	7	20
13726	THROTTLE LEVER	29	13	68042	STOP, RUBBER - STARTER MOTOR	7	13
13734	RETAINER, HOLD DOWN	5	14	69024	STEERING PLATE, LOWER	49	5
13873--1	BELLCRANK	29	23	69332A1	STEERING PLATE ASSEMBLY (PORT)	49	2
13874--1	MOUNT, BELLCRANK	29	18	69333A1	STEERING PLATE ASSEMBLY (STARBOARD)	49	1
13923	ROD END	29	28	69337--3	BRACKET, TRIM CYLINDER	37	39
13925	LINK, THROTTLE (LONG)	29	26	71590	COVER	37	22
13926	LINK, THROTTLE (SHORT)	29	29	71591	WORM SHAFT	37	16
14410A1	FRONT COVER	5	2	71599	TILT TUBE	37	28
14882	THROTTLE POSITION INDICATOR	31	9	71602	YOKE, COWL HOLD DOWN	3	13
26852	CAP, NYLON-ADJUSTING SCREW	15	31	71602	YOKE, COWL HOLD DOWN	5	5
26852	CAP, SPARK ADVANCE LEVER STOP SCREW	13	8	71608	TRANSOM BRACKET	37	27
26852	CAP, THROTTLE LEVER STOP SCREW	13	17	71609	SWIVEL BRACKET	37	11
26901	BUMPER, PUMP TO BRACKET	47	22	73498	CLAMP, WATER HOSE	19	12
30915	INSERT, WATER PUMP BODY	41	33	73498	STA-STRAP, WATER HOSES	17	15
34195	COVER, GEARCASE	45	48	74406	BRACKET, SOLENOID MOUNTING	47	21
38204	BALL	37	20	74407T	BRACKET, MOUNTING-SOLENOID	47	17
38652	ANCHOR STUD	45	45	74768	TOP YOKE	37	6
39483	LATCH, CABLE	13	18	74897	PIVOT, TRIGGER PLATE	13	1
41378A2	FUEL REGULATOR	33	1	75095A1	CAP ASSEMBLY, STOP SWITCH	9	39
42013	CYLINDER HEAD	17	1	76035	LINK ROD, TRIGGER PLATE	13	4
42249	COVER, STARTER MOTOR (UPPER)	15	6	76366	PLATE, IGNITION PANEL	9	33
42348	BRACKET, ANCHOR - CONTROL CABLES	13	24	76867	COVER, STARTER MOTOR (LOWER)	15	9
42838--1	SEAL, DIVIDER PLATE	19	3	77376--2	SHIELD, AIR INLET	3	4
45194A20	TRIM CYLINDER ASSEMBLY	39	43	77377	PLATE, COWL BASE	3	19
45559	TERMINAL BLOCK	9	40	77377	PLATE, COWL BASE	5	20
45559	TERMINAL BLOCK	21	9	77832	COVER, NYLON - SHIFT CABLE	13	30
46265	BOOT, RUBBER	47	16	77833	LEVER, NYLON - SHIFT CABLE LOCKING	13	28
47347	CONNECTOR, TRIM HOSE	39	45	77834	CAP, BARREL RETAINER - ANCHOR BAR	13	27
54196A6	CARRIER ASSEMBLY, SEAL	23	4	77837	LEVER, THROTTLE CONTROL	13	9
56703	COLLAR, STARTER MOTOR	7	11	77980A8	BOTTOM COWL ASSEMBLY	3	12
57927	MOUNT, RUBBER - E.F.I. BOX	27	44	78441	LEVER, SPARK ADVANCE	13	5
58707	HOLD DOWN (BUNGY CORD)	5	8	78446A1	PLATE ASSEMBLY, EXHAUST	19	13
58707	HOLD DOWN, COWL (BUNGY CORD)	3	15	78857--1	SHIELD, AIR INLET	3	2
58809--6	TRIM MOLDING	3	10	78858--2	SHIELD, AIR INLET	3	3
58809--6	TRIM MOULDING	5	17	85994	BRACKET, SPEED LIMITER	35	2
60572	BARREL, THROTTLE CONTROL ROD	13	23	86926A6	REV LIMITER ASSEMBLY	35	1
60927	FACE PLATE, WATER PUMP	41	28	89279	SWIVEL, TRIGGER PLATE	13	2

PARTS INDEX

Part Number	Description	Pg.	Ref. No.	Part Number	Description	Pg.	Ref. No.
90390A1	COVER, THERMOSTAT	17	10	10-20646	SCREW, RECTIFIER TO		
90391	REED CLAMP	17	20		IGNITION PLATE (5/8") . .	9	17
90435	RUBBER MOUNT	33	8	10-21091	SCREW, CONTROL VALVE		
90762A2	CONTROL VALVE				TO PUMP	47	7
	ASSEMBLY	47	6	10-22028	SCREW, LEAD TO		
92975A6	HYDRAULIC PUMP				TERMINAL BLOCK	11	46
	ASSEMBLY	47	1	10-22486	SCREW, CABLE LATCH TO		
92975A6	HYDRAULIC PUMP				THROTTLE LEVER	13	19
	ASSEMBLY	51	-	10-22523	SCREW, TERMINAL BLOCK		
93860A1	FUEL PUMP ASSEMBLY,				TO PLATE (3/4")	11	45
	E.F.I.	21	1	10-24220	SCREW, SET-CYLINDER		
95067	COVER, EXHAUST				BLOCK (3/16")	15	22
	MANIFOLD	19	4	10-24637	SCREW, STOP SWITCH		
96030	BRACKET, FUEL PUMP	21	7		HOUSING (7/8")	11	42
96149	RETAINER, UPPER END			10-24878	SCREW, REED BLOCK		
	CAP	15	18		ATTACHING	17	22
96283	COVER, CYLINDER	17	5	10-28635	SCREW	21	6
96455A9	TRIGGER PLATE ASSEMBLY	7	9	10-28635	SCREW, "J" CLIP	25	30
96456	BRACKET, TIMING	15	33	10-28635	SCREW, "J" CLIP	31	19
96718A1	TEMPERATURE SENSOR			10-28636	SCREW, BRACKET	33	4
	ASSEMBLY	25	24	10-28636	SCREW, LOWER END CAP		
96718A1	TEMPERATURE SENSOR				(3/4")	15	27
	ASSEMBLY	31	13	10-29072	SCREW, STOP SWITCH		
98709--2	PLATE, REED BLOCK				HOUSING (5/8")	9	42
	MOUNTING	17	16	10-32417	SCREW, SOLENOID TO		
98710	FUEL RAIL	33	23		BRACKET (5/8")	47	23
98711	REED BLOCK	17	18	10-34150	SCREW, NOSE CONE		
98712A4	THROTTLE SHAFT				RETAINER	45	49
	ASSEMBLY	25	6	10-35386	SCREW, MOUNT TO INLET .	25	41
98715--4	THROTTLE SHUTTER	25	10	10-37562	SCREW, COVER TO		
98715--4	THROTTLE SHUTTER	29	9		CYLINDER BLOCK (1") . .	19	7
98716	HOLD DOWN , INJECTOR . .	33	16	10-38601	SCREW, PLATE TO BOTTOM		
98717	SPACER, HOLD DOWN	33	17		COWL	5	21
98722A3	AIR INLET ASSEMBLY	25	2	10-39669	SCREW, LOWER END CAP		
98810	CLAMP, SHUTTER SHAFT				(3/4")	15	27
	RETAINING	25	9	10-41089	SCREW, THROTTLE LEVER		
98818	INJECTOR, FUEL	33	14		TO SHAFT	25	15
99169	PLATE, DIVIDER	19	2	10-41089	SCREW, THROTTLE LEVER		
99193	COVER, RELIEF VALVE . . .	19	6		TO SHAFT	29	15
99216	BOTTOM MOUNT, E.F.I.BOX	25	40	10-41355	SCREW, - THROTTLE LEVER	25	17
99217	TOP MOUNT, E.F.I.BOX	25	39	10-41355	SCREW, SET-THROTTLE		
99312A3	I. CONTROL BOX	27	49		LEVER	29	17
99666A1	THROTTLE LEVER			10-45218	SCREW, REV LIMITER		
	ASSEMBLY	25	14		GROUND	35	13
99936	ROD, THROTTLE CONTROL			10-46196	SCREW	37	34
	(BOTTOM AIR INLET)	13	22	10-48063	SCREW, BRACKET TO		
99944	BRACKET, MOUNTING	33	3		PUMP	47	18
99945	SUPPORT, MOUNTING			10-52034	SCREW, INDICATOR		
	BRACKET	33	7		RETAINING	25	21
N.S.S.	,GEAR, PROPELLER SHAFT			10-53576	SCREW, ANCHOR BRACKET		
	(PART OF 43-62943A1) . .	45	54		(1-1/8")	13	25
10-12666	SCREW, SWITCH BOX TO			10-53576	SCREW, CRANKCASE TO		
	IGNITION PLATE	9	3		CYLINDER BLOCK (1-1/8")	15	13
10-14686	SCREW, REEDS TO REED			10-55337	SCREW, THROTTLE		
	BLOCK	17	21		LEVER/ADVANCE LEVER		
10-20055	SCREW, THROTTLE				(1-3/4")	13	10
	SHUTTER AND CLAMP	25	11	10-56393	SCREW, PLATE TO DRIVE		
10-20055	SCREW, THROTTLE				SHAFT HOUSING	49	7
	SHUTTER AND CLAMP	29	10	10-57583	SCREW, TEMPERATURE		
					SENSOR	25	26

PARTS INDEX

Part Number	Description	Pg.	Ref. No.	Part Number	Description	Pg.	Ref. No.
10-57583	SCREW, TEMPERATURE SENSOR	31	15	10-76290	SCREW, INDICATOR RETAINING	31	10
10-59702	SCREW, HARNESS CLAMP	9	27	10-76630	SCREW, ANCHOR BRACKET (1")	13	25
10-60147	SCREW, PLATE TO CRANKCASE	17	24	10-77065	SCREW, COVER TO CRANKCASE (2")	15	10
10-60300	SCREW, SOLENOID TO BRACKET (3/4")	47	23	10-77065	SCREW, THERMOSTAT COVER (2")	17	11
10-62269	VENT SCREW	47	3	10-77526	SCREW	19	17
10-62568	SCREW	21	10	10-79953	SCREW, FILLER	47	4
10-62568	SCREW, HARNESS ATTACHING	47	10	10-86843	SCREW, RETAINER	15	19
10-62568	SCREW, TERMINAL BLOCK	9	41	10-88447	SCREW, IGNITION COIL COVER (1-5/8")	7	21
10-62568	SCREW, WIRE ATTACHING	9	8	10-90198	SCREW, SOLENOID TO IGNITION PLATE (5/8")	9	21
10-64022	SCREW, ADJUSTING-CYLINDER BLOCK	15	29	10-90417	SCREW, STATOR	7	7
10-64022	SCREW, SPARK ADVANCE LEVER - STOP	13	6	10-91995	SCREW, CONNECTING ROD	23	14
10-64022	SCREW, THROTTLE LEVER - STOP (2-1/8")	13	15	10-92702	SCREW, THROTTLE LINK TO BELLCRANK	29	30
10-65384	SCREW, SPEED LIMITER TO BRACKET	35	3	10-94929	SCREW, CYLINDER HEAD (2")	17	3
10-66676	SCREW	49	6	10-97934	SCREW, TRIM CYLINDER	37	40
10-66717	SCREW, CRANKCASE TO CYLINDER BLOCK (3-1/4")	15	13	10-98253	SCREW	37	23
10-69034	SCREW, UPPER END CAP TO CYLINDER BLOCK (1")	15	21	10-98256	SCREW, PLATE TO BOTTOM COWL	3	20
10-69035	SCREW, CABLE TO STARTER MOTOR	7	17	10-99305	SCREW, INLET TO ADAPTOR (3-1/2") - TOP	25	34
10-69092	SCREW, IGNITION PLATE (1-1/4")	9	11	10-99305	SCREW, INLET TO ADAPTOR (3-1/2") - TOP	31	23
10-69097	SCREW, MOUNTING BRACKET	35	11	10-99524	SCREW	37	4
10-69570	SCREW, FRONT COVER	5	3	11-15018	NUT, FULE REGULATOR	33	2
10-69570	SCREW, VALVE BODY TO RESERVOIR	51	4	11-20013	NUT, JAM	29	27
10-70732	SCREW, INLET TO ADAPTOR (2") - BOTTOM	25	33	11-20061	NUT, HOLD DOWN STUD	33	20
10-70732	SCREW, INLET TO ADAPTOR (2") - BOTTOM	31	22	11-20110	NUT (#10)	47	13
10-70832	SCREW	37	35	11-20110	NUT, BRACKET SCREW	35	4
10-71582	SCREW	37	7	11-20110	NUT, PUMP BOLT	47	20
10-72094	SCREW, TIMING BRACKET	15	34	11-20110	NUT, REV LIMITER STUD	35	17
10-73657	SCREW, ANCHOR BRACKET (1-1/2")	13	25	11-20361	NUT	33	10
10-73657	SCREW, COVER TO CRANKCASE (1-1/2")	15	7	11-20361	NUT, RUBBER MOUNT (UPPER) (THIN)	27	48
10-74191	SCREW, INLET TO ADAPTOR (5/16" X 3-1/4")	25	36	11-20361	NUT, SOLENOID SCREW	47	25
10-74191	SCREW, INLETTO ADAPTOR (5/16" X 3-1/4") 4	31	25	11-20586	NUT, CABLE LATCH SCREW	13	21
10-74822	SCREW, BELLCRANK MOUNT	29	20	11-20586	NUT, PLATE SCREW	3	21
10-74824	SCREW, COVER AND PLATE TO CYLINDER BLOCK (1-1/4")	19	5	11-20586	NUT, RUBBER MOUNT (BOTTOM) (FULL)	27	47
10-74824	SCREW, CRANKCASE TO CYLINDER BLOCK (1-1/4")	15	13	11-20890	NUT, STARTER MOTOR TERMINAL	7	15
10-74824	SCREW, CYLINDER COVER TO CYLINDER HEAD (1-1/4")	17	7	11-22339	NUT, PROPELLER SHAFT RETAINING	45	59
				11-23161	NUT, POWERHEAD STUDS	19	16
				11-26484	NUT (5/16")	47	15
				11-26484	NUT, SOLENOID TERMINALS (5/16-18)	9	25
				11-28941	NUT, CLAMP SCREW	9	29
				11-30506	NUT, WATER PUMP STUD (1/4")	43	41
				11-30932	NUT, PINION GEAR	41	9
				11-34862	NUT	37	30
				11-34933	NUT	37	38

PARTS INDEX

Part Number	Description	Pg.	Ref. No.	Part Number	Description	Pg.	Ref. No.
11-35000	NUT	39	42	12-22753	WASHER, MOUNT SCREW	29	21
11-35053	NUT, PLATE SCREW	49	9	12-22887	WASHER, FRONT COVER SCREW	5	4
11-35814	NUT, BRACKET STUD	35	7	12-24664	WASHER	33	9
11-35888	NUT	9	32	12-24676	WASHER, THROTTLE CLAMP SCREW	25	13
11-36069	NUT, PLATE SCREW	5	22	12-24676	WASHER, THROTTLE CLAMP SCREW	29	12
11-36069	NUT, THROTTLE LINK SCREW	29	32	12-25909	WASHER, CYLINDER HEAD SCREW	17	4
11-36069	NUT, BELLCRANK STUD	29	25	12-25970	WASHER, POWERHEAD STUDS	19	15
11-45076	NUT, IGNITION COIL TERMINAL	7	22	12-26168	WASHER, FUEL REGULATOR	33	11
11-45076	NUT, RECTIFIER TERMINALS	9	18	12-27025	WASHER	37	5
11-45076	NUT, SWITCH BOX TERMINAL	9	6	12-28121	WASHER	37	18
11-45812	NUT, HOUSING SCREW (NYLON INSERT)	11	43	12-28565	WASHER, SEALING	45	46
11-52707A1	NUT, PROPELLER SHAFT	45	63	12-29245	WASHER, THROTTLE CONTROL ROD	13	34
11-52901	NUT, FLYWHEEL	7	1	12-29245	WASHER, HOLD DOWN STUD	33	19
11-64015	NUT, JAM-ADJUSTING SCREW	15	30	12-29245	WASHER, INLET SCREWS (1/4")	25	35
11-64015	NUT, SPARK ADVANCE STOP SCREW	13	7	12-29245	WASHER, INLET SCREWS (1/4")	31	24
11-64015	NUT, THROTTLE LEVER STOP SCREW	13	16	12-29245	WASHER, RUBBER MOUNT	27	46
11-68219	NUT, HOUSING SCREW	11	43	12-29245	WASHER, THROTTLE LINK SCREW	29	31
11-68219	NUT, LINK ROD	13	3	12-34567	WASHER, PLATE SCREW	49	8
11-68219	NUT, SOLENOID TERMINALS (10-32)	9	24	12-36042	WASHER, BRACKET STUD	35	10
11-72008	NUT, MOUNT	31	6	12-36042	WASHER, IGNITION PLATE SCREW	9	13
12-20028	WASHER, PLATE SCREW	17	25	12-38688	WASHER, SPECIAL (PROPELLER SHAFT)	45	51
12-20028	WASHER, REED BLOCK SCREW	17	23	12-39698	WASHER, PROPELLER SHAFT (PLAIN)	45	62
12-20128	WASHER	5	10	12-39701	WASHER, PROPELLER SHAFT (SPLINED)	45	61
12-20128	WASHER, CLEVIS PIN	3	18	12-45175	WASHER, BRACKET SCREW	15	35
12-20128	WASHER, RETAINER RIVET	3	9	12-45176	WASHER	37	37
12-20128	WASHER, YOKE RIVET	5	7	12-45176	WASHER, DRIVE SHAFT HOUSING STUD	43	42
12-20260	SEALING WASHER	47	5	12-47247	WASHER, NEEDLE LOCATING	23	15
12-20260	WASHER, SEALING - FILLER SCREW	43	39	12-47533	WASHER, SUBSTITUTE FOR THERMOSTAT	17	8
12-20670	WASHER, TEMPERATURE SENSOR SCREW	25	28	12-49221--1	WASHER, RUBBER	35	15
12-20670	WASHER, TEMPERATURE SENSOR SCREW	31	17	12-57238	WASHER, SHIELD RIVET	3	6
12-20959	WASHER	37	41	12-59378	WASHER	37	32
12-21273	WASHER, INDICATOR SCREW	31	12	12-67264	WASHER, IGNITION PLATE SCREW (RUBBER)	9	14
12-21273	WASHER, METAL	35	16	12-67264	WASHER, RUBBER	35	9
12-21273	WASHER, INDICATOR SCREW	25	23	12-68229	WASHER, FLYWHEEL	7	2
12-21631	WASHER, BELLCRANK STUD	29	24	12-68410	WASHER, SPARK ADVANCE LEVER	13	14
12-21631	WASHER, MOUNT	31	5	12-69056	WASHER, CLAMP SCREW	9	30
12-21631	WASHER, THROTTLE LINK	29	33	12-70833	WASHER	37	36
12-22753	WASHER (5/16")	47	14	12-71586	THRUST BEARING	37	12
12-22753	WASHER, ANCHOR BRACKET SCREW	13	26	12-90404	WASHER, CONCAVE	45	58
12-22753	WASHER, CRANKCASE SCREW	15	14	12-90405	WASHER, CONVEX	45	57
12-22753	WASHER, INLET SCREW	25	37				
12-22753	WASHER, INLET SCREW	31	26				

PARTS INDEX

Part Number	Description	Pg.	Ref. No.	Part Number	Description	Pg.	Ref. No.
12-92721	WASHER	37	17	15-38657A1	SHIM ASSEMBLY, DRIVE		
13-26992	LOCKWASHER	21	5		SHAFT BEARING	41	12
13-26992	LOCKWASHER, "J" CLIP			15-38668A1	SHIM ASSEMBLY, DRIVE		
	SCREW	25	31		SHAFT BEARING	41	16
13-26992	LOCKWASHER, "J" CLIP			15-67831A1	SHIM ASSEMBLY	37	21
	SCREW	31	20	15-71585A1	SHIM ASSEMBLY	37	13
13-26992	LOCKWASHER, BRACKET			16-14689	STUD, BELLCRANK	29	19
	SCREW	33	5	16-20990	STUD, WATER PUMP (1/4 X		
13-26992	LOCKWASHER, CLAMP				1-13/16)	41	6
	SCREW	9	28	16-21184	STUD, HOLD DOWN	33	18
13-26992	LOCKWASHER, CONTROL			16-30172	STUD, REV LIMITER	35	14
	VALVE SCREW	47	8	16-33778	STUD, WATER PUMP (1/4 X		
13-26992	LOCKWASHER, LOWER END				2-5/8)	41	7
	CAP SCREW	15	28	16-37653	STUD, POWERHEAD (2-		
13-26992	LOCKWASHER, MOUNTING				11/16")	15	2
	SCREW	47	19	16-46857	STUD, BRACKET TO		
13-26992	LOCKWASHER, SOLENOID				CYLINDER BLOCK		
	SCREW	47	24		(SHORT)	35	6
13-26992	LOCKWASHER, SOLENOID			16-57935	STUD, GEARCASE TO		
	TO IGNITION PLATE				DRIVE SHAFT HOUSING		
	SCREW	9	22		(7/16")	41	5
13-26992	LOCKWASHER, STARTER			17-12146	POP RIVET, RETAINER	3	8
	MOTOR TERMINAL	7	14	17-12146	RIVET, YOKE TO COWL	5	6
13-26993	LOCKWASHER, IGNITION			17-12147	POP RIVET, SHIELD	3	5
	PLATE SCREW	9	12	17-12147	RIVET, TRIM MOULDING	5	18
13-26993	LOCKWASHER, MOUNT			17-12148	RIVET, RETAINER	5	15
	SCREW	25	42	17-14908	RIVET, RETAINER	5	16
13-26993	LOCKWASHER, STARTER			17-20033	DOWEL PIN, LOCATING	15	3
	MOTOR COVER SCREW	15	8	17-24800	ROLL PIN, THROTTLE		
13-26995	LOCKWASHER,				SHAFT	25	7
	TEMPERATURE SENSOR			17-24800	ROLLPIN, THROTTLE SHAFT	29	5
	SCREW	25	27	17-29596	DOWEL PIN, WATER PUMP		
13-26995	LOCKWASHER,				BASE	41	26
	TEMPERATURE SENSOR			17-47175	LOCATING PIN, LEVER AND		
	SCREW	31	16		COVER FASTENING	13	29
13-26995	LOCKWASHER, THROTTLE			17-57629	RIVET, YOKE TO PAN	3	14
	LEVER SCREW	25	16	17-58712	CLEVIS PIN	5	9
13-26995	LOCKWASHER, THROTTLE			17-58712	CLEVIS PIN, HOLD DOWN	3	16
	LEVER SCREW	29	16	17-67296	DOWEL PIN, CYLINDER		
13-26996	LOCKWASHER (#10)	47	12		BLOCK (BEARING RACE)	15	4
13-26996	LOCKWASHER, GROUND			17-71592	TRIM PIN	37	31
	SCREW	35	12	17-71598	SWIVEL PIN	37	26
13-26996	LOCKWASHER, INDICATOR			17-85755	PIN	37	10
	SCREW	25	22	17-85993	DOWEL PIN	37	2
13-26996	LOCKWASHER, INDICATOR			17-99317	RIVET, AIR INLET	25	5
	SCREW	31	11	18-21071	COTTER PIN	5	11
13-26996	LOCKWASHER, STATOR			18-21071	COTTER PIN, CLEVIS PIN	3	17
	SCREW	7	8	18-21071	COTTER PIN, THROTTLE		
13-26996	LOCKWASHER, THROTTLE				CONTROL ROD	13	35
	SHUTTER SCREW	25	12	18-21071	COTTER PIN, THROTTLE		
13-26996	LOCKWASHER, THROTTLE				LINK	29	35
	SHUTTER SCREW	29	11	18-34212	COTTER PIN	37	33
13-29720	WAVE WASHER, THROTTLE			19-77633	LUBRICAP	37	25
	CONTROL ROD	13	33	21-42623	CHECK VALVE	25	4
13-29720	WAVE WASHER, THROTTLE			21-42623	CHECK VALVE, BLEED		
	LINK	29	34		HOSE (PRESS-IN-11/16"		
13-71580	LOCKWASHER	37	8	21-42657A1	LONG)	17	27
15-21158A1	SHIM ASSEMBLY	37	29	21-42658--1	CHECK VALVE ASSEMBLY	15	11
				21-44546	CHECK VALVE, BOTTOM	17	27
					PRESSURE RELIEF VALVE	41	4

PARTS INDEX

Part Number	Description	Pg.	Ref. No.	Part Number	Description	Pg.	Ref. No.
22-14685	PLUG, BOTTOM COWL	5	19	25-45711	"O" RING, TEMPERATURE		
22-23612	GREASE FITTING	37	24		SENSOR	25	25
22-32820	CONNECTOR, HOSE	21	11	25-45711	O RING, TEMPERATURE		
22-38407	PLUG, CYLINDER BLOCK				SENSOR	31	14
	(WATER JACKET)	15	23	25-48171	"O" RING, HYDRAULIC		
22-59169	TEE FITTING	25	32		PUMP	51	1
22-59169	TEE FITTING	29	36	25-48171	"O"RING, HYDRAULIC PUMP	47	2
22-62006	ELBOW	21	4	25-48171	,"O"RING (SAME AS		
22-67892	SCREW, FILLER	43	40		REF.NO.2)	47	-
22-68727	FITTING, ELBOW-WATER			25-54029	"O" RING, END CAP	15	16
	HOSES	17	12	25-62700	"O" RING, END CAP (3-1/4"		
22-68727	FITTING, WATER OUTLET .	19	10		I.D.)	15	25
22-68728	FITTING, THERMOSTAT			25-99123	GROMMET, HOLD DOWN . .	33	15
	COVER TO WATER			26-36557	SEAL, WATER INLET TUBE .	41	35
	HOSES	17	14	26-38970	SEAL, WATER TUBE	19	14
22-69393	FITTING, FUEL LINE (MALE)	21	13	26-41953	OIL SEAL, END CAP	15	20
22-69406	FITTING, FUEL LINE			26-41953	OIL SEAL, END CAP	15	26
	(FEMALE)	21	12	26-55905	OIL SEAL, WATER PUMP		
22-71191	ELBOW	25	3		BASE	41	25
22-71191	ELBOW	29	3	26-79884	OIL SEAL, WATER PUMP		
22-73379	PLUG BRASS	41	4		BODY	41	34
22-86987	PIPE PLUG, CYLINDER			26-94219	SEAL, FUEL INJECTOR	33	13
	BLOCK	35	5	26-96435	OIL SEAL, PROPELLER		
22-94273	FITTING	21	2		SHAFT	41	3
23-12245	BUSHING, THROTTLE			27-11338	GASKET, SEALING	15	5
	LEVER	29	14	27-12775	GASKET, REED BLOCK		
23-29804	SLEEVE, WATER TUBE				HOUSING	17	17
	GUIDE	41	37	27-14829	GASKET, CYLINDER HEAD .	17	2
23-38661	SPACER, PROPELLER			27-38659	GASKET, WATER PUMP		
	SHAFT GEAR	45	55	27-60926	BODY TO FACE PLATE . .	41	29
23-55164	BUSHING, THROTTLE				GASKET, WATER PUMP		
	LEVER	13	11	27-62386	BASE TO FACE PLATE . .	41	27
23-55171	BUSHING, SPARK ADVANCE			27-75909	GASKET, THERMOSTAT . . .	17	9
	LEVER	13	12	27-88907	GASKET, EXHAUST PLATE .	19	9
23-56774	SPACER, STARTER MOTOR	7	12		GASKET, RELIEF VALVE		
23-59386	SPACER, "O"RING - WATER				PLATE	19	8
	PUMP	41	22	27-90484	GASKET, DIVIDER PLATE . .	19	1
23-67023	BUSHING	49	4	27-96278	GASKET, CYLINDER COVER	17	6
23-67268	BUSHING, IGNITION PLATE			27-96281A1	GASKET SET	1	-
	SCREW	9	15	27-99316	GASKET, AIR INLET	25	1
23-67268	SPACER, BRACKET STUD .	35	8	27-99316	GASKET, AIR INLET	29	1
23-71583	SLEEVE (BOTTOM)	37	3	28-56654	KEY, WATER PUMP		
23-77743	SPACER (DISC)	37	9		IMPELLER	41	31
23-94453	BUSHING, SWITCH BOX			29-67483	NEEDLE BEARING, PISTON		
	SCREW	9	4		END	23	17
24-13554	SPRING, THROTTLE	29	7	30-41421	BALL BEARING ,		
24-20099	SPRING, CABLE LATCH TO				CRANKSHAFT (LOWER) .	23	2
	THROTTLE LEVER	13	20	31-31524	ROLLER BEARING, DRIVE		
24-48917	SPRING, DETENT	37	19		SHAFT	41	8
24-68784	SPRING, THROTTLE AND			31-32575A1	BEARING ASSEMBLY,		
	SPARK ADVANCE LEVER	13	13		PROPELLER SHAFT		
24-91821	SPRING, THROTTLE			31-38678A1	(REAR)	45	53
	RETURN	13	36		BEARING ASSEMBLY, DRIVE		
24-98894	SPRING, THROTTLE	25	8	31-38678A1	SHAFT (LOWER)	41	13
25-26855	"O"RING	45	60	31-38678A1	BEARING ASSEMBLY, DRIVE		
25-30271	RING, RUBBER	41	36	31-38680A1	SHAFT (UPPER)	41	20
25-32069	"O"RING, WATER PUMP				BEARING ASSEMBLY, DRIVE		
	BASE TO GEARCASE			31-38681A1	SHAFT (LOWER)	41	18
	(LARGE)	41	21		BEARING ASSEMBLY, DRIVE		
					SHAFT (UPPER)	41	15

PARTS INDEX

Part Number	Description	Pg.	Ref. No.	Part Number	Description	Pg.	Ref. No.
31-67445	ROLLER BEARING, RACE	23	9	54-13637	CLAMP, HARNESS	9	31
31-67526A1	ROLLER BEARING ASSEMBLY	23	16	54-54428	CLAMP, FUEL HOSE	33	22
31-70087A1	BEARING ASSEMBLY, PROPELLER SHAFT (FRONT)	45	56	54-54457	"J" CLIP, ANCHOR BRACKET SCREW	13	32
31-74248	ROLLER BEARING, END CAP	15	17	54-54457	"J" CLIP, INJECTOR HARNESS SUPPORT	25	29
31-87013	ROLLER BEARING, PROPELLER SHAFT	41	2	54-75275	CLAMP, THROTTLE RETURN SPRING	13	37
31-88903	BEARING RACE, CRANKSHAFT	23	7	54-92850	"J" CLIP, INJECTOR HARNESS SUPPORT	31	18
32-11635	TUBE, WATER BLOCKOFF	15	32	61-41327A4	CYLINDER BLOCK & CRANKCASE ASSEMBLY	15	1
32-57456	WATER TUBE	41	38	84-60466A10	WIRE ASSEMBLY (BLACK)	11	47
32-61649--3	HOSE, FUEL	33	21	84-60871A10	WIRE, SWITCH BOX	9	7
32-61649--3	HOSE, WATER DISTRIBUTION	17	13	84-61393A8	WIRE ASSEMBLY, SWITCH TO SWITCH	9	36
32-61649--3	WATER HOSE	19	11	84-61703A4	HARNESS ASSEMBLY, TRIM SWITCH	47	27
32-66285--4	HOSE, FUEL	25	38	84-62189A1	WIRE, TERMINAL BLOCK TO SWITCH BOX (SALMON)	11	49
32-66285--4	HOSE, FUEL	29	37	84-62310A2	CABLE ASSEMBLY, SWITCH BOX TO SWITCH BOX	9	5
32-66285--4	HOSE, FUEL	33	12	84-62824A1	CABLE, SOLENOID TO RECTIFIER (RED)	11	48
32-66285--4	HOSE, PULSE	17	26	84-65999A10	CABLE ASSEMBLY (BLACK - LONG)	47	29
32-67033	TRIM HOSE (8')	39	44	84-65999A10	CABLE ASSEMBLY (BLACK)	27	45
32-70069	TRIM HOSE (18")	39	44	84-65999A10	CABLE ASSEMBLY (BLACK)	31	3
32-77690	WRAPPING (1/4")	9	26	84-65999A2	CABLE ASSEMBLY, UPPER MOUNT (BLACK)	9	23
32-99387-79	HOSE	21	8	84-65999A3	CABLE ASSEMBLY, BLACK	9	10
33-97180	SPARK PLUG (NGK-BUHW)	7	27	84-65999A4	CABLE ASSEMBLY (BLACK - SHORT)	47	29
34-93228A1	REED ASSEMBLY	17	19	84-65999A6	JUMPER WIRE, SOLENOID (RED)	47	31
35-94865	FUEL FILTER	21	3	84-69738A1	HARNESS ASSEMBLY, COIL TO SWITCH BOX (#2, 4 AND 6)	7	28
37-13813A2	DECAL SET	5	12	84-69739A2	HARNESS ASSEMBLY, COIL TO SWITCH BOX (#1, 3 AND 5)	7	28
37-91879A1	DECAL SET	3	11	84-74023A1	CONNECTOR AND HARNESS (W/O FUSE)	47	9
39-67377	RING, SEALING - CRANKSHAFT (.124 THICK)	23	6	84-79138A1	BATTERY LEAD (NEGATIVE)	47	32
39-99283A12	PISTON RING ASSEMBLY	23	11	84-79139A2	JUMPER WIRE, SOLENOID (RED)	47	30
40-52035	LOCK RING, PISTON	23	12	84-79139A9	BATTERY LEAD (POSITIVE)	47	32
43-60928	GEAR, HELICAL (DRIVE SHAFT)	41	14	84-79147A1	JUMPER WIRE (RED)	47	35
43-60929	GEAR, HELICAL (DRIVE SHAFT)	41	19	84-79147A3	CONNECTOR AND HARNESS (WITH FUSE)	47	9
43-62943A1	PINION GEAR (14 TOOTH)	41	10	84-88439A14	BATTERY CABLE (POSITIVE)	9	19
43-71584	WORM	37	15	84-88439A2	BATTERY CABLE (NEGATIVE)	9	19
43-71601	WORM GEAR	37	14	84-88807A6	GROUND STRAP, IGNITION COIL (BLACK)	7	23
44-78432	PROPELLER SHAFT	45	50	84-93388A1	WIRE, PLATE TO STARTER MOTOR (BLACK)	7	18
45-87014	DRIVE SHAFT, FRONT	41	17	84-93389A5	WIRE, SOLENOID TO STARTER MOTOR (YELLOW)	7	16
45-87015	DRIVE SHAFT, REAR	41	11				
46-38631A1	WATER PUMP BASE ASSEMBLY	41	24				
46-70090A1	WATER PUMP BODY ASSEMBLY	41	32				
47-89984	IMPELLER, WATER PUMP	41	30				
50-60594A1	STARTER MOTOR	7	10				
53-28562	SNAP RING	45	47				
53-28576	NUT, BEARING RETAINER	45	44				
53-67444	RETAINING RING, BEARING RACE	23	8				
53-67446	RETAINING RING, BALL BEARING	23	3				
54-12240	CLAMP, SHUTTER SHAFT RETAINING	29	8				

PARTS INDEX

Part Number	Description	Pg.	Ref. No.	Part Number	Description	Pg.	Ref. No.
84-93940A1	HARNESS ASSEMBLY, IGNITION PANEL	9	37	1581-7320A9	DRIVE SHAFT HOUSING ASSEMBLY	37	1
84-98866A1	HARNESS ASSEMBLY, E.F.I.	25	43	1657-7461A1	GEARCASE HOUSING ASSEMBLY	41	1
84-98866A4	HARNESS ASSEMBLY, E.F.I.	31	2	1657-7461A1	GEARCASE HOUSING ASSEMBLY	45	1
84-99215A25	CABLE, HIGH TENSION	7	25	1657-7461A11	GEAR HOUSING ASSEMBLY, COMPLETE	41	-
85-63709A1	PROTECTOR, HIGH TENSION CABLE	7	26	1657-7461A11	GEAR HOUSING ASSEMBLY, COMPLETE	45	-
86-66986	TERMINAL BLOCK	11	44	2167-6539A7	TOP COWL ASSEMBLY	3	1
87-61691	ROCKER SWITCH	47	28	2167-9442A5	TOP COWL ASSEMBLY	5	1
87-66581	SWITCH, IGNITION	9	35				
87-66582	SWITCH, STARTER AND PRIMER	9	34				
88-79023A90	FUSE ASSEMBLY (90 AMP)	47	33				
88-79137--1	CIRCUIT BREAKER	47	34				
89-68258A4	STARTER SOLENOID	9	20				
89-68258A4	STARTER SOLENOID	47	11				
90-12770	OWNER'S GUIDE	1	-				
90-14421	PARTS MANUEL	1	-				
249-6080A6	FLYWHEEL ASSEMBLY, COMPLETE	7	3				
332-7778A4	SWITCH BOX	9	2				
339-7370A13	COIL ASSEMBLY, IGNITION	7	19				
392-2529	SPRING SET, BRUSH TENSION	51	13				
392-2941	BRUSH SET, COMMUTATOR END PLATE	51	12				
392-7727	COUPLER AND SHAFT	51	15				
392-7728	FILL PLUG, RESERVOIR ...	51	16				
392-7729	ARMATURE, FIELD AND FRAME	51	8				
392-7730	BALL, COMMUTATOR END PLATE	51	10				
392-7731	RESERVOIR ASSEMBLY (PLASTIC)	51	6				
392-7732	WASHER, THRUST- ARMATURE	51	7				
392-7733	BOLT SET, THRU-PLATE AND FRAME TO RESERVOIR	51	14				
392-7735	SEAL, RESERVOIR TO VALVE BODY AND GEAR	51	5				
392-8261	FIELD AND FRAME ASSEMBLY	51	9				
392-8262	PLATE ASSEMBLY, COMMUTATOR END	51	11				
392-8317	VALVE BODY AND GEAR ASSEMBLY	51	2				
398-5454A55	STATOR ASSEMBLY	7	6				
455-7251A7	CRANKSHAFT ASSEMBLY (STANDARD)	23	1				
455-8280A1	CRANKSHAFT ASSEMBLY (WEIGHTED)	23	1				
625-7209A6	CONNECTING ROD ASSEMBLY	23	13				
765-8684A4	PISTON ASSEMBLY (PORT)	23	10				
765-8685A4	PISTON ASSEMBLY (STARBOARD)	23	10				
1156-8120A1	END CAP ASSEMBLY, LOWER	15	24				