



PARTS CATALOG

575 H.P. ENGINE (CARD 54)

SERIAL NUMBER

575 GM 540 V-8 1986-19920A677429 THRU 0D763716

REPLACEMENT PARTS ! WARNING !

Electrical, ignition and fuel system components on MerCruiser Engines and Stern Drives are designed and manufactured to comply with U.S. Coast Guard Rules and Regulations to minimize risks of fire or explosion. Use of replacement electrical, ignition or fuel system components, which do not comply to these rules and regulations, could result in a fire or explosion hazard and should be voided.

When servicing the electrical, ignition and fuel systems, it is extremely important that all components are properly installed and tightened. If not, any electrical or ignition component opening would permit sparks to ignite fuel vapors from fuel system leaks, if they existed.

ENGINE MECHANICAL COMPONENTS

Many of the engine mechanical components are designed for marine applications. Unlike automotive engines, marine engines are subjected to extended periods of heavy load and wide- open-throttle operation, therefore, require heavy-duty components. Special marine engine parts have design and manufacturing specifications, which are required to provide long life and dependable performance. Marine engine parts also must be able to resist the corrosive action of salt or brackish water that will rust or corrode standard automotive parts within a short period of time.

Failure to use recommended Mercury Precision Parts OR Quicksilver service replacement parts can result in poor engine performance and/or durability, rapid corrosion of parts subjected to salt water and possibly complete failure of the engine.

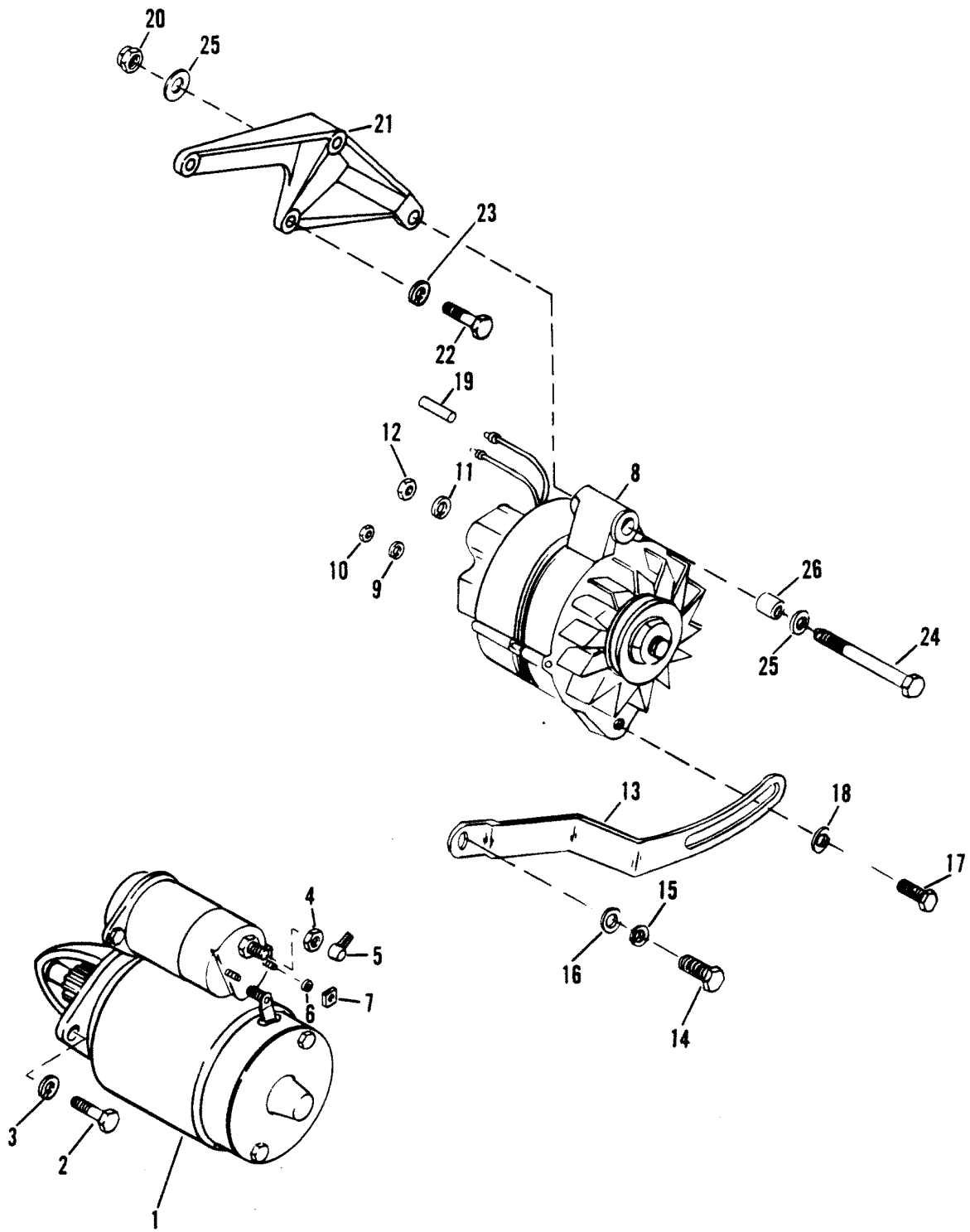
Use of parts other than recommended service replacement parts will void the warranty on those parts which are damaged as a result of the use of other than recommended parts.

MISCELLANEOUS PARTS/ACCESSORIES

REF. NO.	PART NO.	SYM.	QTY.	DESCRIPTION
-	90-15785		0	PARTS MANUAL
-	90-813507890		0	OWNER'S GUIDE

THIS PAGE INTENTIONALLY LEFT BLANK

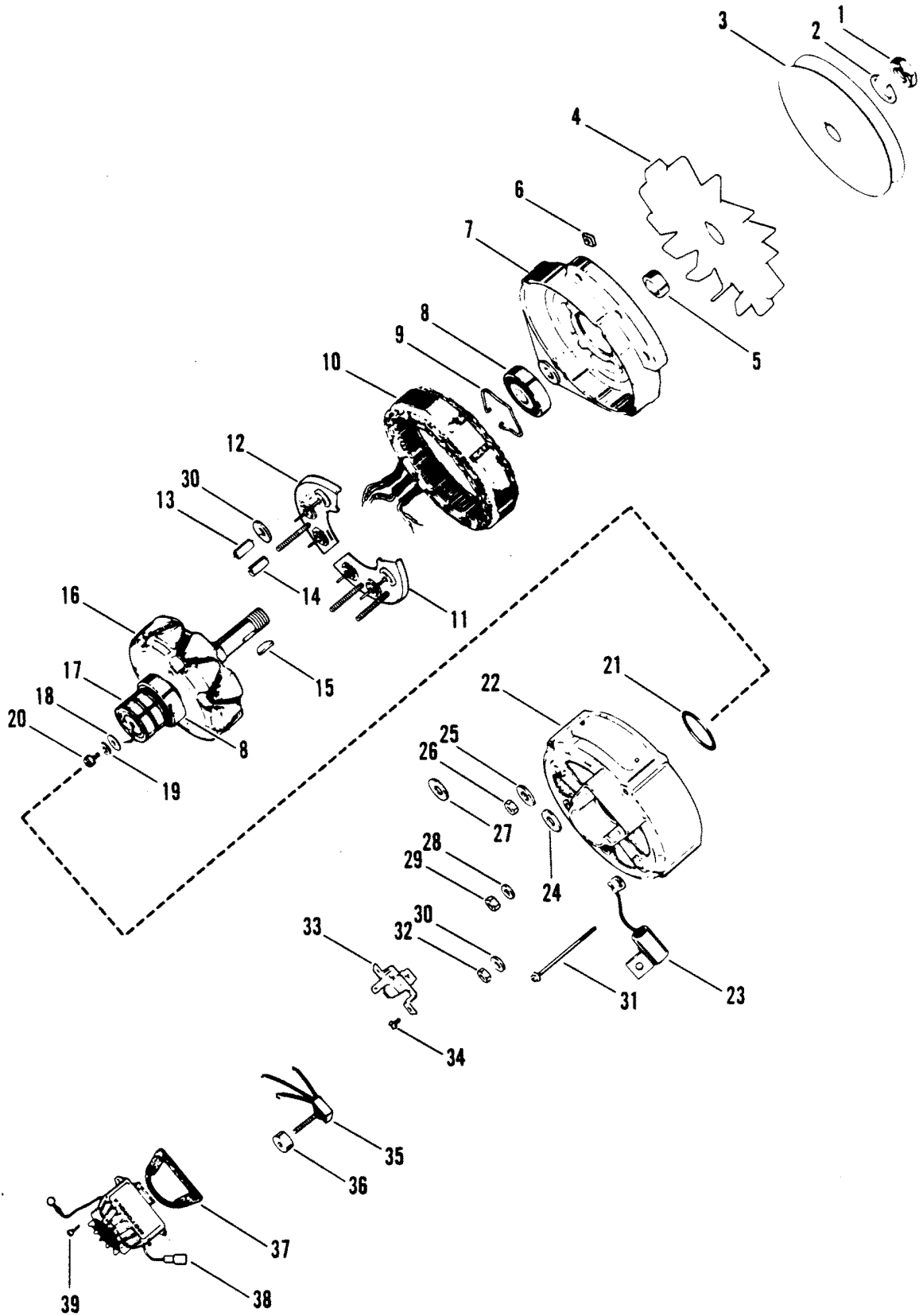
STARTER AND ALTERNATOR



STARTER AND ALTERNATOR

REF. NO.	PART NO.	SYM.	QTY.	DESCRIPTION
1	50-17251A3		1	STARTER MOTOR
2	10-47461		2	SCREW, STARTER MOTOR
3	13-32993		2	LOCKWASHER, STARTER MOTOR SCREW
4	11-86226		OPT.	NUT, STARTER TERMINAL (3/8-16)
	11-40026--6		OPT.	NUT, STARTER TERMINAL (10MM)
5	85-79695		1	BOOT, INSULATOR - STARTER TERMINAL
6	13-26995		1	LOCKWASHER, STARTER TERMINAL #8-32 NUT
7	11-26419		1	NUT, STARTER TERMINAL #8-32 NUT
6	13-26996		1	LOCKWASHER, STARTER TERMINAL 5MM NUT
7	11-40021--1		1	NUT, STARTER TERMINAL 5MM NUT
8	92497A3		1	ALTERNATOR
9	13-26996		1	LOCKWASHER, ALTERNATOR TERMINAL
10	11-30968		1	NUT, ALTERNATOR TERMINAL (10-24)
11	13-21272		1	LOCKWASHER, ALTERNATOR TERMINAL
12	11-64015		1	NUT, ALTERNATOR TERMINAL (1/4-20)
13	85013		1	BRACE, ALTERNATOR ADJUSTING
14	10-47461		1	SCREW, ALTERNATOR BRACE (1")
15	13-32993		1	LOCKWASHER, ALTERNATOR BRACE SCREW
16	12-27025		1	WASHER, ALTERNATOR BRACE SCREW
17	10-29198		1	SCREW, ALTERNATOR BRACE (7/8")
18	12-26168		1	WASHER, ALTERNATOR BRACE SCREW
19	57908-11		1	TUBING, ALTERNATOR LEADS
20	11-23161		1	NUT, ALTERNATOR BRACKET SCREW
21	47487A2		1	BRACKET, ALTERNATOR
22	10-34353		2	SCREW, ALTERNATOR BRACKET (1")
	10-64900		1	SCREW, ALTERNATOR BRACKET (2")
23	13-35048		3	LOCKWASHER, ALTERNATOR BRACKET SCREW
24	10-48308		1	SCREW, ALTERNATOR (3-3/4")
25	12-25970		3	WASHER, ALTERNATOR BRACKET SCREW
26	23-33186		1	BUSHING, ALTERNATOR BRACKET SCREW

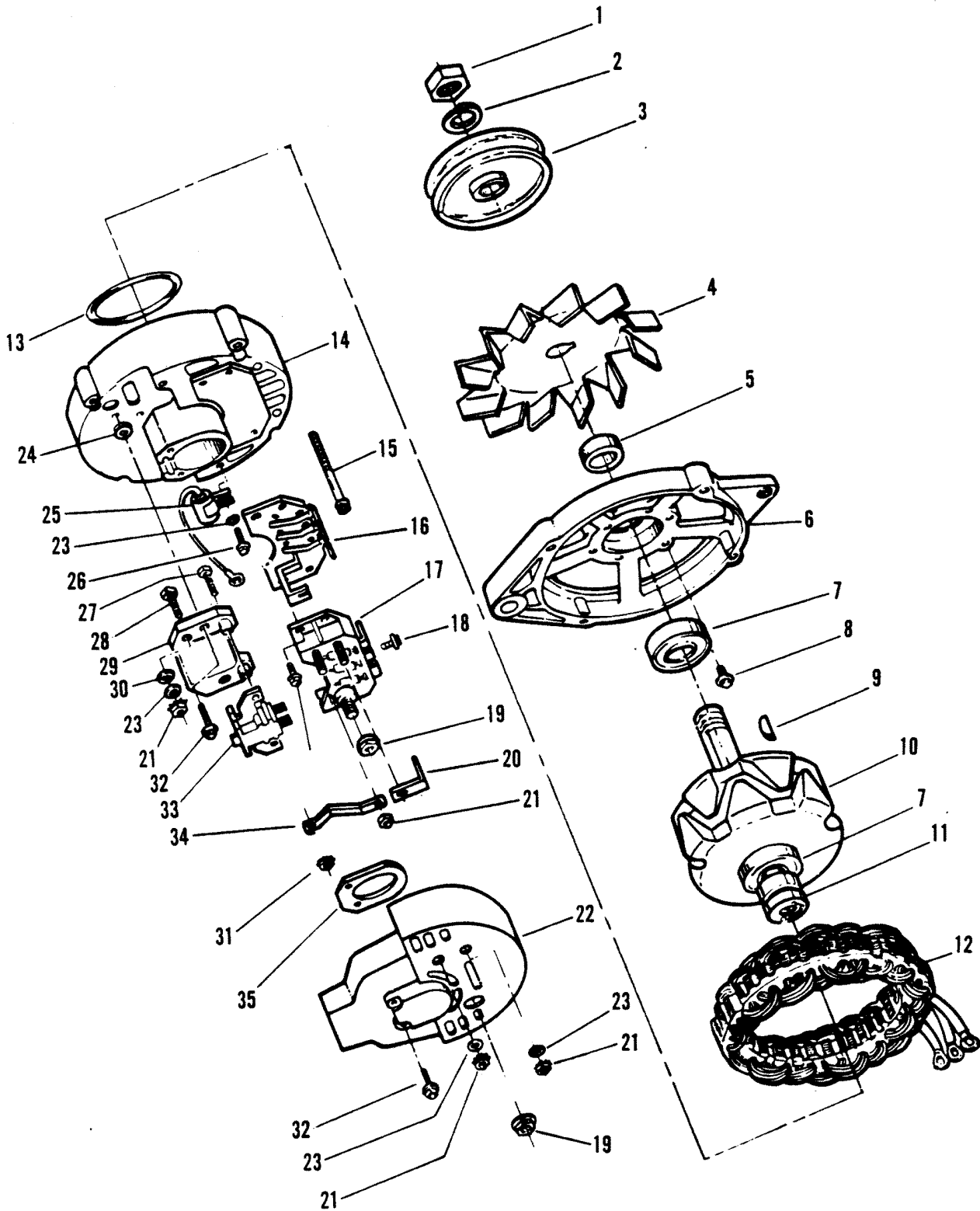
ALTERNATOR (55 AMP) - MOTOROLA #8MR2039K



ALTERNATOR (55 AMP) - MOTOROLA #8MR2039K

REF. NO.	PART NO.	SYM.	QTY.	DESCRIPTION
-	92497A3		1	ALTERNATOR ASSEMBLY (55 AMP)
1	390-7027		1	NUT, FAN AND PULLEY TO ROTOR
2	390-7033		1	LOCKWASHER, FAN AND PULLEY NUT
3	93936		1	PULLEY, DRIVE END FRAME
4	390-7004		1	FAN, DRIVE END FRAME
5	390-7012		1	SPACER, FAN TO DRIVE END FRAME
6	390-7028		4	NUT, THRU BOLT ATTACHING
7	390-7000		1	COVER ASSEMBLY, FRONT
8	390-7005		2	BALL BEARING, DRIVE END
9	390-7006		1	RETAINER, DRIVE END BALL BEARING
10	390-8636		1	STATOR ASSEMBLY
11	390-7009		1	DIODE RECTIFIER, NEGATIVE
12	390-7010		1	HEAT SINK, POSITIVE
13	390-7020		1	SLEEVE, INSULATOR
14	390-7018		1	SLEEVE, INSULATOR
15	390-7034		1	KEY, ROTOR
16	390-8635		1	ROTOR ASSEMBLY
17	390-7014		1	SLIP RING
18	390-7206		1	WASHER, ROTOR SCREW
19	390-7207		1	LOCKWASHER, ROTOR SCREW
20	390-7029		1	SCREW, ROTOR SHAFT (5/8")
21	390-7007		1	RETAINER, ROTOR SHAFT BEARING
22	390-7003		1	COVER ASSEMBLY, REAR
23	390-7035		1	CONDENSOR
24	390-7023		1	WASHER, REGULATOR TERMINAL STUD
25	390-7024		1	WASHER, CONDENSOR TERMINAL STUD
26	390-7025		1	NUT, TERMINAL STUD
27	390-7208		1	WASHER, TERMINAL STUD
28	390-7032		2	LOCKWASHER, TERMINAL STUD
29	390-7026		1	NUT, TERMINAL ATTACHING
30	390-7022		1	WASHER, CONDENSOR TERMINAL STUD
31	390-8638		4	THRU BOLT
32	390-7021		1	NUT, CONDENSOR TERMINAL ATTACHING
33	390-7011		1	BRUSH HOLDER ASSEMBLY
34	390-7030		2	SCREW, BRUSH HOLDER (1/2")
35	390-7008		1	DIODE TRIO
36	390-7019		1	SPACER, DIODE TRIO
37	390-7013		1	GASKET, VOLTAGE REGULATOR
38	390-7036		1	VOLTAGE REGULATOR
39	390-7015		4	SCREW, VOLTAGE REGULATOR ATTACHING

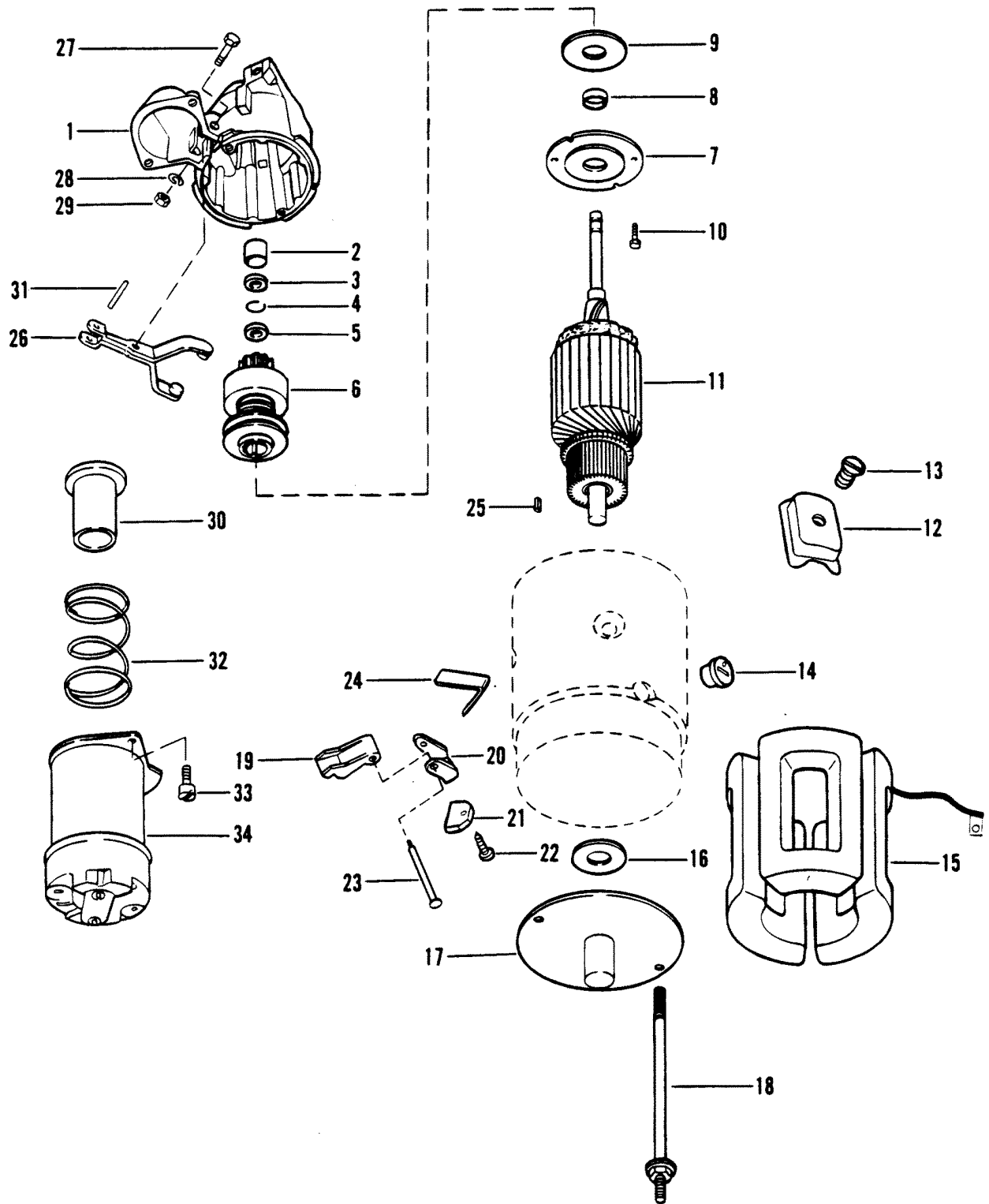
ALTERNATOR (MOTOROLA #8EM2003KA)



ALTERNATOR (MOTOROLA #8EM2003KA)

REF. NO.	PART NO.	SYM.	QTY.	DESCRIPTION
-	92497A3		1	ALTERNATOR ASSEMBLY (55 AMP)
1	390-7027		1	NUT
2	390-7033		1	LOCKWASHER
3	93936		1	PULLEY
4	390-7004		1	FAN
5	813969		1	SPACER
6	813961		1	HOUSING, FRONT
7	390-7005		2	BALL BEARING
8	10-813978		4	SCREW
9	390-7034		1	KEY
10	813962		1	ROTOR
11	390-7014		1	SLIP RING
12	813963		1	STATOR
13	390-7007		1	RETAINER
14	813964		1	HOUSING, REAR
15	10-813975		4	THRU BOLT
16	813966		1	DIODE BRIDGE
17	813965		1	DIODE FIELD
18	10-813981		3	SCREW
19	11-813976		2	NUT
20	813973		1	STRAP
21	390-7021		5	NUT
22	813971		1	COVER
23	12-813984		5	WASHER
24	390-7022		2	WASHER
25	813972		1	CAPACITOR
26	10-813982		1	SCREW
27	10-813979		2	SCREW
28	10-813983		2	SCREW
29	813974		1	VOLTAGE REGULATOR
30	12-813985		2	WASHER
31	11-813977		2	NUT
32	10-813980		8	SCREW
33	813968		1	BRUSH ASSEMBLY
34	813967		1	STRAP (D+)
35	27-813970		1	GASKET

STARTER MOTOR

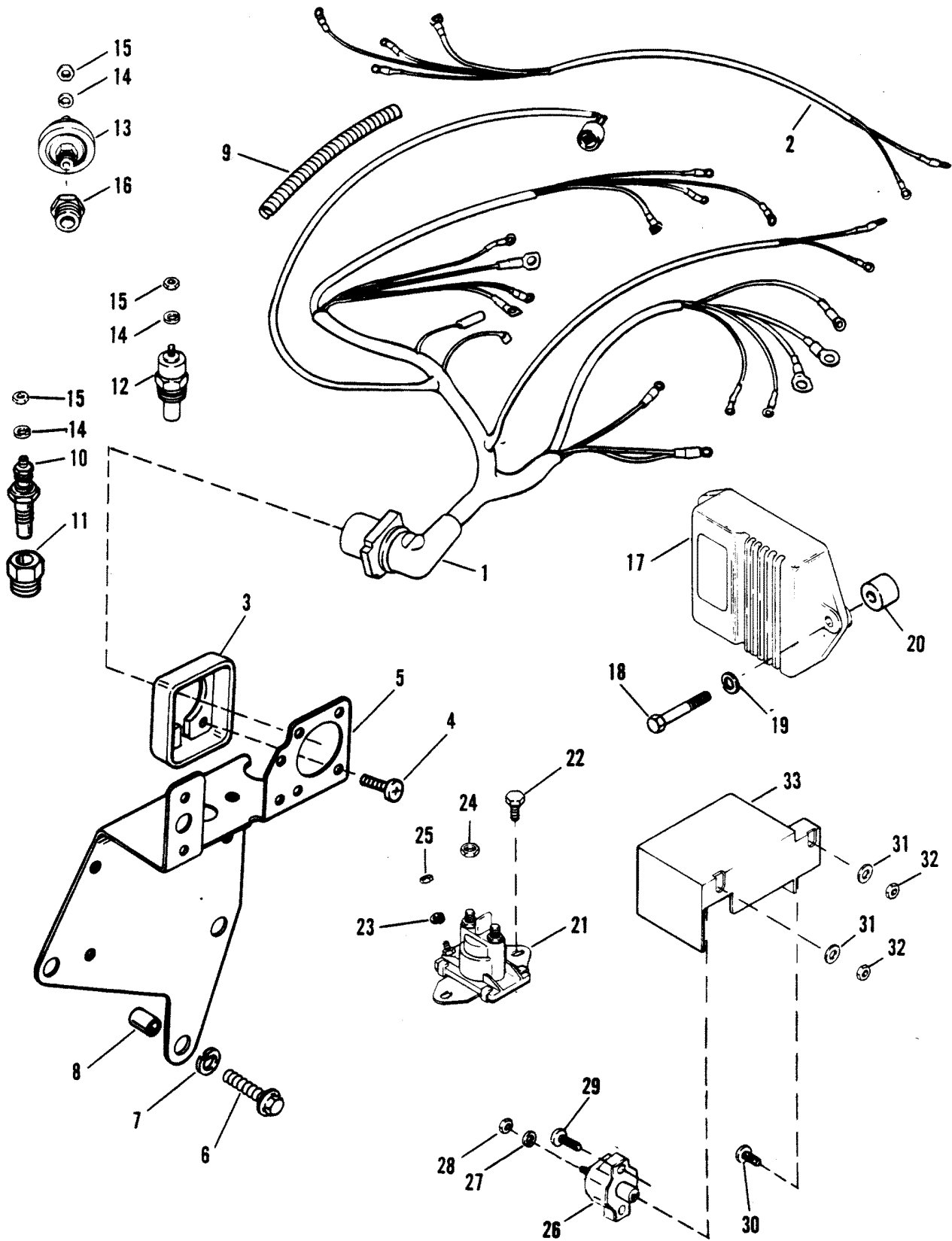


STARTER MOTOR

REF. NO.	PART NO.	SYM.	QTY.	DESCRIPTION
-	50-17251A3		1	STARTER MOTOR ASSEMBLY
1	79206		1	HOUSING, DRIVE END
2	23-33369		1	BUSHING, DRIVE END HOUSING
3	33292		1	COLLAR, THRUST
4	53-33290		1	RING, RETAINING - PINION STOP COLLAR
5	33291		1	COLLAR, PINION STOP
6	68608		1	DRIVE ASSEMBLY, CLUTCH
7	79396		1	PLATE, BEARING
8	23-71694		1	BUSHING, BEARING PLATE
9	12-68614		1	WASHER, BEARING PLATE
10	10-79209		2	SCREW, BEARING PLATE
11	68606		1	ARMATURE
12	N.S.S.	◇	4	SHOE, POLE - FIELD COIL (DELCO REMY #810601)
13	N.S.S.	◇	4	SCREW, POLE SHOE TO FIELD COIL (DELCO REMY #1968396)
14	N.S.S.	◇	1	GROMMET, FIELD COIL (DELCO REMY #1846097)
15	N.S.S.	◇	1	FIELD COIL ASSEMBLY (DELCO REMY #1970467)
16	N.S.S.	◇	1	WASHER, LEATHER (DELCO REMY #1985617)
17	79211		1	FRAME, COMMUTATOR END - LOWER
18	N.S.S.	◇	2	BOLT, THRU (DELCO REMY #1939970)
19	33284		2	HOLDER, INSULTATED - FIELD FRAME BRUSH
20	33283		2	HOLDER, FIELD FRAME BRUSH GROUND
21	33270		4	BRUSH, FIELD FRAME
22	N.S.S.	◇	2	SCREW, BRUSH LEAD (DELCO REMY #1967747)
	N.S.S.	◇	2	SCREW, BRUSH LEAD (DELCO REMY #443527)
23	33294		2	SUPPORT PACKAGE GROUND AND INSULATED HOLDERS
24	24-33285		4	SPRING, FIELD FRAME BRUSH
25	N.S.S.	◇	1	PIN, DOWEL - FIELD FRAME (DELCO REMY #1985696)
26	33297		1	LEVER, SHIFT
27	N.S.S.	◇	1	STUD, SHIFT LEVER (DELCO REMY #1814529)
28	12-68615		1	WASHER, SHIFT LEVER STUD
29	11-26484		1	NUT, SHIFT LEVER STUD
30	33317		1	PLUNGER, SHIFT LEVER
31	17-79207		1	PIN, PLUNGER TO SHIFT LEVER
32	24-46889		1	SPRING, PLUNGER RETURN
33	N.S.S.	◇	2	SCREW, SOLENOID SWITCH (DELCO REMY #132255)
34	13037		1	SOLENOID SWITCH (4-1/4" LONG)
	89-18080		1	SOLENOID SWITCH (3-5/8" LONG)

◇ = N.S.S (NOT SOLD SEPERATELY) ORDER FROM A LOCAL SUPPLIER USING THE APPROPRIATE MANUFACT. I

WIRING HARNESS, ELECTRICAL AND IGNITION



WIRING HARNESS, ELECTRICAL AND IGNITION

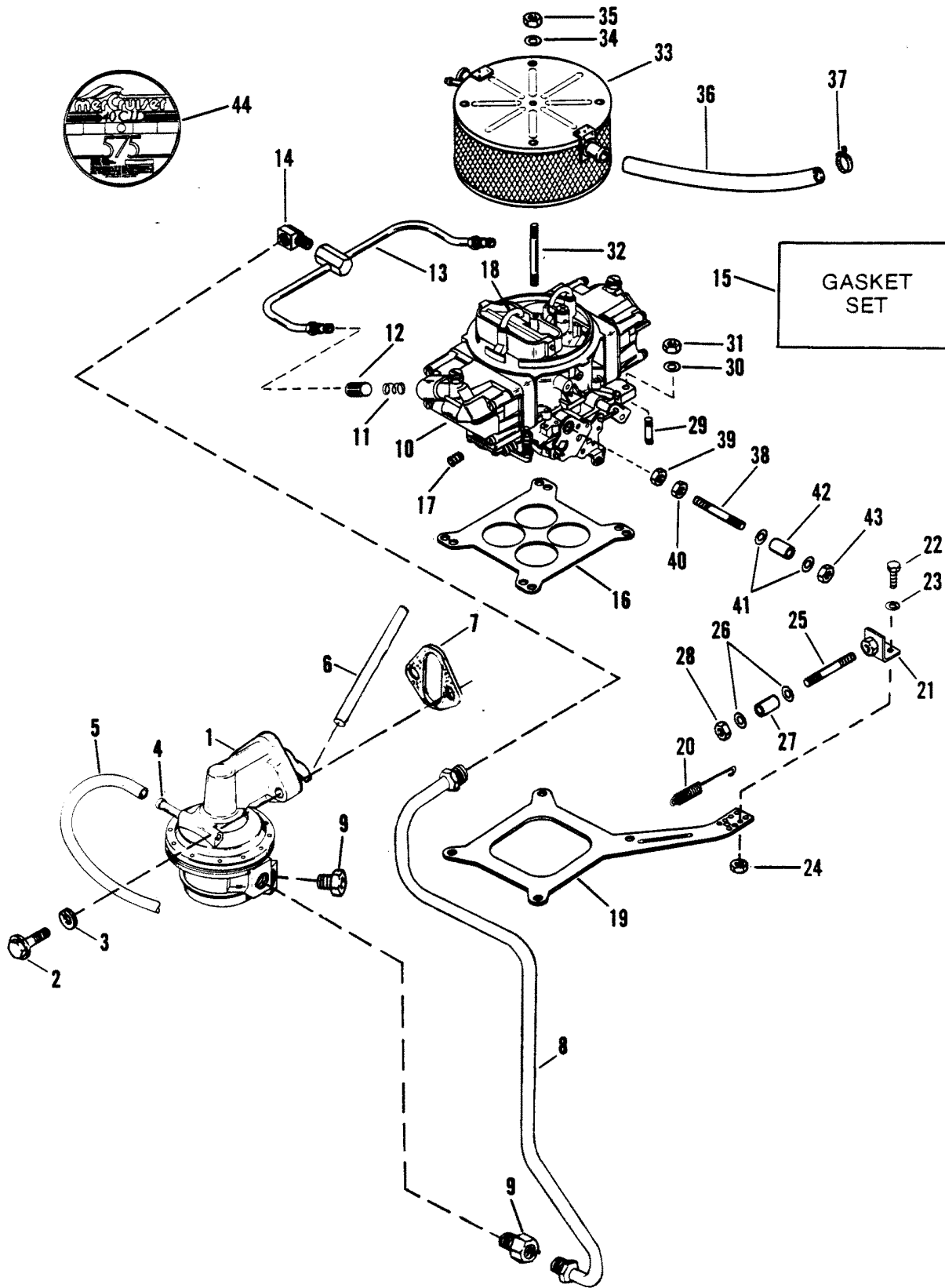
REF. NO.	PART NO.	SYM.	QTY.	DESCRIPTION
1	84-14338A1		1	WIRING HARNESS
2	84-14337A1		1	WIRING HARNESS
3	26079A2		1	PLATE, WIRING HARNESS TO MOUNTING BRACKET
4	10-34696		4	SCREW, USE WITH METAL PLATE
	10-15001		4	SCREW, USE WITH PLASTIC PLATE
5	14037		1	BRACKET, MOUNTING
6	10-37612		3	SCREW, BRACKET
7	13-35048		3	LOCKWASHER, BRACKET SCREW
8	23-90523		3	SPACER, BRACKET SCREW
9	32-77690		1	WRAPPING, PLASTIC (1/4" DIA)
10	13611		1	OIL TEMPERATURE SENDER
11	22-36492		1	BUSHING, REDUCER
12	97257A1		1	WATER TEMPERATURE SENDER
	49734A1		OPT.	WATER TEMPERATURE SENDER (DUAL)
13	90806		1	OIL PRESSURE SENDER
	37293		OPT.	OIL PRESSURE SENDER (DUAL)
14	13-26996		3	LOCKWASHER, SENDER TERMINAL (#10)
15	11-68219		3	NUT, SENDER TERMINAL (#10)
16	22-64013		1	REDUCER, OIL PRESSURE SENDER
17	17316A1		1	IGNITION AMPLIFIER (W/HARNESS 84-15275A1)
18	10-76630		3	SCREW, IGNITION AMPLIFIER
19	13-26992		3	LOCKWASHER, IGNITION AMPLIFIER SCREW
20	23-92152		3	SPACER, IGNITION AMPLIFIER SCREW
21	89-96054		1	STARTER SOLENOID
22	10-98253		2	SCREW, STARTER SOLENOID
23	13-26992		2	LOCKWASHER, STARTER SOLENOID TERMINAL
24	11-94330		2	NUT, STARTER SOLENOID TERMINAL (1/4-20)
25	11-26419		2	NUT, STARTER SOLENOID TERMINAL (10-32)
26	88-11178		1	CIRCUIT BREAKER (50 AMP)
27	13-26996		2	LOCKWASHER, CIRCUIT BREAKER TERMINAL
28	11-68219		2	NUT, CIRCUIT BREAKER TERMINAL
29	10-45862		2	SCREW, CIRCUIT BREAKER (7/8")
30	10-71405		1	SCREW, INSULATOR (7/16")
31	12-56681		2	WASHER, CIRCUIT BREAKER SCREW
32	11-46438		2	NUT, INSULATOR SCREW
33	85-96819T		1	INSULATOR, CIRCUIT BREAKER

DISTRIBUTOR AND IGNITION COMPONENTS

REF. NO.	PART NO.	SYM.	QTY.	DESCRIPTION
1	13497A3		1	DISTRIBUTOR ASSEMBLY
2	16457A4		1	CAP, DISTRIBUTOR
3	10-90926		4	SCREW, DISTRIBUTOR CAP
4	27-98242	■	1	GASKET, DISTRIBUTOR CAP
5	13524A3		1	ROTOR
6	42862		1	SENSOR WHEEL
7	10-11252		3	SCREW, SENSOR WHEEL
8	87-91019A3		1	SENSOR ASSEMBLY
9	10-66686		1	SCREW, SENSOR
10	13-26996		3	LOCKWASHER, SENSOR SCREW
11	43-813776--1		1	GEAR, DRIVE
12	84-86322A17		1	CABLE ASSEMBLY (BLACK)
13	10-72202		1	SCREW, CABLE
14	11-68219		1	NUT, CABLE SCREW
15	27-34486--1	■	1	GASKET, DISTRIBUTOR
16	52185		1	CLAMP, DISTRIBUTOR TO INTAKE MANIFOLD
17	10-34353		1	SCREW, DISTRIBUTOR CLAMP (1")
18	13-35048		1	LOCKWASHER, CLAMP SCREW
19	12-20553		1	WASHER, CLAMP SCREW
21	13-26996		2	LOCKWASHER, DISTRIBUTOR TERMINAL
22	11-68219		2	NUT, DISTRIBUTOR TERMINAL (10-32)
23	12-30164		2	WASHER, DISTRIBUTOR TERMINAL
24	84-813720A2		1	SPARK PLUG WIRE KIT
25	85-63709A1		8	BOOT ASSEMBLY, SPARK PLUG
26	33-59660		8	SPARK PLUG
27	54676		2	RETAINER, HIGH TENSION LEADS (2 WIRE)
28	32783		2	RETAINER, HIGH TENSION LEADS (3 WIRE)
29	32784		4	RETAINER, HIGH TENSION LEADS (4 WIRE)
30	392-7803A4		1	COIL, IGNITION
31	77294		1	BRACKET, IGNITION COIL
32	10-41408		1	SCREW, BRACKET (1-1/2")
33	13-26996		2	LOCKWASHER, IGNITION COIL TERMINAL
34	11-68219		2	NUT, IGNITION COIL TERMINAL (#10-32)
35	10-86750		2	SCREW, IGNITION COIL (3/4")
36	13-26993		2	LOCKWASHER, IGNITION COIL SCREW
37	12-20084		2	WASHER, IGNITION COIL SCREW

■ = PART OF GASKET SET, COMPLETE [27-13217A1]

FUEL PUMP, CARBURETOR AND LINKAGE



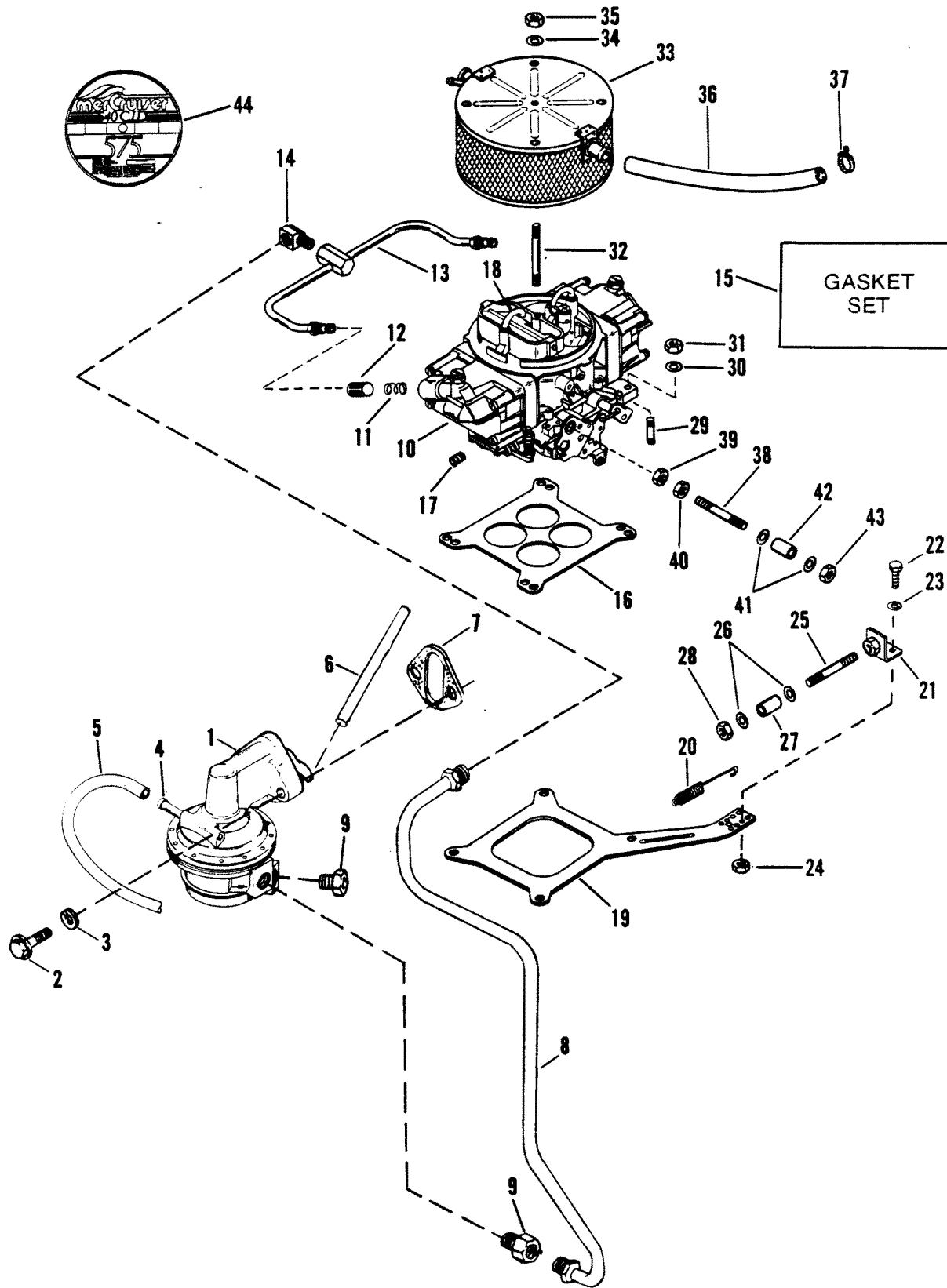
FUEL PUMP, CARBURETOR AND LINKAGE

REF. NO.	PART NO.	SYM.	QTY.	DESCRIPTION
1	92864		1	FUEL PUMP
2	10-37612		2	SCREW, FUEL PUMP (1-1/4")
3	13-35048		2	LOCKWASHER, FUEL PUMP SCREW
4	22-85822		1	CONNECTOR, FUEL PUMP
5	32-93370-70		1	SIGHT TUBE
6	35377		1	ROD, FUEL PUMP
7	27-34213	■	1	GASKET, FUEL PUMP
8	32-93557		1	FUEL LINE, FUEL PUMP TO CARBURETOR
9	22-33821		2	FITTING, FUEL LINE TO FUEL PUMP
10	12377A2		1	CARBURETOR
11	24-48143		2	SPRING, FILTER
12	35-93568		2	FILTER
13	32-12837		1	TUBE, FUEL INLET
14	22-93385		1	ELBOW, FUEL INLET TUBE
15	27-42270A1	■	1	GASKET SET
16	27-12732	■	1	GASKET, FLANGE
17	1399-6508-92		4	JET
18	32-42265		2	TUBE, VENT
19	12849--2		1	BRACKET, THROTTLE
20	24-32817		1	SPRING, THROTTLE RETURN
21	15017		1	THROTTLE BRACKET
22	10-78291		2	SCREW, THROTTLE BRACKET
23	13-26996		2	LOCKWASHER, THROTTLE BRACKET SCREW
24	11-79989		2	NUT, THROTTLE BRACKET SCREW
25	16-98851		1	STUD, CABLE
26	12-21631		2	WASHER, CABLE STUD
27	23-31866		1	SPACER, CABLE STUD
28	11-20586		1	NUT, CABLE STUD
29	16-96108		4	STUD, CARBURETOR
30	12-20084		2	WASHER, CARBURETOR STUD
	12-39167		2	WASHER, CARBURETOR STUD
31	11-35814		4	NUT, CARBURETOR STUD
32	16-30668		1	STUD, FLAME ARRESTOR
33	12375--1		1	FLAME ARRESTOR
34	12-22753		1	WASHER, FLAME ARRESTOR STUD
35	11-35814		1	NUT, FLAME ARRESTOR STUD
36	32-93315-12		2	HOSE, VENT (11")
37	69355		4	STA-STRAP, VENT HOSE
38	16-72809		1	STUD, THROTTLE CABLE TO CARBURETOR
39	11-20586		1	NUT, THROTTLE CABLE STUD (1/4-28)

■ = PART OF GASKET SET, COMPLETE [27-13217A1]

CONTINUED ON NEXT PAGE ➡

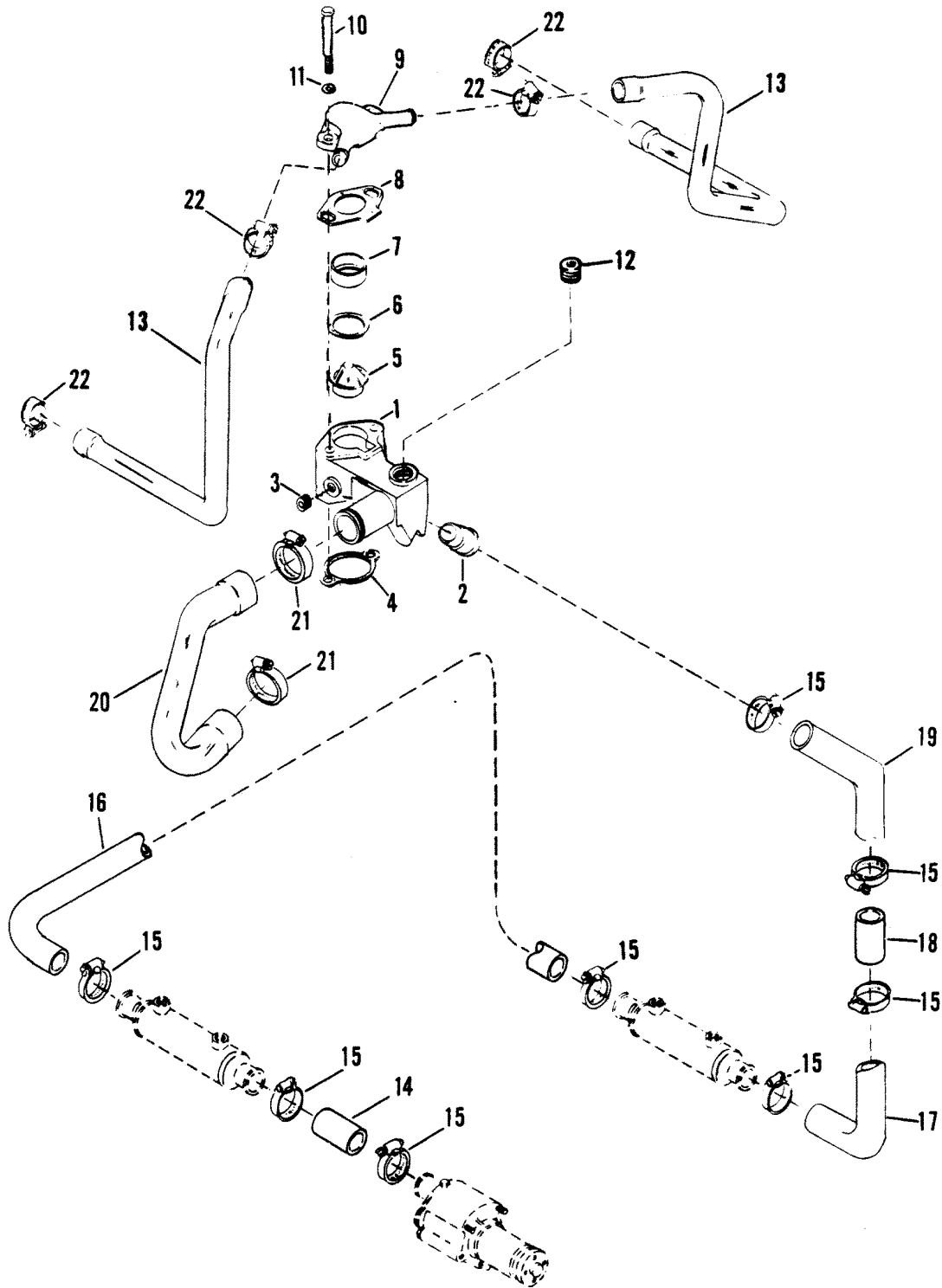
FUEL PUMP, CARBURETOR AND LINKAGE



FUEL PUMP, CARBURETOR AND LINKAGE

REF. NO.	PART NO.	SYM.	QTY.	DESCRIPTION
40	11-21825		1	NUT, THROTTLE CABLE STUD (1/4-28)
41	12-29245		2	WASHER, THROTTLE CABLE STUD
42	23-53811		1	SPACER, THROTTLE CABLE STUD
43	11-56374		1	NUT, THROTTLE CABLE STUD (1/4-20)
44	37-13723-49		1	DECAL, CARBURETOR COVER

THERMOSTAT HOUSING AND WATER HOSES

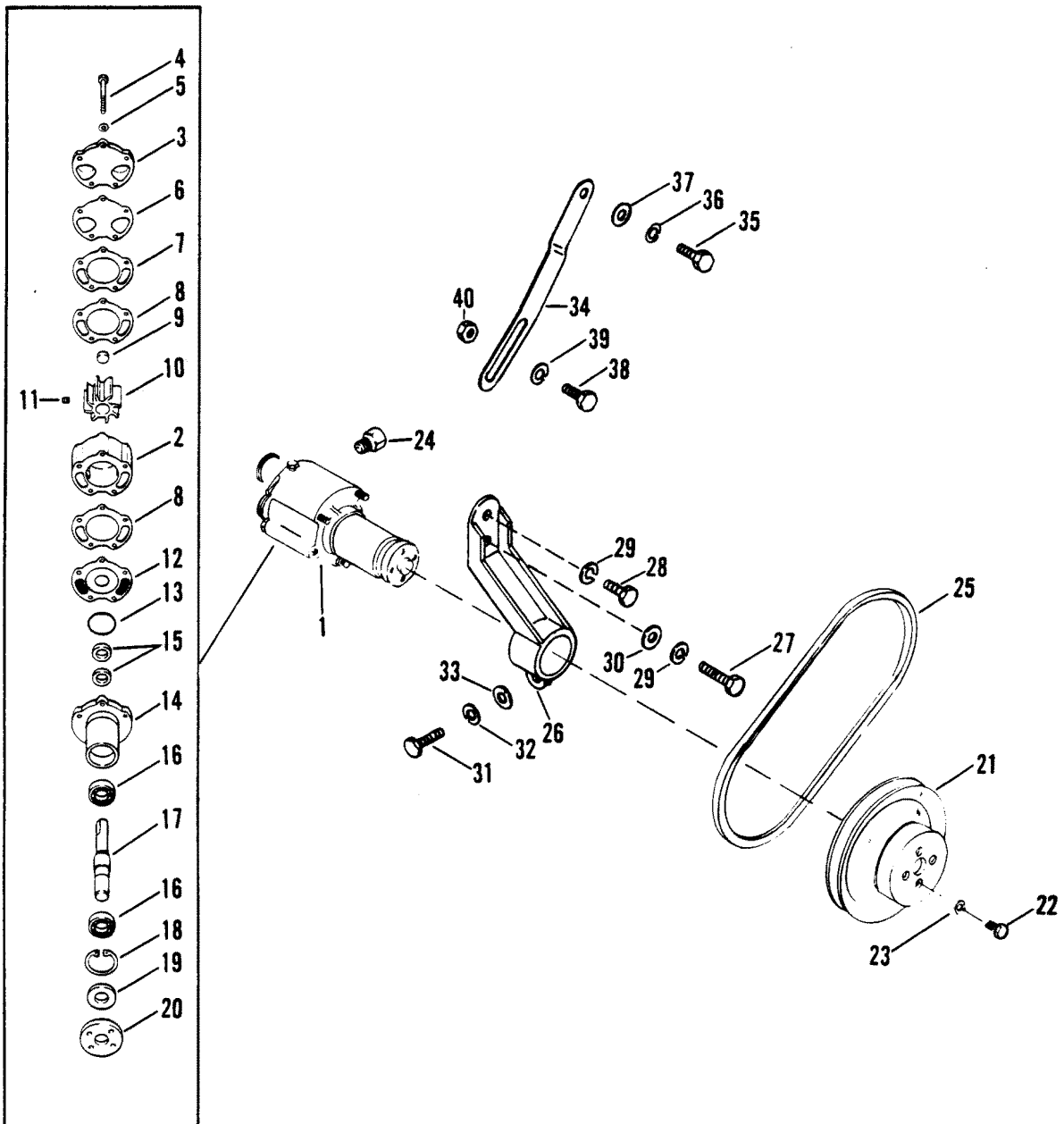


THERMOSTAT HOUSING AND WATER HOSES

REF. NO.	PART NO.	SYM.	QTY.	DESCRIPTION
1	87290A4		1	THERMOSTAT HOUSING ASSEMBLY
2	23-47511		1	SLEEVE, THERMOSTAT HOUSING
3	22-32803		2	PIPE PLUG
4	27-53045--1	■	1	GASKET, THERMOSTAT HOUSING
5	59137		1	THERMOSTAT (143 DEGREES)
6	27-47510	■	1	GASKET, THERMOSTAT
7	23-47508		1	SLEEVE, THERMOSTAT
8	27-48818	■	2	GASKET, THERMOSTAT COVER
9	47441A1		1	COVER, THERMOSTAT
10	10-60410		2	SCREW, THERMOSTAT HOUSING TO INTAKE MANIFOLD (4-1/4")
11	12-20553		2	WASHER, THERMOSTAT HOUSING SCREW
12	22-33198A1		1	PLUG, THERMOSTAT HOUSING
13	32-98090-70		2	HOSE, THERMOSTAT COVER
14	32-53461-70		1	HOSE, WATER PUMP TO OIL COOLER (7")
15	54-18076--6		8	CLAMP, HOSE ATTACHING
16	32-12817		1	HOSE, OIL COOLER TO OIL COOLER
17	32-12818		1	HOSE, OIL COOLER TO TUBE
18	22-13177		1	TUBE, WATER HOSE
19	32-64346		1	HOSE, OIL COOLER TO THERMOSTAT HOUSING
20	32-12807		1	HOSE, THERMOSTAT HOUSING (W/O POWER STEERING)
	32-77006--1		1	HOSE, THERMOSTAT HOUSING (W POWER STEERING)
21	54-18076--9		2	CLAMP, HOSE ATTACHING
22	54-18076--3		4	CLAMP, HOSE ATTACHING

■ = PART OF GASKET SET, COMPLETE [27-13217A1]

SEA WATER PUMP ASSEMBLY

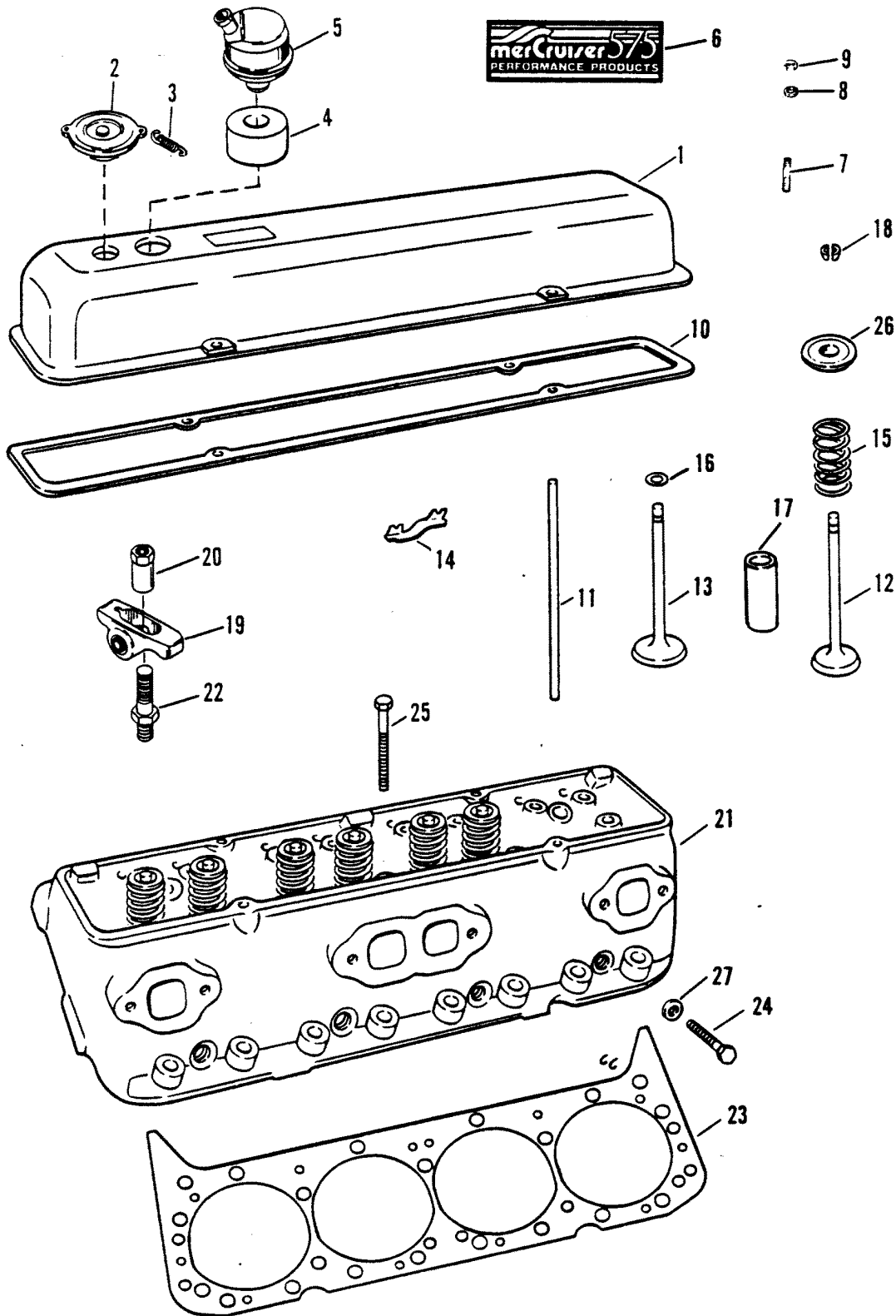


SEA WATER PUMP ASSEMBLY

REF. NO.	PART NO.	SYM.	QTY.	DESCRIPTION
1	46-72774A32		1	WATER PUMP ASSEMBLY
2	46-72774A40		1	BODY, WATER PUMP
3	87631A1		1	COVER, WATER PUMP
4	10-73275		5	SCREW, WATER PUMP (2-7/8")
5	12-20084		5	WASHER, COVER SCREW
6	27-94915	■	1	GASKET, COVER TO OUTER WEAR PLATE
7	94916		1	WEAR PLATE, OUTER
8	27-94914	■	2	GASKET, BODY TO WEAR PLATE
9	19-59504		1	PLUG, IMPELLER
10	47-59362		1	IMPELLER
11	28-56662		1	KEY, IMPELLER DRIVE
12	94576		1	WEAR PLATE, INNER
13	25-94288		1	QUAD RING, PUMP HOUSING
14	46-94913A1		1	PUMP HOUSING ASSEMBLY
15	26-90562	■	2	OIL SEAL, WATER PUMP SHAFT
16	30-72961		2	BALL BEARING, WATER PUMP SHAFT
17	59501A1		1	SHAFT, WATER PUMP
18	53-23720		1	SNAP RING, BALL BEARING RETAINING
19	26-72785		1	OIL SEAL, WATER PUMP SHAFT
20	47530		1	HUB, WATER PUMP PULLEY
21	59762T		1	PULLEY, WATER PUMP
22	10-47277		4	SCREW, PULLEY (3/4")
23	13-39107		4	LOCKWASHER, PULLEY SCREW
24	22-32802		1	PLUG, PIPE (FOR WATER PUMP BODY)
25	57-94290		1	BELT, WATER PUMP
26	47489A2		1	BRACKET ASSEMBLY, WATER PUMP
27	10-47462		1	SCREW, WATER PUMP BRACKET (1")
28	10-48948		1	SCREW, WATER PUMP BRACKET (7/8")
29	13-32993		2	LOCKWASHER, BRACKET SCREW
30	12-27025		1	WASHER, BRACKET SCREW
31	10-34354		1	SCREW, WATER PUMP BRACKET (1-1/2")
32	13-35048		1	LOCKWASHER, BRACKET SCREW
33	12-29330		1	WASHER, WATER PUMP SCREW (FOR SLOT)
34	64177		1	BRACE, WATER PUMP
35	10-47462		1	SCREW, BRACE TO ENGINE (1")
36	13-32993		1	LOCKWASHER, BRACE SCREW
37	12-30315		1	WASHER, BRACE SCREW
38	10-35786		1	SCREW, WATER PUMP BRACE (1")
39	13-35048		1	LOCKWASHER, BRACE SCREW
40	11-24883		1	NUT, BRACE SCREW

■ = PART OF GASKET SET, COMPLETE [27-13217A1]

CYLINDER HEAD AND ROCKER COVER

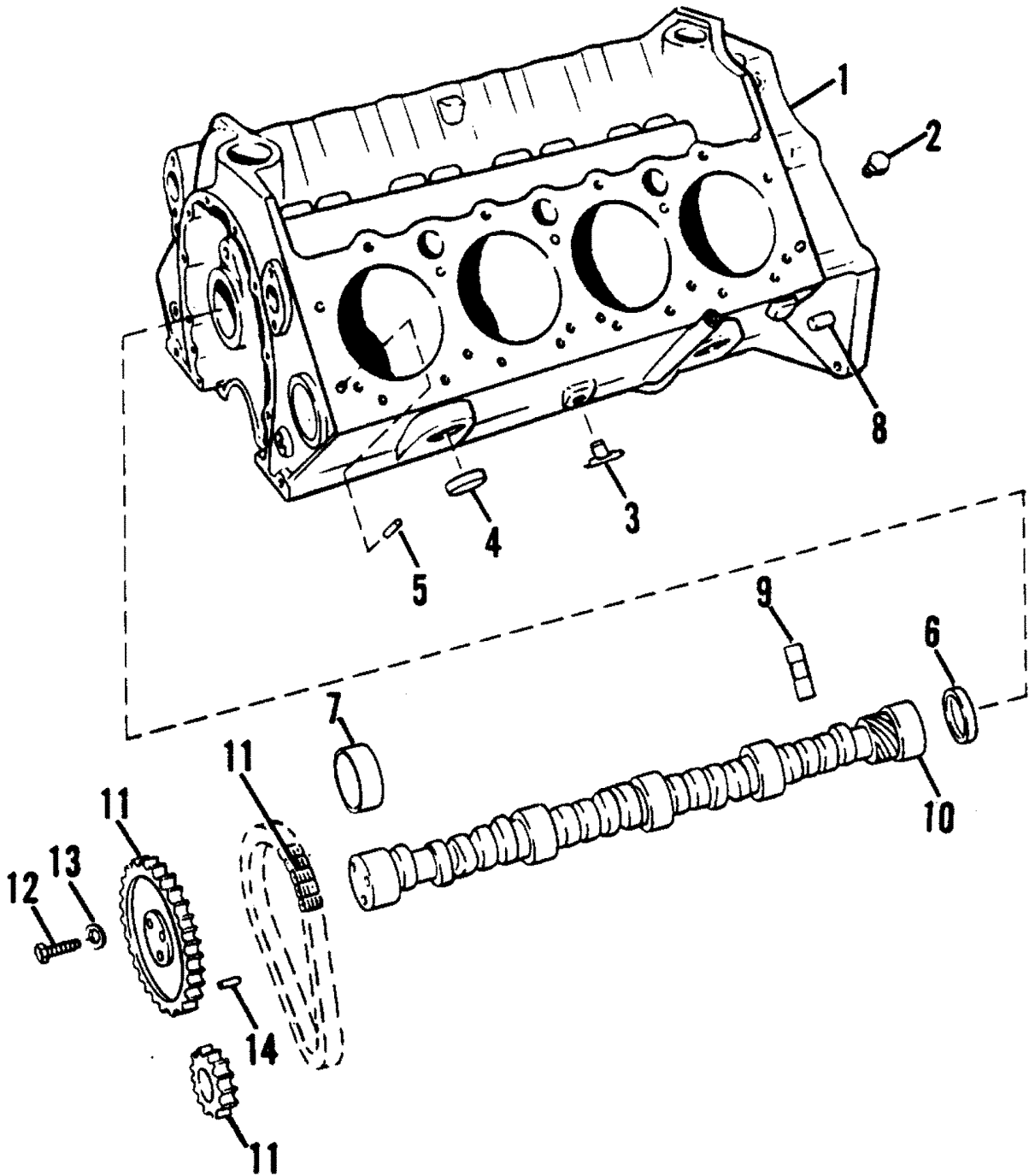


CYLINDER HEAD AND ROCKER COVER

REF. NO.	PART NO.	SYM.	QTY.	DESCRIPTION
1	77679		2	ROCKER COVER
2	36-14903		2	CAP, OIL FILLER
3	24-70086		2	SPRING, FILLER CAP
4	25-49767		2	GROMMET, ROCKER COVER
5	14902		2	BREATHER, ROCKER COVER
6	37-16592--5		2	DECAL
7	16-56766		14	STUD, ROCKER COVER
8	12-39143		14	WASHER, ROCKER COVER STUD
9	11-20361		14	NUT, ROCKER COVER STUD
10	27-91831	■	2	GASKET, ROCKER COVER
11	96023		8	ROD, VALVE PUSH (INLET)
	96024		8	ROD, VALVE PUSH (EXHAUST)
12	13024		8	VALVE, EXHAUST (STANDARD)
13	98678--1		8	VALVE, INLET (STANDARD)
14	13559		8	GUIDE, PUSH ROD
15	24-69288		16	SPRING, VALVE
16	15-54531		8	SHIM, INLET VALVE SPRING
17	23-79781		16	BUSHING
18	96028		1	KEY, VALVE STEM (INCLUDES 32 KEYS)
19	14729--1		16	ARM, VALVE ROCKER
20	11-14985		16	NUT, VALVE ROCKER ARM
21	938-9221		2	CYLINDER HEAD ASSEMBLY
22	95820		16	STUD, VALVE ROCKER ARM
23	27-13217	■	2	GASKET, CYLINDER HEAD
24	10-49106		8	BOLT, CYLINDER HEAD (2")
25	10-49105		24	BOLT, CYLINDER HEAD (4-1/8")
26	14368		16	RETAINER, VALVE SPRING
27	12-45176		8	WASHER, CYLINDER HEAD BOLT

■ = PART OF GASKET SET, COMPLETE [27-13217A1]

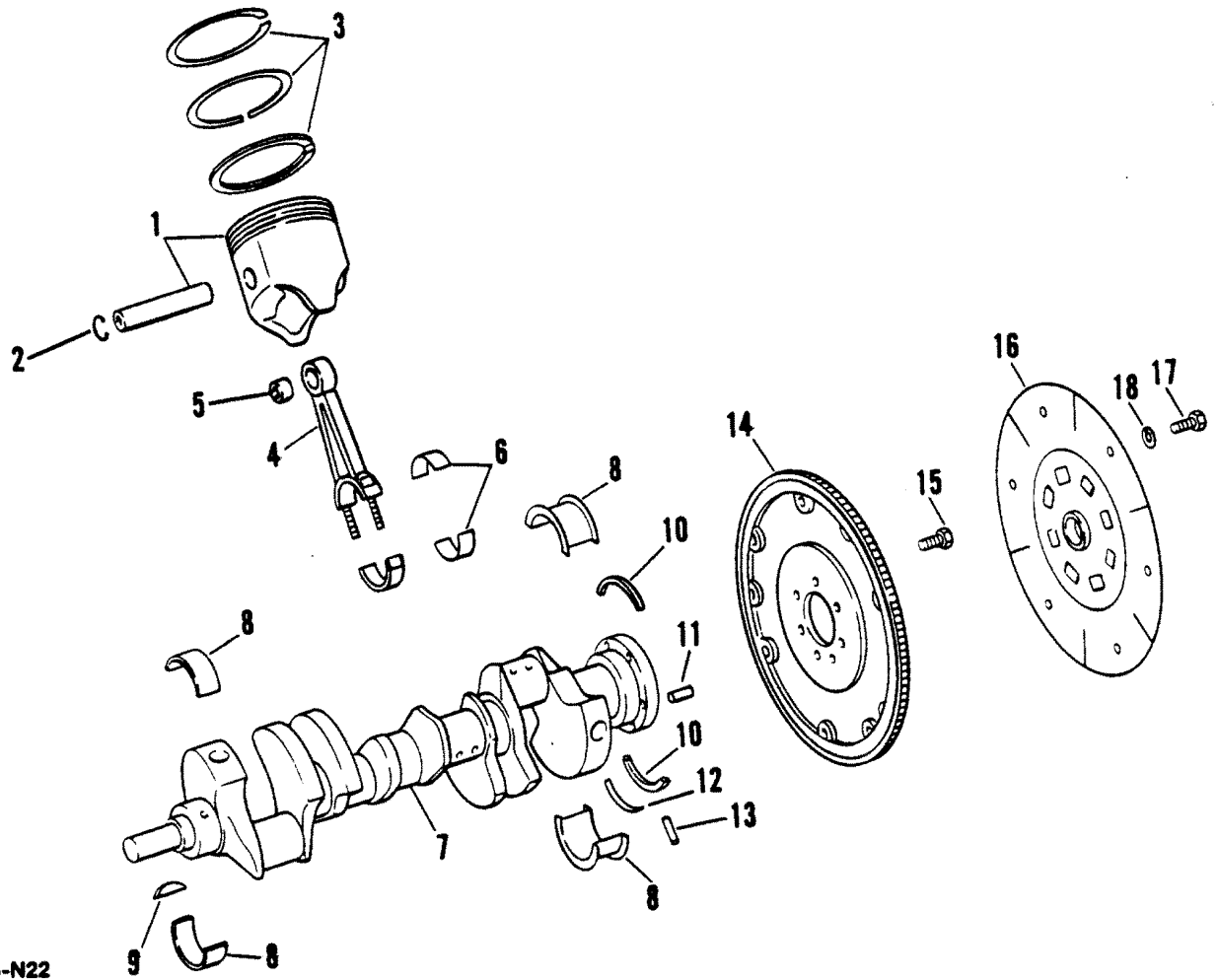
CYLINDER BLOCK AND CAMSHAFT



CYLINDER BLOCK AND CAMSHAFT

REF. NO.	PART NO.	SYM.	QTY.	DESCRIPTION
1	42112A17		1	CYLINDER BLOCK ASSEMBLY
2	22-47540		1	PLUG
3	22-36382		3	PLUG
4	22-69300		8	PLUG, EXPANSION - BLOCK
5	17-52190		4	PIN, DOWEL CYLINDER HEAD
6	19-52191		1	PLUG, EXPANSION - CAM
7	23-61272		1	BEARING, UNIT - CAM
8	17-72382		2	PIN, CYLINDER BLOCK
9	12809		16	LIFTER
10	12475		1	CAMSHAFT
11	77531		1	CHAIN AND TIMING GEAR KIT
12	10-34505		3	BOLT, CAMSHAFT SPROCKET (3/4")
13	12-39167		3	WASHER, CAMSHAFT SPROCKET SCREW
14	17-35312		1	PIN, DOWEL - CAMSHAFT SPROCKET

CRANKSHAFT, PISTONS AND CONNECTING RODS (460)



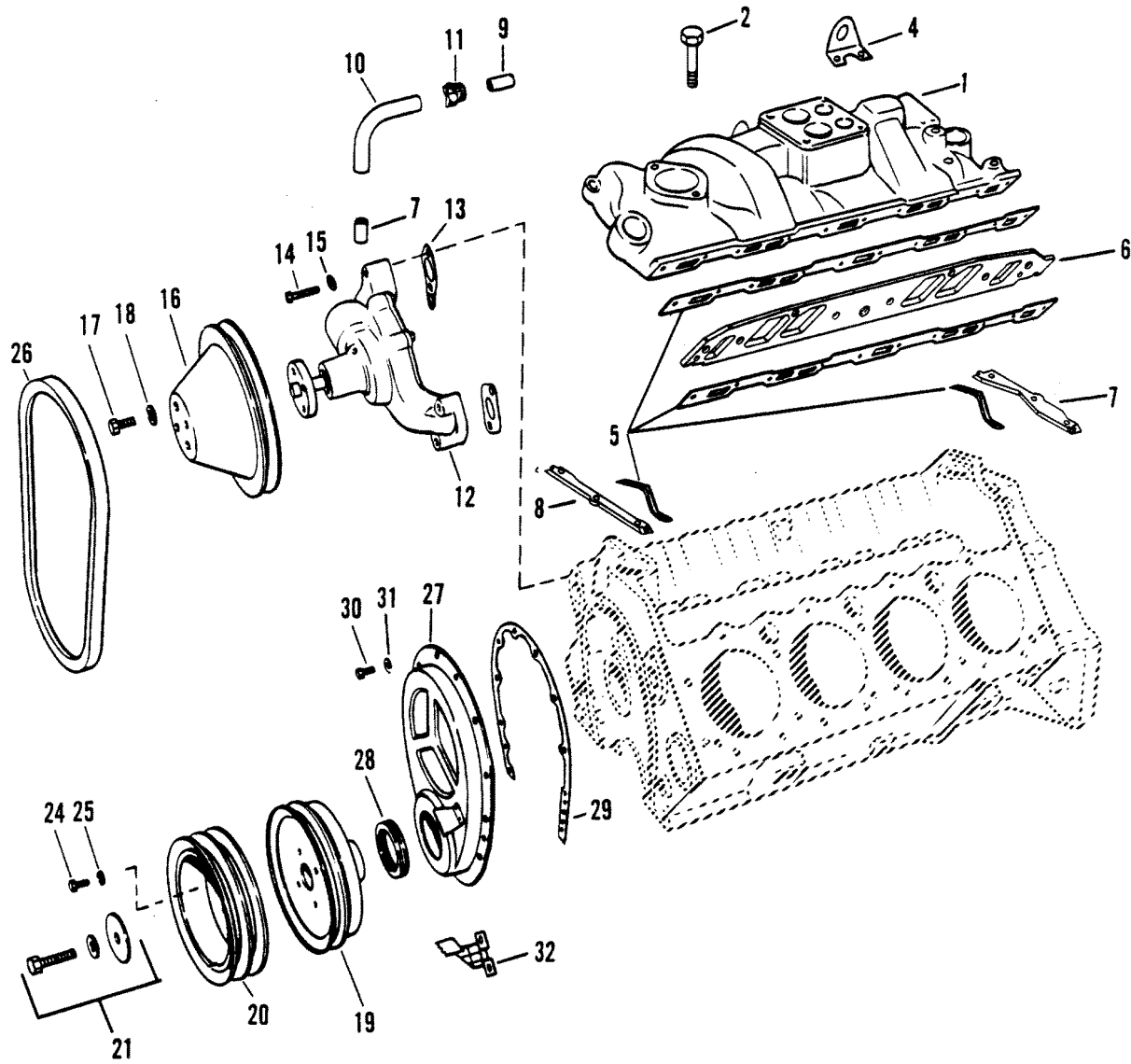
0023-N22

CRANKSHAFT, PISTONS AND CONNECTING RODS (460)

REF. NO.	PART NO.	SYM.	QTY.	DESCRIPTION
1	17802A1		8	PISTON & PIN (STANDARD) FLAT DOME
	17803A1		AR	PISTON & PIN (.030 O.S.) FLAT DOME
	789-813058A1		8	PISTON & PIN (STANDARD) RECESSED DOME
	789-813059A1		AR	PISTON & PIN (.030 O.S.) RECESSED DOME
2	17799		32	SPIRO LOX, PISTON
3	39-42733		1	PISTON RING SET (STANDARD)
	39-42733-30		1	PISTON RING SET (.030 O.S.)
4	622-7929		8	CONNECTING ROD
5	42839		8	BUSHING, CONNECTING ROD
6	23-61170		8	BEARING, CONNECTING ROD (STANDARD)
	23-61170-10		8	BEARING, CONNECTING (.010 U.S.)
7	12492		1	CRANKSHAFT
8	23-61171		1	BEARING SET, CRANKSHAFT (STANDARD)
	23-61171-10		1	BEARING SET, CRANKSHAFT (.010 U.S.)
9	28-34466		3	KEY, CRANKSHAFT
10	26-14756	■	1	OIL SEAL, REAR - CRANKSHAFT BEARING CAP
11	17-43504	■	1	DOWEL PIN, CRANKSHAFT
12	15-98184		AR	SHIM, REAR OIL SEAL
13	17-35312		1	PIN, DOWEL-REAR CRANKSHAFT BEARING CAP (1/4" DIA.)
14	230-8100--2		1	FLYWHEEL
15	10-49845		6	SCREW, FLYWHEEL TO CRANKSHAFT
16	74816		1	DRIVE PLATE
17	10-35091		6	SCREW, DRIVE PLATE
18	13-35048		6	LOCKWASHER, DRIVE PLATE SCREW

■ = PART OF GASKET SET, COMPLETE [27-13217A1]

INTAKE MANIFOLD AND FRONT COVER

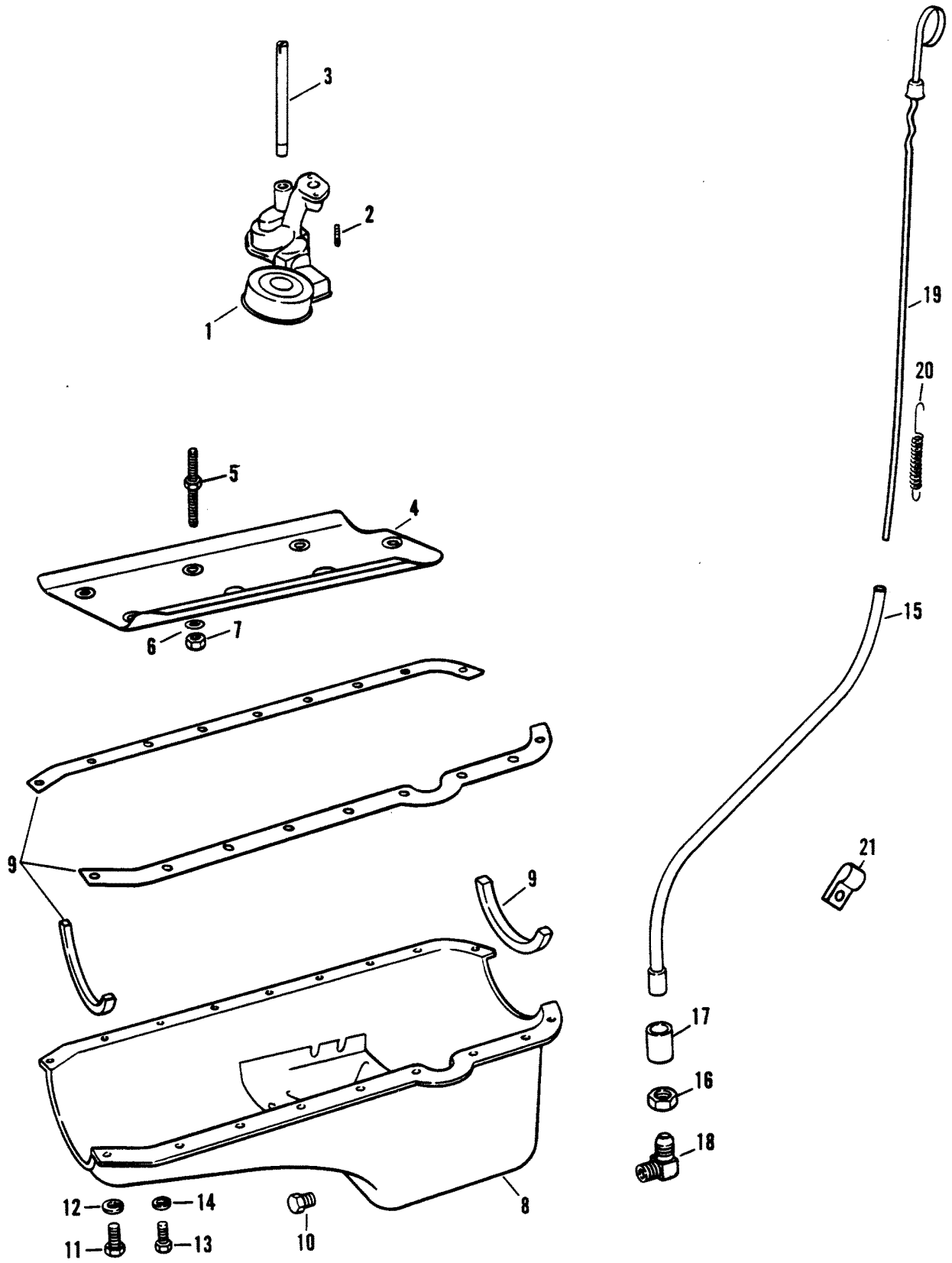


INTAKE MANIFOLD AND FRONT COVER

REF. NO.	PART NO.	SYM.	QTY.	DESCRIPTION
1	12376		1	INTAKE MANIFOLD
2	10-64900		12	BOLT, INTAKE MANIFOLD
	10-35787		8	BOLT, INTAKE MANIFOLD
3	12-45175		20	WASHER, INTAKE MANIFOLD SCREW
4	54-64628--1		2	LIFTING EYE
5	27-98086A1	■	1	GASKET SET, INTAKE MANIFOLD
6	54637		2	ADAPTOR PLATE (SIDE)
7	54636		1	ADAPTOR PLATE (REAR)
8	54635		1	ADAPTOR PLATE (FRONT)
9	22-66201		2	CONNECTOR, INTAKE PUMP/INTAKE MANIFOLD
10	32-66206		1	HOSE, BY-PASS - WATER PUMP/INTAKE MANIFOLD
11	54-18076--3		2	CLAMP, BY-PASS HOSE
12	17670		1	WATER PUMP
13	27-49110	■	2	GASKET, WATER PUMP MOUNTING
14	10-32132		4	SCREW, WATER PUMP TO CYLINDER BLOCK (1-3/4")
15	13-35048		4	LOCKWASHER, WATER PUMP SCREW
16	13728--1		1	PULLEY, WATER PUMP
17	10-47277		4	SCREW, PULLEY TO WATER PUMP (3/4")
18	13-39107		4	LOCKWASHER, WATER PUMP TO PULLEY SCREW
19	72605--1		1	BALANCER, HARMONIC - CRANKSHAFT
20	41450		1	PULLEY, HARMONIC BALANCER
21	814441		1	BALANCER BOLT KIT
24	10-94207		3	BOLT, PULLEY
25	12-47393		3	WASHER, PULLEY BOLT
26	57-14458		1	BELT, ALTERNATOR DRIVE
27	66215		1	COVER, CRANKCASE
28	26-49154	■	1	OIL SEAL, CRANKCASE COVER
29	27-54529	■	1	GASKET, CRANKCASE COVER
30	10-28635		10	SCREW, CRANKCASE COVER TO BLOCK (7/16")
31	13-26992		10	LOCKWASHER, COVER SCREW
32	59966		1	POINTER, TIMING

■ = PART OF GASKET SET, COMPLETE [27-13217A1]

OIL PAN AND OIL PUMP

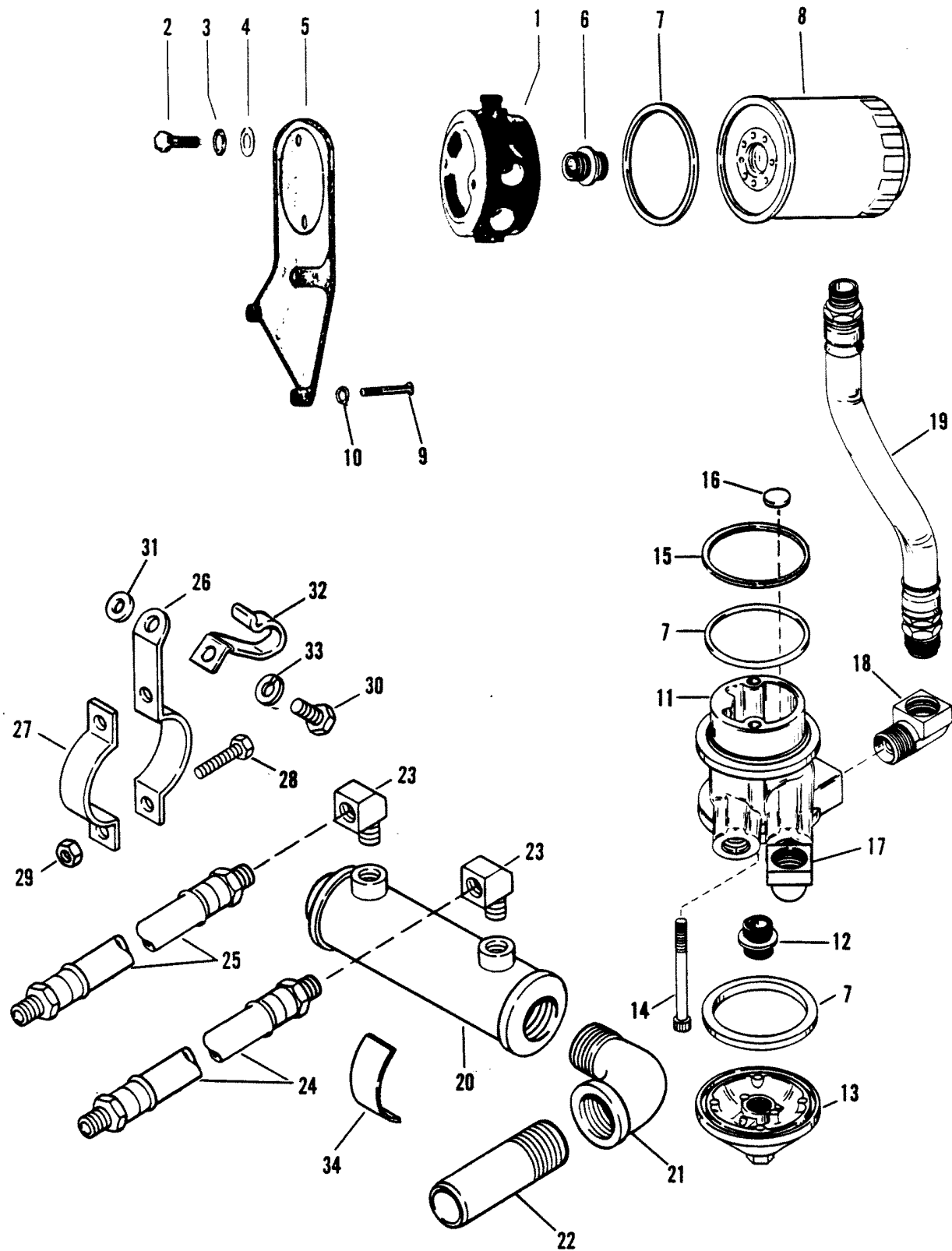


OIL PAN AND OIL PUMP

REF. NO.	PART NO.	SYM.	QTY.	DESCRIPTION
1	98337A2		1	OIL PUMP
2	16-49108		1	STUD, OIL PUMP TO CYLINDER BLOCK
3	49149		1	SHAFT, OIL PUMP TO DISTRIBUTOR
4	49198		1	BAFFLE, OIL PAN
5	16-49144		4	STUD, BAFFLE
6	12-25909		5	WASHER, OIL PAN BAFFLE/OIL PUMP STUD
7	11-37500		5	NUT, OIL PAN BAFFLE/OIL PUMP STUD
8	47552A5		1	OIL PAN
9	27-52550	■	1	GASKET SET, OIL PAN
10	22-32803		1	PLUG, PIPE
11	10-55714		10	SCREW, OIL PAN (5/16-18 X 7/8")
12	12-20546		10	WASHER, OIL PAN SCREW
13	10-55715		2	SCREW, OIL PAN (1/4-20 X 7/8")
14	12-20028		2	WASHER, OIL PAN SCREW
15	86890A2		1	TUBE, OIL LEVEL GAUGE
16	11-47626		1	NUT, OIL LEVEL GUAGE TUBE
17	22-78039		1	COUPLING, OIL LEVEL GUAGE TUBE
18	22-47625		1	ELBOW, OIL LEVEL GUAGE TUBE TO OIL PAN
19	87353A2		1	GAUGE, OIL LEVEL (DIPSTICK)
20	24-32817		1	SPRING
21	54-71982--2		1	CLIP, OIL LEVEL TUBE

■ = PART OF GASKET SET, COMPLETE [27-13217A1]

OIL COOLER, OIL FILTER AND ADAPTOR

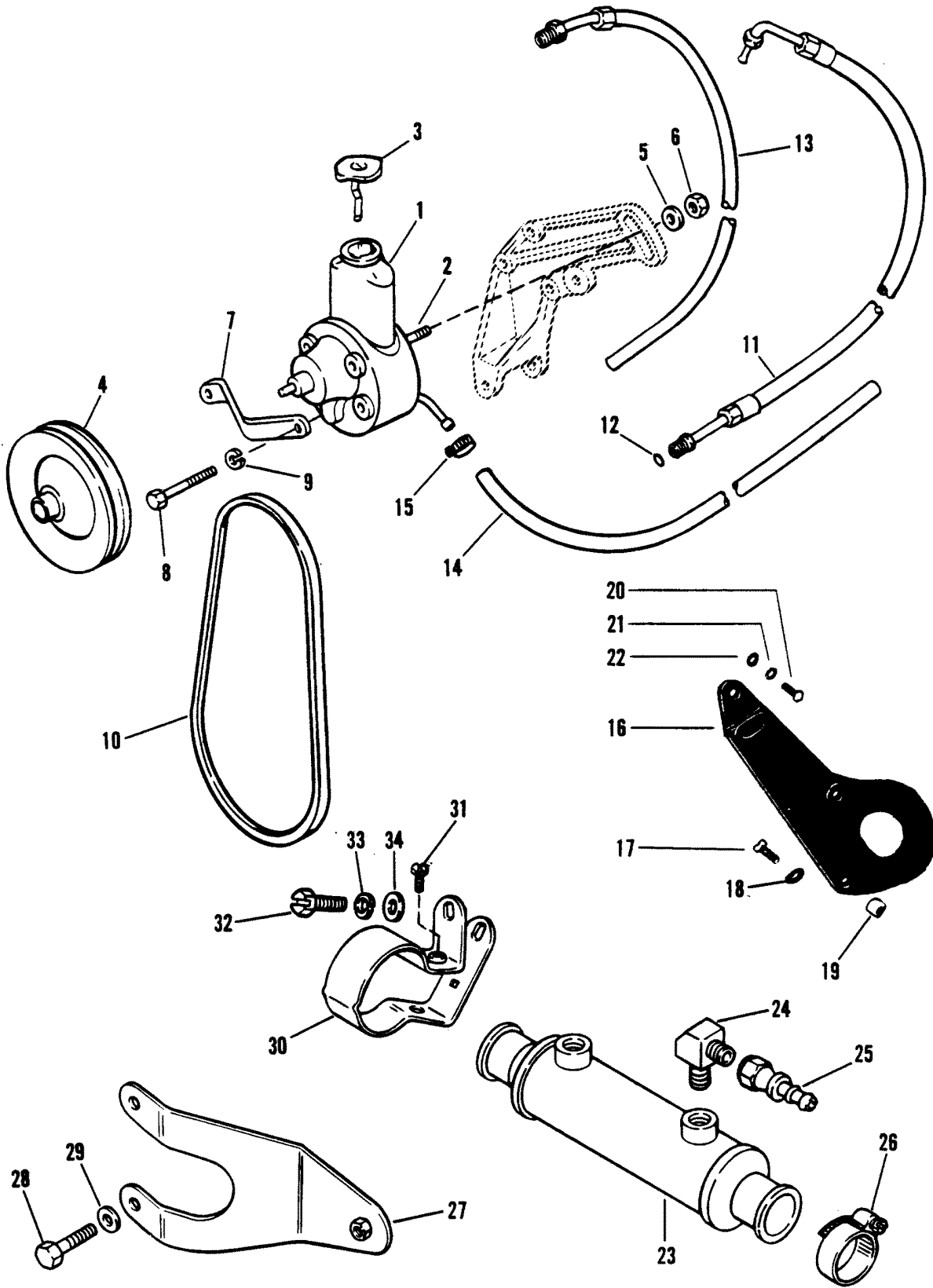


OIL COOLER, OIL FILTER AND ADAPTOR

REF. NO.	PART NO.	SYM.	QTY.	DESCRIPTION
1	48504A2		1	ADAPTOR, OIL FILTER
2	10-34353		2	SCREW, ADAPTOR TO BRACKET
3	13-35048		2	LOCKWASHER, ADAPTOR SCREW
4	12-20553		2	WASHER, OIL FILTER ADAPTOR SCREW
5	63880T		1	BRACKET, OIL FILTER
6	32720		1	ADAPTOR
7	27-91892	■	3	GASKET, ADAPTOR COVER AND OIL FILTER
8	35-16595		1	OIL FILTER
9	10-47462		2	SCREW, BRACKET TO ENGINE
	10-37612		1	SCREW, BRACKET TO ENGINE
10	13-35048		1	LOCKWASHER, BRACKET SCREW
	13-32993		2	LOCKWASHER, BRACKET SCREW
11	90783A22		1	ADAPTOR ASSEMBLY, OIL FILTER
12	32720		1	ADAPTOR
13	91830		1	COVER, ADAPTOR
14	10-91966		1	SCREW, OIL FILTER ADAPTOR (4")
	10-91967		1	SCREW, OIL FILTER ADAPTOR (3-1/4")
15	27-99893	■	1	GASKET, OIL FILTER ADAPTOR
16	19-99816		1	FREEZE PLUG
17	22-63825		1	ELBOW, OIL HOSE
18	22-48246		1	ELBOW, OIL HOSE
19	32-92357-43		1	HOSE, OIL - ADAPTOR (19")
20	70886--2		1	OIL COOLER, ENGINE
21	22-61168		2	FITTING (90 DEGREES)
22	22-61169		2	CONNECTOR (STRAIGHT)
23	22-63825		2	ELBOW, ENGINE OIL COOLER (90 DEGREES)
24	32-92357-51		1	HOSE, OIL - OIL COOLER TO BRACKET (26")
25	32-92357-43		1	HOSE, OIL - OIL COOLER TO ADAPTER (19-1/2")
26	12820		2	BRACKET, OIL COOLER (LONG)
27	56328A1		2	BRACKET, OIL COOLER (SHORT)
28	10-60300		4	SCREW, OIL COOLER BRACKET (3/4")
29	11-30506		4	NUT, OIL COOLER BRACKET SCREW
30	10-34353		2	SCREW, OIL COOLER BRACKET TO ENGINE
31	12-20553		2	WASHER, OIL COOLER BRACKET SCREW
32	54-15095		1	"J" CLIP
33	13-35048		2	LOCKWASHER
34	18068		2	PAD, OIL COOLER

■ = PART OF GASKET SET, COMPLETE [27-13217A1]

POWER STEERING COMPONENTS(M0031-022)



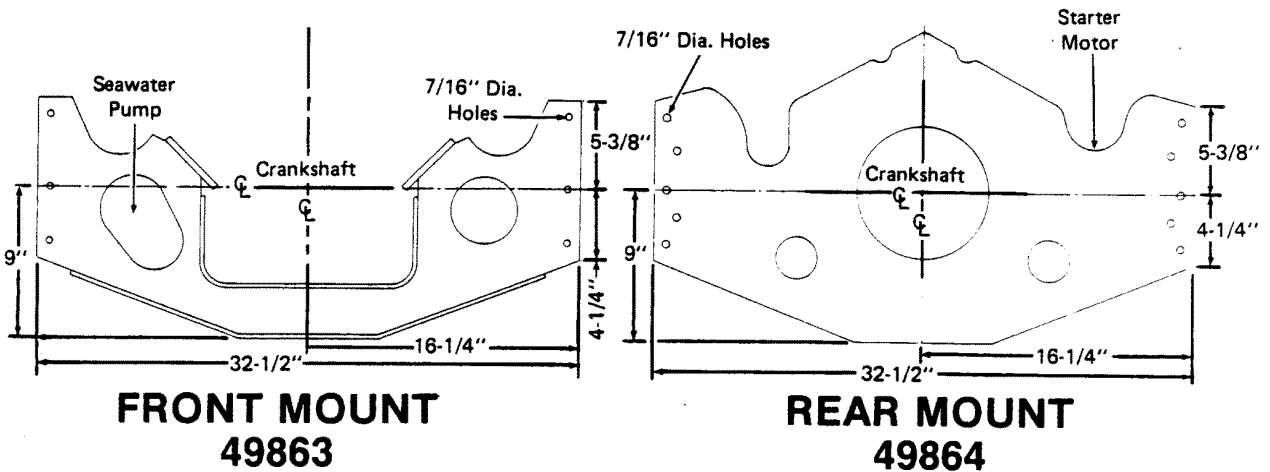
POWER STEERING COMPONENTS(M0031-022)

REF. NO.	PART NO.	SYM.	QTY.	DESCRIPTION
1	16792A1		1	PUMP ASSEMBLY, POWER STEERING
2	16-41877		1	STUD, POWER STEERING PUMP
3	36-95805		1	CAP, POWER STEERING PUMP
4	14459		1	PULLEY, POWER STEERING PUMP
5	12-34567		2	WASHER, PUMP STUD (BRACE SLOT)
6	11-90517		2	NUT, MOUNTING STUD
7	14674		1	BRACE, PUMP MOUNTING
8	10-40062171		1	SCREW, PUMP MOUNTING BRACE
9	13-40024--8		1	LOCKWASHER, BRACE SCREW
10	57-94289		1	V-BELT, POWER STEERING PUMP
11	32-98494		1	HOSE, PRESSURE (FITTINGS ON BOTH ENDS)
12	25-89879		1	"O" RING, PRESSURE HOSE END
13	32-98843-39		1	HOSE, RETURN (FITTINGS ON ONE END)
14	32-52519-14		1	HOSE, PUMP TO OIL COOLER
15	54-18076--1		3	CLAMP, HOSE ATTACHING
16	57436		1	BRACKET, PUMP MOUNTING
17	10-29198		1	BOLT (5/16" X 7/8")
18	12-26168		2	FLATWASHER (5/16")
19	23-90523		1	SPACER
20	10-37269		2	BOLT, BRACKET TO BLOCK (7/16" X 2")
	10-64900		1	BOLT (3/8" X 2")
21	13-32993		2	LOCKWASHER (7/16")
	13-35048		1	LOCKWASHER (3/8")
22	12-22248		2	FLATWASHER (7/16")
	12-20553		1	FLATWASHER (3/8")
23	63832A1		1	OIL COOLER
24	22-47625		2	ELBOW
25	22-70682		2	FITTING
26	54-32780		2	CLAMP
27	14824		1	BRACKET
28	10-68101		2	SCREW
29	12-46132		2	WASHER
30	65970		1	BRACKET
31	10-41408		1	SCREW
32	10-98261		1	SCREW
33	13-35048		1	LOCKWASHER
34	12-20553		1	WASHER

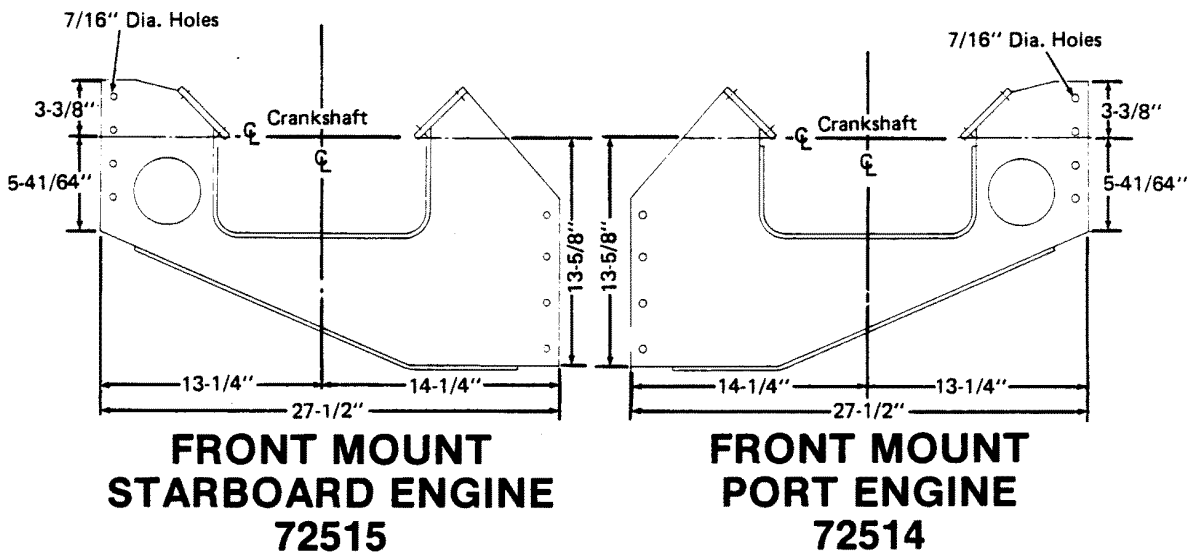
MOUNT PLATES(SINGLE, SIDE BY SIDE ENGINES)

Mounting Hardware

10-86518	Screw (6)
12-20553	Washer (6)



SINGLE ENGINES



SIDE BY SIDE ENGINES

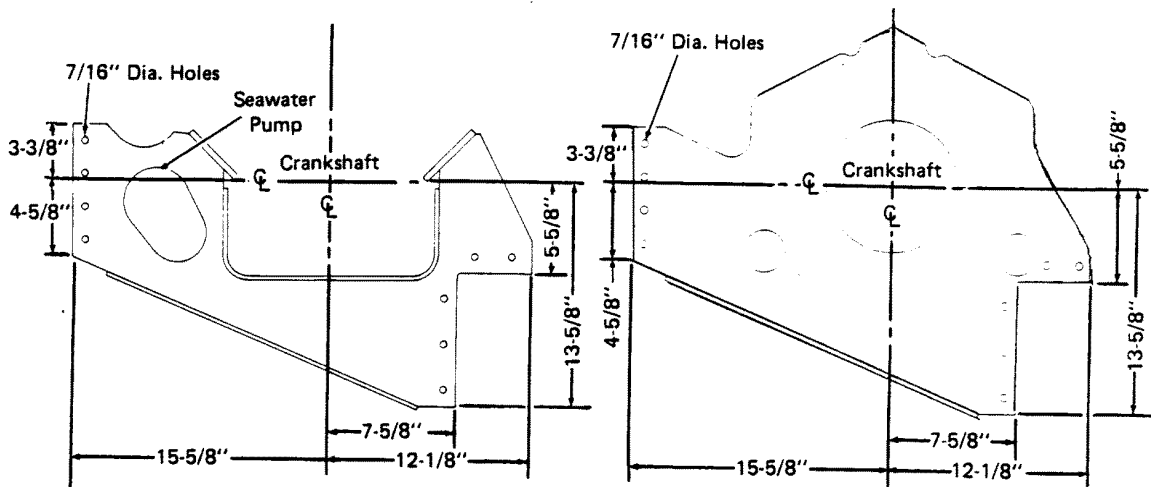
MOUNT PLATES(SINGLE, SIDE BY SIDE ENGINES)

REF. NO.	PART NO.	SYM.	QTY.	DESCRIPTION
-	10-86518		6	SCREW MOUNTING HARDWARE
-	12-20553		6	WASHER MOUNTING HARDWARE
-	49863		0	FRONT MOUNT SINGLE ENGINE
-	49864		0	REAR MOUNT SINGLE ENGINE
-	72515		0	FRONT MOUNT STARBOARD ENGINE SIDE BY SIDE ENGINE
-	72514		0	FRONT MOUNT PORT ENGINE SIDE BY SIDE ENGINE

MOUNT PLATES(STAGGERED ENGINES)

Mounting Hardware

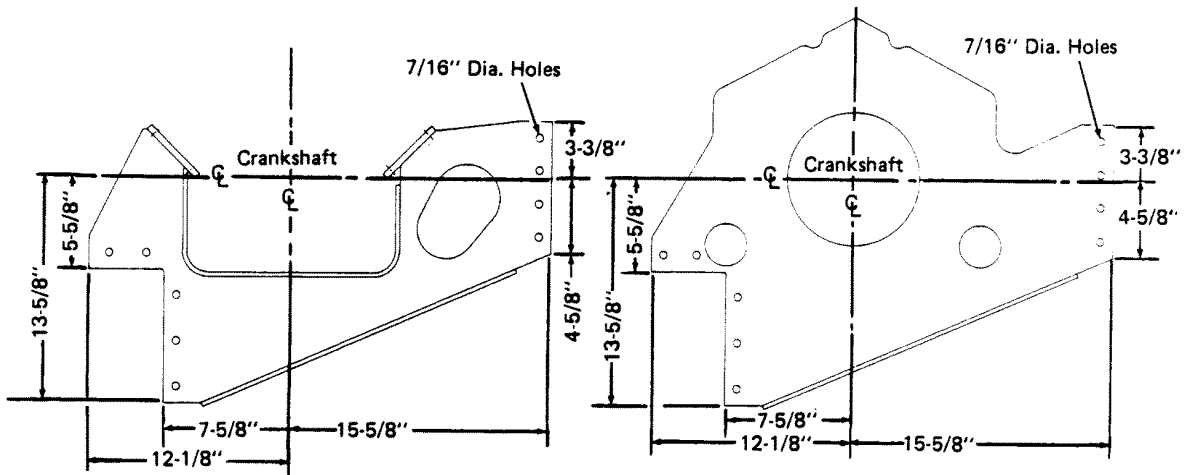
10-86518	Screw (6)
12-20553	Washer (6)



**FRONT MOUNT
49865--1**

**REAR MOUNT
49866--1**

STAGGERED ENGINE (STARBOARD)



**FRONT MOUNT
88665--1**

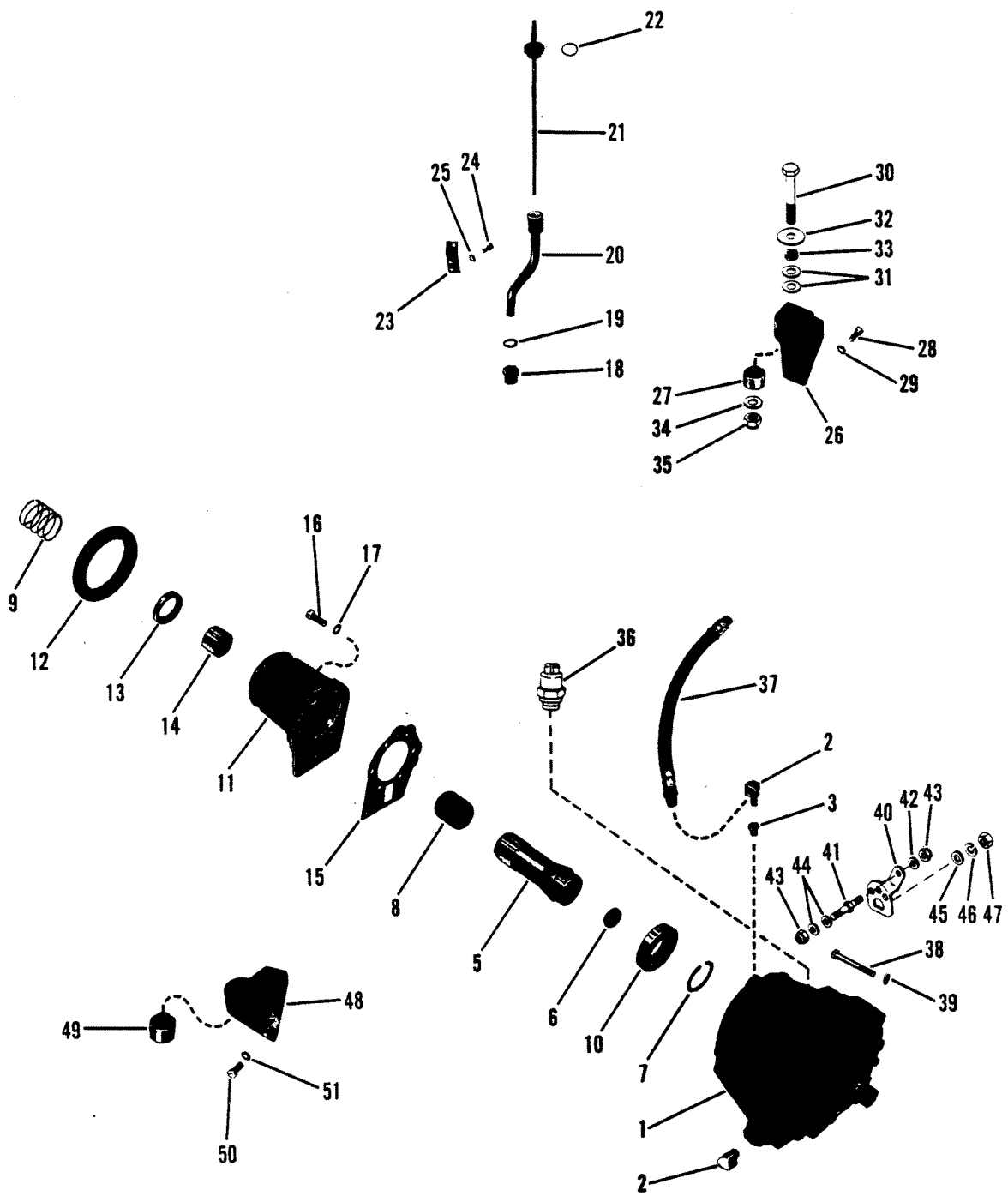
**REAR MOUNT
49866--1**

STAGGERED ENGINE (PORT)

MOUNT PLATES(STAGGERED ENGINES)

REF. NO.	PART NO.	SYM.	QTY.	DESCRIPTION
-	10-86518		6	SCREW
-	12-20553		6	WASHER
-	49865--1		0	FRONT MOUNT STAGGERED ENGINE(STARBOARD)
-	49866--1		0	REAR MOUNT STAGGERED ENGINE(STARBOARD)
-	88665--1		0	FRONT MOUNT STAGGERED ENGINE(PORT)
-	49866--1		0	REAR MOUNT STAGGERED ENGINE(PORT)

TRANSMISSION (PLUG-IN)

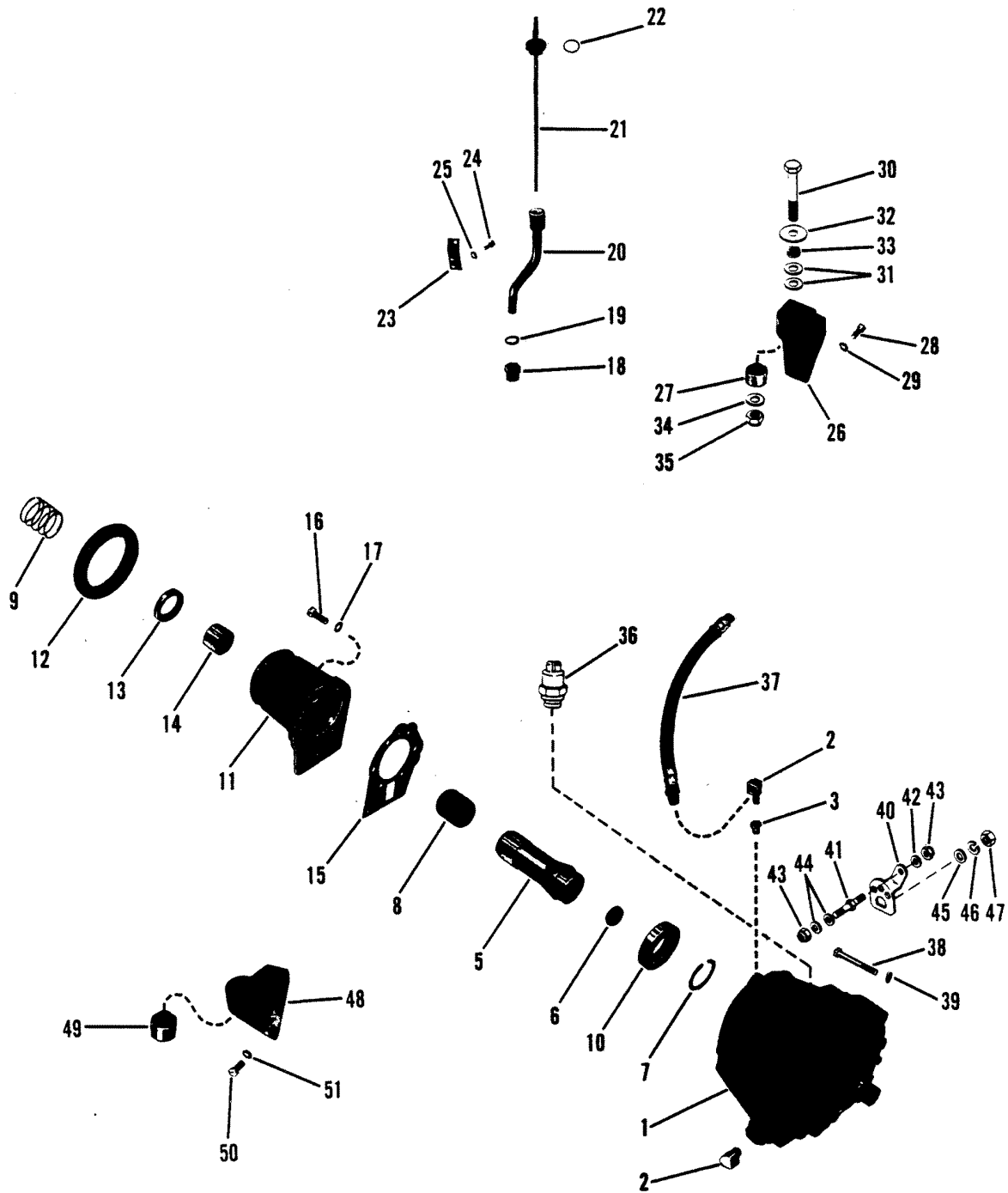


TRANSMISSION (PLUG-IN)

REF. NO.	PART NO.	SYM.	QTY.	DESCRIPTION
1	14746A1		1	TRANSMISSION ASSEMBLY
2	22-47629		2	ELBOW, TRANSMISSION TO OIL HOSE
3	22-88517		1	BUSHING, REDUCING - TRANSMISSION ELBOW
5	47339A4		1	ENGINE COUPLING ASSEMBLY, TRANSMISSION
6	19-47463		1	PLUG, EXPANSION - ENGINE COUPLING
7	53-47469		1	RING, SNAP - BALL BEARING TO ENGINE COUPLING
8	23-47471		1	BEARING, ENGINE COUPLING
9	24-47755		1	SPRING, GUIDE - ENGINE COUPLING
10	30-47470		1	BALL BEARING, ENGINE COUPLING TO TRANSMISSION
11	47333A1		1	HOUSING ASSEMBLY, BEARING SUPPORT
12	25-47756		1	"O" RING, BEARING SUPPORT HOUSING
13	26-47465		1	OIL SEAL, BEARING SUPPORT HOUSING
14	31-47468		1	ROLLER BEARING BEARING SUPPORT HOUSING
15	27-47903		1	GASKET, BEARING SUPPORT HOUSING
16	10-47462		8	SCREW, BEARING SUPPORT HOUSING TO TRANSMISSION (1-1/4")
17	13-32993		8	LOCKWASHER, BEARING SUPPORT HOUSING SCREW
18	48461		1	ADAPTOR, OIL LEVEL GAUGE TUBE TO TRANSMISSION
19	25-48462		1	"O" RING, OIL LEVEL TUBE ADAPTOR
20	48463		1	TUBE, OIL LEVEL GAUGE
21	48464		1	GAUGE, OIL
22	25-35276		1	"O" RING, OIL LEVEL GAUGE
23	48466		1	BRACKET, MOUNTING - OIL LEVEL GAUGE TUBE
24	10-32417		2	SCREW, MOUNTING BRACKET TO TRANSMISSION MOUNT BRACKET
25	13-26992		2	LOCKWASHER, MOUNTING BRACKET SCREW
26	47340A1		1	BRACKET ASSEMBLY, TRANSMISSION MOUNT (PORT)
27	35852		1	MOUNT, TRANSMISSION MOUNT BRACKET
28	10-47462		2	SCREW, MOUNT BRACKET TO TRANSMISSION (1-1/4")
29	13-32993		2	LOCKWASHER, MOUNT BRACKET SCREW
30	10-47467		2	SCREW, TAILSTOCK TO INNER TRANSOM PLATE (5-1/2")
31	12-47466		4	WASHER, TAILSTOCK SCREWS (NEPORENE)
32	12-47475		2	WASHER, TAILSTOCK SCREWS
33	13-34846		2	LOCKWASHER, TAILSTOCK SCREWS
34	12-33171		2	WASHER, TAILSTOCK SCREWS
35	11-22339		2	NUT, TAILSTOCK SCREWS
36	87-88031		1	SWITCH, TEMPERATURE
37	32-47516--6		2	HOSE, TRANSMISSION TO OIL COOLER (30")
38	10-60179		6	SCREW, TRANSMISSION TO ENGINE (3-1/2")
39	13-32993		6	LOCKWASHER, TRANSMISSION SCREW
40	12128		1	LEVER, SHIFT - TRANSMISSION
41	16-63335		1	STUD, SHIFT LEVER
42	12-39143		1	WASHER, SHIFT LEVER STUD
43	11-20361		2	NUT, SHIFT LEVER STUD

CONTINUED ON NEXT PAGE ➡

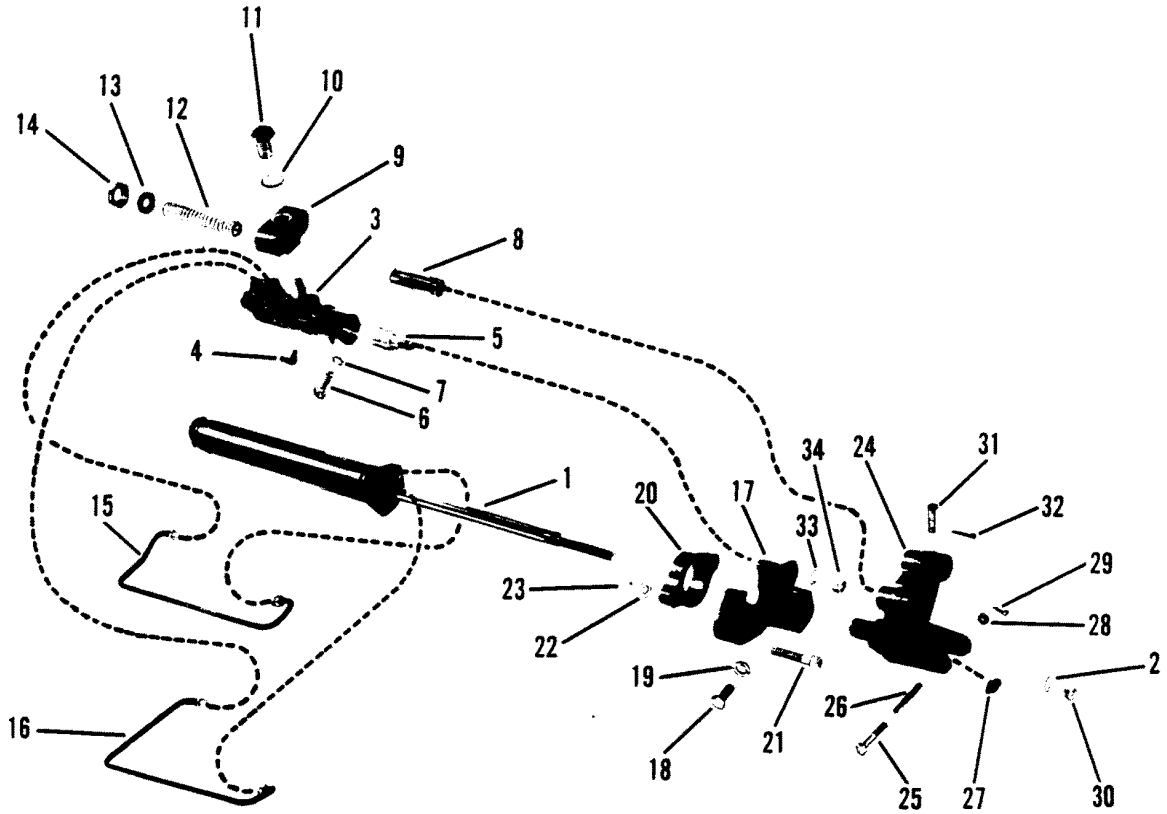
TRANSMISSION (PLUG-IN)



TRANSMISSION (PLUG-IN)

REF. NO.	PART NO.	SYM.	QTY.	DESCRIPTION
44	12-29245		2	WASHER, SHIFT LEVER STUD
45	12-20722		1	WASHER, TRANSMISSION LEVER STUD
46	13-26993		1	LOCKWASHER, TRANSMISSION LEVER STUD
47	11-22053		1	NUT, TRANSMISSION LEVER STUD
48	47334A2		1	BRACKET ASSEMBLY, TRANSMISSION MOUNT (STARBOARD)
49	35852		1	MOUNT, TRANSMISSION MOUNT BRACKET
50	10-47462		2	SCREW, MOUNT BRACKET TO TRANSMISSION (1-1/4")
51	13-32993		2	LOCKWASHER, MOUNT BRACKET SCREW

POWER STEERING COMPONENTS(M0036-022)

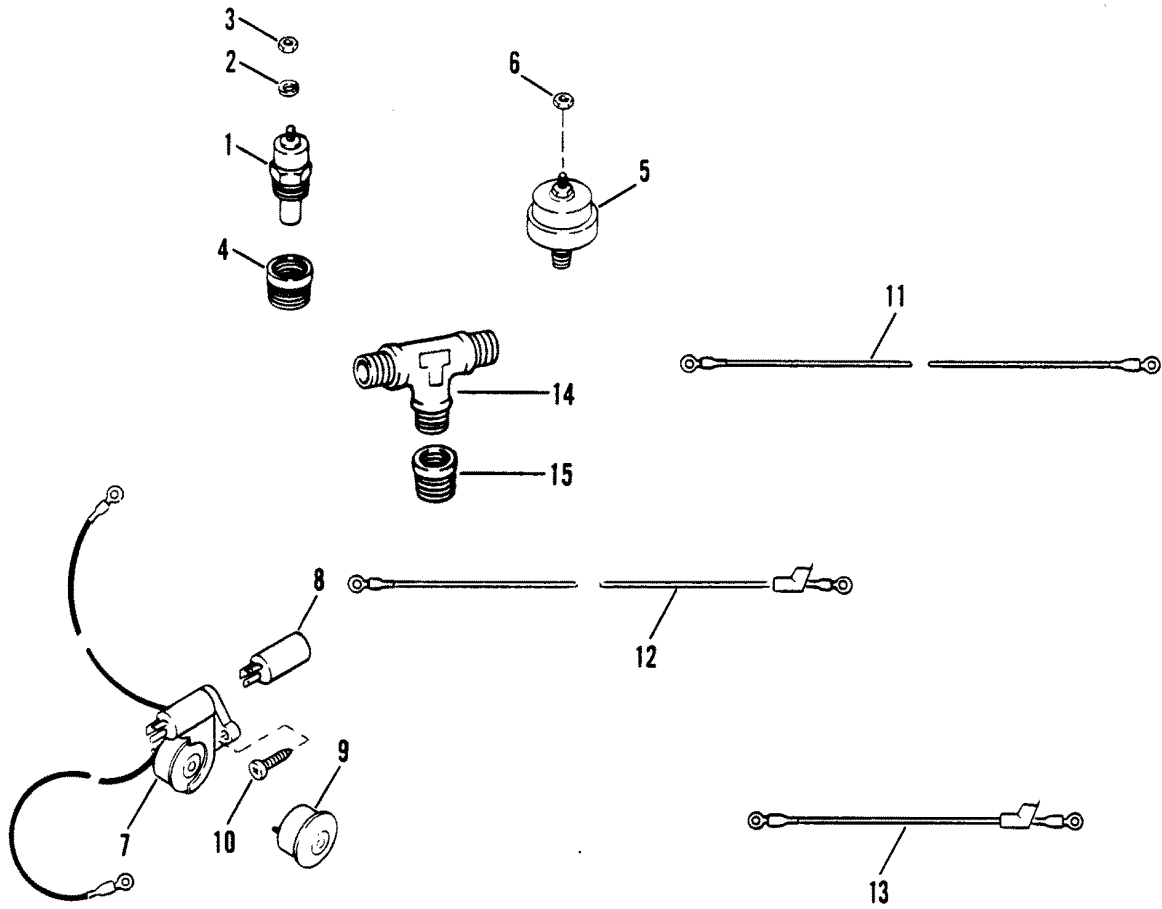


POWER STEERING COMPONENTS(M0036-022)

REF. NO.	PART NO.	SYM.	QTY.	DESCRIPTION
1	85618T		1	CYLINDER (25-58224A1 SEAL REPAIR KIT)
2	12-20086		1	WASHER, BOOSTER CYLINDER SHAFT
3	52779A2		1	VALVE, STEERING (25-58226A1 SEAL REPAIR KIT)
4	22-67305		1	GREASE FITTING
5	16-55109T		1	STUD, ADAPTOR - POWER STEERING VALVE
6	10-68101		1	SCREW, CLAMPING (1-1/4")
7	13-35048		1	LOCKWASHER, CLAMPING SCREW
8	23-87592A1		1	SLEEVE KIT
9	55110		1	ADAPTOR, CABLE GUIDE TUBE (DUAL)
10	13-76629		1	LOCKWASHER, DUAL ADAPTOR NUT
11	11-55111		1	NUT, DUAL ADAPTOR TO POWER STEERING VALVE
12	32-55112		1	TUBE, CABLE GUIDE
13	12-37985		1	WASHER, CABLE GUIDE TUBE
14	11-37984		1	NUT, CABLE GUIDE TUBE
15	32-78895		1	TUBE, EXTENDING - POWER STEERING
16	32-78896		1	TUBE, RETRACTING - POWER STEERING
17	N.S.S.	◇	1	BRACKET, MOUNTING - TRANSOM PLATE
18	10-31832		2	SCREW, MOUNTING BRACKET TO TRANSOM PLATE
19	13-31848		2	LOCKWASHER, MOUNTING BRACKET SCREW
20	93520		1	COLLAR, CLAMPING
21	N.S.S.	◇	2	SCREW, MOUNTING BRACKET TO COLLAR (2")
22	12-20086		2	WASHER, MOUNTING BRACKET SCREW
23	11-69254		2	NUT, MOUNTING BRACKET SCREW
24	79988A1		1	CLEVIS, ROD END
25	10-67462		1	SCREW, ROD END CLEVIS TO STEERING ARM (2-1/4")
26	23-55118		1	SPACER, ROD END CLEVIS SCREW
27	23-60776		1	BUSHING, CLEVIS
28	11-49662		1	NUT, ROD END CLEVIS SCREW
29	18-32665		1	COTTER PIN, CLEVIS SCREW NUT
30	11-53300		1	NUT, BOOSTER CYLINDER SHAFT
31	17-52798		1	PIN, CLEVIS - STEERING CABLE ATTACHING
32	18-46950		1	COTTER PIN, CLEVIS PIN RETAINING
33	12-20959		1	WASHER, VALVE ADAPTOR STUD
34	11-28040		1	NUT, VALVE ADAPTOR STUD

◇ = N.S.S (NOT SOLD SEPERATELY) ORDER FROM A LOCAL SUPPLIER USING THE APPROPRIATE MANUFACT. I.

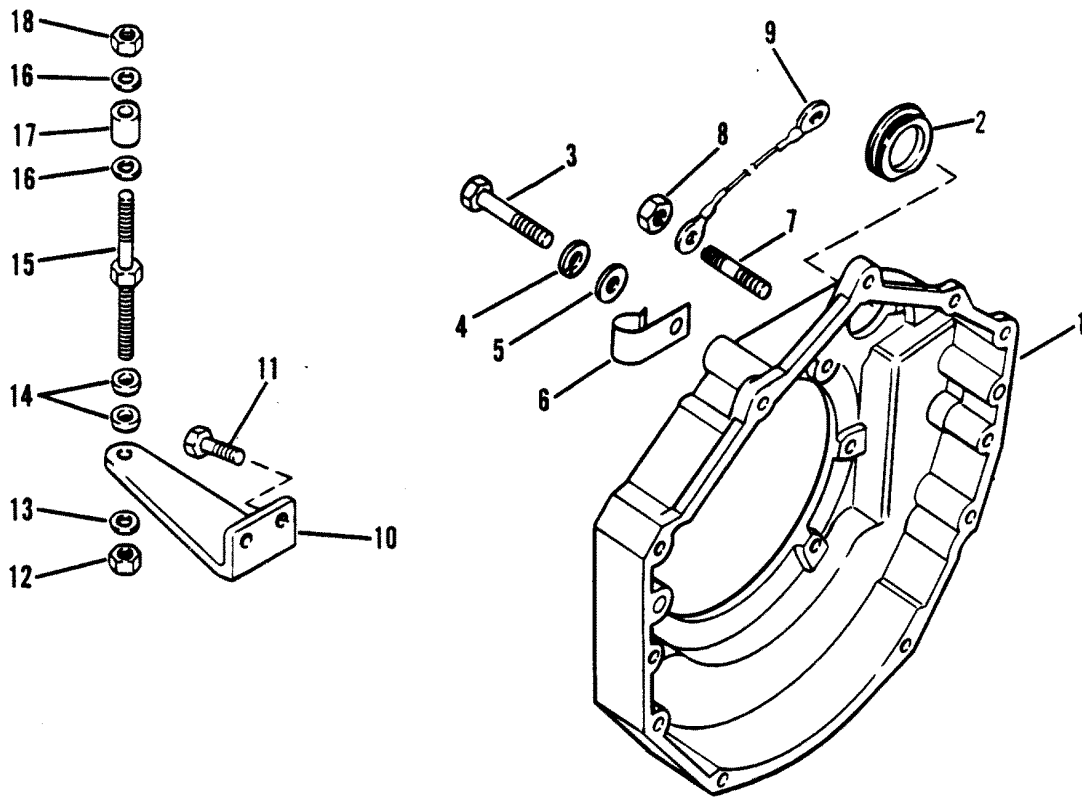
AUDIO WARNING SYSTEM



AUDIO WARNING SYSTEM

REF. NO.	PART NO.	SYM.	QTY.	DESCRIPTION
1	48952		1	SWITCH, WATER TEMPERATURE
2	13-26996		1	LOCKWASHER, TEMPERATURE SWITCH (#10)
3	11-45076		1	NUT, TEMPERATURE SWITCH (10-32)
4	22-48556		1	BUSHING, REDUCER - TEMPERATURE SWITCH
5	38559		1	SWITCH, PRESSURE
6	11-45076		1	NUT, PRESSURE SWITCH TERMINAL (10-32)
7	86047A11		1	BUZZER HOUSING ASSEMBLY
8	86045		1	TIMER, TEMPERATURE BUZZER
9	68878A6		1	HORN
10	10-69013		2	SCREW, HORN ATTACHING
11	84-86044A4		1	WIRE ASSEMBLY, TAN/BLUE (36")
12	84-88032A1		1	WIRE ASSEMBLY, TAN/BLUE (20")
13	84-86322A8		1	WIRE ASSEMBLY, BLACK (8")
14	22-52930		1	TEE
15	22-38992		1	BUSHING, TEMPERATURE SWITCH

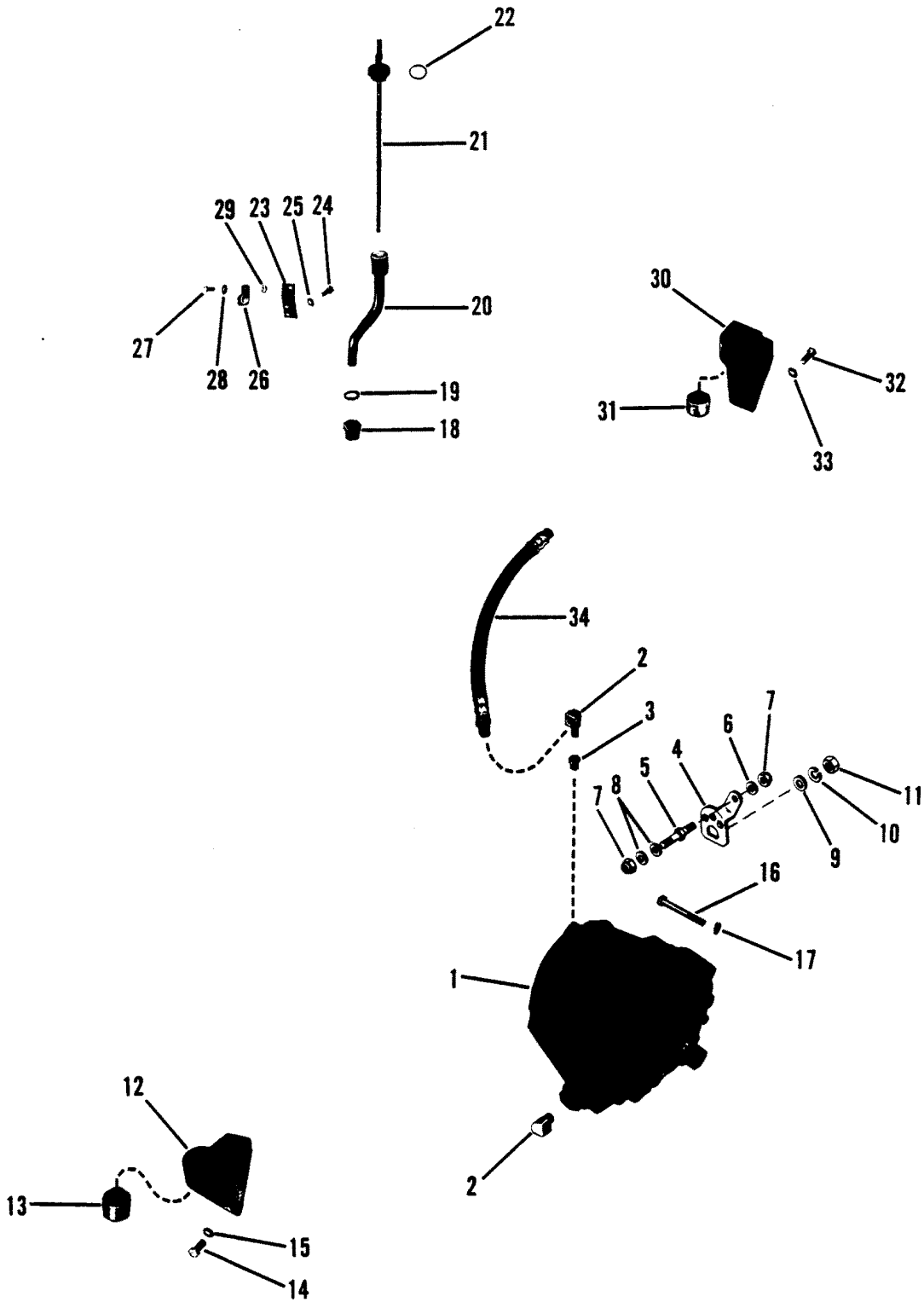
FLYWHEEL HOUSING



FLYWHEEL HOUSING

REF. NO.	PART NO.	SYM.	QTY.	DESCRIPTION
1	44187--1		1	HOUSING, FLYWHEEL
2	19-12304		1	PLUG, TIMING WINDOW
3	10-37612		3	SCREW, FLYWHEEL HOUSING
	10-47688		2	SCREW, FLYWHEEL HOUSING
4	13-35048		7	LOCKWASHER, FLYWHEEL HOUSING SCREW AND STUD
5	12-20553		5	WASHER, FLYWHEEL HOUSING SCREW
	12-20572		1	WASHER, FLYWHEEL HOUSING SCREW (FOR SLOT)
6	54-62494		1	CLAMP, FLYWHEEL HOUSING SCREW
7	16-64066		2	STUD, FLYWHEEL HOUSING (2-1/4")
8	11-32219		2	NUT, FLYWHEEL HOUSING STUD
9	84-62826A7		1	WIRE ASSEMBLY, GROUND
10	17917		1	BRACKET, SHIFT
11	10-28668		2	SCREW, SHIFT BRACKET
12	11-20586		1	NUT, SHIFT STUD
13	12-39143		1	WASHER, SHIFT STUD
14	23-53811		2	SPACER, SHIFT STUD
15	16-63335		1	STUD, SHIFT
16	12-21631		2	WASHER, SHIFT STUD
17	23-31866		1	SPACER, SHIFT STUD
18	11-20361		1	NUT, SHIFT STUD

TRANSMISSION (DRIVE LINE)



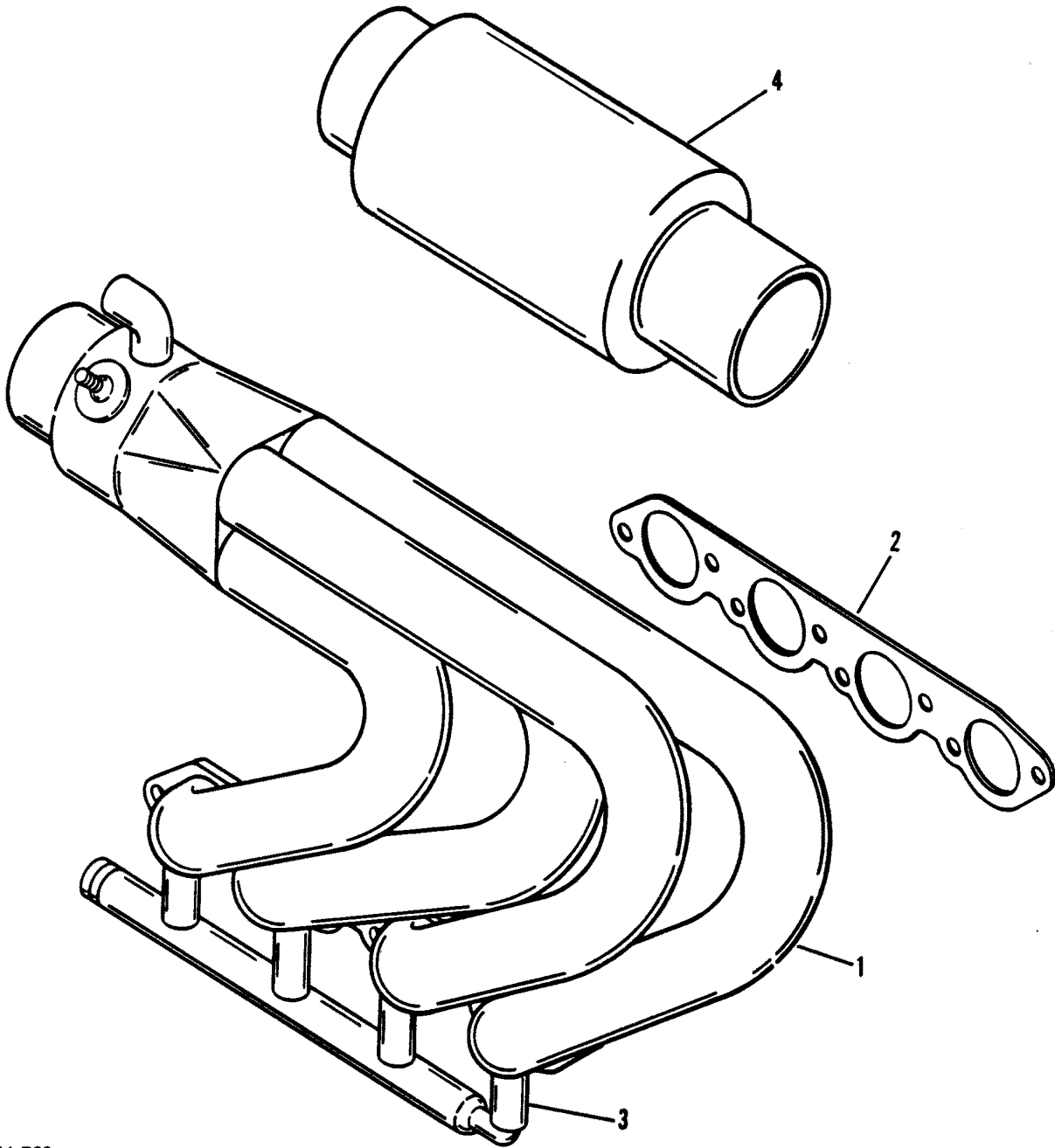
TRANSMISSION (DRIVE LINE)

REF. NO.	PART NO.	SYM.	QTY.	DESCRIPTION
1	14750A1		1	TRANSMISSION ASSEMBLY
2	22-47629		2	ELBOW, TRANSMISSION TO OIL HOSE
3	22-88517		1	BUSHING, REDUCING - TRANSMISSION ELBOW
4	12128		1	LEVER, SHIFT - TRANSMISSION
5	16-63335		1	STUD, SHIFT LEVER
6	12-39143		1	WASHER, SHIFT LEVER STUD
7	11-20361		2	NUT, SHIFT LEVER STUD
8	12-29245		2	WASHER, SHIFT LEVER STUD
9	12-20722		1	WASHER, TRANSMISSION LEVER STUD
10	13-26993		1	LOCKWASHER, TRANSMISSION LEVER STUD
11	11-22053		1	NUT, TRANSMISSION LEVER STUD
12	47334A2		1	BRACKET ASSEMBLY, TRANSMISSION MOUNT (STARBOARD)
13	35852		1	MOUNT, TRANSMISSION MOUNT BRACKET
14	10-47462		2	SCREW, MOUNT BRACKET TO TRANSMISSION (1-1/4")
15	13-32993		2	LOCKWASHER, MOUNT BRACKET SCREW
16	10-60179		6	SCREW, TRANSMISSION TO ENGINE (3-1/2")
17	13-32993		6	LOCKWASHER, TRANSMISSION SCREW
18	48461		1	ADAPTOR, OIL LEVEL GAUGE TUBE TO TRANSMISSION
19	25-48462		1	"O" RING, OIL LEVEL TUBE ADAPTOR
20	48463		1	TUBE, OIL LEVEL GAUGE
21	48464		1	GAUGE, OIL LEVEL
22	25-35276		1	"O" RING, OIL LEVEL GAUGE
23	48466		1	BRACKET, MOUNTING - OIL LEVEL GAUGE TUBE
24	10-32417		2	SCREW, MOUNTING BRACKET TO TRANSMISSION MOUNT BRACKET (5/8")
25	13-26992		2	LOCKWASHER, MOUNTING BRACKET SCREW
26	54-67015		1	CLAMP, OIL LEVEL GAUGE TUBE TO MOUNTING BRACKET
27	10-60300		1	SCREW, OIL LEVEL GAUGE TUBE CLAMP
28	12-29245		2	WASHER, OIL LEVEL GAUGE TUBE CLAMP SCREW
29	11-20361		1	NUT, OIL LEVEL GAUGE TUBE CLAMP SCREW
30	47340A1		1	BRACKET ASSEMBLY, TRANSMISSION MOUNT (PORT)
31	35852		1	MOUNT, TRANSMISSION MOUNT BRACKET
32	10-47462		2	SCREW, MOUNT BRACKET TO TRANSMISSION (1-1/4")
33	13-32993		2	LOCKWASHER, MOUNT BRACKET SCREW
34	32-47516--6		2	HOSE, TRANSMISSION TO OIL COOLER (30")

DRIVE SHAFT AND TAILSTOCK (DRIVE LINE)

REF. NO.	PART NO.	SYM.	QTY.	DESCRIPTION
1	45-86978A1		1	DRIVE SHAFT ASSEMBLY (37")
	45-53967A1		1	DRIVE SHAFT ASSEMBLY (43")
2	61218		1	FLANGE, DRIVE SHAFT
3	61221		2	CROSS AND BEARING
4	22-74036		2	GREASE FITTING
5	96276A2		1	YOKE ASSEMBLY
6	61218		1	FLANGE, YOKE
7	10-68743		4	SCREW
8	13-47659		4	LOCKWASHER
9	11-34933		4	NUT
10	52505A1		1	DRIVE SHAFT EXTENSION
11	19-47463		1	PLUG
12	23-47471		1	BEARING
13	10-60106		4	SCREW
14	12-45176		4	WASHER
15	55434A2		1	DRIVE SHAFT EXTENSION HOUSING
16	26-52499		1	OIL SEAL
17	22-36382		1	PIPE PLUG (1/4")
18	22-32802		1	PIPE PLUG (1/8")
19	22-47902		1	FITTING
20	15-49264A1		1	SHIM SET
21	30-47470		1	BALL BEARING
22	53-52502		1	SNAP RING
23	27-52501		1	GASKET, BEARING SUPPORT HOUSING
24	52506A1		1	BEARING SUPPORT HOUSING
25	31-47468		1	NEEDLE BEARING
26	26-47465		1	OIL SEAL
27	53-52507		1	RING, SUPPORT
28	53-52503		1	SNAP RING
29	24-47755		1	SPRING
30	10-32695		4	SCREW
	10-56393		2	SCREW
	10-32515		2	SCREW
31	12-22248		8	WASHER
32	11-35053		8	NUT

EXHAUST MANIFOLD



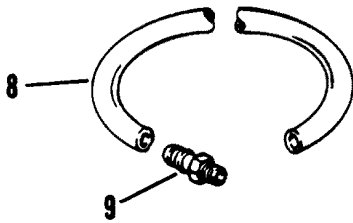
M0044-P22

EXHAUST MANIFOLD

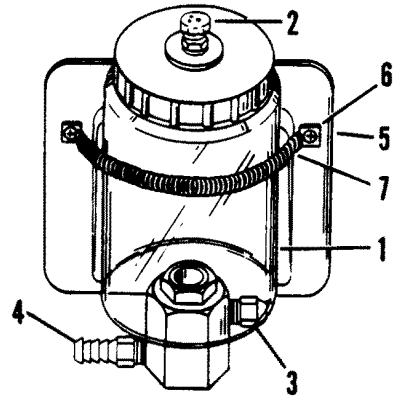
REF. NO.	PART NO.	SYM.	QTY.	DESCRIPTION
1	12493--3		1	EXHAUST MANIFOLD (PORT) GREEN
	12493--4		1	EXHAUST MANIFOLD (STARBOARD) GREEN
	12493-10		OPT.	EXHAUST MANIFOLD (PORT) LIGHT GREEN
	12493-11		OPT.	EXHAUST MANIFOLD (STARBOARD) LIGHT GREEN
	12493-20		OPT.	EXHAUST MANIFOLD (PORT) ORANGE/GREEN
	12493-21		OPT.	EXHAUST MANIFOLD (STARBOARD) ORANGE/GREEN
2	27-69287	■	1	GASKET, EXHAUST MANIFOLD
3	32-12879		8	HOSE, WATER
4	42-813109--1		2	MUFFLER

■ = PART OF GASKET SET, COMPLETE [27-13217A1]

RESERVOIR BOTTLE



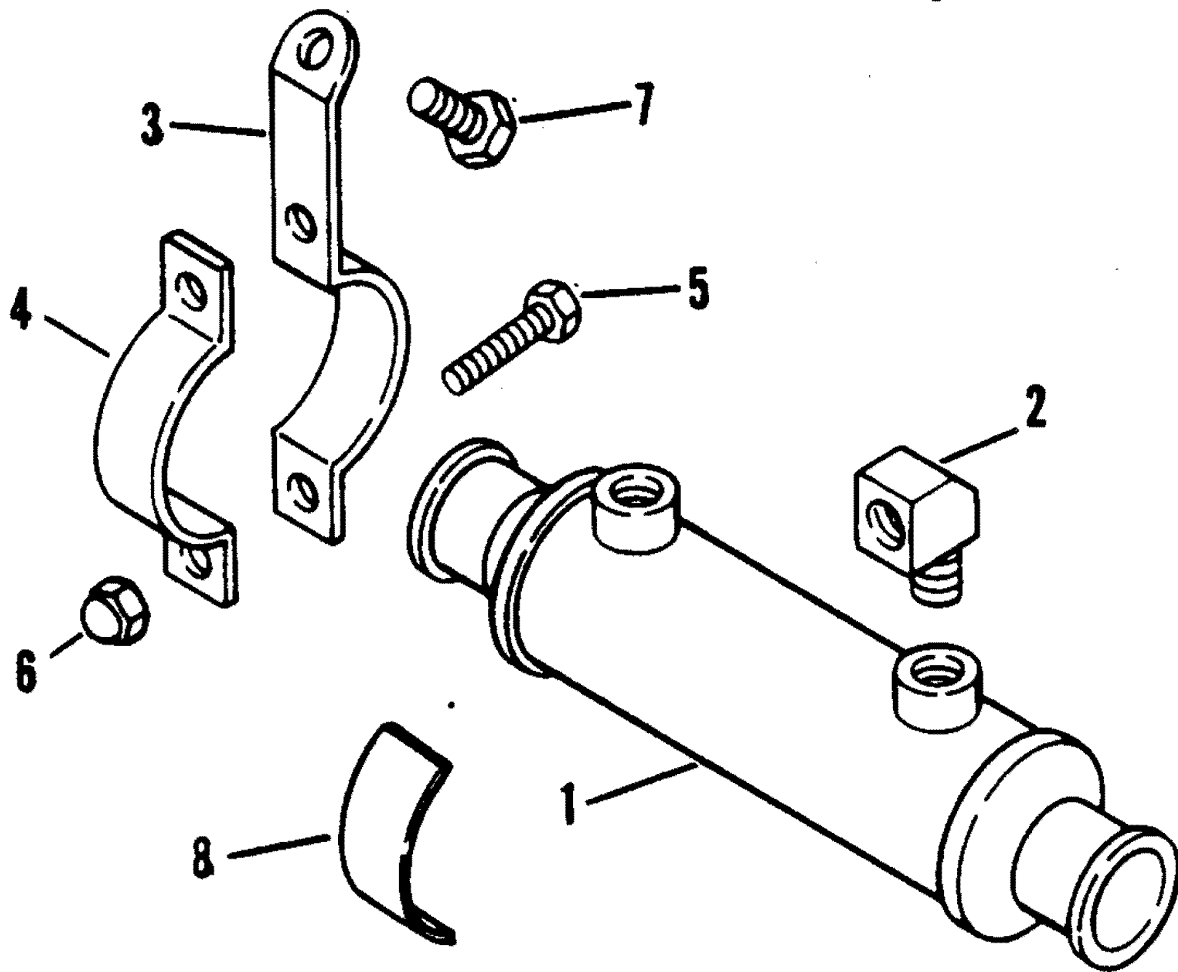
M0045-P22



RESERVOIR BOTTLE

REF. NO.	PART NO.	SYM.	QTY.	DESCRIPTION
1	86250A2		1	BOTTLE ASSEMBLY
2	22-47902		1	VENT, BOTTLE CAP
3	22-36382		1	CONNECTOR, BARBED
4	22-63187		1	CONNECTOR
5	86030		1	BRACKET, RESERVOIR
6	67905		2	RETAINER, RESERVOIR SPRING
7	24-67908		1	SPRING, RESERVOIR BRACKET
8	32-14896-70		1	HOSE, BULK
9	22-63186		1	CONNECTOR

OIL COOLER (TRANSMISSION)



OIL COOLER (TRANSMISSION)

REF. NO.	PART NO.	SYM.	QTY.	DESCRIPTION
1	63832A1		1	OIL COOLER, TRANSMISSION
2	22-63835		2	ELBOW, OIL COOLER
3	63820--4		1	BRACKET, OIL COOLER (LONG)
4	56328A1		1	BRACKET, OIL COOLER (SHORT)
5	10-60300		2	SCREW, OIL COOLER BRACKET
6	11-30506		2	NUT, OIL COOLER BRACKET SCREW
7	10-35765		1	SCREW, OIL COOLER BRACKET TO ENGINE
8	18068		1	PAD, OIL COOLER

PARTS INDEX

Part Number	Description	Pg.	Ref. No.	Part Number	Description	Pg.	Ref. No.
12128	LEVER, SHIFT - TRANSMISSION	43	40	32720	ADAPTOR	35	12
12128	LEVER, SHIFT - TRANSMISSION	53	4	32720	ADAPTOR	35	6
12375--1	FLAME ARRESTOR	17	33	32783	RETAINER, HIGH TENSION LEADS (3 WIRE)	15	28
12376	INTAKE MANIFOLD	31	1	32784	RETAINER, HIGH TENSION LEADS (4 WIRE)	15	29
12377A2	CARBURETOR	17	10	33270	BRUSH, FIELD FRAME	11	21
12475	CAMSHAFT	27	10	33283	HOLDER, FIELD FRAME BRUSH GROUND	11	20
12492	CRANKSHAFT	29	7	33284	HOLDER, INSULTATED - FIELD FRAME BRUSH	11	19
12493--3	EXHAUST MANIFOLD (PORT)	57	1	33291	COLLAR, PINION STOP	11	5
12493--4	EXHAUST MANIFOLD (STARBOARD)	57	1	33292	COLLAR, THRUST	11	3
12493-10	EXHAUST MANIFOLD (PORT)	57	1	33294	SUPPORT PACKAGE	11	23
12493-11	EXHAUST MANIFOLD (STARBOARD)	57	1	33297	LEVER, SHIFT	11	26
12493-20	EXHAUST MANIFOLD (PORT)	57	1	33317	PLUNGER, SHIFT LEVER	11	30
12493-21	EXHAUST MANIFOLD (STARBOARD)	57	1	35377	ROD, FUEL PUMP	17	6
12809	LIFTER	27	9	35852	MOUNT, TRANSMISSION MOUNT BRACKET	43	27
12820	BRACKET, OIL COOLER (LONG)	35	26	35852	MOUNT, TRANSMISSION MOUNT BRACKET	45	49
12849--2	BRACKET, THROTTLE	17	19	35852	MOUNT, TRANSMISSION MOUNT BRACKET	53	13
13024	VALVE, EXHAUST (STANDARD)	25	12	35852	MOUNT, TRANSMISSION MOUNT BRACKET	53	31
13037	SOLENOID SWITCH (4-1/4" LONG)	11	34	37293	OIL PRESSURE SENDER (DUAL)	13	13
13497A3	DISTRIBUTOR ASSEMBLY	15	1	38559	SWITCH, PRESSURE	49	5
13524A3	ROTOR	15	5	41450	PULLEY, HARMONIC BALANCER	31	20
13559	GUIDE, PUSH ROD	25	14	42112A17	CYLINDER BLOCK ASSEMBLY	27	1
13611	OIL TEMPERATURE SENDER	13	10	42839	BUSHING, CONNECTING ROD	29	5
13728--1	PULLEY, WATER PUMP	31	16	42862	SENSOR WHEEL	15	6
14037	BRACKET, MOUNTING	13	5	44187--1	HOUSING, FLYWHEEL	51	1
14368	RETAINER, VALVE SPRING	25	26	47333A1	HOUSING ASSEMBLY, BEARING SUPPORT	43	11
14459	PULLEY, POWER STEERING PUMP	37	4	47334A2	BRACKET ASSEMBLY, TRANSMISSION MOUNT	45	48
14674	BRACE, PUMP MOUNTING	37	7	47334A2	BRACKET ASSEMBLY, TRANSMISSION MOUNT	53	12
14729--1	ARM, VALVE ROCKER	25	19	47339A4	ENGINE COUPLING ASSEMBLY, TRANSMISSION	43	5
14746A1	TRANSMISSION ASSEMBLY	43	1	47340A1	BRACKET ASSEMBLY, TRANSMISSION MOUNT	43	26
14750A1	TRANSMISSION ASSEMBLY	53	1	47340A1	BRACKET ASSEMBLY, TRANSMISSION MOUNT	53	30
14824	BRACKET	37	27	47441A1	COVER, THERMOSTAT	21	9
14902	BREATHER, ROCKER COVER	25	5	47487A2	BRACKET, ALTERNATOR	5	21
15017	THROTTLE BRACKET	17	21	47489A2	BRACKET ASSEMBLY, WATER PUMP	23	26
16457A4	CAP, DISTRIBUTOR	15	2	47530	HUB, WATER PUMP PULLEY	23	20
16792A1	PUMP ASSEMBLY, POWER STEERING	37	1	47552A5	OIL PAN	33	8
17316A1	IGNITION AMPLIFIER (W/HARNESS 84-15275A1)	13	17	48461	ADAPTOR, OIL LEVEL GAUGE TUBE	53	18
17670	WATER PUMP	31	12	48461	ADAPTOR, OIL LEVEL GAUGE TUBE	43	18
17799	SPIRO LOX, PISTON	29	2	48463	TUBE, OIL LEVEL GAUGE	43	20
17802A1	PISTON & PIN (STANDARD)	29	1				
17803A1	PISTON & PIN (.030 O.S.)	29	1				
17917	BRACKET, SHIFT	51	10				
18068	PAD, OIL COOLER	35	34				
18068	PAD, OIL COOLER	61	8				

PARTS INDEX

Part Number	Description	Pg.	Ref. No.	Part Number	Description	Pg.	Ref. No.
48463	TUBE, OIL LEVEL GAUGE ..	53	20	65970	BRACKET	37	30
48464	GAUGE, OIL	43	21	66215	COVER, CRANKCASE	31	27
48464	GAUGE, OIL LEVEL	53	21	67905	RETAINER, RESERVOIR		
48466	BRACKET, MOUNTING - OIL				SPRING	59	6
	LEVEL GAUGE TUBE	43	23	68606	ARMATURE	11	11
48466	BRACKET, MOUNTING - OIL			68608	DRIVE ASSEMBLY, CLUTCH	11	6
	LEVEL GAUGE TUBE	53	23	68878A6	HORN	49	9
48504A2	ADAPTOR, OIL FILTER	35	1	69355	STA-STRAP, VENT HOSE ..	17	37
48952	SWITCH, WATER			70886--2	OIL COOLER, ENGINE	35	20
	TEMPERATURE	49	1	72514	FRONT MOUNT PORT		
49149	SHAFT, OIL PUMP TO				ENGINE	39	-
	DISTRIBUTOR	33	3	72515	FRONT MOUNT		
49198	BAFFLE, OIL PAN	33	4		STARBOARD ENGINE ...	39	-
49734A1	WATER TEMPERATURE			72605--1	BALANCER, HARMONIC -		
	SENDER (DUAL)	13	12		CRANKSHAFT	31	19
49863	FRONT MOUNT	39	-	74816	DRIVE PLATE	29	16
49864	REAR MOUNT	39	-	77294	BRACKET, IGNITION COIL .	15	31
49865--1	FRONT MOUNT	41	-	77531	CHAIN AND TIMING GEAR		
49866--1	REAR MOUNT	41	-		KIT	27	11
49866--1	REAR MOUNT	41	-	77679	ROCKER COVER	25	1
52185	CLAMP, DISTRIBUTOR TO			79206	HOUSING, DRIVE END	11	1
	INTAKE MANIFOLD	15	16	79211	FRAME, COMMUTATOR END		
52505A1	DRIVE SHAFT EXTENSION .	55	10		- LOWER	11	17
52506A1	BEARING SUPPORT			79396	PLATE, BEARING	11	7
	HOUSING	55	24	79988A1	CLEVIS, ROD END	47	24
52779A2	VALVE, STEERING (25-			813961	HOUSING, FRONT	9	6
	58226A1 SEAL REPAIR			813962	ROTOR	9	10
	KIT)	47	3	813963	STATOR	9	12
54635	ADAPTOR PLATE (FRONT) .	31	8	813964	HOUSING, REAR	9	14
54636	ADAPTOR PLATE (REAR) ..	31	7	813965	DIODE FIELD	9	17
54637	ADAPTOR PLATE (SIDE) ...	31	6	813966	DIODE BRIDGE	9	16
54676	RETAINER, HIGH TENSION			813967	STRAP (D+)	9	34
	LEADS (2 WIRE)	15	27	813968	BRUSH ASSEMBLY	9	33
55110	ADAPTOR, CABLE GUIDE			813969	SPACER	9	5
	TUBE (DUAL)	47	9	813971	COVER	9	22
55434A2	DRIVE SHAFT EXTENSION			813972	CAPACITOR	9	25
	HOUSING	55	15	813973	STRAP	9	20
56328A1	BRACKET, OIL COOLER			813974	VOLTAGE REGULATOR ...	9	29
	(SHORT)	35	27	814441	BALANCER BOLT KIT	31	21
56328A1	BRACKET, OIL COOLER			85013	BRACE, ALTERNATOR		
	(SHORT)	61	4		ADJUSTING	5	13
57436	BRACKET, PUMP			85618T	CYLINDER (25-58224A1		
	MOUNTING	37	16		SEAL REPAIR KIT)	47	1
57908-11	TUBING, ALTERNATOR			86030	BRACKET, RESERVOIR ...	59	5
	LEADS	5	19	86045	TIMER, TEMPERATURE		
59137	THERMOSTAT (143				BUZZER	49	8
	DEGREES)	21	5	86047A11	BUZZER HOUSING		
59501A1	SHAFT, WATER PUMP	23	17		ASSEMBLY	49	7
59762T	PULLEY, WATER PUMP ...	23	21	86250A2	BOTTLE ASSEMBLY	59	1
59966	POINTER, TIMING	31	32	86890A2	TUBE, OIL LEVEL GAUGE ..	33	15
61218	FLANGE, DRIVE SHAFT ...	55	2	87290A4	THERMOSTAT HOUSING		
61218	FLANGE, YOKE	55	6		ASSEMBLY	21	1
61221	CROSS AND BEARING	55	3	87353A2	GAUGE, OIL LEVEL		
63820--4	BRACKET, OIL COOLER				(DIPSTICK)	33	19
	(LONG)	61	3	87631A1	COVER, WATER PUMP	23	3
63832A1	OIL COOLER	37	23	88665--1	FRONT MOUNT	41	-
63832A1	OIL COOLER,			90783A22	ADAPTOR ASSEMBLY, OIL		
	TRANSMISSION	61	1		FILTER	35	11
63880T	BRACKET, OIL FILTER	35	5	90806	OIL PRESSURE SENDER ..	13	13
64177	BRACE, WATER PUMP	23	34	91830	COVER, ADAPTOR	35	13

PARTS INDEX

Part Number	Description	Pg.	Ref. No.	Part Number	Description	Pg.	Ref. No.
92497A3	ALTERNATOR	5	8	10-32695	SCREW	55	30
92497A3	ALTERNATOR ASSEMBLY (55 AMP)	7	-	10-34353	SCREW, ADAPTOR TO BRACKET	35	2
92497A3	ALTERNATOR ASSEMBLY (55 AMP)	9	-	10-34353	SCREW, ALTERNATOR BRACKET (1")	5	22
92864	FUEL PUMP	17	1	10-34353	SCREW, DISTRIBUTOR CLAMP (1")	15	17
93520	COLLAR, CLAMPING	47	20	10-34353	SCREW, OIL COOLER BRACKET TO ENGINE	35	30
93936	PULLEY	9	3	10-34353	SCREW, WATER PUMP BRACKET (1-1/2")	23	31
93936	PULLEY, DRIVE END FRAME	7	3	10-34354	BOLT, CAMSHAFT SPROCKET (3/4")	27	12
94576	WEAR PLATE, INNER	23	12	10-34505	SCREW, USE WITH METAL PLATE	13	4
94916	WEAR PLATE, OUTER	23	7	10-35091	SCREW, DRIVE PLATE	29	17
95820	STUD, VALVE ROCKER ARM	25	22	10-35765	SCREW, OIL COOLER BRACKET TO ENGINE	61	7
96023	ROD, VALVE PUSH (INLET)	25	11	10-35786	SCREW, WATER PUMP BRACE (1")	23	38
96024	ROD, VALVE PUSH (EXHAUST)	25	11	10-35787	BOLT, INTAKE MANIFOLD	31	2
96028	KEY, VALVE STEM (INCLUDES 32 KEYS)	25	18	10-37269	BOLT, BRACKET TO BLOCK (7/16" X 2")	37	20
96276A2	YOKE ASSEMBLY	55	5	10-37612	SCREW, BRACKET	13	6
97257A1	WATER TEMPERATURE SENDER	13	12	10-37612	SCREW, BRACKET TO ENGINE	35	9
98337A2	OIL PUMP	33	1	10-37612	SCREW, FLYWHEEL HOUSING	51	3
98678--1	VALVE, INLET (STANDARD)	25	13	10-37612	SCREW, FUEL PUMP (1-1/4")	17	2
N.S.S.	BOLT, THRU	11	18	10-40062171	SCREW, PUMP MOUNTING BRACE	37	8
N.S.S.	BRACKET, MOUNTING - TRANSOM PLATE	47	17	10-41408	SCREW	37	31
N.S.S.	FIELD COIL ASSEMBLY	11	15	10-41408	SCREW, BRACKET (1-1/2")	15	32
N.S.S.	GROMMET, FIELD COIL	11	14	10-45862	SCREW, CIRCUIT BREAKER (7/8")	13	29
N.S.S.	PIN, DOWEL - FIELD FRAME	11	25	10-47277	SCREW, PULLEY (3/4")	23	22
N.S.S.	SCREW, BRUSH LEAD	11	22	10-47277	SCREW, PULLEY TO WATER PUMP (3/4")	31	17
N.S.S.	SCREW, BRUSH LEAD	11	22	10-47461	SCREW, ALTERNATOR BRACE (1")	5	14
N.S.S.	SCREW, MOUNTING BRACKET TO COLLAR (2")	47	21	10-47461	SCREW, STARTER MOTOR	5	2
N.S.S.	SCREW, POLE SHOE TO FIELD COIL	11	13	10-47462	SCREW, BEARING SUPPORT HOUSING TO	43	16
N.S.S.	SCREW, SOLENOID SWITCH	11	33	10-47462	SCREW, BRACE TO ENGINE (1")	23	35
N.S.S.	SHOE, POLE - FIELD COIL	11	12	10-47462	SCREW, BRACKET TO ENGINE	35	9
N.S.S.	STUD, SHIFT LEVER	11	27	10-47462	SCREW, MOUNT BRACKET TO TRANSMISSION (1-1/4")	53	14
N.S.S.	WASHER, LEATHER	11	16	10-47462	SCREW, MOUNT BRACKET TO TRANSMISSION	43	28
10-11252	SCREW, SENSOR WHEEL	15	7	10-47462	SCREW, MOUNT BRACKET TO TRANSMISSION	45	50
10-15001	SCREW, USE WITH PLASTIC PLATE	13	4	10-47462	SCREW, MOUNT BRACKET TO TRANSMISSION	53	32
10-28635	SCREW, CRANKCASE COVER TO BLOCK (7/16")	31	30	10-47467	SCREW, WATER PUMP BRACKET (1")	23	27
10-28668	SCREW, SHIFT BRACKET	51	11	10-47467	SCREW, TAILSTOCK TO INNER TRANSOM PLATE	43	30
10-29198	BOLT (5/16" X 7/8")	37	17				
10-29198	SCREW, ALTERNATOR BRACE (7/8")	5	17				
10-31832	SCREW, MOUNTING BRACKET TO TRANSOM PLATE	47	18				
10-32132	SCREW, WATER PUMP TO CYLINDER BLOCK (1-3/4")	31	14				
10-32417	SCREW, MOUNTING BRACKET TO TRANSMISSION	53	24				
10-32417	SCREW, MOUNTING BRACKET TO TRANSMISSION MOUNT BRACKET	43	24				
10-32515	SCREW	55	30				

PARTS INDEX

Part Number	Description	Pg.	Ref. No.	Part Number	Description	Pg.	Ref. No.
10-48308	SCREW, ALTERNATOR (3-3/4")	5	24	10-91967	SCREW, OIL FILTER ADAPTOR (3-1/4")	35	14
10-48948	SCREW, WATER PUMP BRACKET (7/8")	23	28	10-94207	BOLT, PULLEY	31	24
10-49105	BOLT, CYLINDER HEAD (4-1/8")	25	25	10-98253	SCREW, STARTER SOLENOID	13	22
10-49106	BOLT, CYLINDER HEAD (2")	25	24	10-98261	SCREW	37	32
10-49845	SCREW, FLYWHEEL TO CRANKSHAFT	29	15	11-14985	NUT, VALVE ROCKER ARM	25	20
10-55714	SCREW, OIL PAN (5/16-18 X 7/8")	33	11	11-20361	NUT, OIL LEVEL GAUGE TUBE CLAMP SCREW	53	29
10-55715	SCREW, OIL PAN (1/4-20 X 7/8")	33	13	11-20361	NUT, ROCKER COVER STUD	25	9
10-56393	SCREW	55	30	11-20361	NUT, SHIFT LEVER STUD	43	43
10-60106	SCREW	55	13	11-20361	NUT, SHIFT LEVER STUD	53	7
10-60179	SCREW, TRANSMISSION TO ENGINE (3-1/2")	43	38	11-20361	NUT, SHIFT STUD	51	18
10-60179	SCREW, TRANSMISSION TO ENGINE (3-1/2")	53	16	11-20586	NUT, CABLE STUD	17	28
10-60300	SCREW, OIL COOLER BRACKET	61	5	11-20586	NUT, SHIFT STUD	51	12
10-60300	SCREW, OIL COOLER BRACKET (3/4")	35	28	11-20586	NUT, THROTTLE CABLE STUD (1/4-28)	17	39
10-60300	SCREW, OIL LEVEL GAUGE TUBE CLAMP	53	27	11-21825	NUT, THROTTLE CABLE STUD (1/4-28)	19	40
10-60410	SCREW, THERMOSTAT HOUSING TO INTAKE	21	10	11-22053	NUT, TRAMSISSION LEVER STUD	53	11
10-64900	BOLT (3/8" X 2")	37	20	11-22053	NUT, TRANSMISSION LEVER STUD	45	47
10-64900	BOLT, INTAKE MANIFOLD	31	2	11-22339	NUT, TAILSTOCK SCREWS	43	35
10-64900	SCREW, ALTERNATOR BRACKET (2")	5	22	11-23161	NUT, ALTERNATOR BRACKET SCREW	5	20
10-66686	SCREW, SENSOR	15	9	11-24883	NUT, BRACE SCREW	23	40
10-67462	SCREW, ROD END CLEVIS TO STEERING ARM	47	25	11-26419	NUT, STARTER SOLENOID TERMINAL (10-32)	13	25
10-68101	SCREW	37	28	11-26419	NUT, STARTER TERMINAL	5	7
10-68101	SCREW, CLAMPING (1-1/4")	47	6	11-26484	NUT, SHIFT LEVER STUD	11	29
10-68743	SCREW	55	7	11-28040	NUT, VALVE ADAPTOR STUD	47	34
10-69013	SCREW, HORN ATTACHING	49	10	11-30506	NUT, OIL COOLER BRACKET SCREW	35	29
10-71405	SCREW, INSULATOR (7/16")	13	30	11-30506	NUT, OIL COOLER BRACKET SCREW	61	6
10-72202	SCREW, CABLE	15	13	11-30968	NUT, ALTERNATOR TERMINAL (10-24)	5	10
10-73275	SCREW, WATER PUMP (2-7/8")	23	4	11-32219	NUT, FLYWHEEL HOUSING STUD	51	8
10-76630	SCREW, IGNITION AMPLIFIER	13	18	11-34933	NUT	55	9
10-78291	SCREW, THROTTLE BRACKET	17	22	11-35053	NUT	55	32
10-79209	SCREW, BEARING PLATE THRU BOLT	9	15	11-35814	NUT, CARBURETOR STUD	17	31
10-813975	SCREW	9	8	11-35814	NUT, FLAME ARRESTOR STUD	17	35
10-813978	SCREW	9	27	11-37500	NUT, OIL PAN BAFFLE/OIL PUMP STUD	33	7
10-813979	SCREW	9	32	11-37984	NUT, CABLE GUIDE TUBE	47	14
10-813980	SCREW	9	18	11-40021--1	NUT, STARTER TERMINAL	5	7
10-813981	SCREW	9	26	11-40026--6	NUT, STARTER TERMINAL (10MM)	5	4
10-813982	SCREW	9	28	11-45076	NUT, PRESSURE SWITCH TERMINAL (10-32)	49	6
10-813983	SCREW	39	-	11-45076	NUT, TEMPERATURE SWITCH (10-32)	49	3
10-86518	SCREW	41	-	11-46438	NUT, INSULATOR SCREW	13	32
10-86518	SCREW	15	35	11-47626	NUT, OIL LEVEL GAUGE TUBE	33	16
10-86750	SCREW, IGNITION COIL (3/4")	15	3				
10-90926	SCREW, DISTRIBUTOR CAP	15	3				

PARTS INDEX

Part Number	Description	Pg.	Ref. No.	Part Number	Description	Pg.	Ref. No.
11-53300	NUT, BOOSTER CYLINDER SHAFT	47	30	12-21631	WASHER, CABLE STUD	17	26
11-55111	NUT, DUAL ADAPTOR TO POWER STEERING VALVE	47	11	12-21631	WASHER, SHIFT STUD	51	16
11-56374	NUT, THROTTLE CABLE STUD (1/4-20)	19	43	12-22248	FLATWASHER (7/16")	37	22
11-64015	NUT, ALTERNATOR TERMINAL (1/4-20)	5	12	12-22248	WASHER	55	31
11-68219	NUT, CABLE SCREW	15	14	12-22753	WASHER, FLAME ARRESTOR STUD	17	34
11-68219	NUT, CIRCUIT BREAKER TERMINAL	13	28	12-25909	WASHER, OIL PAN BAFFLE/OIL PUMP STUD	33	6
11-68219	NUT, DISTRIBUTOR TERMINAL (10-32)	15	22	12-25970	WASHER, ALTERNATOR BRACKET SCREW	5	25
11-68219	NUT, IGNITION COIL TERMINAL (#10-32)	15	34	12-26168	FLATWASHER (5/16")	37	18
11-68219	NUT, SENDER TERMINAL (#10)	13	15	12-26168	WASHER, ALTERNATOR BRACE SCREW	5	18
11-69254	NUT, MOUNTING BRACKET SCREW	47	23	12-27025	WASHER, ALTERNATOR BRACE SCREW	5	16
11-79989	NUT, THROTTLE BRACKET SCREW	17	24	12-27025	WASHER, BRACKET SCREW	23	30
11-813976	NUT	9	19	12-29245	WASHER, OIL LEVEL GAUGE TUBE CLAMP SCREW	53	28
11-813977	NUT	9	31	12-29245	WASHER, SHIFT LEVER STUD	45	44
11-86226	NUT, STARTER TERMINAL (3/8-16)	5	4	12-29245	WASHER, SHIFT LEVER STUD	53	8
11-90517	NUT, MOUNTING STUD	37	6	12-29245	WASHER, THROTTLE CABLE STUD	19	41
11-94330	NUT, STARTER SOLENOID TERMINAL (1/4-20)	13	24	12-29330	WASHER, WATER PUMP SCREW (FOR SLOT)	23	33
12-20028	WASHER, OIL PAN SCREW	33	14	12-30164	WASHER, DISTRIBUTOR TERMINAL	15	23
12-20084	WASHER, CARBURETOR STUD	17	30	12-30315	WASHER, BRACE SCREW	23	37
12-20084	WASHER, COVER SCREW	23	5	12-33171	WASHER, TAILSTOCK SCREWS	43	34
12-20084	WASHER, IGNITION COIL SCREW	15	37	12-34567	WASHER, PUMP STUD (BRACE SLOT)	37	5
12-20086	WASHER, BOOSTER CYLINDER SHAFT	47	2	12-37985	WASHER, CABLE GUIDE TUBE	47	13
12-20086	WASHER, MOUNTING BRACKET SCREW	47	22	12-39143	WASHER, ROCKER COVER STUD	25	8
12-20546	WASHER, OIL PAN SCREW	33	12	12-39143	WASHER, SHIFT LEVER STUD	43	42
12-20553	FLATWASHER (3/8")	37	22	12-39143	WASHER, SHIFT LEVER STUD	53	6
12-20553	WASHER	37	34	12-39143	WASHER, SHIFT STUD	51	13
12-20553	WASHER	39	-	12-39167	WASHER, CAMSHAFT SPROCKET SCREW	27	13
12-20553	WASHER	41	-	12-39167	WASHER, CARBURETOR STUD	17	30
12-20553	WASHER, CLAMP SCREW	15	19	12-45175	WASHER, INTAKE MANIFOLD SCREW	31	3
12-20553	WASHER, FLYWHEEL HOUSING SCREW	51	5	12-45176	WASHER	55	14
12-20553	WASHER, OIL COOLER BRACKET SCREW	35	31	12-45176	WASHER, CYLINDER HEAD BOLT	25	27
12-20553	WASHER, OIL FILTER ADAPTOR SCREW	35	4	12-46132	WASHER	37	29
12-20553	WASHER, THERMOSTAT HOUSING SCREW	21	11	12-47393	WASHER, PULLEY BOLT	31	25
12-20572	WASHER, FLYWHEEL HOUSING SCREW	51	5	12-47466	WASHER, TAILSTOCK SCREWS (NEPORENE)	43	31
12-20722	WASHER, TRANSMISSION LEVER STUD	45	45	12-47475	WASHER, TAILSTOCK SCREWS	43	32
12-20722	WASHER, TRANSMISSION LEVER STUD	53	9	12-56681	WASHER, CIRCUIT BREAKER SCREW	13	31
12-20959	WASHER, VALVE ADAPTOR STUD	47	33				

PARTS INDEX

Part Number	Description	Pg.	Ref. No.	Part Number	Description	Pg.	Ref. No.
12-68614	WASHER, BEARING PLATE	11	9	13-32993	LOCKWASHER, MOUNT		
12-68615	WASHER, SHIFT LEVER			13-32993	BRACKET SCREW	43	29
	STUD	11	28	13-32993	LOCKWASHER, MOUNT		
12-813984	WASHER	9	23	13-32993	BRACKET SCREW	45	51
12-813985	WASHER	9	30	13-32993	LOCKWASHER, MOUNT		
13-21272	LOCKWASHER,			13-32993	BRACKET SCREW	53	15
	ALTERNATOR TERMINAL	5	11	13-32993	LOCKWASHER, MOUNT		
13-26992	LOCKWASHER, COVER			13-32993	BRACKET SCREW	53	33
	SCREW	31	31	13-32993	LOCKWASHER, STARTER		
13-26992	LOCKWASHER, IGNITION			13-32993	MOTOR SCREW	5	3
	AMPLIFIER SCREW	13	19	13-32993	LOCKWASHER,		
13-26992	LOCKWASHER, MOUNTING			13-32993	TRANSMISSION SCREW	43	39
	BRACKET SCREW	43	25	13-32993	LOCKWASHER,		
13-26992	LOCKWASHER, MOUNTING			13-34846	TRANSMISSION SCREW	53	17
	BRACKET SCREW	53	25	13-35048	LOCKWASHER, TAILSTOCK		
13-26992	LOCKWASHER, STARTER			13-35048	SCREWS	43	33
	SOLENOID TERMINAL	13	23	13-35048	LOCKWASHER	35	33
13-26993	LOCKWASHER, IGNITION			13-35048	LOCKWASHER	37	33
	COIL SCREW	15	36	13-35048	LOCKWASHER (3/8")	37	21
13-26993	LOCKWASHER,			13-35048	LOCKWASHER, ADAPTOR		
	TRANSMISSION LEVER			13-35048	SCREW	35	3
	STUD	45	46	13-35048	LOCKWASHER,		
13-26993	LOCKWASHER,			13-35048	ALTERNATOR BRACKET		
	TRANSMISSION LEVER			13-35048	SCREW	5	23
	STUD	53	10	13-35048	LOCKWASHER, BRACE		
13-26995	LOCKWASHER, STARTER			13-35048	SCREW	23	39
	TERMINAL	5	6	13-35048	LOCKWASHER, BRACKET		
13-26996	LOCKWASHER,			13-35048	SCREW	13	7
	ALTERNATOR TERMINAL	5	9	13-35048	LOCKWASHER, BRACKET		
13-26996	LOCKWASHER, CIRCUIT			13-35048	SCREW	23	32
	BREAKER TERMINAL	13	27	13-35048	LOCKWASHER, BRACKET		
13-26996	LOCKWASHER,			13-35048	SCREW	35	10
	DISTRIBUTOR TERMINAL	15	21	13-35048	LOCKWASHER, CLAMP		
13-26996	LOCKWASHER, IGNITION			13-35048	SCREW	15	18
	COIL TERMINAL	15	33	13-35048	LOCKWASHER, CLAMPING		
13-26996	LOCKWASHER, SENDER			13-35048	SCREW	47	7
	TERMINAL (#10)	13	14	13-35048	LOCKWASHER, DRIVE		
13-26996	LOCKWASHER, SENSOR			13-35048	PLATE SCREW	29	18
	SCREW	15	10	13-35048	LOCKWASHER, FLYWHEEL		
13-26996	LOCKWASHER, STARTER			13-35048	HOUSING	51	4
	TERMINAL	5	6	13-35048	LOCKWASHER, FUEL PUMP		
13-26996	LOCKWASHER,			13-35048	SCREW	17	3
	TEMPERATURE SWITCH			13-35048	LOCKWASHER, WATER		
	(#10)	49	2	13-39107	PUMP SCREW	31	15
13-26996	LOCKWASHER, THROTTLE			13-39107	LOCKWASHER, PULLEY		
	BRACKET SCREW	17	23	13-39107	SCREW	23	23
13-31848	LOCKWASHER, MOUNTING			13-40024--8	LOCKWASHER, WATER		
	BRACKET SCREW	47	19	13-40024--8	PUMP TO PULLEY		
13-32993	LOCKWASHER (7/16")	37	21	13-47659	SCREW	31	18
13-32993	LOCKWASHER,			13-76629	LOCKWASHER, BRACE		
	ALTERNATOR BRACE			13-76629	SCREW	37	9
	SCREW	5	15	15-49264A1	LOCKWASHER	55	8
13-32993	LOCKWASHER, BEARING			15-54531	LOCKWASHER, DUAL		
	SUPPORT HOUSING			15-98184	ADAPTOR NUT	47	10
	SCREW	43	17	16-30668	SHIM SET	55	20
13-32993	LOCKWASHER, BRACE			16-41877	SHIM, INLET VALVE SPRING	25	16
	SCREW	23	36	16-30668	SHIM, REAR OIL SEAL	29	12
13-32993	LOCKWASHER, BRACKET			16-41877	STUD, FLAME ARRESTOR	17	32
	SCREW	23	29		STUD, POWER STEERING		
					PUMP	37	2

PARTS INDEX

Part Number	Description	Pg.	Ref. No.	Part Number	Description	Pg.	Ref. No.
16-49108	STUD, OIL PUMP TO CYLINDER BLOCK	33	2	22-47629	ELBOW, TRANSMISSION TO OIL HOSE	53	2
16-49144	STUD, BAFFLE	33	5	22-47902	FITTING	55	19
16-55109T	STUD, ADAPTOR - POWER STEERING VALVE	47	5	22-47902	VENT, BOTTLE CAP	59	2
16-56766	STUD, ROCKER COVER	25	7	22-48246	ELBOW, OIL HOSE	35	18
16-63335	STUD, SHIFT	51	15	22-48556	BUSHING, REDUCER - TEMPERATURE SWITCH	49	4
16-63335	STUD, SHIFT LEVER	43	41	22-52930	TEE	49	14
16-63335	STUD, SHIFT LEVER	53	5	22-61168	FITTING (90 DEGREES)	35	21
16-64066	STUD, FLYWHEEL HOUSING (2-1/4")	51	7	22-61169	CONNECTOR (STRAIGHT)	35	22
16-72809	STUD, THROTTLE CABLE TO CARBURETOR	17	38	22-63186	CONNECTOR	59	9
16-96108	STUD, CARBURETOR	17	29	22-63187	CONNECTOR	59	4
16-98851	STUD, CABLE	17	25	22-63825	ELBOW, ENGINE OIL COOLER (90 DEGREES)	35	23
17-35312	PIN, DOWEL - CAMSHAFT SPROCKET	27	14	22-63825	ELBOW, OIL HOSE	35	17
17-35312	PIN, DOWEL-REAR CRANKSHAFT BEARING CAP	29	13	22-63835	ELBOW, OIL COOLER	61	2
17-43504	DOWEL PIN, CRANKSHAFT	29	11	22-64013	REDUCER, OIL PRESSURE SENDER	13	16
17-52190	PIN, DOWEL CYLINDER HEAD	27	5	22-66201	CONNECTOR, INTAKE PUMP/INTAKE MANIFOLD	31	9
17-52798	PIN, CLEVIS - STEERING CABLE ATTACHING	47	31	22-67305	GREASE FITTING	47	4
17-72382	PIN, CYLINDER BLOCK	27	8	22-69300	PLUG, EXPANSION - BLOCK	27	4
17-79207	PIN, PLUNGER TO SHIFT LEVER	11	31	22-70682	FITTING	37	25
18-32665	COTTER PIN, CLEVIS SCREW NUT	47	29	22-74036	GREASE FITTING	55	4
18-46950	COTTER PIN, CLEVIS PIN RETAINING	47	32	22-78039	COUPLING, OIL LEVEL GUAGE TUBE	33	17
19-12304	PLUG, TIMING WINDOW	51	2	22-85822	CONNECTOR, FUEL PUMP	17	4
19-47463	PLUG	55	11	22-88517	BUSHING, REDUCING - TRANSMISSION ELBOW	43	3
19-47463	PLUG, EXPANSION - ENGINE COUPLING	43	6	22-88517	BUSHING, REDUCING - TRANSMISSION ELBOW	53	3
19-52191	PLUG, EXPANSION - CAM	27	6	22-93385	ELBOW, FUEL INLET TUBE	17	14
19-59504	PLUG, IMPELLER	23	9	23-31866	SPACER, CABLE STUD	17	27
19-99816	FREEZE PLUG	35	16	23-31866	SPACER, SHIFT STUD	51	17
22-13177	TUBE, WATER HOSE	21	18	23-33186	BUSHING, ALTERNATOR BRACKET SCREW	5	26
22-32802	PIPE PLUG (1/8")	55	18	23-33369	BUSHING, DRIVE END HOUSING	11	2
22-32802	PLUG, PIPE (FOR WATER PUMP BODY)	23	24	23-47471	BEARING	55	12
22-32803	PIPE PLUG	21	3	23-47471	BEARING, ENGINE COUPLING	43	8
22-32803	PLUG, PIPE	33	10	23-47508	SLEEVE, THERMOSTAT	21	7
22-33198A1	PLUG, THERMOSTAT HOUSING	21	12	23-47511	SLEEVE, THERMOSTAT HOUSING	21	2
22-33821	FITTING, FUEL LINE TO FUEL PUMP	17	9	23-53811	SPACER, SHIFT STUD	51	14
22-36382	CONNECTOR, BARBED	59	3	23-53811	SPACER, THROTTLE CABLE STUD	19	42
22-36382	PIPE PLUG (1/4")	55	17	23-55118	SPACER, ROD END CLEVIS SCREW	47	26
22-36382	PLUG	27	3	23-60776	BUSHING, CLEVIS	47	27
22-36492	BUSHING, REDUCER	13	11	23-61170	BEARING, CONNECTING ROD (STANDARD)	29	6
22-38992	BUSHING, TEMPERATURE SWITCH	49	15	23-61170-10	BEARING, CONNECTING ROD (.010 U.S.)	29	6
22-47540	PLUG	27	2	23-61171	BEARING SET, CRANKSHAFT (STANDARD)	29	8
22-47625	ELBOW	37	24	23-61171-10	BEARING SET, CRANKSHAFT (.010 U.S.)	29	8
22-47625	ELBOW, OIL LEVEL GUAGE TUBE TO OIL PAN	33	18	23-61272	BEARING, UNIT - CAM	27	7

PARTS INDEX

Part Number	Description	Pg.	Ref. No.	Part Number	Description	Pg.	Ref. No.
23-71694	BUSHING, BEARING PLATE	11	8	27-49110	GASKET, WATER PUMP MOUNTING	31	13
23-79781	BUSHING	25	17	27-52501	GASKET, BEARING SUPPORT HOUSING	55	23
23-87592A1	SLEEVE KIT	47	8	27-52550	GASKET SET, OIL PAN	33	9
23-90523	SPACER	37	19	27-53045--1	GASKET, THERMOSTAT HOUSING	21	4
23-90523	SPACER, BRACKET SCREW	13	8	27-54529	GASKET, CRANKCASE COVER	31	29
23-92152	SPACER, IGNITION AMPLIFIER SCREW	13	20	27-69287	GASKET, EXHAUST MANIFOLD	57	2
24-32817	SPRING	33	20	27-813970	GASKET	9	35
24-32817	SPRING, THROTTLE RETURN	17	20	27-91831	GASKET, ROCKER COVER	25	10
24-33285	SPRING, FIELD FRAME BRUSH	11	24	27-91892	GASKET, ADAPTOR COVER AND OIL FILTER	35	7
24-46889	SPRING, PLUNGER RETURN	11	32	27-94914	GASKET, BODY TO WEAR PLATE	23	8
24-47755	SPRING	55	29	27-94915	GASKET, COVER TO OUTER WEAR PLATE	23	6
24-47755	SPRING, GUIDE - ENGINE COUPLING	43	9	27-98086A1	GASKET SET, INTAKE MANIFOLD	31	5
24-48143	SPRING, FILTER	17	11	27-98242	GASKET, DISTRIBUTOR CAP	15	4
24-67908	SPRING, RESERVOIR BRACKET	59	7	27-99893	GASKET, OIL FILTER ADAPTOR	35	15
24-69288	SPRING, VALVE	25	15	28-34466	KEY, CRANKSHAFT	29	9
24-70086	SPRING, FILLER CAP	25	3	28-56662	KEY, IMPELLER DRIVE	23	11
25-35276	"O" RING, OIL LEVEL GAUGE	43	22	30-47470	BALL BEARING	55	21
25-35276	"O" RING, OIL LEVEL GAUGE	53	22	30-47470	BALL BEARING, ENGINE COUPLING	43	10
25-47756	"O" RING, BEARING SUPPORT HOUSING	43	12	30-72961	BALL BEARING, WATER PUMP SHAFT	23	16
25-48462	"O" RING, OIL LEVEL TUBE ADAPTOR	43	19	31-47468	NEEDLE BEARING	55	25
25-48462	"O" RING, OIL LEVEL TUBE ADAPTOR	53	19	31-47468	ROLLER BEARING	43	14
25-49767	GROMMET, ROCKER COVER	25	4	32-12807	HOSE, THERMOSTAT HOUSING	21	20
25-89879	"O" RING, PRESSURE HOSE END	37	12	32-12817	HOSE, OIL COOLER TO OIL COOLER	21	16
25-94288	QUAD RING, PUMP HOUSING	23	13	32-12818	HOSE, OIL COOLER TO TUBE	21	17
26-14756	OIL SEAL, REAR - CRANKSHAFT BEARING CAP	29	10	32-12837	TUBE, FUEL INLET	17	13
26-47465	OIL SEAL	55	26	32-12879	HOSE, WATER	57	3
26-47465	OIL SEAL, BEARING SUPPORT HOUSING	43	13	32-14896-70	HOSE, BULK	59	8
26-49154	OIL SEAL, CRANKCASE COVER	31	28	32-42265	TUBE, VENT	17	18
26-52499	OIL SEAL	55	16	32-47516--6	HOSE, TRANSMISSION TO OIL COOLER (30")	43	37
26-72785	OIL SEAL, WATER PUMP SHAFT	23	19	32-47516--6	HOSE, TRANSMISSION TO OIL COOLER (30")	53	34
26-90562	OIL SEAL, WATER PUMP SHAFT	23	15	32-52519-14	HOSE, PUMP TO OIL COOLER	37	14
27-12732	GASKET, FLANGE	17	16	32-53461-70	HOSE, WATER PUMP TO OIL COOLER (7")	21	14
27-13217	GASKET, CYLINDER HEAD	25	23	32-55112	TUBE, CABLE GUIDE	47	12
27-34213	GASKET, FUEL PUMP	17	7	32-64346	HOSE, OIL COOLER TO THERMOSTAT HOUSING	21	19
27-34486--1	GASKET, DISTRIBUTOR	15	15	32-66206	HOSE, BY-PASS - WATER PUMP/INTAKE MANIFOLD	31	10
27-42270A1	GASKET SET	17	15	32-77006--1	HOSE, THERMOSTAT HOUSING	21	20
27-47510	GASKET, THERMOSTAT	21	6	32-77690	WRAPPING, PLASTIC (1/4" DIA)	13	9
27-47903	GASKET, BEARING SUPPORT HOUSING	43	15				
27-48818	GASKET, THERMOSTAT COVER	21	8				

PARTS INDEX

Part Number	Description	Pg.	Ref. No.	Part Number	Description	Pg.	Ref. No.
32-78895	TUBE, EXTENDING - POWER STEERING	47	15	54-18076--6	CLAMP, HOSE ATTACHING	21	15
32-78896	TUBE, RETRACTING - POWER STEERING	47	16	54-18076--9	CLAMP, HOSE ATTACHING	21	21
32-92357-43	HOSE, OIL - ADAPTOR (19")	35	19	54-32780	CLAMP	37	26
32-92357-43	HOSE, OIL - OIL COOLER TO ADAPTER (19-1/2")	35	25	54-62494	CLAMP, FLYWHEEL HOUSING SCREW	51	6
32-92357-51	HOSE, OIL - OIL COOLER TO BRACKET (26")	35	24	54-64628--1	LIFTING EYE	31	4
32-93315-12	HOSE, VENT (11")	17	36	54-67015	CLAMP, OIL LEVEL GAUGE TUBE TO MOUNTING	53	26
32-93370-70	SIGHT TUBE	17	5	54-71982--2	CLIP, OIL LEVEL TUBE	33	21
32-93557	FUEL LINE, FUEL PUMP TO CARBURETOR	17	8	57-14458	BELT, ALTERNATOR DRIVE	31	26
32-98090-70	HOSE, THERMOSTAT COVER	21	13	57-94289	V-BELT, POWER STEERING PUMP	37	10
32-98494	HOSE, PRESSURE (FITTINGS ON BOTH ENDS)	37	11	57-94290	BELT, WATER PUMP	23	25
32-98843-39	HOSE, RETURN (FITTINGS ON ONE END)	37	13	84-14337A1	WIRING HARNESS	13	2
33-59660	SPARK PLUG	15	26	84-14338A1	WIRING HARNESS	13	1
35-16595	OIL FILTER	35	8	84-62826A7	WIRE ASSEMBLY, GROUND	51	9
35-93568	FILTER	17	12	84-813720A2	SPARK PLUG WIRE KIT	15	24
36-14903	CAP, OIL FILLER	25	2	84-86044A4	WIRE ASSEMBLY, TAN/BLUE (36")	49	11
36-95805	CAP, POWER STEERING PUMP	37	3	84-86322A17	CABLE ASSEMBLY (BLACK)	15	12
37-13723-49	DECAL, CARBURETOR COVER	19	44	84-86322A8	WIRE ASSEMBLY, BLACK (8")	49	13
37-16592--5	DECAL	25	6	84-88032A1	WIRE ASSEMBLY, TAN/BLUE (20")	49	12
39-42733	PISTON RING SET (STANDARD)	29	3	85-63709A1	BOOT ASSEMBLY, SPARK PLUG	15	25
39-42733-30	PISTON RING SET (.030 O.S.)	29	3	85-79695	BOOT, INSULATOR - STARTER TERMINAL	5	5
42-813109--1	MUFFLER	57	4	85-96819T	INSULATOR, CIRCUIT BREAKER	13	33
43-813776--1	GEAR, DRIVE	15	11	87-88031	SWITCH, TEMPERATURE	43	36
45-53967A1	DRIVE SHAFT ASSEMBLY (43")	55	1	87-91019A3	SENSOR ASSEMBLY	15	8
45-86978A1	DRIVE SHAFT ASSEMBLY (37")	55	1	88-11178	CIRCUIT BREAKER (50 AMP)	13	26
46-72774A32	WATER PUMP ASSEMBLY	23	1	89-18080	SOLENOID SWITCH (3-5/8" LONG)	11	34
46-72774A40	BODY, WATER PUMP	23	2	89-96054	STARTER SOLENOID	13	21
46-94913A1	PUMP HOUSING ASSEMBLY	23	14	90-15785	PARTS MANUAL	2	-
47-59362	IMPELLER	23	10	90-813507890	OWNER'S GUIDE	2	-
50-17251A3	STARTER MOTOR	5	1	230-8100--2	FLYWHEEL	29	14
50-17251A3	STARTER MOTOR ASSEMBLY	11	-	390-7000	COVER ASSEMBLY, FRONT	7	7
53-23720	SNAP RING, BALL BEARING RETAINING	23	18	390-7003	COVER ASSEMBLY, REAR	7	22
53-33290	RING, RETAINING - PINION STOP COLLAR	11	4	390-7004	FAN	9	4
53-47469	RING, SNAP - BALL BEARING TO ENGINE COUPLING	43	7	390-7004	FAN, DRIVE END FRAME	7	4
53-52502	SNAP RING	55	22	390-7005	BALL BEARING	9	7
53-52503	SNAP RING	55	28	390-7005	BALL BEARING, DRIVE END	7	8
53-52507	RING, SUPPORT	55	27	390-7006	RETAINER, DRIVE END BALL BEARING	7	9
54-15095	"J" CLIP	35	32	390-7007	RETAINER	9	13
54-18076--1	CLAMP, HOSE ATTACHING	37	15	390-7007	RETAINER, ROTOR SHAFT BEARING	7	21
54-18076--3	CLAMP, BY-PASS HOSE	31	11	390-7008	DIODE TRIO	7	35
54-18076--3	CLAMP, HOSE ATTACHING	21	22	390-7009	DIODE RECTIFIER, NEGATIVE	7	11
				390-7010	HEAT SINK, POSITIVE	7	12
				390-7011	BRUSH HOLDER ASSEMBLY	7	33
				390-7012	SPACER, FAN TO DRIVE END FRAME	7	5
				390-7013	GASKET, VOLTAGE REGULATOR	7	37
				390-7014	SLIP RING	7	17

PARTS INDEX

Part Number	Description	Pg.	Ref. No.	Part Number	Description	Pg.	Ref. No.
390-7014	SLIP RING	9	11				
390-7015	SCREW, VOLTAGE REGULATOR ATTACHING	7	39				
390-7018	SLEEVE, INSULATOR	7	14				
390-7019	SPACER, DIODE TRIO	7	36				
390-7020	SLEEVE, INSULATOR	7	13				
390-7021	NUT	9	21				
390-7021	NUT, CONDENSOR TERMINAL ATTACHING . .	7	32				
390-7022	WASHER	9	24				
390-7022	WASHER, CONDENSOR TERMINAL STUD	7	30				
390-7023	WASHER, REGULATOR TERMINAL STUD	7	24				
390-7024	WASHER, CONDENSOR TERMINAL STUD	7	25				
390-7025	NUT, TERMINAL STUD	7	26				
390-7026	NUT, TERMINAL ATTACHING	7	29				
390-7027	NUT	9	1				
390-7027	NUT, FAN AND PULLEY TO ROTOR	7	1				
390-7028	NUT, THRU BOLT ATTACHING	7	6				
390-7029	SCREW, ROTOR SHAFT (5/8")	7	20				
390-7030	SCREW, BRUSH HOLDER (1/2")	7	34				
390-7032	LOCKWASHER, TERMINAL STUD	7	28				
390-7033	LOCKWASHER	9	2				
390-7033	LOCKWASHER, FAN AND PULLEY NUT	7	2				
390-7034	KEY	9	9				
390-7034	KEY, ROTOR	7	15				
390-7035	CONDENSOR	7	23				
390-7036	VOLTAGE REGULATOR . . .	7	38				
390-7206	WASHER, ROTOR SCREW .	7	18				
390-7207	LOCKWASHER, ROTOR SCREW	7	19				
390-7208	WASHER, TERMINAL STUD	7	27				
390-8635	ROTOR ASSEMBLY	7	16				
390-8636	STATOR ASSEMBLY	7	10				
390-8638	THRU BOLT	7	31				
392-7803A4	COIL, IGNITION	15	30				
622-7929	CONNECTING ROD	29	4				
789-813058A1	PISTON & PIN (STANDARD)	29	1				
789-813059A1	PISTON & PIN (.030 O.S.) . .	29	1				
938-9221	CYLINDER HEAD ASSEMBLY	25	21				
1399-6508-92	JET	17	17				