



PARTS CATALOG

MARK 6, MARK 6A

SERIAL NUMBER

MARK 6, 6A ALL

TABLE OF CONTENTS:

ACCESSORIES	1
BOTTOM COWL AND FUEL PUMP ASSEMBLY	26
CARBURETOR ASSEMBLY	14
CHOKE ASSEMBLY	16
CLAMP AND SWIVEL BRACKET ASSEMBLY	34
CRANKCASE AND BEARING HOUSING ASSEMBLY	24
CRANKSHAFT AND CENTER MAIN BEARING	22
CYLINDER BLOCK ASSEMBLY	18
DRIVE SHAFT HOUSING	36
GEAR HOUSING ASSEMBLY	38
MAGNETO ASSEMBLY (PHELON)	8
MAGNETO ASSEMBLY (SCINTILLA)	12
PARTS INDEX	42
PISTON AND CONNECTING ROD ASSEMBLY	20
STARTER ASSEMBLY	6
STEERING HANDLE ASSEMBLY	30
TOP COWL ASSEMBLY(MK6, MK6-1, MK6-2, MK6-3, MK6-4)	2
TOP COWL ASSEMBLY(MK6A)	4

NOTE: Indented description indicate that these parts are included in preceeding assembly.

AR = As Required

NSS = Not Sold Separate

OPT = Optional

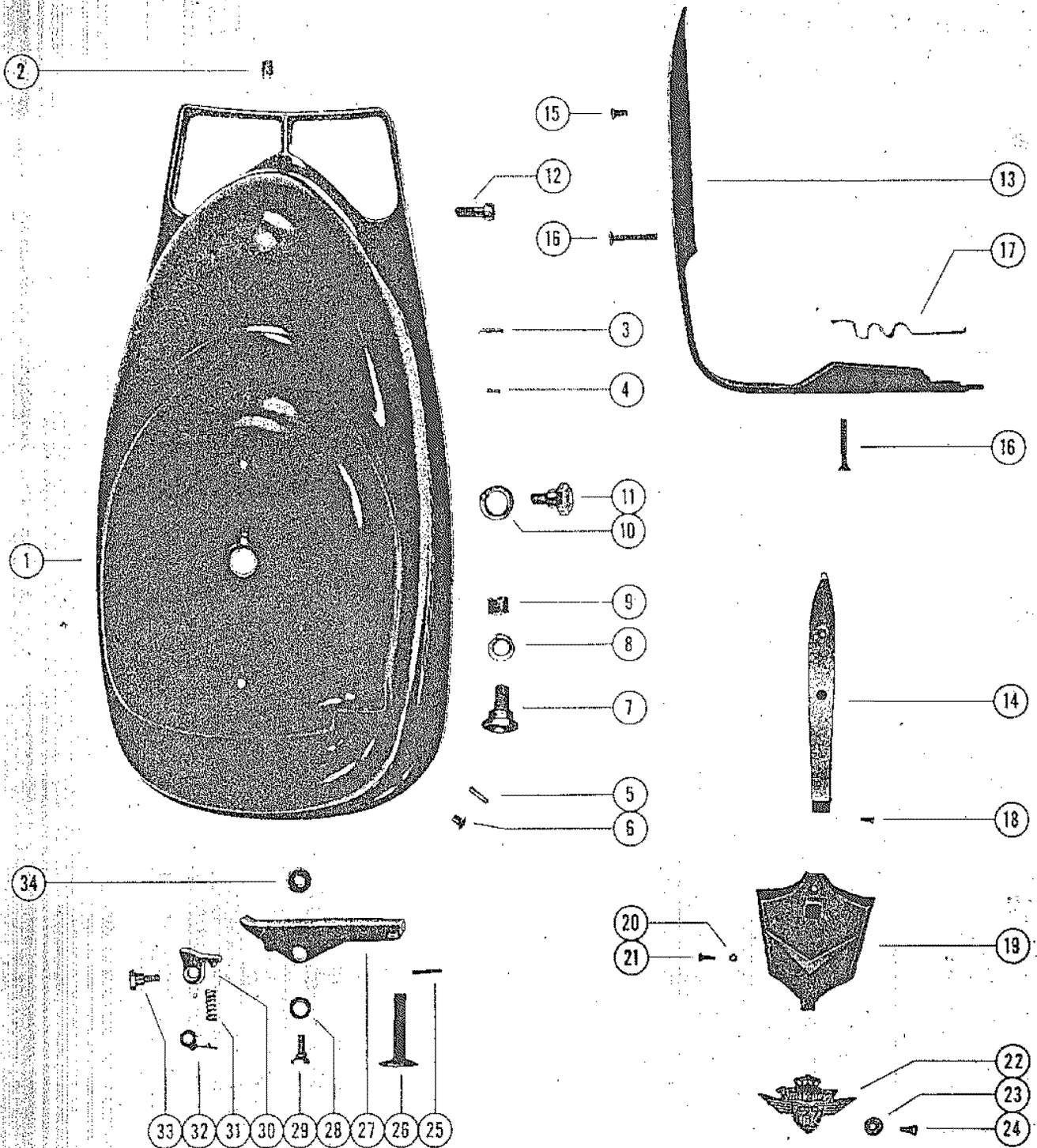
NS = Not Shown

THESE PARTS BOOKS/FICHE CARD ARE COPYRIGHTED AND MAY NOT BE DISTRIBUTED OR REPRODUCED IN ANY OTHER FORMAT BY ANYONE OTHER THAN MERCURY MARINE WITHOUT THE PRIOR WRITTEN CONSENT OF MERCURY MARINE.

ACCESSORIES

REF. NO.	PART NO.	SYM.	QTY.	DESCRIPTION
-	27-23278		0	GASKET SET (MOTOR OVERHAUL)
-	37-25097		0	DECAL SET (MK6 AND MK6-1)
-	37-28736		0	DECAL SET (MK6-2, MK6-3, MK6-4 AND MK6A)
-	37-28803		0	DECAL SET (WHITE MOTORS -MK6A)
-	92-25143		0	DECAL SOLUTION (PINT BOTTLE)
-	23597A1		0	FLUSHING ASSEMBLY
-	25037		0	SHIPPING CARTON (FUEL TANK)
-	1399-961		0	GASKET AND PACKING SET (CARBURETOR)
-	1399-810		0	REPAIR PARTS KIT (CARBURETOR)
-	90-32034		0	MARK 6 AND MARK 6A PARTS LIST, COMPLETE

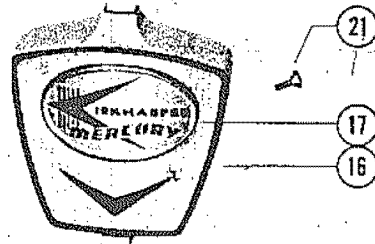
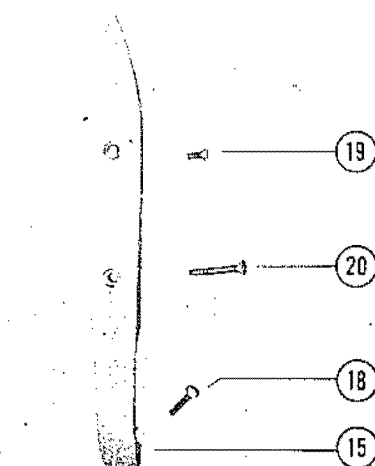
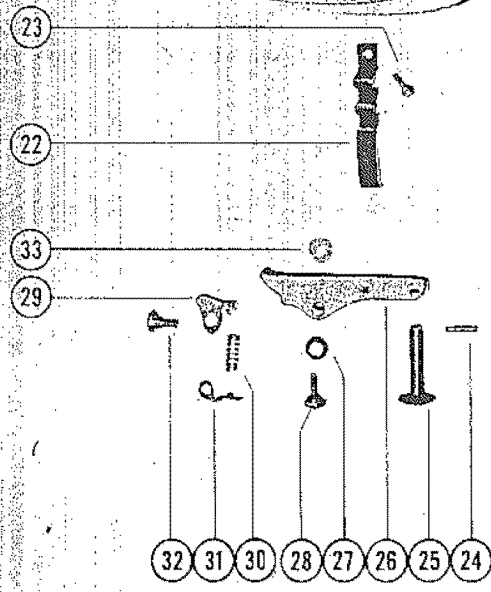
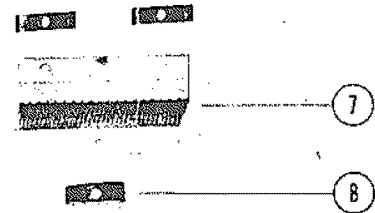
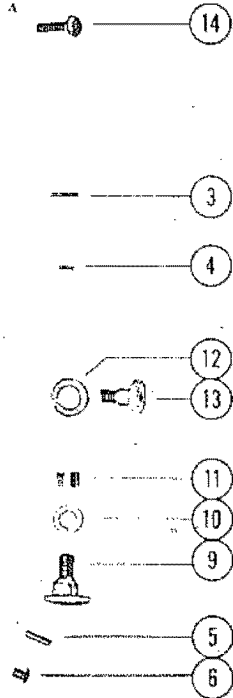
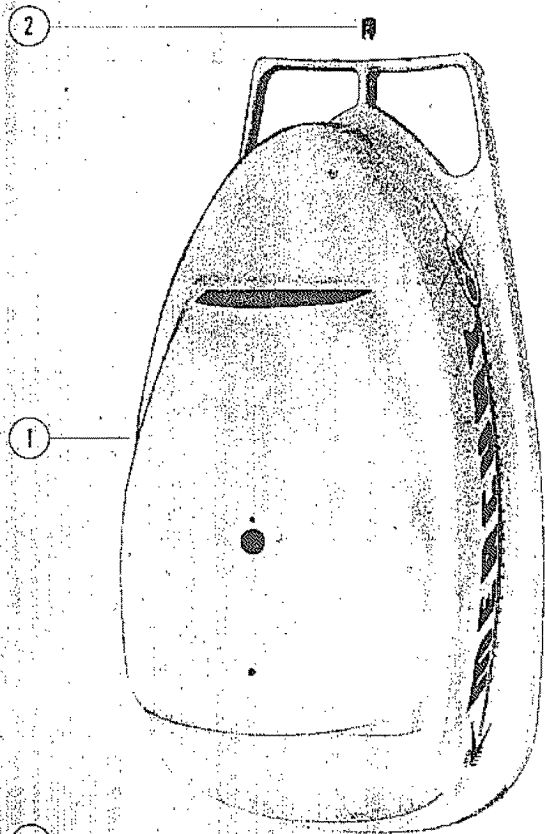
TOP COWL ASSEMBLY(MK6, MK6-1, MK6-2, MK6-3, MK6-4)



TOP COWL ASSEMBLY(MK6, MK6-1, MK6-2, MK6-3, MK6-4)

REF. NO.	PART NO.	SYM.	QTY.	DESCRIPTION
1	119-1046A3		1,1,,,	TOP COWL ASSEMBLY
	119-1046A3		,,1,1,1	TOP COWL ASSEMBLY
2	21041		1,1,1,1,1	INSERT, TAP LOCK
3	17-22078		1,1,1,1,1	PIN,ANCHOR - STARTER SPRING
4	17-20563		1,1,1,1,1	PIN,ROLL - SHEAVE SHAFT RETAINING
5	17-24814		2,2,2,2,2	PIN,ROLL - LOCATING
6	20721		2,2,2,2,2	BUMPER,RUBBER - TOP COWL
7	23318		1,1,1,1,1	GUIDE,STARER CABLE
8	13-20758		1,1,1,1,1	LOCKWASHER, CABLE GUIDE
9	11-23320		1,1,1,1,1	NUT, CABLE GUIDE TO TOP COWL
10	13-22021		1,1,1,1,1	LOCKWASHER, SHEAVE SHAFT TO TOP COWL SCREW
11	10-23530		1,1,1,1,1	SCREW, SHEAVE SHAFT TO TOP COWL
12	10-24852		1,1,1,1,1	SCREW, TOP COWL TO BOTTOM COWL
13	23927		1,1,,,	HANDLE, TOP COWL
14	25498		,,1,1,1	HANDLE, TOP COWL
15	10-24942		1,1,,,	SCREW, HANDLE TO TOP COWL (7/16")
	10-25501		,,1,1,1	SCREW, HANDLE TO TOP COWL (1/2")
16	10-24828		2,2,,,	SCREW, HANDLE TO TOP COWL (1 1/4")
	10-24828		,,1,1,1	SCREW, HANDLE TO TOP COWL (1 1/4")
17	24924		1,1,1,1,1	CATCH, DRAW BOLT
18	10-21424		,,1,,	SCREW, HANDLE TO SHIELD (1/2")
	10-26537		,,,1,1	SCREW, HANDLE TO SHIELD (1/2")
-	25497A1		,,,1,1	SHIELD ASSEMBLY, F4RONT COWL
19	25497		,,1,1,1	SHIELD, FRONT COWL
-	26183A_		,,,1,1	EMBLEM, FRONT COWL SHIELD
20	13-26996		,,3,3,3	LOCKWASHER, SHIELD AND DRAW BOLT CATCH TO TOP COWL
21	10-20665		,,3,3,3	SCREW, SHIELD AND DRAW BOLT CATCH TO TOP COWL
22	25499		,,1,,	EMBLEM, FRONT SHIELD
23	12-20346		,,1,,	WASHER, EMBLEM TO SHIELD SCREW
24	10-21562		,,1,,	SCREW, EMBLEM TO SHIELD
25	17-24800		1,1,1,1,1	PIN, FORWARD KNOB TO TRIP LEVER
26	23917		1,1,1,1,1	KNOB, FORWARD
27	22865		1,1,1,1,1	LEVER, TRIP - NUETRAL
28	12-22887		1,1,1,1,1	WASHER, TRIP LEVER TO TOP COWL SCREW (TOP)
29	10-22866		1,1,1,1,1	SCREW, TRIP LEVER TO TOP COWL
30	22867		1,1,1,1,1	DETENT, NUETRAL
31	24-22870		1,1,1,1,1	SPRING, DETENT
32	22869		1,1,1,1,1	RETAINER, DETENT SPRING
34	12-22894		1,1,1,1,1	WASHER, TRIP LEVER TO TOP COWL SCREW (BOTTOM)

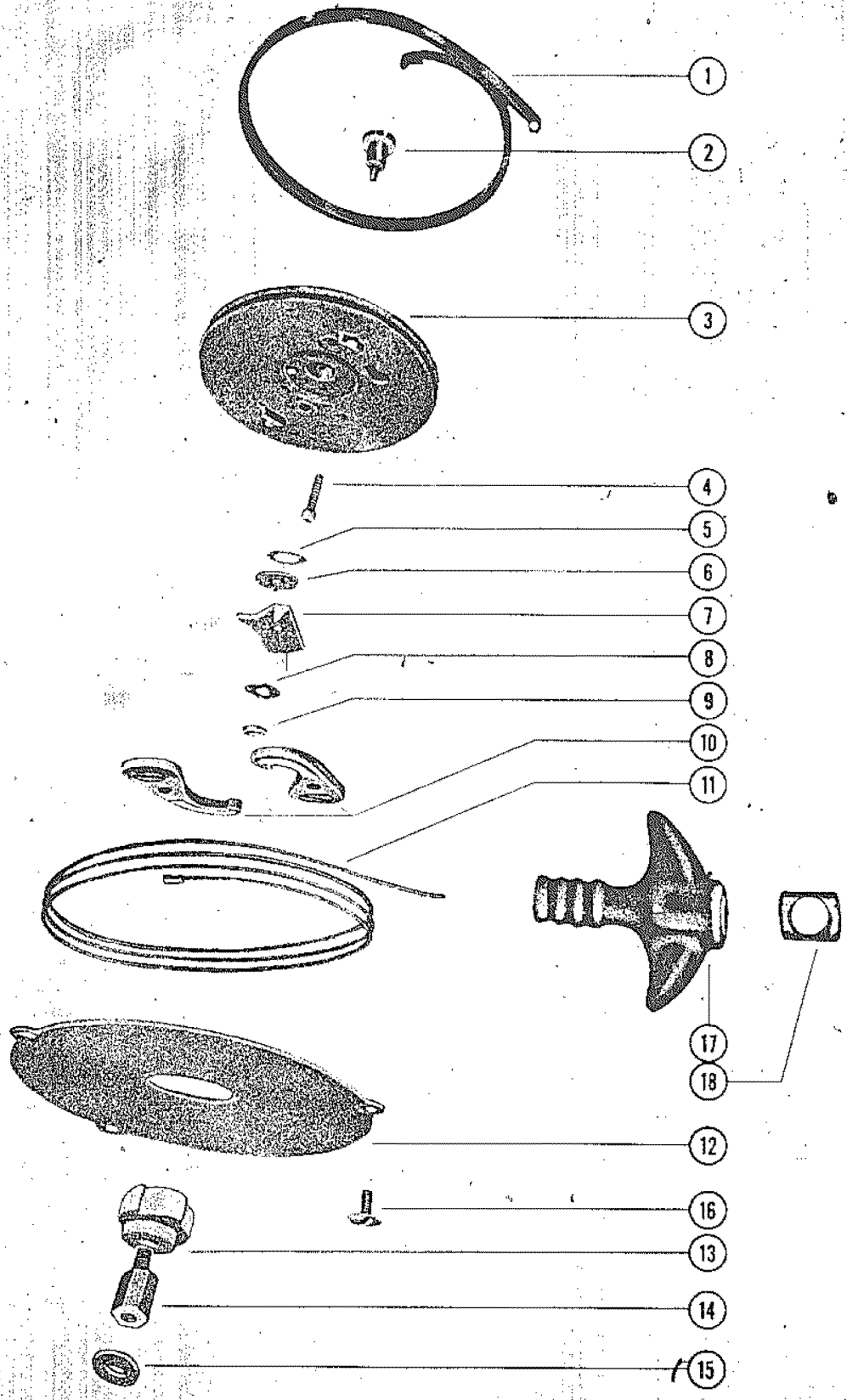
TOP COWL ASSEMBLY(MK6A)



TOP COWL ASSEMBLY(MK6A)

REF. NO.	PART NO.	SYM.	QTY.	DESCRIPTION
1	119-1503A3		1	TOP COWL ASSEMBLY
2	21041		1	INSERT, TAP LOCK
3	17-22078		1	PIN, ANCHOR - STARTER SPRING
4	17-20563		1	PIN, ROLL - SHEAVE SHAFT RETAINING
5	17-24814		2	PIN, ROLL - LOCATING
6	20721		2	BUMPER, RUBBER - TOP COWL
7	28768		1	SCREEN, VENT - TOP COWL
8	11-22425		3	NUT, SCREEN TO TOP COWL
9	23318		1	GUIDE, STARTER CABLE
10	13-20758		1	LOCKWASHER, CABLE GUIDE
11	11-23320		1	NUT, CABLE GUIDE TO TOP COWL
12	13-22021		1	LOCKWASHER, SHEAVE SHAFT SCREW
13	10-23530		1	SCREW, SHEAVE SHAFT TO TOP COWL
14	10-24852		1	SCREW, TOP COWL TO BOTTOM COWL
15	28769		1	HANDLE, TOP COWL
16	28677A1		1	SHIELD ASSEMBLY, FRONT COWL
17	26183A_		1	EMBLEM, FRONT COWL SHIELD
18	10-28704		1	SCREW, HANDLE TO SHIELD (5/8")
19	10-25501		1	SCREW, HANDLE TO TOP COWL (1/2")
20	10-24828		1	SCREW, HANDLE TO TOP COWL (1 1/4")
21	10-28705		2	SCREW, SHIELD TO COWL
22	24924		1	CATCH, DRAW BOLT
23	10-28705		1	CSREW, DRAW BOLT CATCH TO COWL
24	17-24800		1	PIN, FORWARD KNOB TO TRIP LEVER
25	23917		1	KNOB, FORWARD
26	22865		1	LEVER, TRIP - NEUTRAL
27	12-22887		1	WASHER, TRIP LEVER SCREW (TOP)
28	10-22866		1	SCREW, TRIP LEVER TO TOP COWL
29	22867		1	DETENT, NEUTRAL
30	24-22870		1	SPRING, DETENT
31	22869		1	RETAINER, DETENT SPRING
32	10-22868		1	SCREW, DETENT TO TOP COWL
33	12-22894		1	WASHER, TRIP LEVER SCREW (BOTTOM)

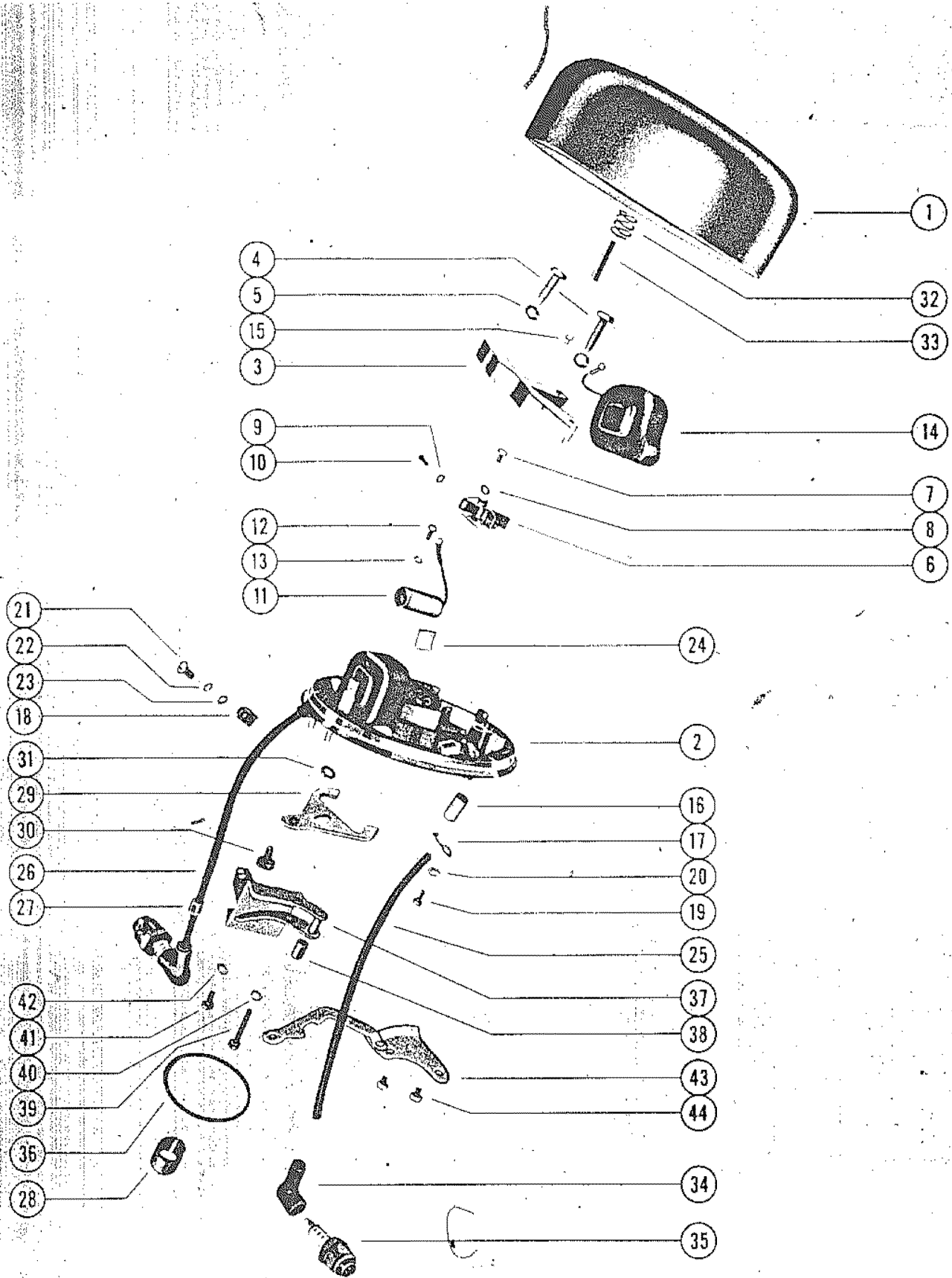
STARTER ASSEMBLY



STARTER ASSEMBLY

REF. NO.	PART NO.	SYM.	QTY.	DESCRIPTION
1	24-24081		1,1,1,1,1,	SPRING, STARTER
2	24170		1,1,1,1,1,	SHAFT, STARTER SHEAVE
3	24080A5		1,1,1,1,1,	STARTER SHEAVE ASSEMBLY
-	17-24171		1,1,1,1,1,	PIN, RETAINER
-	17-20564		1,1,1,1,1,	PIN, SPRING ANCHOR
-	24078		2,2,2,2,2,	THREAD GUARD
4	10-24776		2,2,2,2,2,	SCREW, SHEAVE REINFORCING
5	15-20767		1,1,1,1,1,	SHIM, SHEAVE SHAFT (.010)
6	12-24172		1,1,1,1,1,	WASHER, SHEAVE SHAFT
7	24085		1,1,1,1,1,	RETAINER, STARTER PAWL
8	13-20511		1,1,1,1,1,	WASHER, WAVE
	13-28943		,,,,,,1	WASHER, WAVE
9	24169		1,1,1,1,1,	COLLAR, SHEAVE SHAFT
10	24181A1		2,2,2,2,2,	STARTER PAWL ASSEMBLY
-	20793		2,2,2,2,2,	MAGNET, STARTER PAWL
11	22681A1		1,1,1,1,1,	STARTER CABLE ASSEMBLY
12	24082		1,1,1,1,1,	PLATE, FRICTION
13	22680		1,1,1,1,1,	RATCHET, STARTER
14	23-24805		1,1,1,1,1,	SPACER, STARTER RATCHET
15	12-20959		AR,,,,,	WASHER, STARTER RATCHET
	12-22248		AR,AR,AR,	WASHER, STARTER RATCHET
	12-27025		,,,,,,1	WASHER, STARTER RATCHET
16	10-22491		3,3,3,3,3,	SCREW, FRICTION PLATE TO TOP COWL
17	20662		1,1,1,1,1,	HANDLE, STARTER CABLE
18	24804		1,1,1,1,1,	END CAP, STARTER HANDLE

MAGNETO ASSEMBLY (PHELON)

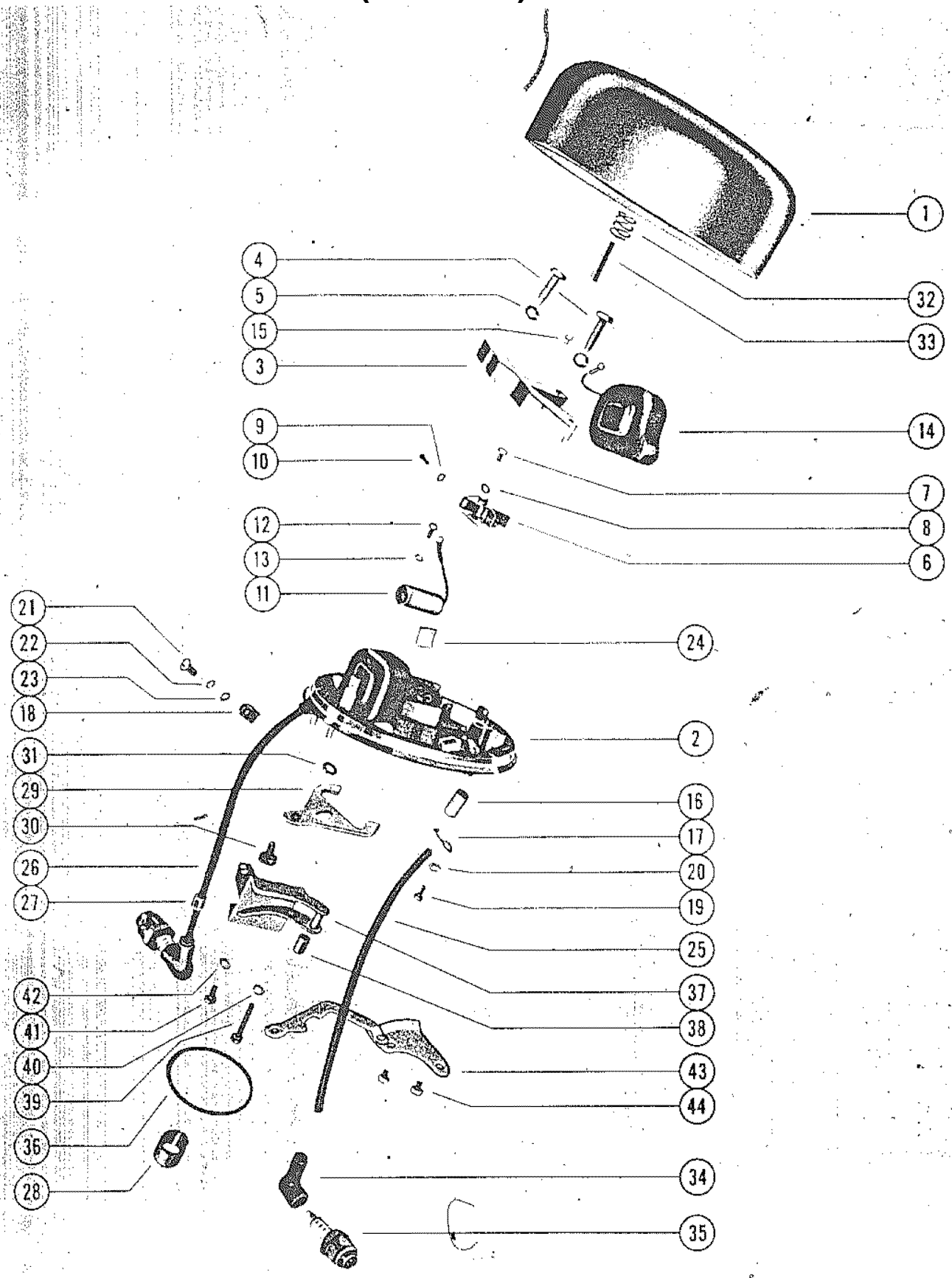


MAGNETO ASSEMBLY (PHELON)

REF. NO.	PART NO.	SYM.	QTY.	DESCRIPTION
-	306-418		1,1,1,1,1,	MAGNETO ASSEMBLY, COMPLETE (PHELON)
1	398-691		1,1,1,1,1,	FLYWHEEL
2	398-692A1		1,1,1,1,1,	STATOR PLATE ASSEMBLY
3	398-692		1,1,1,1,1,	STATOR AND CORE
4	398-693		4,4,4,4,4,	SCREW, CORE FASTENING
5	13-21144		4,4,4,4,4,	LOCKWASHER, CORE SCREW
6	398-174		2,2,2,2,2,	BREAKER POINT ASSEMBLY
7	10-21133		2,2,2,2,2,	SCREW, FIXED CONTACT
8	13-21134		2,2,2,2,2,	LOCKWASHER, FIXED CONTACT SCREW
9	12-21135		2,2,2,2,2,	WASHER,BREAKER CONNECTION SCREW
10	10-23976		2,2,2,2,2,	SCREW, BREAKER CONNECTION
11	398-693		2,2,2,2,2,	CONDENSER
12	10-21136		2,2,2,2,2,	SCREW, CONDENSER ATTACHING
13	13-21134		2,2,2,2,2,	LOCKWASHER, CONDENSER SCREW
14	398-173		2,2,2,2,2,	COIL, IGNITION
15	10-21130		2,2,2,2,2,	SCREW, GROUND TERMINAL
16	32-21137		2,2,2,2,2,	TUBE, LEAD WIRE
17	398-179		2,2,2,2,2,	CLAMP, LEAD WIRE TUBE
18	398-182		2,2,2,2,2,	CLAMP,LEAD WIRE TUBE (PLASTIC)
19	10-23977		2,2,2,2,2,	SCREW, LEAD WIRE CLAMP
20	13-21134		2,2,2,2,2,	LOCKWASHER, LEAD WIRE CLAMP SCREW
21	10-23977		2,2,2,2,2,	SCREW, LEAD WIRE PLASTIC CLAMP
22	13-21134		2,2,2,2,2,	LOCKWASHER, PLASTIC CLAMP SCREW
23	12-21135		2,2,2,2,2,	WASHER, PLASTIC CLAMP SCREW
24	398-192		1,1,1,1,1,	WIPER, CAM (FELT)
	398-193		1,1,1,1,1,	WIPER, CAM (FELT)
25	398-1085		1,1,1,1,1,	LEAD, HIGH TENSION (BOTTOM)
26	398-965		1,1,1,1,1,	LEAD, HIGH TENSION (TOP)
27	20623		1,1,1,1,1,	MARKER, "TOP" - LEAD WIRE
28	398-694		1,1,1,1,1,	CAM, BREAKER
29	23019		2,2,2,2,2,	CLAMP, MAGNETO FRICTION
30	10-23018		2,2,2,2,2,	SCREW, FRICTION CLAMP TO STATOR PLATE
31	13-26992		2,2,2,2,2,	LOCKWASHER, FRICTION CLAMP SCREW
32	24-22677		1,1,1,1,1,	SPRING, MAGNETO
33	28-22676		1,,,,,	KEY, FLYWHEEL (2 1/16")
	28-22818		1,1,1,1,1,	KEY, FLYWHEEL (1 29/32")
34	20119		2,2,2,2,2,	PROTECTOR, SPARK PLUG
-	24-24949		2,,,,,	SPRING, LEAD WIRE GUIDE
-	12-20192		2,,,,,	WASHER,LEAD WIRE GUIDE SPRING
35	33-22805		2,2,2,2,2,	SPARK PLUG (CHAMPION J-7-J)
	33-28916		2,2,2,2,2,	SPARK PLUG (A.C. M-45)
36	15-22371		1,1,1,1,1,	SHIM, MAGNETO PILOT (.015)
37	22674A1		1,1,1,1,1,	THROTTLE CAM ASSEMBLY

CONTINUED ON NEXT PAGE ➡

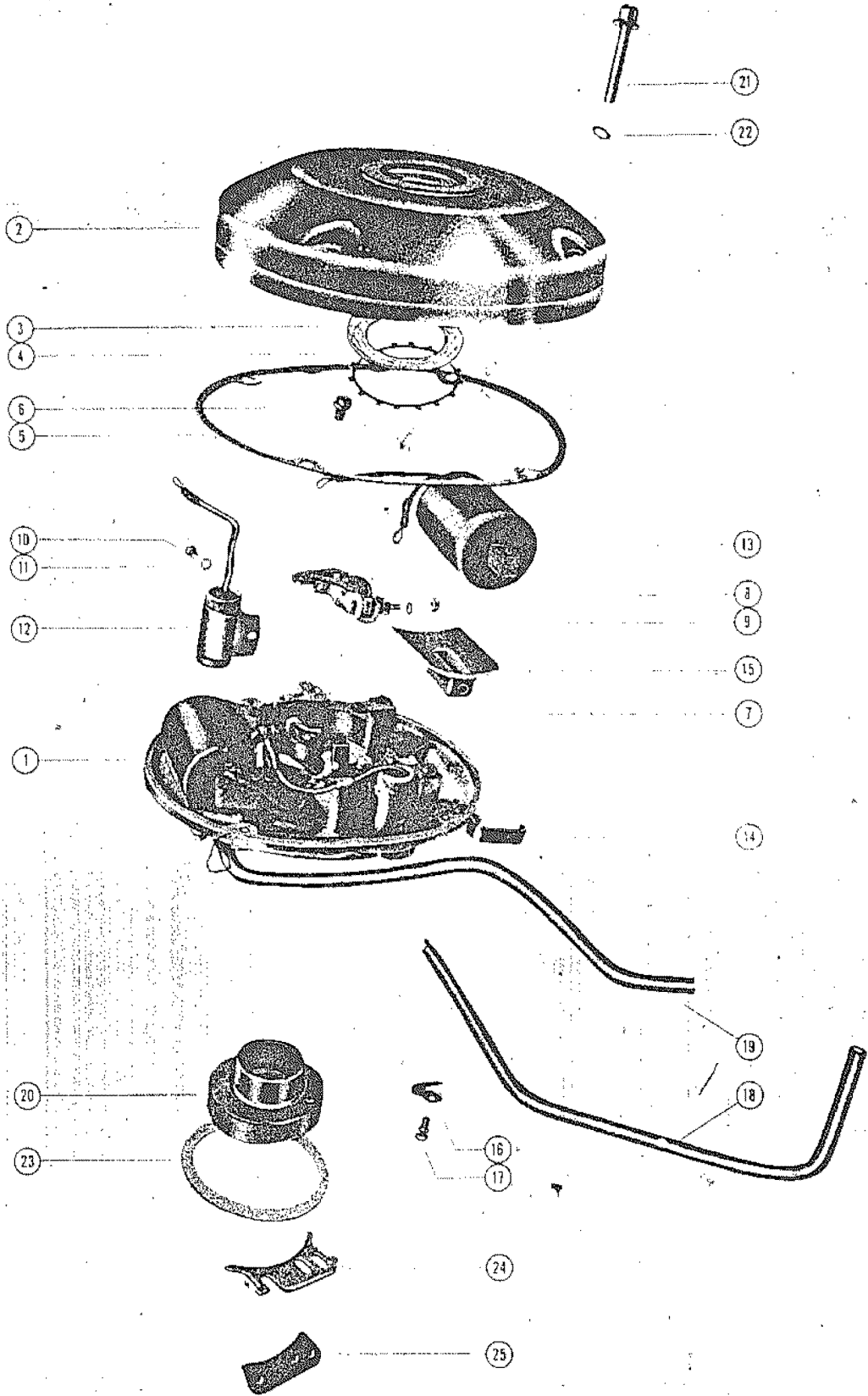
MAGNETO ASSEMBLY (PHELON)



MAGNETO ASSEMBLY (PHELON)

REF. NO.	PART NO.	SYM.	QTY.	DESCRIPTION
38	23-20618		1,1,1,1,1,	SPACER, THROTTLE CAM
39	10-22031		1,1,1,1,1,	SCREW, THROTTLE CAM ATTACHING (LONG)
	10-28706		,,,,,1	SCREW, THROTTLE CAM ATTACHING (LONG)
40	13-22675		1,1,1,1,1,	LOCKWASHER, THROTTLE CAM SCREW
41	10-20616		1,1,1,1,1,	SCREW, THROTTLE CAM ATTACHING (SHORT)
	10-28707		,,,,,1	SCREW, THROTTLE CAM ATTACHING (SHORT)
42	13-26991		1,1,1,1,1,	LOCKWASHER, THROTTLE CAM SCREW
43	22904A1		1,1,1,1,1,	LIMIT PLATE AND LINK ASSEMBLY
44	10-22028		2,2,2,2,2,	SCREW, LIMIT PLATE FASTENING

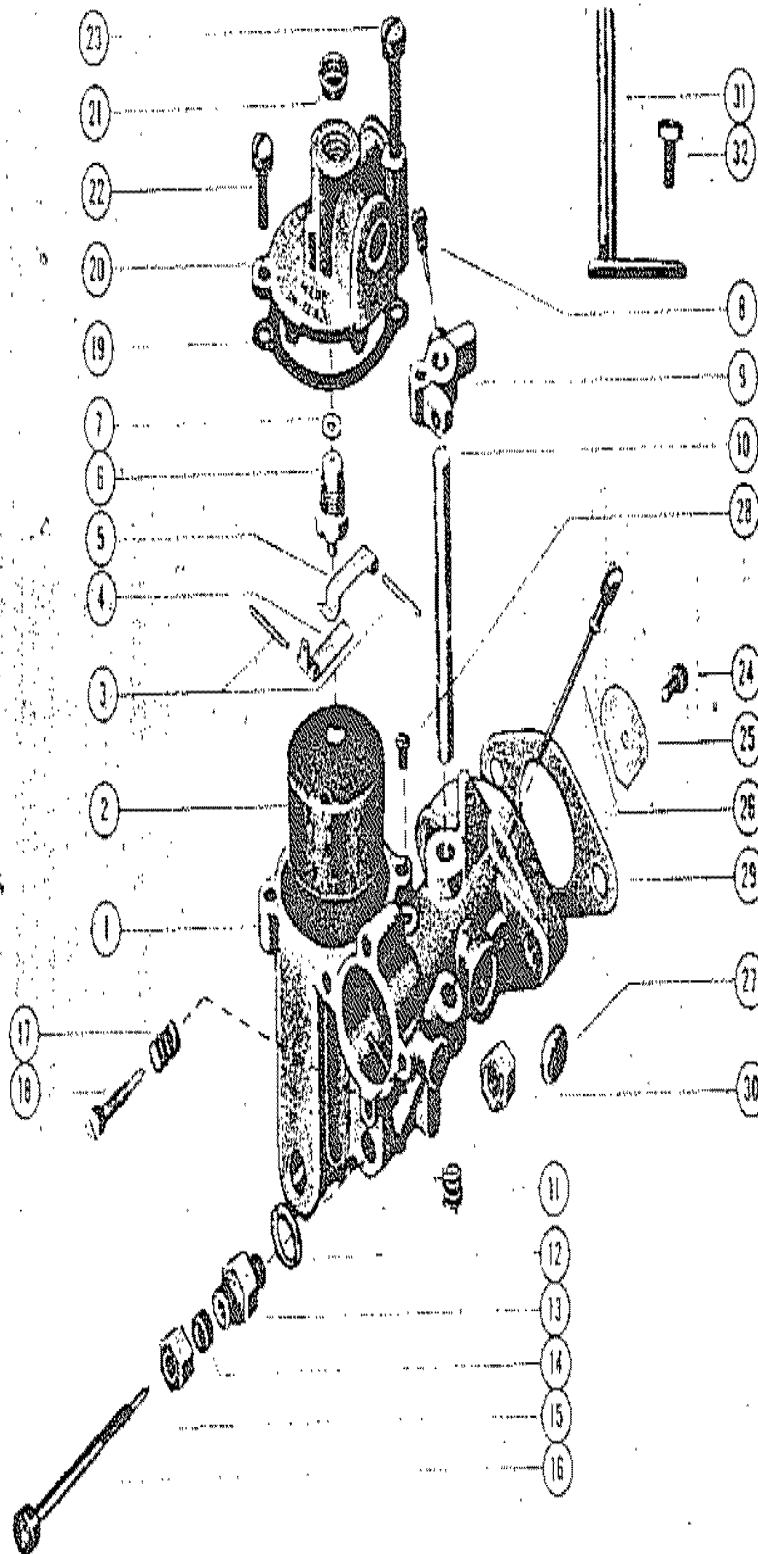
MAGNETO ASSEMBLY (SCINTILLA)



MAGNETO ASSEMBLY (SCINTILLA)

REF. NO.	PART NO.	SYM.	QTY.	DESCRIPTION
-	308-440		1	MAGNETO ASSEMBLY, COMPLETE (SCINTILLA)
1	399-119		1	PLATE, STATOR
2	399-131		1	COVER, MAGNETO
3	12-20885		1	WASHER, FELT - MAGNETO COVER
4	399-132		1	RING, LOCK - MAGNETO COVER
5	27-20600		1	GASKET, MAGNETO COVER
6	10-20879		2	SCREW AND LOCKWASHER, BREAKER ASSEMBLY MOUNTING
-	10-20880		2	SCREW AND LOCKWASHER, CABLE CLIP
-	399-1151		2	CLIP, CABLE
7	399-121A1		2	BREAKER ASSEMBLY
8	13-20378		2	LOCKWASHER, TERMINAL NUT
9	11-20881		2	NUT, TERMINAL
10	10-20883		2	SCREW, CONDENSER MOUNTING
11	13-20882		2	LOCKWASHER, CONDENSER MOUNTING SCREW
12	399-123		2	CONDENSER
13	399-125		2	COIL, IGNITION
14	399-126		4	CLIP, COIL
15	399-129		2	INSULATOR, HIGH TENSION LEAD
16	399-1152		2	CLAMP,HIGH TENSION LEAD
17	10-20884		2	SCREW AND LOCKWASHER, HIGH TENSION LEAD CLAMP
-	12-20878		2	WASHER, HIGH TENSION LEAD CLAMP SCREW
18	399-1248		1	LEAD, HIGH TENSION - SHORT
19	399-1154		1	LEAD, HIGH TENSION - LONG
20	399-1155		1	MAGNET, ROTATING
21	10-20602		4	SCREW AND LOCKWASHER, COVER FASTENING
22	12-20603		4	WASHER, COVER FASTENING SCREW
-	204-455		1	FLYWHEEL
-	28-22818		1	KEY, FLYWHEEL
23	15-22371		1	SHIM, MAGNETO PILOT (.015)
24	24-24347		2	SPRING, MAGNETO HOLD DOWN
25	399-787		1	PLATE, MAGNETO FLANGE
-	399-459A1		1	LIMIT PLATE AND LINK ASSEMBLY
-	10-23095		4	SCREW, LIMIT PLATE AND FLANGE PLATE FASTENING

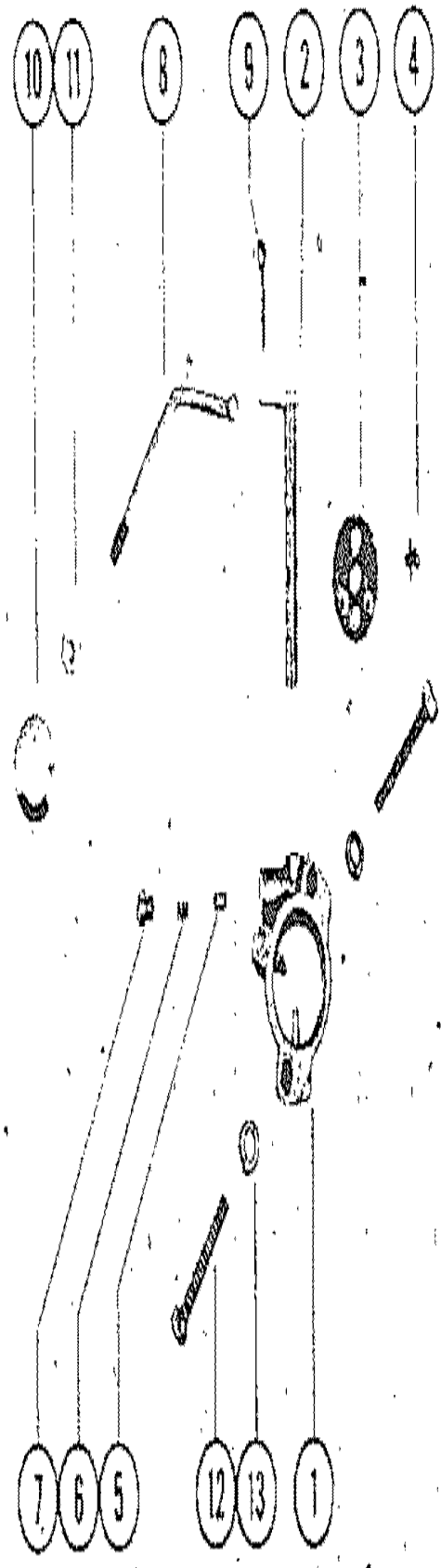
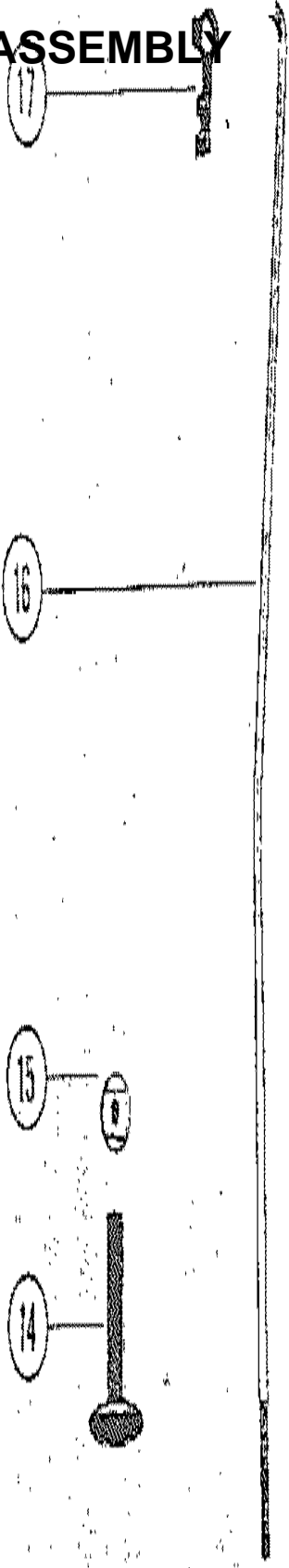
CARBURETOR ASSEMBLY



CARBURETOR ASSEMBLY

REF. NO.	PART NO.	SYM.	QTY.	DESCRIPTION
1	1304-415		1,1,1,1,1,	CARBURETOR ASSEMBLY, COMPLETE
2	1399-110A1		1,1,1,1,1,	FLOAT ASSEMBLY
3	17-20853		2,2,2,2,2,	PIN, FLOAT LEVER PINION
4	1399-102		1,1,1,1,1,	LEVER, FLOAT (LOWER)
5	1399-101		1,1,1,1,1,	LEVER, FLOAT (UPPER)
6	1399-1138		1,1,1,1,1,	INLET NEEDLE AND SEAT
7	27-25033		1,1,1,1,1,	GASKET, INLET NEEDLE AND SEAT
8	10-20847		1,1,1,1,1,	SCREW, THROTTLE STOP LEVER
9	1399-97		1,1,1,1,1,	LEVER, THROTTLE STOP
10	1399-438		1,1,1,1,1,	SHAFT, THROTTLE
11	24-20869		1,1,1,1,1,	SPRING, THROTTLE RETURN
12	27-20848		1,1,1,1,1,	GASKET, ADJUSTMENT SCREW GLAND
13	1399-94		1,1,1,1,1,	GLAND, MAIN ADJUSTMENT SCREW
14	1399-108		1,1,1,1,1,	PACKING, MAIN ADJUSTMENT SCREW
15	11-20849		1,1,1,1,1,	NUT, MAIN ADJUSTMENT SCREW PACKING
16	1399-702		1,1,1,1,1,	SCREW, MAIN ADJUSTMENT
17	24-20856		1,1,1,1,1,	SPRING, IDLE ADJUSTMENT SCREW
18	1399-220		1,1,1,1,1,	SCREW, IDLE ADJUSTMENT
19	1399-99		1,1,1,1,1,	GASKET, FLOAT BOWL COVER
20	1399-701		1,1,1,1,1,	COVER, FLOAT BOWL
21	1399-436		1,1,1,1,1,	SCREEN, INLET
22	10-20854		1,1,1,1,1,	SCREW AND LOCKWASHER, COVER MOUNTING (SHORT)
23	10-20857		1,1,1,1,1,	SCREW AND LOCKWASHER, COVER MOUNTING (LONG)
24	10-23035		1,1,1,1,1,	SCREW AND LOCKWASHER, THROTTLE SHUTTER
25	1399-699		1,1,1,1,1,	SHUTTER, THROTTLE
26	1399-700A1		1,1,1,1,1,	TUBE ASSEMBLY, BY-PASS
27	19-20011		1,1,1,1,1,	WELCH PLUG, BODY CHANNEL
-	1399-95		2,2,2,2,2,	LEAD SHOT, CHANNEL PLUG
28	10-20870		1,1,1,1,1,	SCREW, DRILL PLUG - OUTLET TUBE
-	1399-961		1,1,1,1,1,	GASKET AND PACKING SET
-	1399-810		1,1,1,1,1,	REPAIR PARTS KIT
29	27-22023		1,1,1,1,1,	GASKET, CARBURETOR TO CRANKCASE
-	12-20583		2,2,2,2,2,	WASHER, CARBURETOR MOUNTING STUD
30	11-21825		2,2,2,2,2,	NUT, CARBURETOR MOUNTING STUD
31	20596A2		1,1,1,1,1,	THROTTLE LEVER ASSEMBLY
32	10-20597		1,1,1,1,1,	SCREW, THROTTLE LEVER TO CARBURETOR

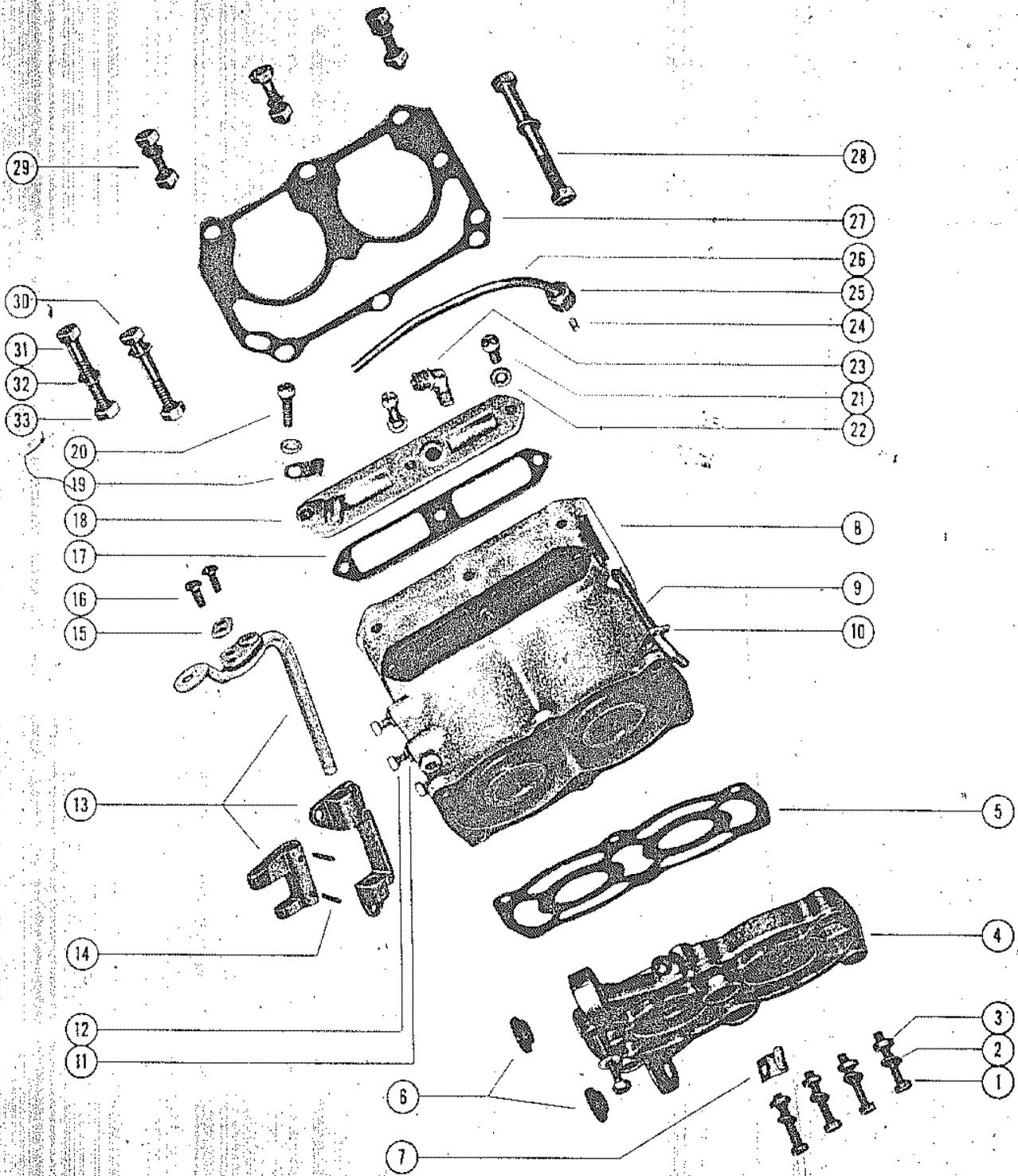
CHOKE ASSEMBLY



CHOKE ASSEMBLY

REF. NO.	PART NO.	SYM.	QTY.	DESCRIPTION
1	22944A1		1,1,1,1,1,	CHOKE ASSEMBLY
-	17-23034		1,1,1,1,1,	GROVE PIN, BODY
2	1399-449		1,1,1,1,1,	SHAFT ASSEMBLY
3	1399-450		1,1,1,1,1,	SHUTTER
4	10-23035		1,1,1,1,1,	SCREW AND LOCKWASHER, CHOKE SHUTTER
5	1399-451		1,1,1,1,1,	PLUG, FRICTION
6	24-23233		1,1,1,1,1,	SPRING, FRICTION PLUG
7	1399-453		1,1,1,1,1,	PLUG SCREW, FRICTION
8	24829		1,1,1,1,1,	ROD,M CHOKE
9	18-20180		1,1,1,1,1,	COTTER PIN, CHOKE ROD TO SHAFT ASSEMBLY
10	22274		1,1,1,1,1,	KNOB, CHOKE
11	11-21923		1,1,1,1,1,	NUT, CHOKE ROD STOP
12	10-23702		2,2,2,2,2,	SCREW, CHOKE ASSEMBLY TO BAFFLE
	10-28712		,,,,,,2	SCREW, CHOKE ASSEMBLY TO BAFFLE
13	13-26996		2,2,2,2,2,	LOCKWASHER, CHOKE ASSEMBLY TO BAFFLE SCREW
14	23918		1,1,1,1,1,	KNOB, NEUTRAL
15	22872		1,1,1,1,1,	CAM, NEUTRAL
16	22873		1,1,1,1,1,	ROD, NEUTRAL
17	54-22900		1,1,1,1,1,	CLEVIS CLIP, NEUTRAL ROD

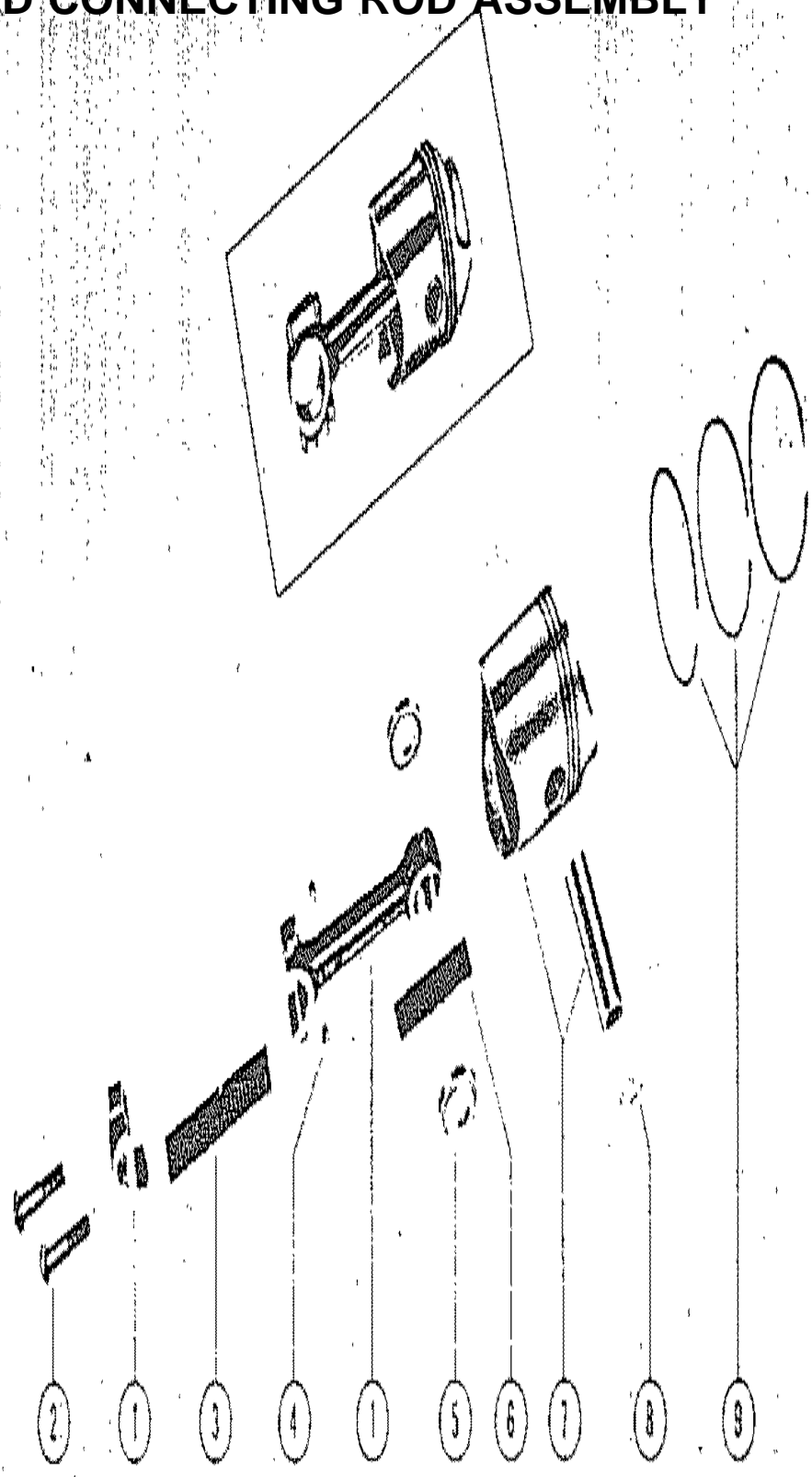
CYLINDER BLOCK ASSEMBLY



CYLINDER BLOCK ASSEMBLY

REF. NO.	PART NO.	SYM.	QTY.	DESCRIPTION
1	10-22387		4,4,4,4,4,	SCREW, CYLINDER BLOCK COVER (1")
	10-22387		6,6,6,6,6,	SCREW, CYLINDER BLOCK COVER (1")
	10-22958		2,,,,,	SCREW, CYLINDER BLOCK COVER (1 1/8")
2	12-20128		6,6,6,6,6,	WASHER, CYLINDER BLOCK COVER SCREW
3	11-20645		6,6,6,6,6,	NUT, CYLINDER BLOCK COVER SCREW
4	1004-410		1,1,1,1,1,	COVER, CYLINDER BLOCK
5	27-22655		1,1,1,1,1,	GASKET, CYLINDER BLOCK COVER TO CYLINDER BLOCK
6	23-24806		2,2,2,2,2,	BUSHING, CYLINDER BLOCK COVER
8	54-22595		2,2,2,2,2,	CLIP, IGNITION WIRE
	809-380A5		1,1,1,1,1,	CYLINDER BLOCK ASSEMBLY
-	19-21688		2,2,2,2,2,	WELCH PLUG (1/2")
-	19-22579		3,3,3,3,3,	WELCH PLUG (3/8")
9	32-22607		1,1,1,1,1,	TUBE, BLEEDER-CYLINDER BLOCK
10	54-22577		1,1,1,1,1,	CLIP, BLEEDER TUBE
11	13-26996		3,3,3,3,3,	LOCKWASHER, BRACKET TO CYLINDER BLOCK SCREW
12	10-22444		3,3,3,3,3,	SCREW, CONTROL BRACKET TO CYLINDER BLOCK
	10-28708		,,,,,3	SCREW, CONTROL BRACKET TO CYLINDER BLOCK
13	20995A2		1,1,1,1,1,	PIVOT AND LINK LEVER ASSEMBLY
14	17-22515		2,2,2,2,2,	PIN, ROLL-PIVOT AND LINK LEVER TO BRACKET
15	54-22808		1,1,1,1,1,	CLAMP, CONTROL CABLE
16	10-21278		2,2,2,2,2,	SCREW, CONTROL CABLE CLAMP
17	27-22656		1,1,1,1,1,	GASKET, INTAKE COVER PLATE TO CYLINDER BLOCK
18	23534		1,1,1,1,1,	PLATE, INTAKE COVER
19	54-22517		1,1,1,1,1,	CLIP, CONTROL CABLE GUIDE TUBE
20	10-22657		1,1,1,1,1,	SCREW, INTAKE COVER PLATE TO CYLINDER BLOCK (3/4")
	10-28789		,,,,,1	SCREW, INTAKE COVER PLATE TO CYLINDER BLOCK (3/4")
21	10-22444		2,2,2,2,2,	SCREW, INTAKE COVER PLATE TO CYLINDER BLOCK (1/2")
	10-20665		,,,,,2	SCREW, INTAKE COVER PLATE TO CYLINDER BLOCK (1/2")
22	12-20128		3,3,3,3,3,	WASHER, INTAKE COVER PLATE SCREW
23	22-22947		1,1,1,1,1,	ELBOW, INTAKE COVER PLATE TO PRESSURE LINE
24	22322		1,1,1,1,1,	SLEEVE, COMPRESSION
25	11-22645		1,1,1,1,1,	NUT, COMPRESSION
26	32-22585		1,1,1,1,1,	TUBING, CONTROL CABLE GUIDE (UPPER END)
27	27-22518		1,1,1,1,1,	GASKET, CYLINDER BLOCK TO CRANKCASE
28	10-22658		1,1,1,1,1,	SCREW, CYLINDER BLOCK TO CRANKCASE (2 3/8")
29	10-20653		3,3,3,3,3,	SCREW, CYLINDER BLOCK TO CRANKCASE (1")
30	10-22660		1,1,1,1,1,	SCREW, CYLINDER BLOCK TO CRANKCASE (1 3/4")
31	10-22659		1,1,1,1,1,	SCREW, CYLINDER BLOCK TO CRANKCASE (1 5/8")
32	12-20583		6,6,6,,,	WASHER, CYLINDER BLOCK TO CRANKCASE SCREW
	12-20583		,,,7,7,	WASHER, CYLINDER BLOCK TO CRANKCASE SCREW
33	11-21825		6,6,6,6,6,	NUT, CYLINDER BLOCK TO CRANKCASE SCREW

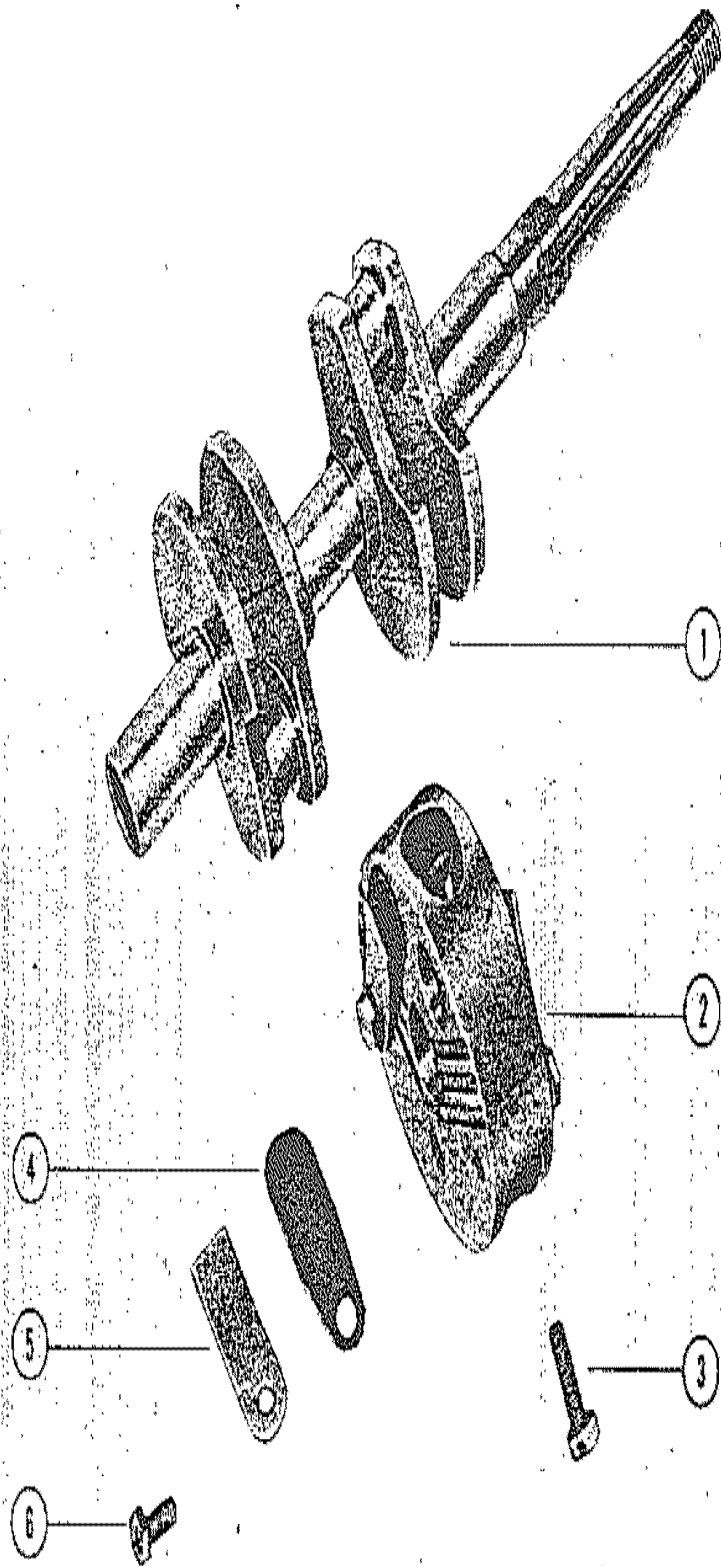
PISTON AND CONNECTING ROD ASSEMBLY



PISTON AND CONNECTING ROD ASSEMBLY

REF. NO.	PART NO.	SYM.	QTY.	DESCRIPTION
1	605-378A1		2,2,2,2,2,2,	CONNECTING ROD ASSEMBLY
2	10-21637		4,4,4,4,4,4,	SCREW, CONNECTING ROD
3	29-22591		46,46,46,4,	NEEDLE BEARING, CRANKPIN
4	11-20565		4,4,4,4,4,4,	NUT, CONNECTING ROD SCREW
5	12-22592		4,4,4,4,4,4,	WASHER, NEEDLE BEARING RETAINING
6	29-22591		34,34,34,3,	NEEDLE BEARING, PISTON PIN
7	703-379A1		2,2,2,2,2,2,	PISTON AND PISTON PIN ASSEMBLY
8	40-22652		4,4,4,4,4,4,	LOCK RING, PISTON PIN
9	39-22593		6,6,6,6,6,6,	PISTON RING

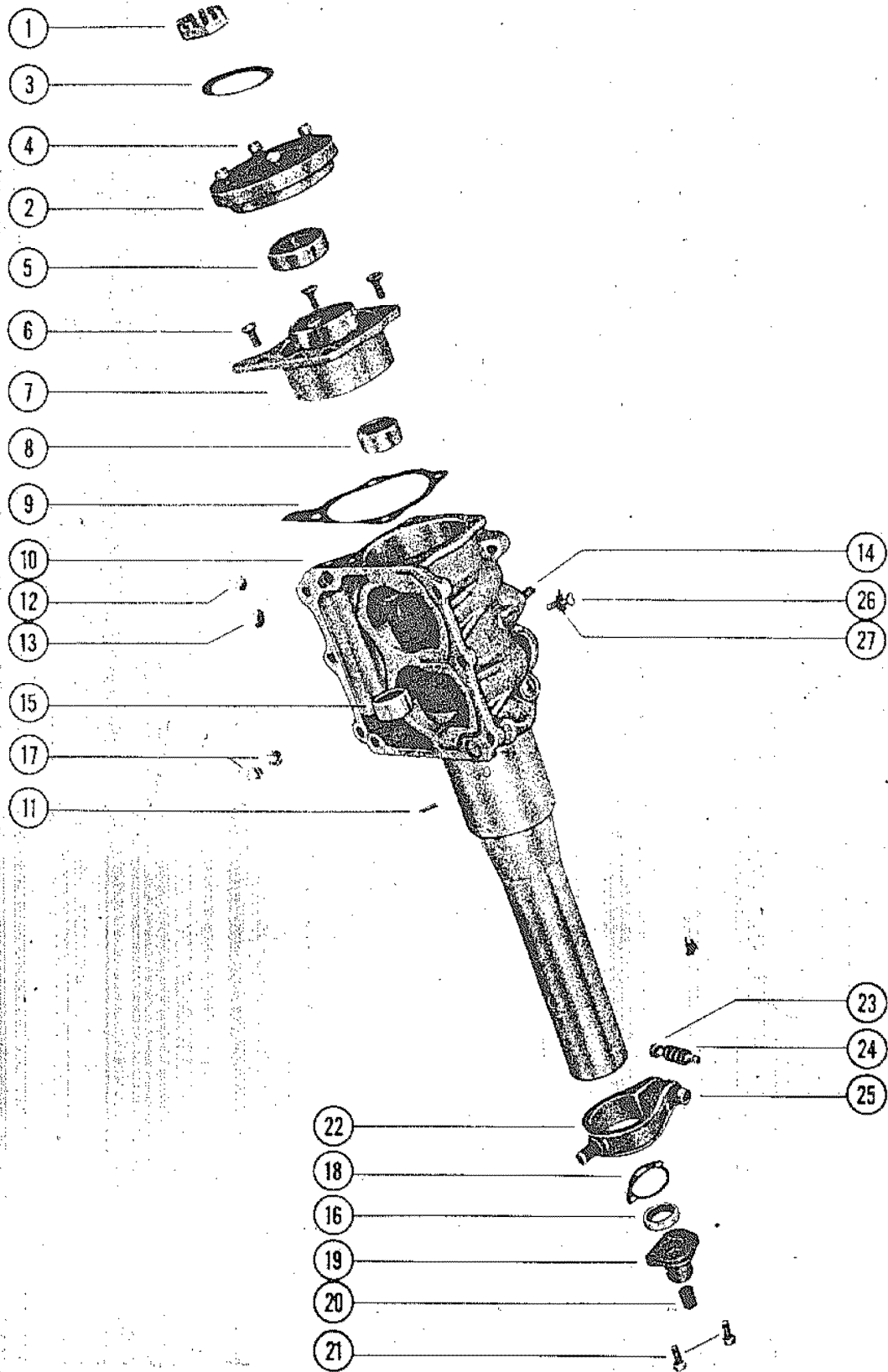
CRANKSHAFT AND CENTER MAIN BEARING



CRANKSHAFT AND CENTER MAIN BEARING

REF. NO.	PART NO.	SYM.	QTY.	DESCRIPTION
1	409-388		1,1,1,1,1,	CRANKSHAFT
2	511-386		1,1,1,1,1,	CENTER MAIN BEARING
3	10-22587		2,2,2,2,2,	SCREW, CENTER MAIN BEARING CLAMPING
4	34-23087		1,1,1,1,1,	REED SET, MATCHED
5	34-21721		4,4,4,4,4,	PLATE, REED STOP
6	10-21296		4,4,4,4,4,	SCREW, REED STOP PLATE ATTACHING

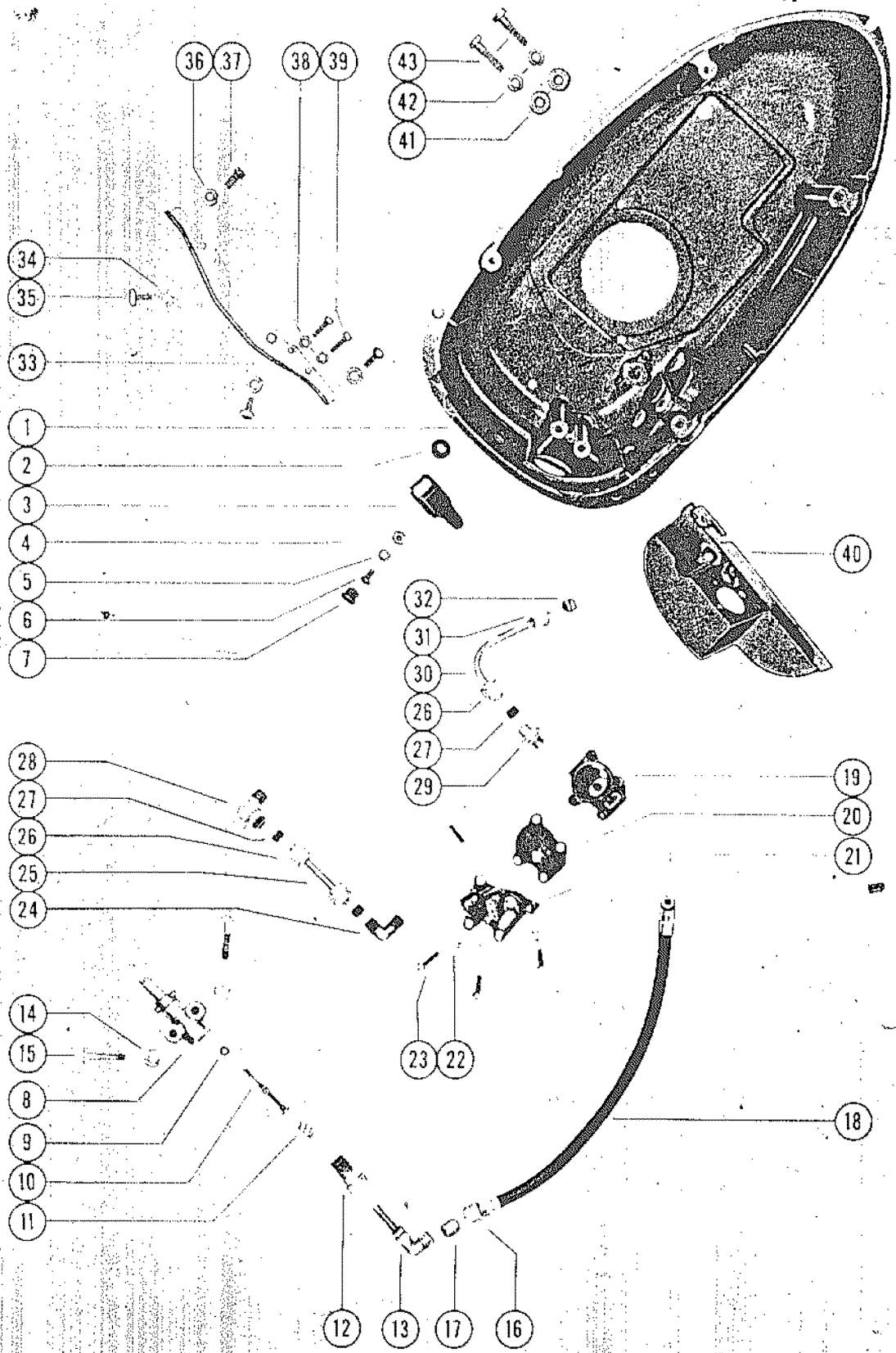
CRANKCASE AND BEARING HOUSING ASSEMBLY



CRANKCASE AND BEARING HOUSING ASSEMBLY

REF. NO.	PART NO.	SYM.	QTY.	DESCRIPTION
1	11-22801		1,1,1,1,1,	NUT, BEARING LOCK
2	1110-265		1,1,1,1,1,	CAP, BEARING HOUSING
3	12-22646		1,1,1,1,1,	WASHER, UPPER BEARING (DISHED THRUST)
4	10-22651		4,4,4,4,4,	SCREW, BEARING HOUSING CAP TO BEARING HOUSING
5	30-21710		1,1,1,1,1,	BALL BEARING, UPPER BEARING HOUSING
-	15-20919		AR,AR,AR,A	SHIM, BALL BEARING TO BEARING HOUSING (.002-3-5)
6	10-22589		4,4,4,4,4,	SCREW, UPPER BEARING HOUSING TO CRANKCASE
7	1121-414A2		1,1,1,1,1,	BEARING HOUSING ASSEMBLY, UPPER
8	31-21638		1,1,1,1,1,	ROLLER BEARING, UPPER BEARING HOUSING
9	27-22852		1,1,1,1,1,	GASKET, UPPER BEARING HOUSING TO CRANKCASE
10	913-955A3		1,1,1,1,1,	CRANKCASE ASSEMBLY
	913-1494A3		,,,,,,1	CRANKCASE ASSEMBLY
11	17-22642		2,2,2,2,2,	PIN, GROOVE-CRANKCASE TO PIVOT TUBE
12	19-22579		1,1,1,1,1,	WELCH PLUG (3/8")
13	19-21688		1,1,1,1,1,	WELCH PLUG (1/2")
14	16-21723		2,2,2,2,2,	STUD, CARBURETOR MOUNTING
15	31-22640		1,1,1,1,1,	ROLLER BEARING, CRANKCASE
	31-28631		,,,,,,1	ROLLER BEARING, CRANKCASE
16	26-22580		1,1,1,1,1,	OIL SEAL, WATER INLET CAP
17	22-21290		2,2,2,2,2,	PLUG, PIPE
18	27-21719		1,1,1,1,1,	GASKET, WATER INLET CAP
19	22582A1		1,1,1,1,1,	WATER INLET CAP ASSEMBLY
20	23-22583		1,1,1,1,1,	BUSHING, WATER INLET CAP
-	13-26996		2,2,2,2,2,	LOCKWASHER, WATER INLET CAP SCREW
21	10-20568		2,2,2,2,2,	SCREW, WATER INLET CAP TO BEARING HOUSING
	10-20411		,,,,,,2	SCREW, WATER INLET CAP TO BEARING HOUSING
22	22726		1,1,1,1,1,	RING, CO-PILOT
23	10-22728		1,1,1,1,1,	SCREW, CO-PILOT RING
24	24-22727		1,1,1,1,1,	SPRING, CO-PILOT RING SCREW
25	11-20890		1,1,1,1,1,	NUT, CO-PILOT RING SCREW
26	10-20665		1,1,1,1,1,	SCREW, CENTER MAIN BEARING LOCKING
27	13-21709		1,1,1,1,1,	LOCKWASHER, CENTER MAIN BEARING LOCKING SCREW

BOTTOM COWL AND FUEL PUMP ASSEMBLY

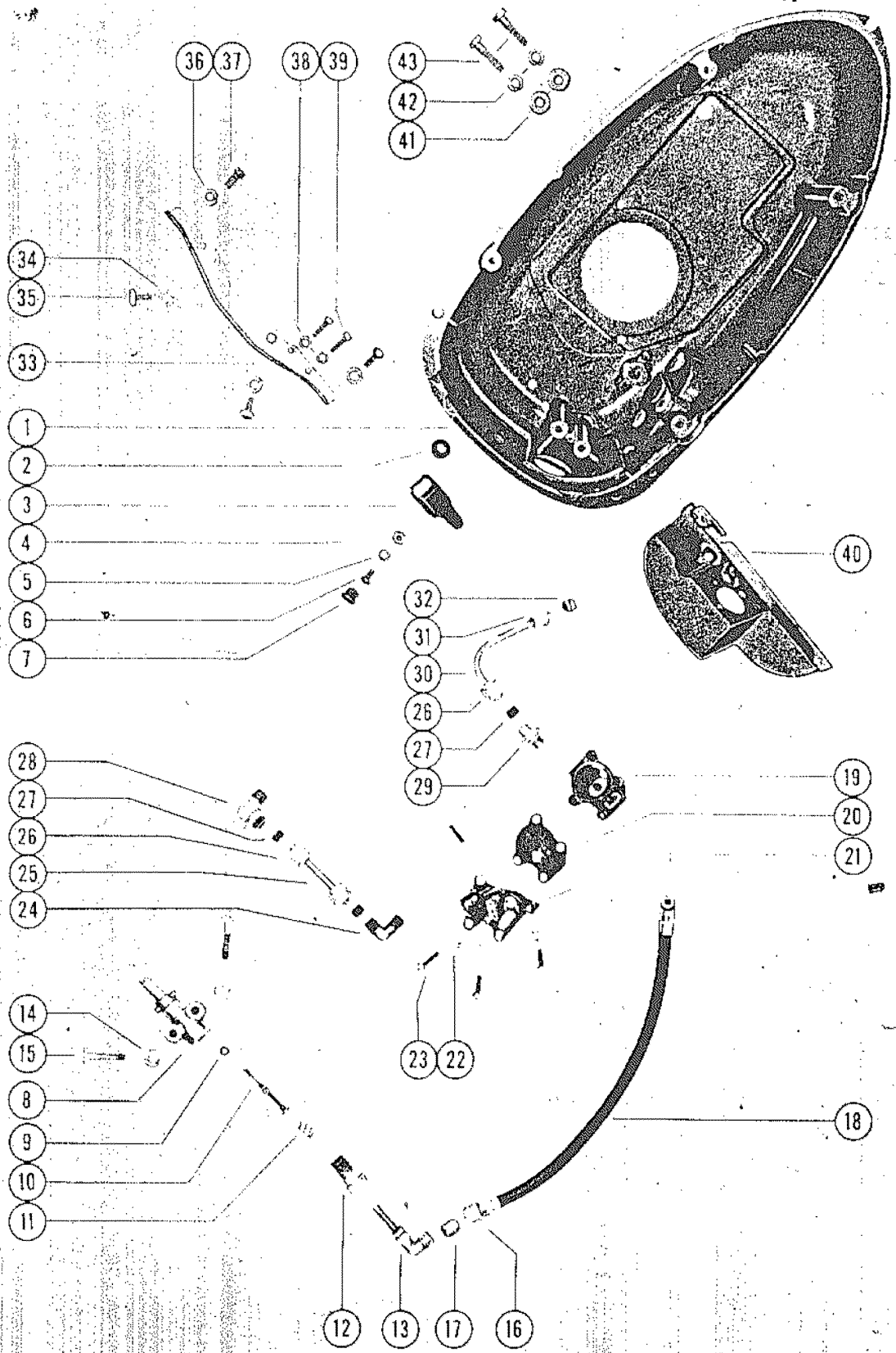


BOTTOM COWL AND FUEL PUMP ASSEMBLY

REF. NO.	PART NO.	SYM.	QTY.	DESCRIPTION
1	120-889A2		1,1,1,1,1,	BOTTOM COWL ASSEMBLY
	120-1497		,,,,,,1	COWL, BOTTOM
2	25-22940		1,1,1,1,1,	GROMMET, CHOKE ROD
3	24947A1		1,1,1,1,1,	DRAW BOLT ASSEMBLY
4	11-20645		1,1,1,1,1,	NUT, DRAW BOLT SCREW
	11-24656		,,,,,,1	NUT, DRAW BOLT SCREW
5	13-26996		1,1,1,1,1,	LOCKWASHER, DRAW BOLT SCREW
6	10-22022		1,1,1,1,1,	SCREW, DRAW BOLT ASSEMBLY TO BOTTOM COWL
	10-21296		,,,,,,1	SCREW, DRAW BOLT ASSEMBLY TO BOTTOM COWL
7	23665		1,1,1,1,1,	PLUG BUTTON, BOTTOM COWL
8	22833		1,1,1,1,1,	ADAPTOR, CHECK UNIT
9	25-20415		1,1,1,1,1,	"O" RING, ADAPTOR STEM
10	23583		1,1,1,1,1,	STEM, CHECK UNIT ADAPTOR
11	24-23582		1,1,1,1,1,	SPRING, CHECK UNIT ADAPTOR STEM
12	22967		1,1,1,1,1,	FILTER HOUSING, ADAPTOR TO ELBOW ASSEMBLY
13	22-23588A1		1,1,1,1,1,	ELBOW ASSEMBLY
14	13-26992		2,2,2,2,2,	LOCKWASHER, ADAPTOR TO BOTTOM COWL SCREW
15	10-22378		2,2,2,2,2,	SCREW, ADAPTOR TO BOTTOM COWL
	10-28714		,,,,,,2	SCREW, ADAPTOR TO BOTTOM COWL
16	11-21310		1,1,1,1,1,	NUT, FUEL LINE-ADAPTOR TO FUEL PUMP
17	23-21309		1,1,1,1,1,	SLEEVE, FUEL LINE-ADAPTOR TO FUEL PUMP
18	32-23542		1,1,1,1,1,	FUEL LINE, ADAPTOR TO FUEL PUMP
19	22932A1		1,1,1,1,1,	FUEL PUMP HOUSING ASSEMBLY
-	21-22974A1		2,2,2,2,2,	CHECK VALVE ASSEMBLY
20	22934		1,1,1,1,1,	DIAPHRAGM, FUEL PUMP
21	22933		1,1,1,1,1,	COVER, FUEL PUMP
22	13-26996		4,4,4,4,4,	LOCKWASHER, FUEL PUMP HOUSING SCREW
23	10-20411		4,4,4,4,4,	SCREW, FUEL PUMP HOUSING TO COVER
	10-28704		,,,,,,4	SCREW, FUEL PUMP HOUSING TO COVER
24	22-22987		1,1,1,1,1,	ELBOW, FUEL PUMP OUTLET
25	32-23550		1,1,1,1,1,	LINE, PRESSURE-FUEL PUMP TO INTAKE COVER
26	11-22948		3,3,3,3,3,	NUT, PRESSURE LINE TO COVER AND CARBURETOR
27	22-22946		3,3,3,3,3,	SLEEVE, PRESSURE LINE TO COVER AND CARBURETOR
28	22-22947		1,1,1,1,1,	ELOW, FUEL INLET
29	22-22949		1,1,1,1,1,	CONNECTOR, PRESSURE LINE
30	32-24787		1,1,1,1,1,	FUEL LINE, FUEL PUMP T CARBURETOR
31	11-21310		1,1,1,1,1,	NUT, FUEL LINE TO FUEL PUMP AND CARBURETOR
32	23-21309		1,1,1,1,1,	SLEEVE, FUEL LINE TO FUEL PUMP AND CARBURETOR
33	22878		1,1,1,1,1,	BRACKET, CRANKCASE TO BOTTOM COWL
34	13-26992		2,2,2,2,2,	LOCKWASHER, BRACKET TO CRAKCASE SCREW
35	10-20031		2,2,2,2,2,	SCREW, BRACKET TO CRANKCASE
	10-28709		,,,,,,2	SCREW, BRACKET TO CRANKCASE
36	13-22773		2,2,2,2,2,	LOCKWASHER, CRANKCASE BRACKET SCREW

CONTINUED ON NEXT PAGE ➡

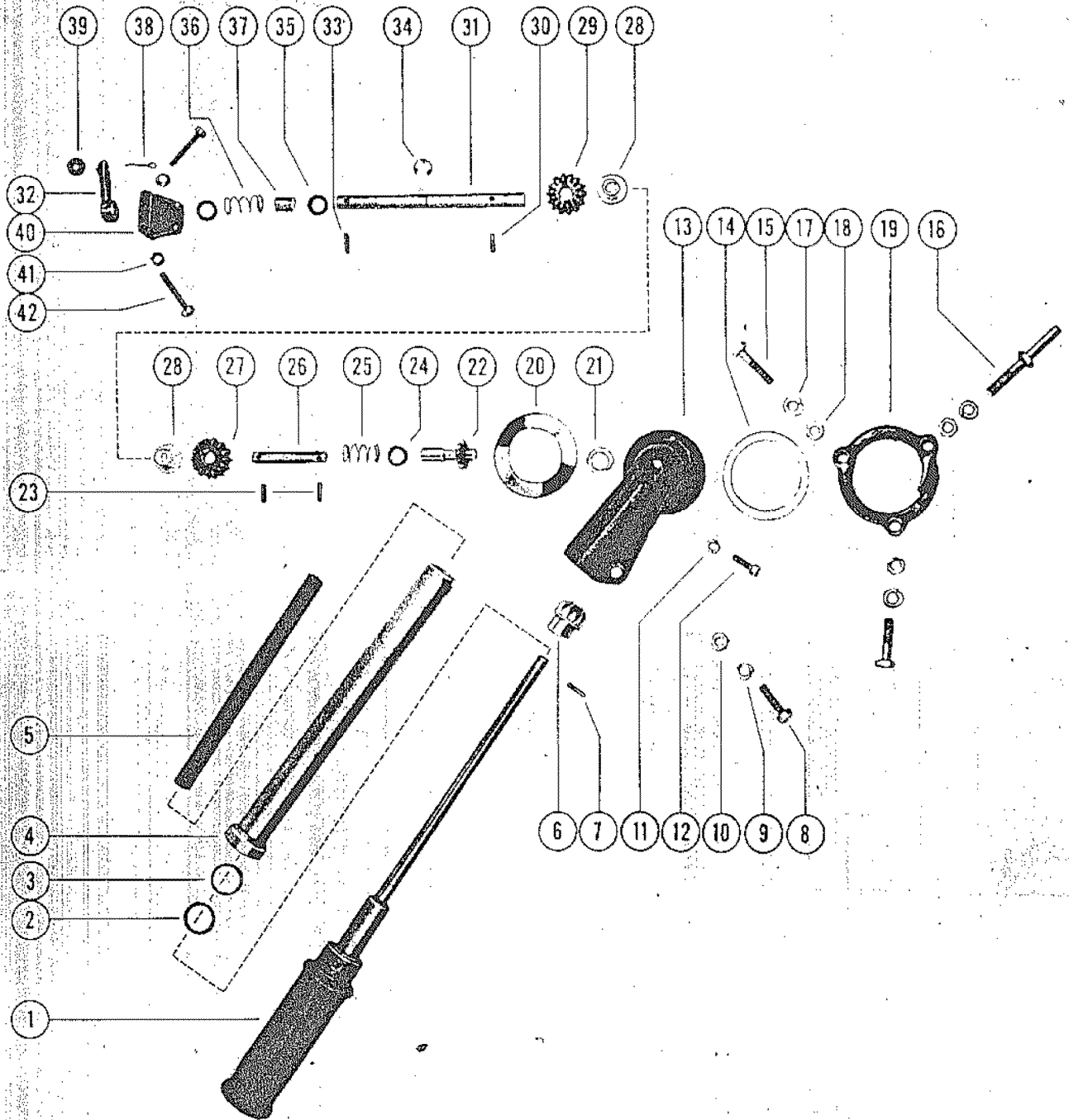
BOTTOM COWL AND FUEL PUMP ASSEMBLY



BOTTOM COWL AND FUEL PUMP ASSEMBLY

REF. NO.	PART NO.	SYM.	QTY.	DESCRIPTION
37	10-24222		2,2,2,2,2,	SCREW, CRANKCASE BRACKET TO BOTTOM COWL
	10-28713		,,,,,,2	SCREW, CRANKCASE BRACKET TO BOTTOM COWL
38	13-26996		2,2,2,2,2,	LOCKWASHER, FUEL PUMP MOUNTING SCREW
39	10-22444		2,2,2,2,2,	SCREW, FUEL PUMP TO CRANKCASE BRACKET
	10-28705		,,,,,,2	SCREW, FUEL PUMP T CRANKCASE BRACKET
40	22915A1		1,1,1,1,1,	BAFFLE ASSEMBLY
-	23-24806		2,2,2,2,2,	BUSHING, CYLINDER BLOCK COVER TO BOTTOM COWL
41	12-23538		2,2,2,2,2,	WASHER, CYLINDER CYLINDER BLOCK COVER SCREW
42	13-26992		2,2,2,2,2,	LOCKWASHER, CYLINDER BLOCK COVER SCREW
43	10-22378		2,2,2,2,2,	SCREW, CYLINDER BLOCK COVER TO BOTTOM COWL
	10-28717		,,,,,,2	SCREW, CYLINDER BLOCK COVER TO BOTTOM COWL

STEERING HANDLE ASSEMBLY

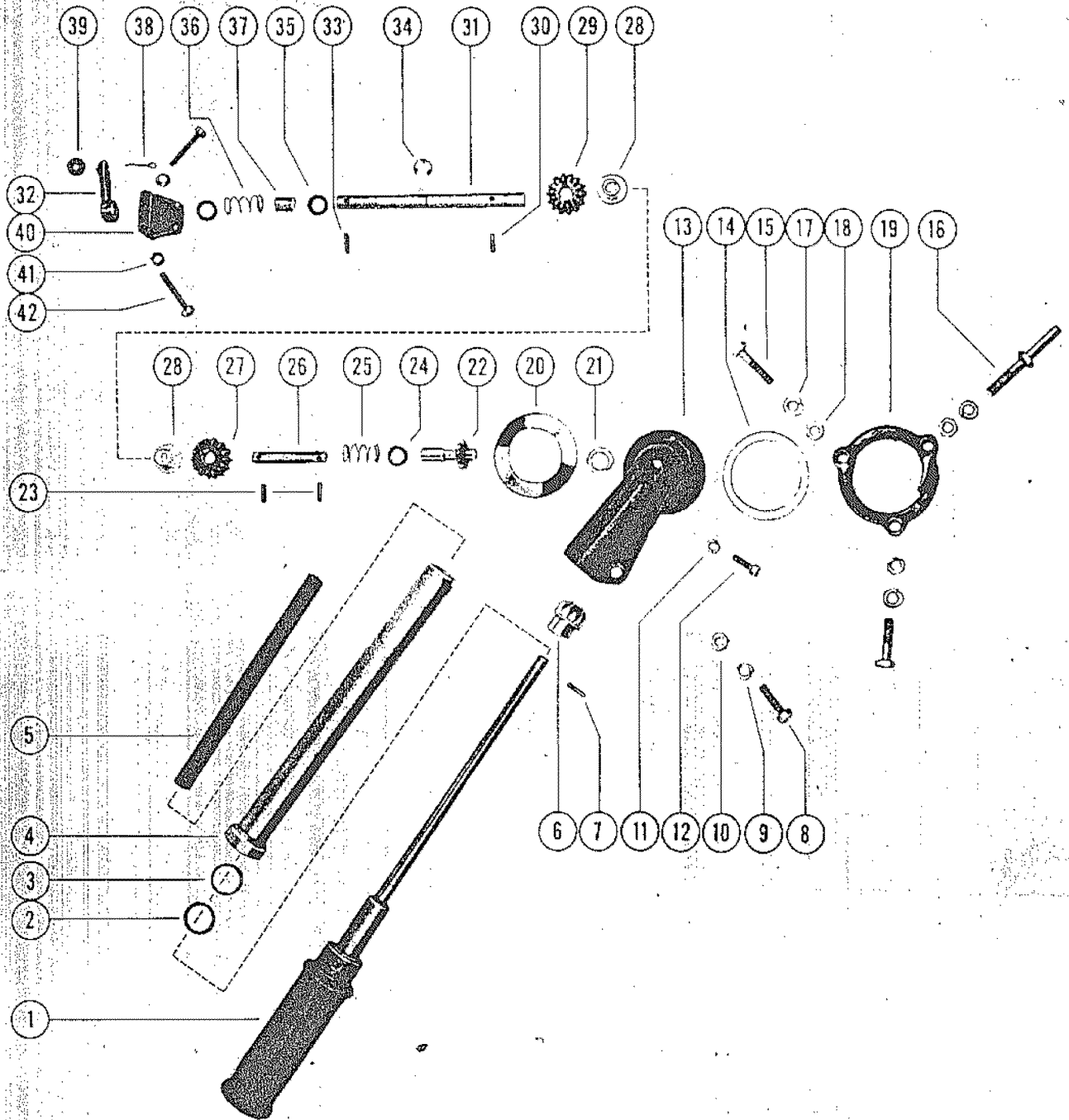


STEERING HANDLE ASSEMBLY

REF. NO.	PART NO.	SYM.	QTY.	DESCRIPTION
-	22905A4		1,1,,,,	STEERING HANDLE ASSEMBLY
-	22905A6		1,1,1,1,1	STEERING HANDLE ASSEMBLY
1	22905A1		1,1,1,1,1,	HANDLE AND GRIP ASSEMBLY
2	15-20729		AR,AR,AR,A	SHIM, GEAR TO STEERING HANDLE TUBE (.010)
3	13-20730		1,1,1,1,1,	WASHER, WAVE-GEAR TO STEERING HANDLE TUBE
4	22912A3		1,1,,,,	STEERING HANDLE TUBE ASSEMBLY
	25247A1		1,1,1,1,1	STEERING HANDLE TUBE ASSEMBLY
5	24-24941		1,1,1,1,1,	SPRING, ANTI-RATTLE
6	43-22877		1,1,1,1,1,	GEAR, STEERING HANDLE SHAFT
7	17-22896		1,1,1,1,1,	PIN, ROLL-GEAR FASTENING
8	10-22486		1,1,1,1,1,	SCREW, ELBOW CLAMPING
9	13-22773		1,1,1,1,1,	LOCKWASHER, ELBOW CLAMPING SCREW
10	11-21825		1,1,1,1,1,	NUT, ELBOW CLAMPING SCREW
	11-20184		,,,,,1	NUT, ELBOW CLAMPING SCREW
11	13-26996		1,1,1,1,1,	LOCKWASHER, ELOW TO STEERING HANDLE TUBE SCREW
12	10-20411		1,1,1,1,1,	SCREW, ELOW TO STEERING HANDLE TUBE
	10-28710		,,,,,1	SCREW, ELBOW TO STEERING HANDLE TUBE
13	22849A2		1,1,,,,	ELBOW ASSEMBLY, STEERING HANDLE
	25248A1		1,1,1,1,1	ELBOW ASSEMBLY, STEERING HANDLE
14	15-22889		1,1,1,1,1,	SHIM, RETAINING RING TO ELBOW (.015)
15	10-21091		2,2,2,2,2,	SCREW, RETAINING RING TO BOTTOM COWL
	10-20653		,,,,,2	SCREW, RETAINING RING TO BOTTOM COWL
16	10-24851		1,1,1,1,1,	BOLT, STOP-RETAINING RING TO BOTTOM COWL
17	13-26992		3,3,3,3,3,	LOCKWASHER, RETAINING RING SCREW AND STOP BOLT
18	11-20088		3,3,3,3,3,	NUT, RETAINING RING SCREW AND STOP BOLT
	11-20184		,,,,,3	NUT, RETAINING RING SCREW AND STOP BOLT
19	53-22850		1,1,1,1,1,	RING, RETAINING-ELBOW ASSEMBLY
20	13-22888		1,1,1,1,1,	WASHER, WAVE-RETAINING RING TO COWL
21	12-23022		1,1,,,,	WASHER, THRUST-GEAR TO ELBOW
	12-23736		1,1,1,1,1	WASHER, THRUST-GEAR TO ELBOW
22	43-22858A1		1,1,1,1,1,	GEAR AND COUPLING ASSEMBLY
23	17-22863		2,2,2,2,2,	PIN, ROLL-GEAR AND COUPLING T HORIZONTAL SHAFT
24	12-22894		1,1,1,1,1,	WASHER, HORIZONTAL SHAFT
25	24-22984		1,1,1,1,1,	SPRING, HORIZONTAL SHAFT
26	22893		1,1,1,1,1,	SHAFT, HORIZONTAL-SPEED CONTROL
27	43-22856		1,1,1,1,1,	GEAR, HORIZONTAL SHAFT
28	23-22981		2,2,2,2,2,	BUSHING, NYLON-HORIZONTAL AND VERTICAL SHAFT
29	43-22856		1,1,1,1,1,	GEAR, VERTICAL SHAFT
30	17-22863		1,1,1,1,1,	PIN, ROLL-GEAR TO VERTICAL SHAFT
-	22895A1		1,1,1,1,1,	VERTICAL SHAFT ASSEMBLY
31	22892		1,1,1,1,1,	SHAFT, VERTICAL
32	22895		1,1,1,1,1,	LEVER, VERTICAL SHAFT
33	17-22896		1,1,1,1,1,	PIN, ROLL-LEVER TO VERTICAL SHAFT

CONTINUED ON NEXT PAGE ➡

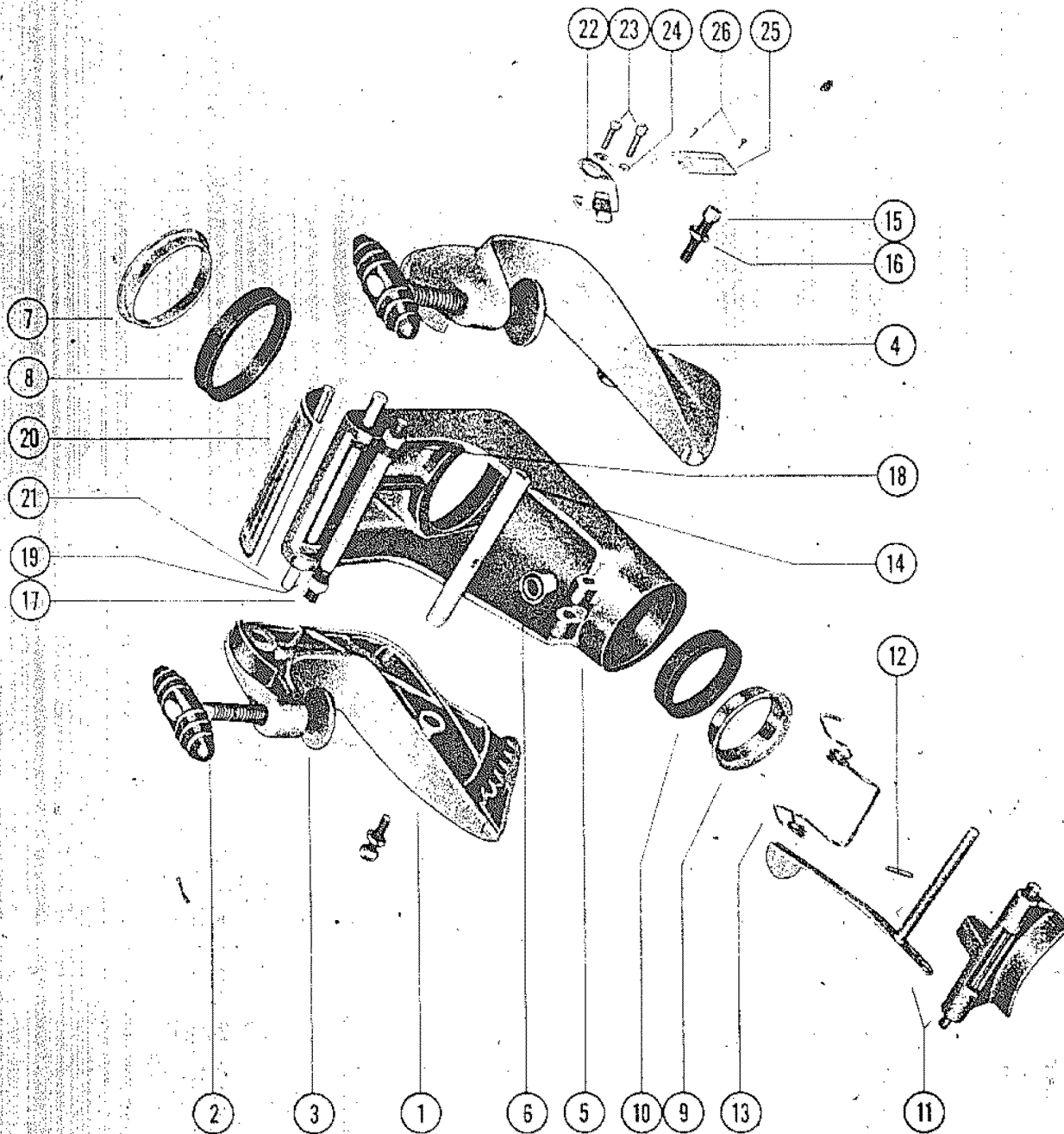
STEERING HANDLE ASSEMBLY



STEERING HANDLE ASSEMBLY

REF. NO.	PART NO.	SYM.	QTY.	DESCRIPTION
34	53-22899		1,1,1,1,1,	"E" RING, RETAINING
35	12-22894		2,2,2,2,2,	WASHER, VERTICAL SHAFT
36	24-22984		1,1,1,1,1,	SPRING, VERTICAL SHAFT
37	23-23638		1,1,1,1,1,	SLEEVE, VERTICAL SHAFT
38	18-20180		1,1,1,1,1,	COTTER PIN, MAGNETO LINK FASTENING
39	12-22907		1,1,1,1,1,	WASHER, MAGNETO LINK FASTENING
40	22982		1,1,1,1,1,	SUPPORT, VERTICAL SHAFT
41	13-26996		2,2,2,2,2,	LOCKWASHER, SUPPORT TO CRANKCASE BRACKET SCREW
42	10-23015		2,2,2,2,2,	SCREW, SUPPORT TO CRANKCASE BRACKET
	10-28711		,,,,,,2	SCREW, SUPPORT TO CRANKET BRACKET

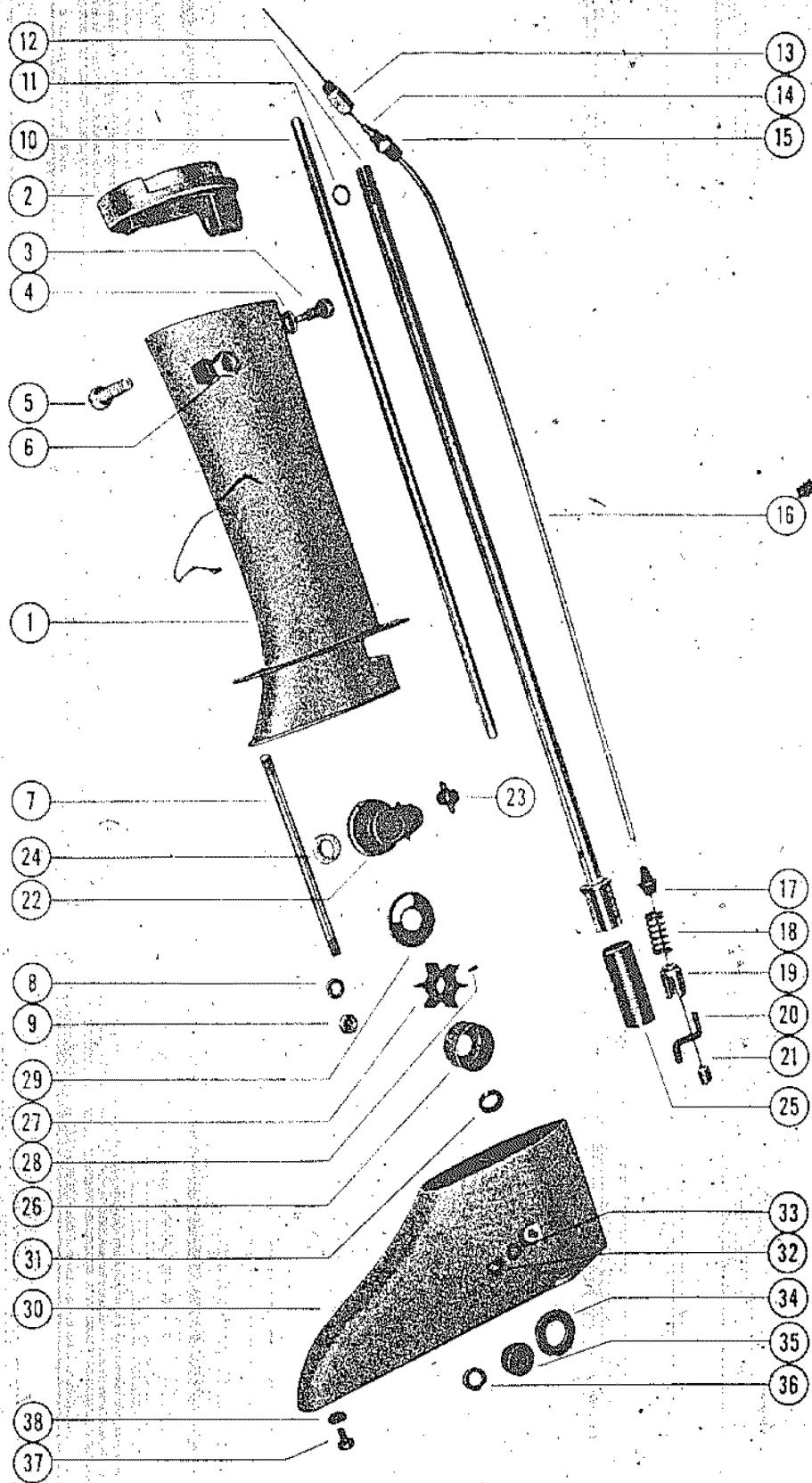
CLAMP AND SWIVEL BRACKET ASSEMBLY



CLAMP AND SWIVEL BRACKET ASSEMBLY

REF. NO.	PART NO.	SYM.	QTY.	DESCRIPTION
1	1411-407A2		1,,,,,	CLAMP BRACKET ASSEMBLY (STARBOARD SIDE)
	1411-409A4		1,1,1,1,1	CLAMP BRACKET ASSEMBLY (STARBOARD SIDE)
2	24876A1		1,,,,,	THUMB SCREW ASSEMBLY
	22373A1		1,1,1,1,1	THUMB SCREW ASSEMBLY
3	12-20214		1,1,1,1,1	WASHER, THUMB SCREW
4	1410-406A2		1,,,,,	CLAMP BRACKET ASSEMBLY (PORT SIDE)
	1410-408A2		1,1,1,1,1	CLAMP BRACKET ASSEMBLY (PORT SIDE) -
2	24876A1		1,,,,,	THUMB SCREW ASSEMBLY
	22373A1		1,1,1,1,1	THUMB SCREW ASSEMBLY
3	12-20214		1,1,1,1,1	WASHER, THUMB SCREW
5	1409-427A3		1,1,1,1,1	SWIVEL BRACKET ASSEMBLY
	109-1496A1		,,,,,1	SWIVEL BRACKET ASSEMBLY
6	23-22701		1,1,1,1,1	BUSHING, CO-PILOT RING
7	23-22704		1,1,1,1,1	SHELL, UPPER CO-PILOT BUSHING
8	22705		1,1,1,1,1	RING, UPPER CO-PILOT BUSHING
9	23-22706		1,1,1,1,1	SHELL, LOWER CO-PILOT BUSHING
10	22707		1,1,1,1,1	RING, LOWER CO-PILOT BUSHING
11	22709A2		1,1,1,1,1	SHOE LATCH AND LEVER ASSEMBLY
	28741A1		,,,,,1	SHOE LATCH AND LEVER ASSEMBLY
12	17-22515		1,1,1,1,1	PIN, ROLL
13	24-22711		1,1,1,1,1	SPRING, TILT LOCK
14	22686		1,1,1,1,1	ROD, TIE
15	10-20482		2,2,2,2,2	SCREW, TIE ROD
	10-28715		,,,,,2	SCREW, TIE ROD
16	13-26992		2,2,2,2,2	LOCKWASHER, TIE ROD SCREW
17	16-22687		1,1,1,1,1	STUD, TIE
-	15-28835		,,,,,2	SHIM, CLAMP BRACKET TO SWIVEL BRACKET
18	11-22688		1,1,1,1,1	NUT, TIE STUD (LEFT HAND THREAD)
19	11-22046		1,1,1,1,1	NUT, TIE STUD (RIGHT HAND THREAD)
20	22699		1,1,1,1,1	PLATE, COVER
21	17-22700		1,1,1,1,1	PIN, SWIVEL BRACKET TO CLAMP BRACKET PIVOT
22	54-22969		1,1,1,1,1	TAB, SAFETY CHAIN AND BOTTLE OPENER
23	10-20401		2,2,2,2,2	SCREW, SAFETY CHAIN TAB TO SWIVEL BRACKET
	10-28716		,,,,,2	SCREW, SAFETY CHAIN TAB TO SWIVEL BRACKET
24	13-26996		2,2,2,2,2	LOCKWASHER, SAFETY CHAIN TAB SCREW
25	38-24830		1,1,1,1,1	SERIAL PLATE
	38-28781		,,,,,1	SERIAL PLATE
26	10-20314		2,2,2,2,2	SCREW, DRIVE-SERIAL PLATE TO SWIVEL BRACKET

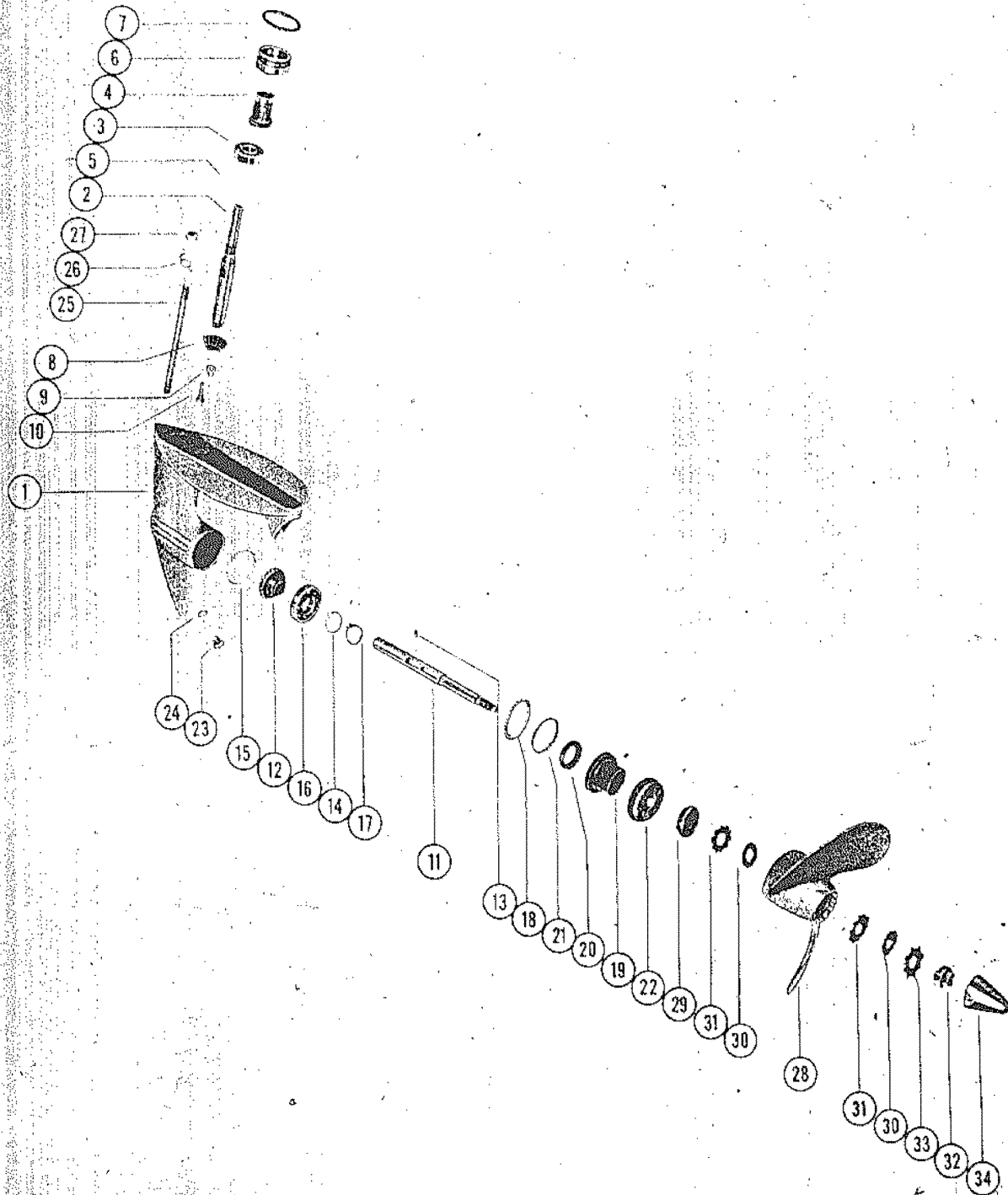
DRIVE SHAFT HOUSING



DRIVE SHAFT HOUSING

REF. NO.	PART NO.	SYM.	QTY.	DESCRIPTION
1	1508-394		1,1,1,1,1,	DRIVE SHAFT HOUSING UPPER
2	22752		1,1,1,1,1,	TOP DRIVE SHAFT HOUSING
3	10-22729		1,1,1,1,1,	SCREW DRIVE SHAFT HOUSING
4	13-20202		1,1,1,1,1,	LOCKWASHER DRIVE SHAFT HOUSING TOP SCREW
5	10-22730		1,1,1,1,1,	SCREW CLAMPING
6	11-22053		1,1,1,1,1,	NUT CLAMPING SCREW
7	16-22731		1,1,1,1,1,	STUD DRIVE SHAFT HOUSING TO GEAR HOUSING
8	13-26992		1,1,1,1,1,	LOCKWASHER DRIVE SHAFT HOUSING STUD
9	11-21825		1,1,1,1,1,	NUT DRIVE SHAFT HOUSING STUD
	11-20184		,,,,,,1	NUT DRIVE SHAFT HOUSING STUD
10	32-22732		1,1,1,1,1,	PIPE WATER INLET
11	25-21720		1,1,1,1,1,	O RING UPPER DRIVE SHAFT
12	45-22737A1		1,1,1,1,1,	DRIVE SHAFT ASSEMBLY UPPER
13	22-22586		1,1,1,1,1,	CONNECTOR UPPER GUIDE TUBE
14	22322		1,1,1,1,1,	SLEEVE COMPRESSION
15	22-22644		1,1,1,1,1,	CONNECTOR LOWER GUIDE TUBE TO CRANKCASE
16	32-22584A1		1,1,1,1,1,	TUBE ASSEMBLY CONTROL CABLE GUIDE
17	22749		1,1,1,1,1,	CONE SEAL
18	24-22754		1,1,1,1,1,	SPRING TRIP FINGER
19	22744		1,1,1,1,1,	HOUSING TRIP FINGER
20	22745		1,1,1,1,1,	FINGER TRIP
21	22750		1,1,1,1,1,	CABLE CONTROL
22	22733A1		1,1,1,1,1,	PILOT CAP ASSEMBLY
23	23-22583		1,1,1,1,1,	BUSHING PILOT CAP
24	26-22734		1,1,1,1,1,	OIL SEAL PILOT CAP
25	24-22763		1,1,1,1,1,	SPRING CLUTCH
26	46-22741		1,1,1,1,1,	HOUSING WATER PUMP
27	47-22748		1,1,1,1,1,	IMPELLER WATER PUMP
28	17-22060		1,1,1,1,1,	PIN IMPELLER DRIVE
29	22743		1,1,1,1,1,	COVER WATER PUMP HOUSING
30	1509-395A2		1,1,1,1,1,	DRIVE SHAFT HOUSING ASSEMBLY LOWER
31	26-30913		1,1,1,1,1,	OIL SEAL LOWER DRIVE SHAFT HOUSING
32	10-28653		1,1,1,1,1,	SCREW VENT
33	12-20262		1,1,1,1,1,	WASHER VENT SCREW
34	12-22739		1,1,1,1,1,	WASHER THRUST
35	22747		1,1,1,1,1,	PLUG TRIP FINGER CHAMBER
36	25-20034		1,1,1,1,1,	O RING TRIP FINGER CHAMBER PLUG
37	10-28713		1,1,1,1,1,	SCREW ANTI-CAVITATION PLATE
38	13-22773		1,1,1,1,1,	LOCKWASHER ANTI-CAVITATION PLATE

GEAR HOUSING ASSEMBLY

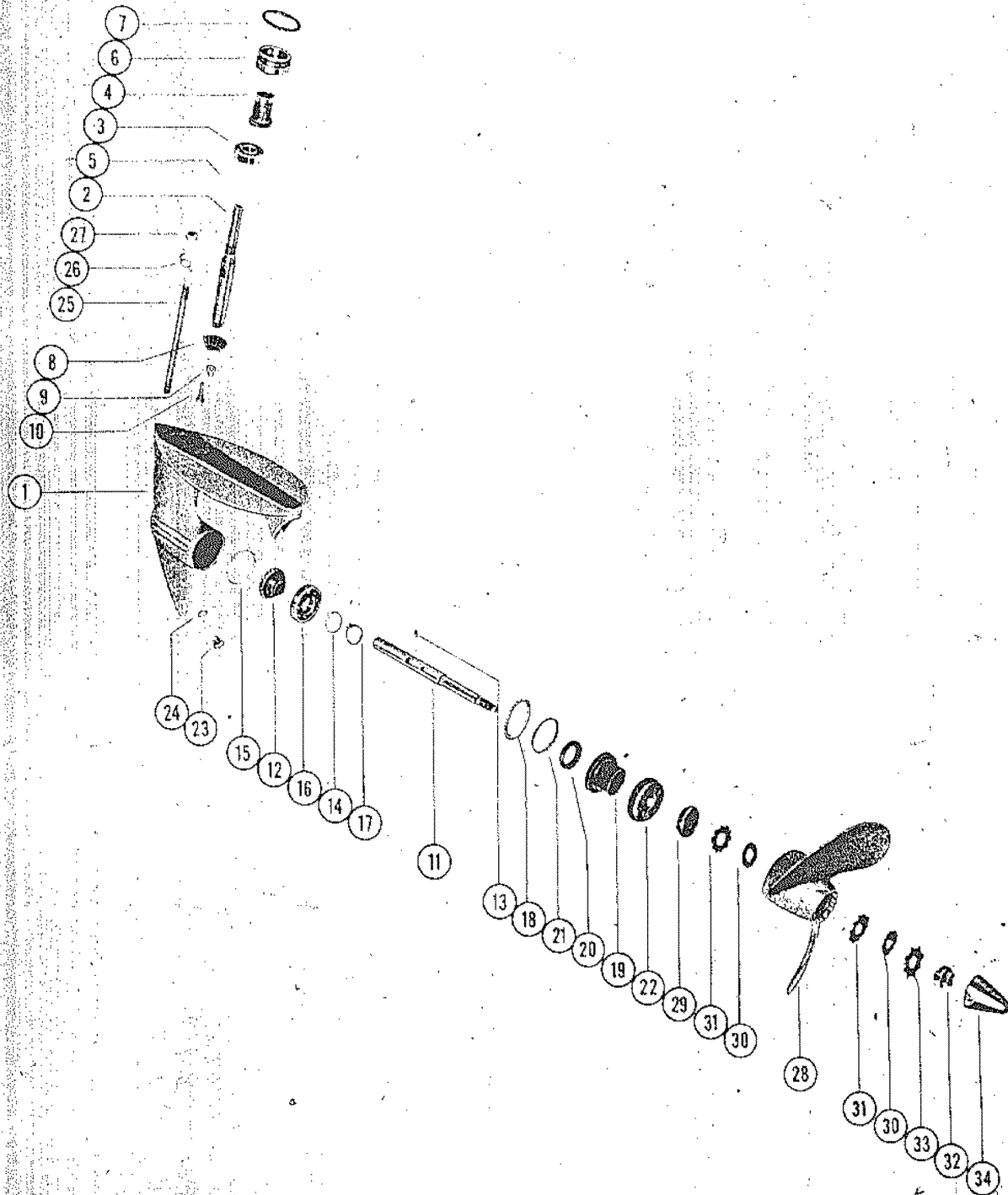


GEAR HOUSING ASSEMBLY

REF. NO.	PART NO.	SYM.	QTY.	DESCRIPTION
-	1607-396A7		1,,,,,	GEAR HOUSING ASSEMBLY COMPLETE (LESS PROPELLER)
-	1607-400A3		1,1,1,1,1	GEAR HOUSING ASSEMBLY COMPLETE (LESS PROPELLER)
1	1607-400A2		1,1,1,1,1,	GEAR HOUSING ASSEMBLY
	31-22755		1,1,1,1,1,	ROLLER BEARING PROPELLER SHAFT
	31-22756		1,1,1,1,1,	ROLLER BEARING DRIVE SHAFT
	23-23756		1,,,,,	SPACER BALL BEARING TO GEAR HOUSING
2	45-22758		1,1,1,1,1,	DRIVE SHAFT
3	30-25124		1,1,1,1,1,	BALL BEARING DRIVE SHAFT
4	52-22760		1,1,1,1,1,	CLUTCH DRUM
5	15-22759A1		AR,AR,AR,A	SHIM BALL BEARING TO GEAR HOUSING (.002-3-5)
6	23-22761		1,1,1,1,1,	SPACER BALL BEARING TO DRIVE SHAFT
7	25-22762		1,1,1,1,1,	O RING GEAR HOUSING SEAL
8&12	43-24969A1		1,1,1,1,1,	GEAR ASSEMBLY PINION AND PROPELLER
9	13-22764		1,1,1,1,1,	LOCKWASHER PINION GEAR SCREW
10	10-21874		1,1,1,1,1,	SCREW PINION GEAR TO DRIVE SHAFT
11	44-24463		1,1,1,1,1,	PROPELLER SHAFT
13	17-22410		1,1,1,1,1,	PIN PROPELLER GEAR TO PROPELLER SHAFT
	23-23926		1,,,,,	SPACER BALL BEARING TO PROPELLER GEAR
14	15-22765A1		AR,AR,AR,A	SHIM BALL BEARING TO PROPELLER GEAR (.003-5-7)
15	15-22369A1		AR,AR,AR,A	SHIM BALL BEARING TO GEAR HOUSING (.002-3-5-10)
16	30-21776		1,,,,,	BALL BEARING PROPELLER SHAFT
	30-22351		1,1,1,1,1,	BALL BEARING PROPELLER SHAFT
17	53-22368		1,1,1,1,1,	RING SNAP - BALL BEARING TO PROPELLER SHAFT
18	12-22768		1,1,1,1,1,	WASHER SEALING - WATER INTAKE HOUSING
19	22769A1		1,1,1,1,1,	WATER INTAKE HOUSING ASSEMBLY
20	26-22058		1,1,1,1,1,	OIL SEAL WATER INTAKE HOUSING
21	25-20812		1,1,1,1,1,	WASHER WATER INTAKE HOUSING
22	22771		1,1,1,1,1,	COVER GEAR HOUSING
23	10-22066		1,1,1,1,1,	SCREW GREASE FILLER HOLE
	10-28634		,,,,,,1	SCREW GREASE FILLER HOLE
24	12-20260		1,1,1,1,1,	WASHER GREASE FILLER HOLE SCREW
25	16-22772		1,1,1,1,1,	STUD GEAR HOUSING TO DRIVE SHAFT HOUSING
26	14-20747		1,1,1,1,1,	TAB WASHER GEAR HOUSING STUD
27	11-20083		1,1,1,1,1,	NUT GEAR HOUSING STUD
	11-25594		,,,,,,1	NUT GEAR HOUSING STUD
28	48-25774		1,1,1,1,1,	PROPELLER
29	52-24455		1,1,1,1,1,	PLATE CLUTCH THRUST
30	24464		8,8,8,8,8,	DISC FRICTION (PROPELLER SHAFT)

CONTINUED ON NEXT PAGE ➡

GEAR HOUSING ASSEMBLY



GEAR HOUSING ASSEMBLY

REF. NO.	PART NO.	SYM.	QTY.	DESCRIPTION
31	24465		8,8,8,8,8,	DISC FRICTION (PROPELLER HUB)
32	24-24458		1,1,1,1,1,	SPRING COMPRESSION
	15-23544A1		AR,AR,AR,A	SHIM PROPELLER CLUTCH (.015-31)
33	14-24461		1,1,1,1,1,	TAB WASHER PROPELLER NUT
34	11-24462		1,1,1,1,1,	NUT PROPELLER

PARTS INDEX

Part Number	Description	Pg.	Ref. No.	Part Number	Description	Pg.	Ref. No.
20119	PROTECTOR, SPARK PLUG	9	34	22878	BRACKET, CRANKCASE TO		
20596A2	THROTTLE LEVER				BOTTOM COWL	27	33
	ASSEMBLY	15	31	22892	SHAFT, VERTICAL	31	31
20623	MARKER, "TOP" - LEAD			22893	SHAFT, HORIZONTAL-		
	WIRE	9	27		SPEED CONTROL	31	26
20662	HANDLE, STARTER CABLE .	7	17	22895	LEVER, VERTICAL SHAFT .	31	32
20721	BUMPER, RUBBER - TOP			22895A1	VERTICAL SHAFT		
	COWL	5	6		ASSEMBLY	31	-
20721	BUMPER,RUBBER - TOP			22904A1	LIMIT PLATE AND LINK		
	COWL	3	6		ASSEMBLY	11	43
20793	MAGNET, STARTER PAWL .	7	--	22905A1	HANDLE AND GRIP		
20995A2	PIVOT AND LINK LEVER				ASSEMBLY	31	1
	ASSEMBLY	19	13	22905A4	STEERING HANDLE		
21041	INSERT, TAP LOCK	3	2		ASSEMBLY	31	-
21041	INSERT, TAP LOCK	5	2	22905A6	STEERING HANDLE		
22274	KNOB, CHOKE	17	10		ASSEMBLY	31	-
22322	SLEEVE COMPRESSION . . .	37	14	22912A3	STEERING HANDLE TUBE		
22322	SLEEVE, COMPRESSION . .	19	24		ASSEMBLY	31	4
22373A1	THUMB SCREW ASSEMBLY	35	2	22915A1	BAFFLE ASSEMBLY	29	40
22373A1	THUMB SCREW ASSEMBLY	35	2	22932A1	FUEL PUMP HOUSING		
22582A1	WATER INLET CAP				ASSEMBLY	27	19
	ASSEMBLY	25	19	22933	COVER, FUEL PUMP	27	21
22674A1	THROTTLE CAM ASSEMBLY	9	37	22934	DIAPHRAGM, FUEL PUMP .	27	20
22680	RATCHET, STARTER	7	13	22944A1	CHOKE ASSEMBLY	17	1
22681A1	STARTER CABLE			22967	FILTER HOUSING, ADAPTOR		
	ASSEMBLY	7	11		TO ELBOW ASSEMBLY . .	27	12
22686	ROD, TIE	35	14	22982	SUPPORT, VERTICAL		
22699	PLATE, COVER	35	20		SHAFT	33	40
22705	RING, UPPER CO-PILOT			23019	CLAMP, MAGNETO		
	BUSHING	35	8		FRICTION	9	29
22707	RING, LOWER CO-PILOT			23318	GUIDE, STARTER CABLE . .	5	9
	BUSHING	35	10	23318	GUIDE,STARER CABLE . . .	3	7
22709A2	SHOE LATCH AND LEVER			23534	PLATE, INTAKE COVER . . .	19	18
	ASSEMBLY	35	11	23583	STEM, CHECK UNIT		
22726	RING, CO-PILOT	25	22		ADAPTOR	27	10
22733A1	PILOT CAP ASSEMBLY	37	22	23597A1	FLUSHING ASSEMBLY	1	-
22743	COVER WATER PUMP			23665	PLUG BUTTON, BOTTOM		
	HOUSING	37	29		COWL	27	7
22744	HOUSING TRIP FINGER . . .	37	19	23917	KNOB, FORWARD	3	26
22745	FINGER TRIP	37	20	23917	KNOB, FORWARD	5	25
22747	PLUG TRIP FINGER			23918	KNOB, NEUTRAL	17	14
	CHAMBER	37	35	23927	HANDLE, TOP COWL	3	13
22749	CONE SEAL	37	17	24078	THREAD GUARD	7	-
22750	CABLE CONTROL	37	21	24080A5	STARTER SHEAVE		
22752	TOP DRIVE SHAFT				ASSEMBLY	7	3
	HOUSING	37	2	24082	PLATE, FRICTION	7	12
22769A1	WATER INTAKE HOUSING			24085	RETAINER, STARTER PAWL	7	7
	ASSEMBLY	39	19	24169	COLLAR, SHEAVE SHAFT . .	7	9
22771	COVER GEAR HOUSING . . .	39	22	24170	SHAFT, STARTER SHEAVE .	7	2
22833	ADAPTOR, CHECK UNIT . . .	27	8	24181A1	STARTER PAWL ASSEMBLY	7	10
22849A2	ELBOW ASSEMBLY,			24464	DISC FRICTION (
	STEERING HANDLE	31	13		PROPELLER SHAFT)	39	30
22865	LEVER, TRIP - NEUTRAL . .	5	26	24465	DISC FRICTION (
22865	LEVER, TRIP - NUETRAL . .	3	27		PROPELLER HUB)	41	31
22867	DETENT, NEUTRAL	5	29	24804	END CAP, STARTER		
22867	DETENT, NUETRAL	3	30		HANDLE	7	18
22869	RETAINER, DETENT SPRING	3	32	24829	ROD,M CHOKE	17	8
22869	RETAINER, DETENT SPRING	5	31	24876A1	THUMB SCREW ASSEMBLY	35	2
22872	CAM, NEUTRAL	17	15	24876A1	THUMB SCREW ASSEMBLY	35	2
22873	ROD, NEUTRAL	17	16	24924	CATCH, DRAW BOLT	3	17

PARTS INDEX

Part Number	Description	Pg.	Ref. No.	Part Number	Description	Pg.	Ref. No.
24924	CATCH, DRAW BOLT	5	22	10-20854	SCREW AND LOCKWASHER, COVER MOUNTING (SHORT)	15	22
24947A1	DRAW BOLT ASSEMBLY . . .	27	3				
25037	SHIPPING CARTON (FUEL TANK)	1	-	10-20857	SCREW AND LOCKWASHER, COVER MOUNTING (LONG)	15	23
25247A1	STEERING HANDLE TUBE ASSEMBLY	31	4	10-20870	SCREW, DRILL PLUT - OUTLET TUBE	15	28
25248A1	ELBOW ASSEMBLY, STEERING HANDLE	31	13	10-20879	SCREW AND LOCKWASHER, BREAKER ASSEMBLY MOUNTING	13	6
25497	SHIELD, FRONT COWL	3	19	10-20880	SCREW AND LOCKWASHER, CABLE CLIP	13	-
25497A1	SHIELD ASSEMBLY, F4RONT COWL	3	--	10-20883	SCREW, CONDENSER MOUNTING	13	10
25498	HANDLE, TOP COWL	3	14	10-20884	SCREW AND LOCKWASHER, HIGH TENSION LEAD CLAMP	13	17
25499	EMBLEM, FRONT SHIELD . .	3	22	10-21091	SCREW, RETAINING RING TO BOTTOM COWL	31	15
26183A_	EMBLEM, FRONT COWL SHIELD	3	--	10-21130	SCREW, GROUND TERMINAL	9	15
26183A_	EMBLEM, FRONT COWL SHIELD	5	17	10-21133	SCREW, FIXED CONTACT . .	9	7
28677A1	SHIELD ASSEMBLY, FRONT COWL	5	16	10-21136	SCREW, CONDENSER ATTACHING	9	12
28741A1	SHOE LATCH AND LEVER ASSEMBLY	35	11	10-21278	SCREW, CONTROL CABLE CLAMP	19	16
28768	SCREEN, VENT - TOP COWL	5	7	10-21296	SCREW, DRAW BOLT ASSEMBLY TO BOTTOM COWL	27	6
28769	HANDLE, TOP COWL	5	15	10-21296	SCREW, REED STOP PLATE ATTACHING	23	6
10-20031	SCREW, BRACKET TO CRANKCASE	27	35	10-21424	SCREW, HANDLE TO SHIELD (1/2")	3	18
10-20314	SCREW, DRIVE-SERIAL PLATE TO SWIVEL BRACKET	35	26	10-21562	SCREW, EMBLEM TO SHIELD	3	24
10-20401	SCREW, SAFETY CHAIN TAB TO SWIVEL BRACKET	35	23	10-21637	SCREW, CONNECTING ROD	21	2
10-20411	SCREW, ELOW TO STEERING HANDLE TUBE	31	12	10-21874	SCREW PINION GEAR TO DRIVE SHAFT	39	10
10-20411	SCREW, FUEL PUMP HOUSING TO COVER . . .	27	23	10-22022	SCREW, DRAW BOLT ASSEMBLY TO BOTTOM COWL	27	6
10-20411	SCREW, WATER INLET CAP TO BEARING HOUSING . .	25	21	10-22028	SCREW, LIMIT PLATE FASTENING	11	44
10-20482	SCREW, TIE ROD	35	15	10-22031	SCREW, THROTTLE CAM ATTACHING (LONG)	11	39
10-20568	SCREW, WATER INLET CAP TO BEARING HOUSING . .	25	21	10-22066	SCREW GREASE FILLER HOLE	39	23
10-20597	SCREW, THROTTLE LEVER TO CARBURETOR	15	32	10-22378	SCREW, ADAPTOR TO BOTTOM COWL	27	15
10-20602	SCREW AND LOCKWASHER, COVER FASTENING	13	21	10-22378	SCREW, CYLINDER BLOCK COVER TO BOTTOM COWL	29	43
10-20616	SCREW, THROTTLE CAM ATTACHING (SHORT) . . .	11	41	10-22387	SCREW, CYLINDER BLOCK COVER (1")	19	1
10-20653	SCREW, CYLINDER BLOCK TO CRANKCASE (1")	19	29	10-22387	SCREW, CYLINDER BLOCK COVER (1")	19	1
10-20653	SCREW, RETAINING RING TO BOTTOM COWL	31	15	10-22444	SCREW, CONTROL BRACKET TO CYLINDER BLOCK	19	12
10-20665	SCREW, CENTER MAIN BEARING LOCKING	25	26				
10-20665	SCREW, INTAKE COVER PLATE TO CYLINDER BLOCK (1/2")	19	21				
10-20665	SCREW, SHIELD AND DRAW BOLT CATCH TO TOP COWL	3	21				
10-20847	SCREW, THROTTLE STOP LEVER	15	8				

PARTS INDEX

Part Number	Description	Pg.	Ref. No.	Part Number	Description	Pg.	Ref. No.
10-22444	SCREW, FUEL PUMP TO CRANKCASE BRACKET	29	39	10-24776	SCREW, SHEAVE REINFORCING	7	4
10-22444	SCREW, INTAKE COVER PLATE TO CYLINDER BLOCK (1/2")	19	21	10-24828	SCREW, HANDLE TO TOP COWL (1 1/4")	3	16
10-22486	SCREW, ELBOW CLAMPING	31	8	10-24828	SCREW, HANDLE TO TOP COWL (1 1/4")	3	16
10-22491	SCREW, FRICTION PLATE TO TOP COWL	7	16	10-24828	SCREW, HANDLE TO TOP COWL (1 1/4")	5	20
10-22587	SCREW, CENTER MAIN BEARING CLAMPING	23	3	10-24851	BOLT, STOP-RETAINING RING TO BOTTOM COWL	31	16
10-22589	SCREW, UPPER BEARING HOUSING TO CRANKCASE	25	6	10-24852	SCREW, TOP COWL TO BOTTOM COWL	3	12
10-22651	SCREW, BEARING HOUSING CAP TO BEARING HOUSING	25	4	10-24852	SCREW, TOP COWL TO BOTTOM COWL	5	14
10-22657	SCREW, INTAKE COVER PLATE TO CYLINDER BLOCK (3/4")	19	20	10-24942	SCREW, HANDLE TO TOP COWL (7/16")	3	15
10-22658	SCREW, CYLINDER BLOCK TO CRANKCASE (2 3/8")	19	28	10-25501	SCREW, HANDLE TO TOP COWL (1/2")	3	15
10-22659	SCREW, CYLINDER BLOCK TO CRANKCASE (1 5/8")	19	31	10-25501	SCREW, HANDLE TO TOP COWL (1/2")	5	19
10-22660	SCREW, CYLINDER BLOCK TO CRANKCASE (1 3/4")	19	30	10-26537	SCREW, HANDLE TO SHIELD (1/2")	3	18
10-22728	SCREW, CO-PILOT RING	25	23	10-28634	SCREW GREASE FILLER HOLE	39	23
10-22729	SCREW DRIVE SHAFT HOUSING	37	3	10-28653	SCREW VENT	37	32
10-22730	SCREW CLAMPING	37	5	10-28704	SCREW, FUEL PUMP HOUSING TO COVER	27	23
10-22866	SCREW, TRIP LEVER TO TOP COWL	3	29	10-28704	SCREW, HANDLE TO SHIELD (5/8")	5	18
10-22866	SCREW, TRIP LEVER TO TOP COWL	5	28	10-28705	CSREW, DRAW BOLT CATCH TO COWL	5	23
10-22868	SCREW, DETENT TO TOP COWL	5	32	10-28705	SCREW, FUEL PUMP T CRANKCASE BRACKET	29	39
10-22958	SCREW, CYLINDER BLOCK COVER (1 1/8")	19	1	10-28705	SCREW, SHIELD TO COWL	5	21
10-23015	SCREW, SUPPORT TO CRANKCASE BRACKET	33	42	10-28706	SCREW, THROTTLE CAM ATTACHING (LONG)	11	39
10-23018	SCREW, FRICTION CLAMP TO STATOR PLATE	9	30	10-28706	SCREW, THROTTLE CAM ATTACHING (SHORT)	11	41
10-23035	SCREW AND LOCKWASHER, CHOKE SHUTTER	17	4	10-28707	SCREW, CONTROL BRACKET TO CYLINDER BLOCK	19	12
10-23035	SCREW AND LOCKWASHER, THROTTLE SHUTTER	15	24	10-28707	SCREW, BRACKET TO CRANKCASE	27	35
10-23095	SCREW, LIMIT PLATE AND FLANGE PLATE FASTENING	13	--	10-28710	SCREW, ELBOW TO STEERING HANDLE TUBE	31	12
10-23530	SCREW, SHEAVE SHAFT TO TOP COWL	3	11	10-28711	SCREW, SUPPORT TO CRANKET BRACKET	33	42
10-23530	SCREW, SHEAVE SHAFT TO TOP COWL	5	13	10-28712	SCREW, CHOKE ASSEMBLY TO BAFFLE	17	12
10-23702	SCREW, CHOKE ASSEMBLY TO BAFFLE	17	12	10-28713	SCREW ANTI-CAVITATION PLATE	37	37
10-23976	SCREW, BREAKER CONNECTION	9	10	10-28713	SCREW, CRANKCASE BRACKET TO BOTTOM COWL	29	37
10-23977	SCREW, LEAD WIRE CLAMP	9	19	10-28714	SCREW, ADAPTOR TO BOTTOM COWL	27	15
10-23977	SCREW, LEAD WIRE PLASTIC CLAMP	9	21	10-28715	SCREW, TIE ROD	35	15
				10-28716	SCREW, SAFETY CHAIN TAB TO SWIVEL BRACKET	35	23

PARTS INDEX

Part Number	Description	Pg.	Ref. No.	Part Number	Description	Pg.	Ref. No.
10-28717	SCREW, CYLINDER BLOCK COVER TO BOTTOM COWL	29	43	12-20192	WASHER, LEAD WIRE GUIDE SPRING	9	--
10-28789	SCREW, INTAKE COVER PLATE TO CYLINDER BLOCK (3/4")	19	20	12-20214	WASHER, THUMB SCREW	35	3
11-20083	NUT GEAR HOUSING STUD	39	27	12-20214	WASHER, THUMB SCREW	35	3
11-20088	NUT, RETAINING RING SCREW AND STOP BOLT	31	18	12-20260	WASHER GREASE FILLER HOLE SCREW	39	24
11-20184	NUT DRIVE SHAFT HOUSING STUD	37	9	12-20262	WASHER VENT SCREW	37	33
11-20184	NUT, ELBOW CLAMPING SCREW	31	10	12-20346	WASHER, EMBLEM TO SHIELD SCREW	3	23
11-20184	NUT, RETAINING RING SCREW AND STOP BOLT	31	18	12-20583	WASHER, CARBURETOR MOUNTING STUD	15	-
11-20565	NUT, CONNECTING ROD SCREW	21	4	12-20583	WASHER, CYLINDER BLOCK TO CRANKCASE SCREW	19	32
11-20645	NUT, CYLINDER BLOCK COVER SCREW	19	3	12-20583	WASHER, CYLINDER BLOCK TO CRANKCASE SCREW	19	32
11-20645	NUT, DRAW BOLT SCREW	27	4	12-20603	WASHER, COVER FASTENING SCREW	13	22
11-20849	NUT, MAIN ADJUSTMENT SCREW PACKING	15	15	12-20878	WASHER, HIGH TENSION LEAD CLAMP SCREW	13	--
11-20881	NUT, TERMINAL	13	9	12-20885	WASHER, FELT - MAGNETO COVER	13	3
11-20890	NUT, CO-PILOT RING SCREW	25	25	12-20959	WASHER, STARTER RATCHET	7	15
11-21310	NUT, FUEL LINE TO FUEL PUMP AND CARBURETOR	27	31	12-21135	WASHER, PLASTIC CLAMP SCREW	9	23
11-21310	NUT, FUEL LINE-ADAPTOR TO FUEL PUMP	27	16	12-21135	WASHER, BREAKER CONNECTION SCREW	9	9
11-21825	NUT DRIVE SHAFT HOUSING STUD	37	9	12-22248	WASHER, STARTER RATCHET	7	15
11-21825	NUT, CARBURETOR MOUNTING STUD	15	30	12-22592	WASHER, NEEDLE BEARING RETAINING	21	5
11-21825	NUT, CYLINDER BLOCK TO CRANKCASE SCREW	19	33	12-22646	WASHER, UPPER BEARING (DISHED THRUST)	25	3
11-21825	NUT, ELBOW CLAMPING SCREW	31	10	12-22739	WASHER THRUST	37	34
11-21923	NUT, CHOKE ROD STOP	17	11	12-22768	WASHER SEALING - WATER INTAKE HOUSING	39	18
11-22046	NUT, TIE STUD (RIGHT HAND THREAD)	35	19	12-22887	WASHER, TRIP LEVER SCREW (TOP)	5	27
11-22053	NUT CLAMPING SCREW	37	6	12-22887	WASHER, TRIP LEVER TO TOP COWL SCREW (TOP)	3	28
11-22425	NUT, SCREEN TO TOP COWL	5	8	12-22894	WASHER, HORIZONTAL SHAFT	31	24
11-22645	NUT, COMPRESSION	19	25	12-22894	WASHER, TRIP LEVER SCREW (BOTTOM)	5	33
11-22688	NUT, TIE STUD (LEFT HAND THREAD)	35	18	12-22894	WASHER, TRIP LEVER TO TOP COWL SCREW (BOTTOM)	3	34
11-22801	NUT, BEARING LOCK	25	1	12-22894	WASHER, VERTICAL SHAFT	33	35
11-22948	NUT, PRESSURE LINE TO COVER AND CARBURETOR	27	26	12-22907	WASHER, MAGNETO LINK FASTENING	33	39
11-23320	NUT, CABLE GUIDE TO TOP COWL	3	9	12-23022	WASHER, THRUST-GEAR TO ELBOW	31	21
11-23320	NUT, CABLE GUIDE TO TOP COWL	5	11	12-23538	WASHER, CYLINDER CYLINDER BLOCK COVER SCREW	29	41
11-24462	NUT PROPELLER	41	34	12-23736	WASHER, THRUST-GEAR TO ELBOW	31	21
11-24656	NUT, DRAW BOLT SCREW	27	4	12-24172	WASHER, SHEAVE SHAFT	7	6
11-25594	NUT GEAR HOUSING STUD	39	27	12-27025	WASHER, STARTER RATCHET	7	15
12-20128	WASHER, CYLINDER BLOCK COVER SCREW	19	2				

PARTS INDEX

Part Number	Description	Pg.	Ref. No.	Part Number	Description	Pg.	Ref. No.
13-20202	LOCKWASHER DRIVE SHAFT HOUSING TOP SCREW	37	4	13-26992	LOCKWASHER, TIE ROD SCREW	35	16
13-20378	LOCKWASHER, TERMINAL NUT	13	8	13-26996	LOCKWASHER, BRACKET TO CYLINDER BLOCK SCREW	19	11
13-20511	WASHER, WAVE	7	8	13-26996	LOCKWASHER, CHOKE ASSEMBLY TO BAFFLE SCREW	17	13
13-20730	WASHER, WAVE-GEAR TO STEERING HANDLE TUBE	31	3	13-26996	LOCKWASHER, DRAW BOLT SCREW	27	5
13-20758	LOCKWASHER, CABLE GUIDE	3	8	13-26996	LOCKWASHER, ELOW TO STEERING HANDLE TUBE SCREW	31	11
13-20758	LOCKWASHER, CABLE GUIDE	5	10	13-26996	LOCKWASHER, FUEL PUMP HOUSING SCREW	27	22
13-20882	LOCKWASHER, CONDENSER MOUNTING SCREW	13	11	13-26996	LOCKWASHER, FUEL PUMP MOUNTING SCREW	29	38
13-21134	LOCKWASHER, CONDENSER SCREW ...	9	13	13-26996	LOCKWASHER, SAFETY CHAIN TAB SCREW	35	24
13-21134	LOCKWASHER, FIXED CONTACT SCREW	9	8	13-26996	LOCKWASHER, SHIELD AND DRAW BOLT CATCH TO TOP COWL	3	20
13-21134	LOCKWASHER, LEAD WIRE CLAMP SCREW	9	20	13-26996	LOCKWASHER, SUPPORT TO CRANKCASE BRACKET SCREW	33	41
13-21134	LOCKWASHER, PLASTIC CLAMP SCREW	9	22	13-26996	LOCKWASHER, WATER INLET CAP SCREW	25	--
13-21144	LOCKWASHER, CORE SCREW	9	5	13-28943	WASHER, WAVE	7	8
13-21709	LOCKWASHER, CENTER MAIN BEARING LOCKING SCREW	25	27	14-20747	TAB WASHER GEAR HOUSING STUD	39	26
13-22021	LOCKWASHER, SHEAVE SHAFT SCREW	5	12	14-24461	TAB WASHER PROPELLER NUT	41	33
13-22021	LOCKWASHER, SHEAVE SHAFT TO TOP COWL SCREW	3	10	15-20729	SHIM, GEAR TO STEERING HANDLE TUBE (.010)	31	2
13-22675	LOCKWASHER, THROTTLE CAM SCREW	11	40	15-20767	SHIM, SHEAVE SHAFT (.010)	7	5
13-22764	LOCKWASHER PINION GEAR SCREW	39	9	15-20919	SHIM, BALL BEARING TO BEARING HOUSING (.002- 3-5)	25	-
13-22773	LOCKWASHER ANTI- CAVITATION PLATE	37	38	15-22369A1	SHIM BALL BEARING TO GEAR HOUSING (.002-3-5- 10)	39	15
13-22773	LOCKWASHER, CRANKCASE BRACKET SCREW	27	36	15-22371	SHIM, MAGNETO PILOT (.015)	9	36
13-22773	LOCKWASHER, ELBOW CLAMPING SCREW	31	9	15-22371	SHIM, MAGNETO PILOT (.015)	13	23
13-22888	WASHER, WAVE-RETAINING RING TO COWL	31	20	15-22759A1	SHIM BALL BEARING TO GEAR HOUSING (.002-3-5)	39	5
13-26991	LOCKWASHER, THROTTLE CAM SCREW	11	42	15-22765A1	SHIM BALL BEARING TO PROPELLER GEAR (.003- 5-7)	39	14
13-26992	LOCKWASHER DRIVE SHAFT HOUSING STUD .	37	8	15-22889	SHIM, RETAINING RING TO ELBOW (.015)	31	14
13-26992	LOCKWASHER, ADAPTOR TO BOTTOM COWL SCREW	27	14	15-23544A1	SHIM PROPELLER CLUTCH (.015-31)	41	32
13-26992	LOCKWASHER, BRACKET TO CRAKCASE SCREW .	27	34	15-28835	SHIM, CLAMP BRACKET TO SWIVEL BRACKET	35	-
13-26992	LOCKWASHER, CYLINDER BLOCK COVER SCREW .	29	42	16-21723	STUD, CARBURETOR MOUNTING	25	14
13-26992	LOCKWASHER, FRICTION CLAMP SCREW	9	31	16-22687	STUD, TIE	35	17

PARTS INDEX

Part Number	Description	Pg.	Ref. No.	Part Number	Description	Pg.	Ref. No.
16-22772	STUD GEAR HOUSING TO DRIVE SHAFT HOUSING .	39	25	22-22947	ELOW, FUEL INLET	27	28
17-20563	PIN, ROLL - SHEAVE SHAFT RETAINING	5	4	22-22949	CONNECTOR, PRESSURE LINE	27	29
17-20563	PIN,ROLL - SHEAVE SHAFT RETAINING	3	4	22-22987	ELBOW, FUEL PUMP OUTLET	27	24
17-20564	PIN, SPRING ANCHOR	7	-	22-23588A1	ELBOW ASSEMBLY	27	13
17-20853	PIN, FLOAT LEVER PINION .	15	3	23-20618	SPACER, THROTTLE CAM .	11	38
17-22060	PIN IMPELLER DRIVE	37	28	23-21309	SLEEVE, FUEL LINE TO FUEL PUMP AND CARBURETOR	27	32
17-22078	PIN, ANCHOR - STARTER SPRING	5	3	23-21309	SLEEVE, FUEL LINE-ADAPTOR TO FUEL PUMP	27	17
17-22078	PIN,ANCHOR - STARTER SPRING	3	3	23-22583	BUSHING PILOT CAP	37	23
17-22410	PIN PROPELLER GEAR TO PROPELLER SHAFT	39	13	23-22583	BUSHING, WATER INLET CAP	25	20
17-22515	PIN, ROLL	35	12	23-22701	BUSHING, CO-PILOT RING .	35	6
17-22515	PIN, ROLL-PIVOT AND LINK LEVER TO BRACKET	19	14	23-22704	SHELL, UPPER CO-PILOT BUSHING	35	7
17-22642	PIN, GROOVE-CRANKCASE TO PIVOT TUBE	25	11	23-22706	SHELL, LOWER CO-PILOT BUSHING	35	9
17-22700	PIN, SWIVEL BRACKET TO CLAMP BRACKET PIVOT .	35	21	23-22761	SPACER BALL BEARING TO DRIVE SHAFT	39	6
17-22863	PIN, ROLL-GEAR AND COUPLING T HORIZONTAL SHAFT	31	23	23-22981	BUSHING, NYLON-HORIZONTAL AND VERTICAL SHAFT	31	28
17-22863	PIN, ROLL-GEAR TO VERTICAL SHAFT	31	30	23-23638	SLEEVE, VERTICAL SHAFT	33	37
17-22896	PIN, ROLL-GEAR FASTENING	31	7	23-23756	SPACER BALL BEARING TO GEAR HOUSING	39	1
17-22896	PIN, ROLL-LEVER TO VERTICAL SHAFT	31	33	23-23926	SPACER BALL BEARING TO PROPELLER GEAR	39	13
17-23034	GROVE PIN, BODY	17	-	23-24805	SPACER, STARTER RATCHET	7	14
17-24171	PIN, RETAINER	7	-	23-24806	BUSHING, CYLINDER BLOCK COVER	19	6
17-24800	PIN, FORWARD KNOB TO TRIP LEVER	3	25	23-24806	BUSHING, CYLINDER BLOCK COVER TO BOTTOM COWL	29	-
17-24800	PIN, FORWARD KNOB TO TRIP LEVER	5	24	24-20856	SPRING, IDLE ADJUSTMENT SCREW	15	17
17-24814	PIN, ROLL - LOCATING	5	5	24-20869	SPRING, THROTTLE RETURN	15	11
17-24814	PIN,ROLL - LOCATING	3	5	24-22677	SPRING, MAGNETO	9	32
18-20180	COTTER PIN, CHOKE ROD TO SHAFT ASSEMBLY . .	17	9	24-22711	SPRING, TILT LOCK	35	13
18-20180	COTTER PIN, MAGNETO LINK FASTENING	33	38	24-22727	SPRING, CO-PILOT RING SCREW	25	24
19-20011	WELCH PLUG, BODY CHANNEL	15	27	24-22754	SPRING TRIP FINGER	37	18
19-21688	WELCH PLUG (1/2")	19	-	24-22763	SPRING CLUTCH	37	25
19-21688	WELCH PLUG (1/2")	25	13	24-22870	SPRING, DETENT	3	31
19-22579	WELCH PLUG (3/8")	19	-	24-22870	SPRING, DETENT	5	30
19-22579	WELCH PLUG (3/8")	25	12	24-22984	SPRING, HORIZONTAL SHAFT	31	25
21-22974A1	CHECK VALVE ASSEMBLY .	27	-	24-22984	SPRING, VERTICAL SHAFT .	33	36
22-21290	PLUG, PIPE	25	17	24-23233	SPRING, FRICTION PLUG . .	17	6
22-22586	CONNECTOR UPPER GUIDE TUBE	37	13	24-23582	SPRING, CHECK UNIT ADAPTOR STEM	27	11
22-22644	CONNECTOR LOWER GUIDE TUBE TO CRANKCASE	37	15	24-24081	SPRING, STARTER	7	1
22-22946	SLEEVE, PRESSURE LINE TO COVER AND CARBURETOR	27	27	24-24347	SPRING, MAGNETO HOLD DOWN	13	24
				24-24458	SPRING COMPRESSION . . .	41	32
				24-24941	SPRING, ANTI-RATTLE	31	5

PARTS INDEX

Part Number	Description	Pg.	Ref. No.	Part Number	Description	Pg.	Ref. No.
24-24949	SPRING, LEAD WIRE GUIDE	9	--	31-22756	ROLLER BEARING DRIVE SHAFT	39	1
25-20034	O RING TRIP FINGER CHAMBER PLUG	37	36	31-28631	ROLLER BEARING, CRANKCASE	25	15
25-20415	"O" RING, ADAPTOR STEM	27	9	32-21137	TUBE, LEAD WIRE	9	16
25-20812	WASHER WATER INTAKE HOUSING	39	21	32-22584A1	TUBE ASSEMBLY CONTROL CABLE GUIDE	37	16
25-21720	O RING UPPER DRIVE SHAFT	37	11	32-22585	TUBING, CONTROL CABLE GUIDE (UPPER END)	19	26
25-22762	O RING GEAR HOUSING SEAL	39	7	32-22607	TUBE, BLEEDER-CYLINDER BLOCK	19	9
25-22940	GROMMET, CHOKE ROD	27	2	32-22732	PIPE WATER INLET	37	10
26-22058	OIL SEAL WATER INTAKE HOUSING	39	20	32-23542	FUEL LINE, ADAPTOR TO FUEL PUMP	27	18
26-22580	OIL SEAL, WATER INLET CAP	25	16	32-23550	LINE, PRESSURE-FUEL PUMP TO INTAKE COVER	27	25
26-22734	OIL SEAL PILOT CAP	37	24	32-24787	FUEL LINE, FUEL PUMP T CARBURETOR	27	30
26-30913	OIL SEAL LOWER DRIVE SHAFT HOUSING	37	31	33-22805	SPARK PLUG (CHAMPION J-7-J)	9	35
27-20600	GASKET, MAGNETO COVER	13	5	33-28916	SPARK PLUG (A.C. M-45)	9	35
27-20848	GASKET, ADJUSTMENT SCREW GLAND	15	12	34-21721	PLATE, REED STOP	23	5
27-21719	GASKET, WATER INLET CAP	25	18	34-23087	REED SET, MATCHED	23	4
27-22023	GASKET, CARBURETOR TO CRANKCASE	15	29	37-25097	DECAL SET (MK6 AND MK6-1)	1	-
27-22518	GASKET, CYLINDER BLOCK TO CRANKCASE	19	27	37-28736	DECAL SET (MK6-2, MK6-3, MK6-4 AND MK6A)	1	-
27-22655	GASKET, CYLINDER BLOCK COVER TO CYLINDER BLOCK	19	5	37-28803	DECAL SET (WHITE MOTORS -MK6A)	1	-
27-22656	GASKET, INTAKE COVER PLATE TO CYLINDER BLOCK	19	17	38-24830	SERIAL PLATE	35	25
27-22852	GASKET, UPPER BEARING HOUSING TO CRANKCASE	25	9	38-28781	SERIAL PLATE	35	25
27-23278	GASKET SET (MOTOR OVERHAUL)	1	-	39-22593	PISTON RING	21	9
27-25033	GASKET, INLET NEEDLE AND SEAT	15	7	40-22652	LOCK RING, PISTON PIN	21	8
28-22676	KEY, FLYWHEEL (2 1/16")	9	33	43-22856	GEAR, HORIZONTAL SHAFT	31	27
28-22818	KEY, FLYWHEEL	13	--	43-22856	GEAR, VERTICAL SHAFT	31	29
28-22818	KEY, FLYWHEEL (1 29/32")	9	33	43-22858A1	GEAR AND COUPLING ASSEMBLY	31	22
29-22591	NEEDLE BEARING, CRANKPIN	21	3	43-22877	GEAR, STEERING HANDLE SHAFT	31	6
29-22591	NEEDLE BEARING, PISTON PIN	21	6	43-24969A1	GEAR ASSEMBLY PINION AND PROPELLER	39	8&12
30-21710	BALL BEARING, UPPER BEARING HOUSING	25	5	44-24463	PROPELLER SHAFT	39	11
30-21776	BALL BEARING PROPELLER SHAFT	39	16	45-22737A1	DRIVE SHAFT ASSEMBLY UPPER	37	12
30-22351	BALL BEARING PROPELLER SHAFT	39	16	45-22758	DRIVE SHAFT	39	2
30-25124	BALL BEARING DRIVE SHAFT	39	3	46-22741	HOUSING WATER PUMP	37	26
31-21638	ROLLER BEARING, UPPER BEARING HOUSING	25	8	47-22748	IMPELLER WATER PUMP	37	27
31-22640	ROLLER BEARING, CRANKCASE	25	15	48-25774	PROPELLER	39	28
31-22755	ROLLER BEARING PROPELLER SHAFT	39	1	52-22760	CLUTCH DRUM	39	4
				52-24455	PLATE CLUTCH THRUST	39	29
				53-22368	RING SNAP - BALL BEARING TO PROPELLER SHAFT	39	17
				53-22850	RING, RETAINING-ELBOW ASSEMBLY	31	19
				53-22899	"E" RING, RETAINING	33	34
				54-22517	CLIP, CONTROL CABLE GUIDE TUBE	19	19
				54-22577	CLIP, BLEEDER TUBE	19	10
				54-22595	CLIP, IGNITION WIRE	19	8
				54-22808	CLAMP, CONTROL CABLE	19	15

PARTS INDEX

Part Number	Description	Pg.	Ref. No.	Part Number	Description	Pg.	Ref. No.
54-22900	CLEVIS CLIP, NEUTRAL ROD	17	17	703-379A1	PISTON AND PISTON PIN ASSEMBLY	21	7
54-22969	TAB, SAFETY CHAIN AND BOTTLE OPENER	35	22	809-380A5	CYLINDER BLOCK ASSEMBLY	19	8
90-32034	MARK 6 AND MARK 6A PARTS LIST, COMPLETE	1	-	913-1494A3	CRANKCASE ASSEMBLY ..	25	10
92-25143	DECAL SOLUTION (PINT BOTTLE)	1	-	913-955A3	CRANKCASE ASSEMBLY ..	25	10
109-1496A1	SWIVEL BRACKET ASSEMBLY	35	5	1004-410	COVER, CYLINDER BLOCK ..	19	4
119-1046A3	TOP COWL ASSEMBLY	3	1	1110-265	CAP, BEARING HOUSING ..	25	2
119-1046A3	TOP COWL ASSEMBLY	3	1	1121-414A2	BEARING HOUSING ASSEMBLY, UPPER	25	7
119-1503A3	TOP COWL ASSEMBLY	5	1	1304-415	CARBURETOR ASSEMBLY, COMPLETE	15	1
120-1497	COWL, BOTTOM	27	1	1399-101	LEVER, FLOAT (UPPER) ...	15	5
120-889A2	BOTTOM COWL ASSEMBLY	27	1	1399-102	LEVER, FLOAT (LOWER) ...	15	4
204-455	FLYWHEEL	13	--	1399-108	PAKING, MAIN ADJUSTMENT SCREW ..	15	14
306-418	MAGNETO ASSEMBLY, COMPLETE (PHELON) ...	9	-	1399-110A1	FLOAT ASSEMBLY	15	2
308-440	MAGNETO ASSEMBLY, COMPLETE (SCINTILLA) .	13	-	1399-1138	INLET NEEDLE AND SEAT .	15	6
398-1085	LEAD, HIGH TENSION (BOTTOM)	9	25	1399-220	SCREW, IDLE ADJUSTMENT	15	18
398-173	COIL, IGNITION	9	14	1399-436	SCREEN, INLET	15	21
398-174	BREAKER POINT ASSEMBLY	9	6	1399-438	SHAFT, THROTTLE	15	10
398-179	CLAMP, LEAD WIRE TUBE .	9	17	1399-449	SHAFT ASSEMBLY	17	2
398-182	CLAMP, LEAD WIRE TUBE (PLASTIC)	9	18	1399-450	SHUTTER	17	3
398-192	WIPER, CAM (FELT)	9	24	1399-451	PLUG, FRICTION	17	5
398-193	WIPER, CAM (FELT)	9	24	1399-453	PLUG SCREW, FRICTION ..	17	7
398-691	FLYWHEEL	9	1	1399-699	SHUTTER, THROTTLE	15	25
398-692	STATOR AND CORE	9	3	1399-700A1	TUBE ASSEMBLY, BY-PASS	15	26
398-692A1	STATOR PLATE ASSEMBLY	9	2	1399-701	COVER, FLOAT BOWL	15	20
398-693	CONDENSER	9	11	1399-702	SCREW, MAIN ADJUSTMENT	15	16
398-693	SCREW, CORE FASTENING	9	4	1399-810	REPAIR PARTS KIT	15	-
398-694	CAM, BREAKER	9	28	1399-810	REPAIR PARTS KIT (CARBURETOR)	1	-
398-965	LEAD, HIGH TENSION (TOP)	9	26	1399-94	GLAND, MAIN ADJUSTMENT SCREW .	15	13
399-1151	CLIP, CABLE	13	-	1399-95	LEAD SHOT, CHANNEL PLUG	15	-
399-1152	CLAMP, HIGH TENSION LEAD	13	16	1399-961	GASKET AND PACKING SET	15	-
399-1154	LEAD, HIGH TENSION - LONG	13	19	1399-961	GASKET AND PACKING SET (CARBURETOR)	1	-
399-1155	MAGNET, ROTATING	13	20	1399-97	LEVER, THROTTLE STOP ..	15	9
399-119	PLATE, STATOR	13	1	1399-99	GASKET, FLOAT BOWL COVER	15	19
399-121A1	BREAKER ASSEMBLY	13	7	1409-427A3	SWIVEL BRACKET ASSEMBLY	35	5
399-123	CONDENSER	13	12	1410-406A2	CLAMP BRACKET ASSEMBLY (PORT SIDE) .	35	4
399-1248	LEAD, HIGH TENSION - SHORT	13	18	1410-408A2	CLAMP BRACKET ASSEMBLY (PORT SIDE) -	35	4
399-125	COIL, IGNITION	13	13	1411-407A2	CLAMP BRACKET ASSEMBLY (STARBOARD SIDE)	35	1
399-126	CLIP, COIL	13	14	1411-409A4	CLAMP BRACKET ASSEMBLY (STARBOARD SIDE)	35	1
399-129	INSULATOR, HIGH TENSION LEAD	13	15	1508-394	DRIVE SHAFT HOUSING UPPER	37	1
399-131	COVER, MAGNETO	13	2	1509-395A2	DRIVE SHAFT HOUSING ASSEMBLY LOWER	37	30
399-132	RING, LOCK - MAGNETO COVER	13	4				
399-459A1	LIMIT PLATE AND LINK ASSEMBLY	13	--				
399-787	PLATE, MAGNETO FLANGE	13	25				
409-388	CRANKSHAFT	23	1				
511-386	CENTER MAIN BEARING ...	23	2				

PARTS INDEX

Part Number	Description	Pg.	Ref. No.	Part Number	Description	Pg.	Ref. No.
1607-400A2	GEAR HOUSING ASSEMBLY	39	1				
1607-400A3	GEAR HOUSING ASSEMBLY COMPLETE (LESS PROPELLER)	39	-				