



PARTS CATALOG

II STERN DRIVE

SERIAL NUMBER

II 1962-1963 1474909 THRU 1602185

TABLE OF CONTENTS:

DRIVE SHAFT HOUSING ASSEMBLY AND GEAR ASSEMBLY	26
DRIVE SHAFT HOUSING ASSEMBLY AND REVERSE LOCK	20
GEAR HOUSING ASSEMBLY, COMPLETE	30
GIMBAL HOUSING AND GIMBAL RING ASSEMBLY	16
INNER AND OUTER TRANSOM PLATE AND SHIFT ARM	2
INNER TRANSOM PLATE, CLAMP NUT AND CRANK ASSEMBLY	8
PARTS INDEX	34
STEERING LEVER HOUSING ASSEMBLY	12

NOTE: *Indented description indicate that these parts are included in preceeding assembly.*

AR = As Required

NSS = Not Sold Separate

OPT = Optional

NS = Not Shown

THESE PARTS BOOKS/FICHE CARD ARE COPYRIGHTED AND MAY NOT BE DISTRIBUTED OR REPRODUCED IN ANY OTHER FORMAT BY ANYONE OTHER THAN MERCURY MARINE WITHOUT THE PRIOR WRITTEN CONSENT OF MERCURY MARINE.

REPLACEMENT PARTS ! WARNING !

Electrical, ignition and fuel system components on MerCruiser Engines and Stern Drives are designed and manufactured to comply with U.S. Coast Guard Rules and Regulations to minimize risks of fire or explosion. Use of replacement electrical, ignition or fuel system components, which do not comply to these rules and regulations, could result in a fire or explosion hazard and should be voided.

When servicing the electrical, ignition and fuel systems, it is extremely important that all components are properly installed and tightened. If not, any electrical or ignition component opening would permit sparks to ignite fuel vapors from fuel system leaks, if they existed.

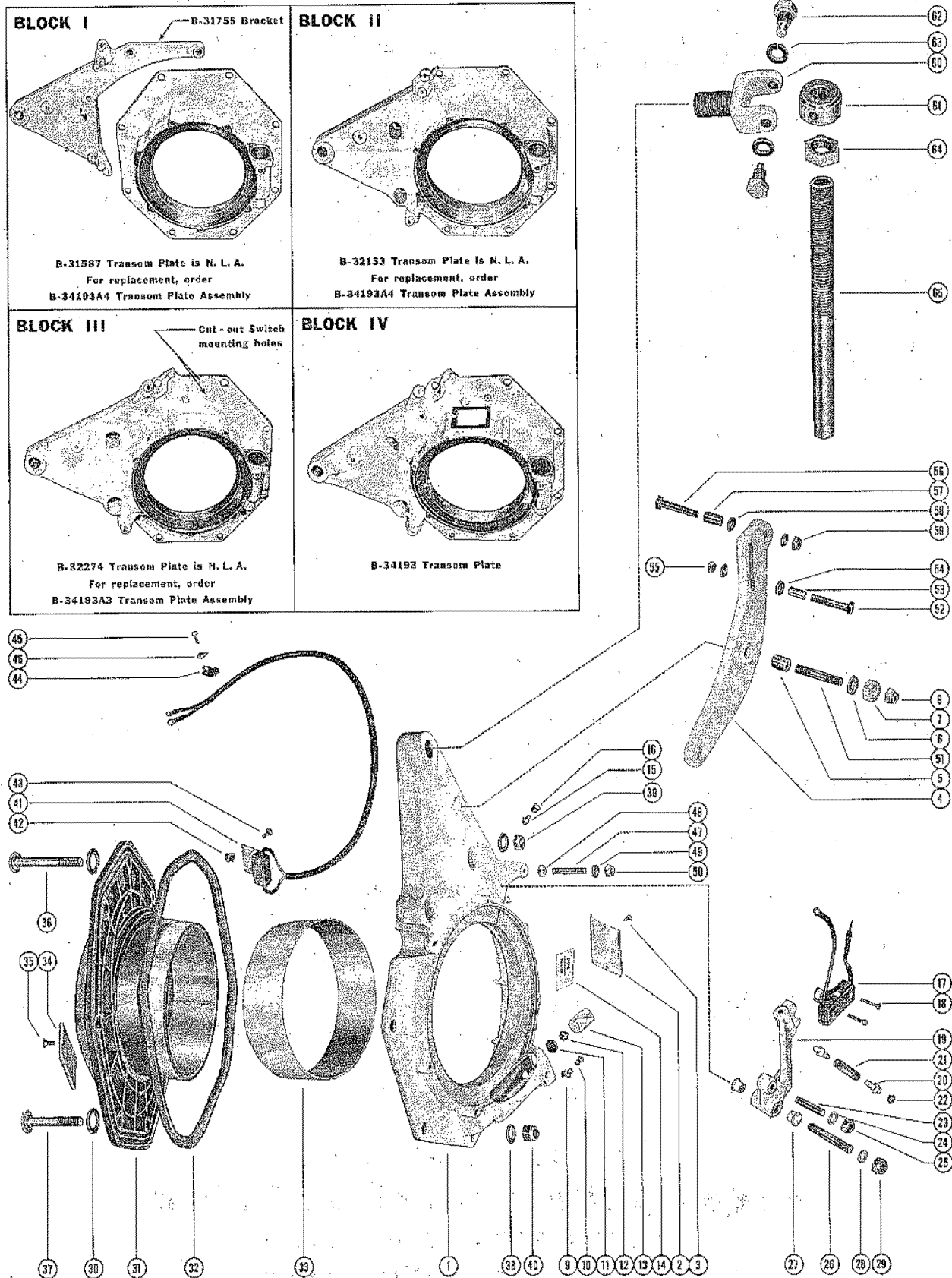
ENGINE MECHANICAL COMPONENTS

Many of the engine mechanical components are designed for marine applications. Unlike automotive engines, marine engines are subjected to extended periods of heavy load and wide- open-throttle operation, therefore, require heavy-duty components. Special marine engine parts have design and manufacturing specifications, which are required to provide long life and dependable performance. Marine engine parts also must be able to resist the corrosive action of salt or brackish water that will rust or corrode standard automotive parts within a short period of time.

Failure to use recommended Mercury Precision Parts OR Quicksilver service replacement parts can result in poor engine performance and/or durability, rapid corrosion of parts subjected to salt water and possibly complete failure of the engine.

Use of parts other than recommended service replacement parts will void the warranty on those parts which are damaged as a result of the use of other than recommended parts.

INNER AND OUTER TRANSOM PLATE AND SHIFT ARM

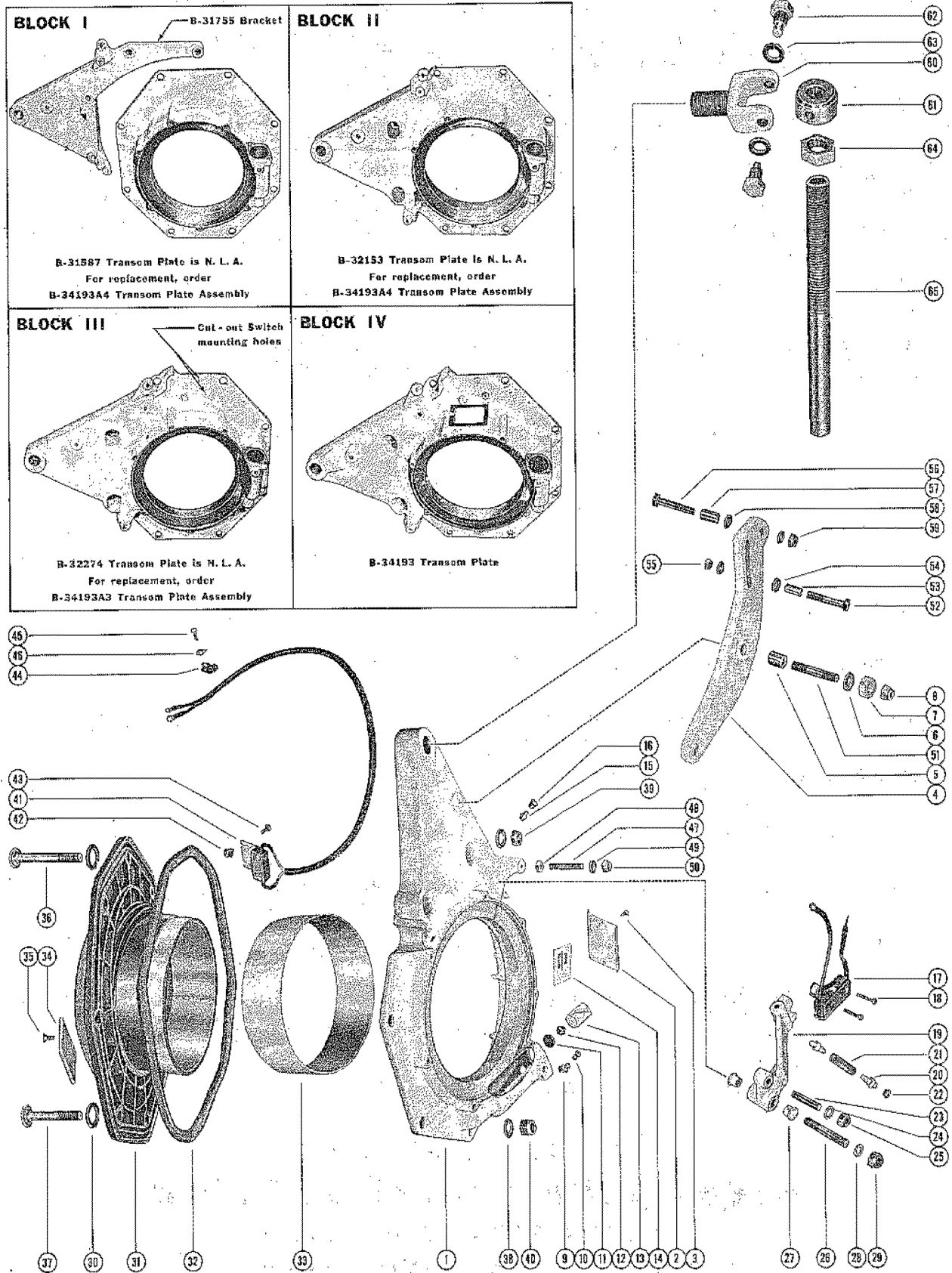


INNER AND OUTER TRANSOM PLATE AND SHIFT ARM

REF. NO.	PART NO.	SYM.	QTY.	DESCRIPTION
-	34193A4		1,1,1,1	PLATE ASSEMBLY, TRANSOM - INNER
-	34193A3		1,1,1,1	PLATE ASSEMBLY, TRANSOM - INNER
1	34193		1,1,1,1	PLATE, TRANSOM - INNER
2	34056		1,1,1,1	COVER, LOCK - IN LIMIT SWITCH - INNER TRANSOM PLATE
3	10-26668		2,2,2,2	SCREW, COVER TO INNER TRANSOM PLATE
4	34214		1,1,1,1	ARM, SHIFT CABLE MOUNTING - STEERING BRACKET
5	23-31758		1,1,1,1	SPACER, SHIFT CABLE MOUNTING ARM STUD
6	12-26825		1,1,1,1	WASHER, SHIFT CABLE MOUNTING STUD
7	23-27818		1,1,1,1	SPACER, SHIFT CABLE MOUNTING ARM STUD
8	11-21528		1,1,1,1	NUT, SHIFT CABLE MOUNTING ARM TO STEERING CABLE BRACKET STUD
9	22-25094		1,1,1,1	FITTING, GREASE (45) - INNER TRANSOM PLATE
10	29359		1,1,1,1	LUBRICAP, INNER TRANSOM PLATE GREASE FITTING
11	32788		1,1,1,1	DISC, THRUST - WORM GEAR (LOWER)
12	22834		1,1,1,1	BALL, WORM GEAR (LOWER)
13	23-31757		1,1,1,1	BUSHING, NYLON - WORM GEAR (LOWER)
14	37-32049		1,1,1,1	LABEL, ENGINE ROTATION - INNER TRANSOM PLATE
15	22-23612		1,1,1,1	FITTING, GREASE - INNER TRANSOM PLATE
16	29359		1,1,1,1	LUBRICAP, INNER TRANSOM PLATE GREASE FITTING
17	30866A2		1,1,1,1	SWITCH ASSEMBLY, CUT-OUT - INNER TRANSOM PLATE
18	10-30902		2,2,2,2	SCREW, CUT-OUT SWITCH TO INNER PLATE
19	32463A2		1,1,1,1	ARM ASSEMBLY, CUT-OUT SWITCH ACTUATING - INNER TRANSOM PLATE
20	32464		2,2,2,2	PLUNGER, SWITCH ACTUATING ARM
21	24-32922		1,1,1,1	SPRING, COMPRESSION - SWITCH ACTUATING ARM PLUNGER ARM TENSION
22	33501		1,1,1,1	RETAINER, SPRING AND PLUNGER TO SWITCH ACTUATING ARM
23	16-20075		1,1,1,1	STUD, SHIFT ACTUATING CABLE TO SWITCH ACTUATING ARM
24	12-29245		1,1,1,1	WASHER, SWITCH ACTUATING ARM CABLE STUD
25	11-20361		1,1,1,1	NUT, SWITCH ACTUATING ARM CABLE STUD
26	16-32467		1,1,1,1	STUD, SWITCH ACTUATING ARM TO INNER TRANSOM PLATE (2 1/4")
27	23-26841		2,2,2,2	BUSHING, SWITCH ACTUATING ARM TO INNER TRANSOM PLATE STUD
28	12-20546		1,1,1,1	WASHER, SWITCH ACTUATING ARM TO INNER TRANSOM PLATE STUD
29	11-21528		1,1,1,1	NUT, SWITCH ACTUATING ARM TO INNER TRANSOM STUD
30	12-32620		8,8,8,8	WASHER, OUTER TRANSOM PLATE TO INNER TRANSOM PLATE SCREW
31	32276A2		1,1,1,1	PLATE ASSEMBLY, TRANSOM - OUTER
32	31636		1,1,1,1	SEAL, RUBBER - OUTER TRANSOM PLATE TRANSOM
33	32795		1,1,1,1	LINER, OUTER TRANSOM PLATE

CONTINUED ON NEXT PAGE ➡

INNER AND OUTER TRANSOM PLATE AND SHIFT ARM

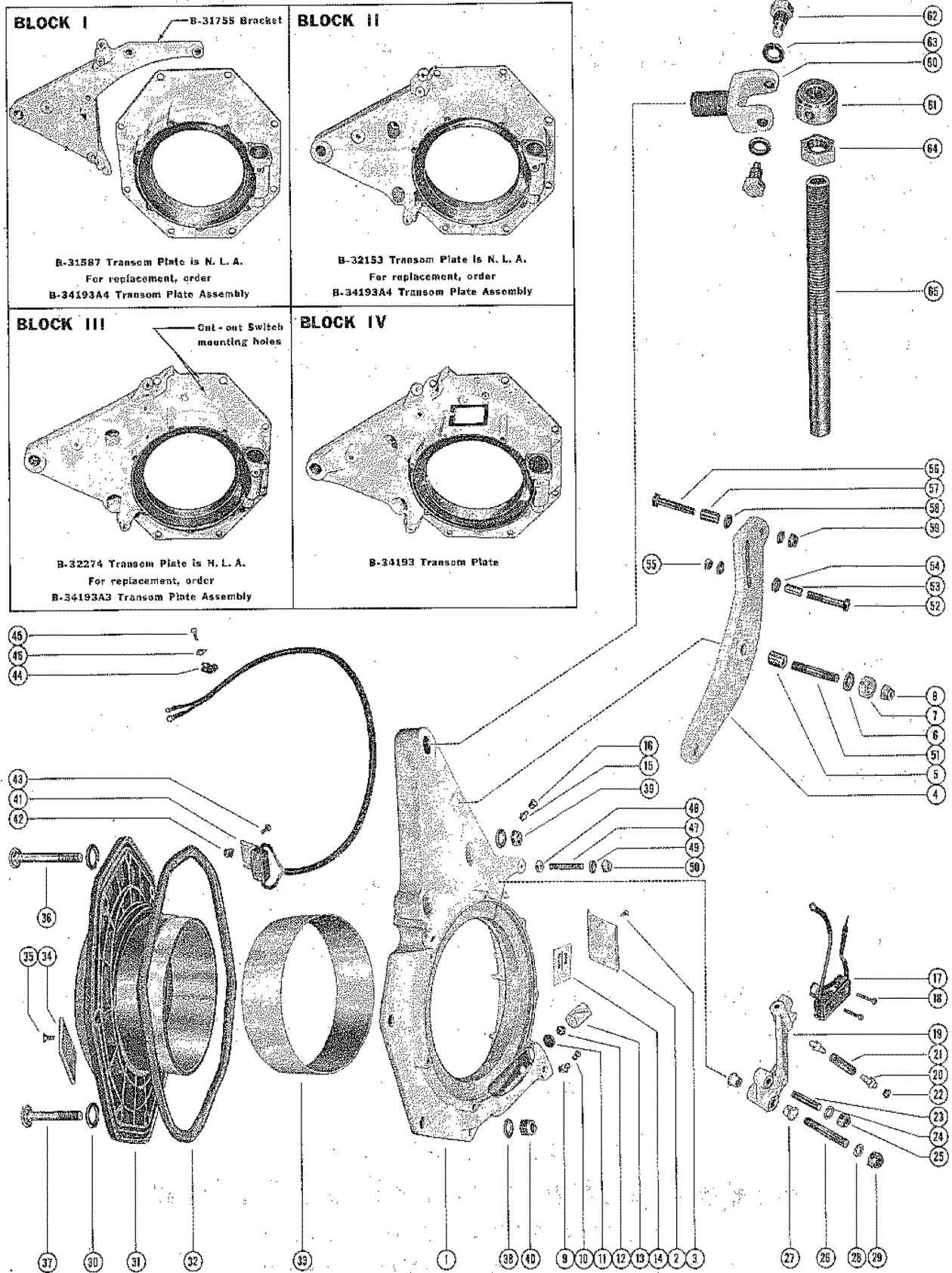


INNER AND OUTER TRANSOM PLATE AND SHIFT ARM

REF. NO.	PART NO.	SYM.	QTY.	DESCRIPTION
34	34762A1		1,1,1,1	PLATE ASSEMBLY, INHIBITOR - OUTER TRANSOM PLATE
35	10-34763		2,2,2,2	SCREW, INHIBITOR PLATE TO OUTER TRANSOM PLATE
36	10-31852		4,,,	SCREW, OUTER TRANSOM PLATE TO INNER TRANSOM PLATE (5")
37	10-31600		4,,,	SCREW, OUTER TRANSOM PLATE TO INNER TRANSOM PLATE (1/2-20 X 3 3/4") - EARLY STYLE
	10-31600		,8,8,8	SCREW, OUTER TRANSOM PLATE TO INNER TRANSOM PLATE (1/2-20 X 3 3/4") - EARLY STYLE
	10-34013		,,,8	SCREW, OUTER TRANSOM PLATE TO INNER TRANSOM PLATE (1/2-13 X 3 3/4") - LATER STYLE
38	12-21900		8,8,8,8	WASHER, OUTER TRANSOM PLATE TO INNER TRANSOM PLATE SREW
39	11-31847		4,,,	NUT, OUTER TRANSOM PLATE TO INNER TRANSOM PLATE SCREW
40	11-28040		4,,,	NUT, OUTER TRANSOM PLATE TO INNER TRANSOM PLATE SCREW (1/2-20) - EARLY STYLE
	11-28040		,8,8,8	NUT, OUTER TRANSOM PLATE TO INNER TRANSOM PLATE SCREW (1/2-2 (1/2-20) - EARLY STYLE
	11-34087		,,,8	NUT, OUTER TRANSOM PLATE TO INNER TRANSOM PLATE SCREW (1/2-13) - LATER STYLE
41	34051A2		,,,1	SWITCH ASSEMBLY, LOCK-IN LIMIT - OUTER TRANSOM PLATE
42	34060		,,,1	PLUNGER, OUTER TRANSOM PLATE
43	10-34055		,,,2	SCREW, LOCK-IN LIMIT SWITCH TO OUTER TRANSOM PLATE
44	54-24836		,,,1	CLIP, LOCK-IN LIMIT SWITCH LEADS TO INNER TRANSOM PLATE
45	10-32031		,,,1	SCREW, LOCK-IN LIMIT SWITCH LEADS CLIP TO INNER TRANSOM PLATE
46	22789		,,,1	"D" WASHER, LOCK-IN LIMIT SWITCH LEADS CLIP SCREW
47	16-32292		1,1,,	STUD, CABLE MOUNTING BRACKET TO SHIFT CABLE AND GUIDE
48	11-29031		1,1,,	NUT, CABLE MOUNTING BRACKET TO SHIFT CABLE AND GUIDE STUD (1/4-20)
49	12-29245		1,1,,	WASHER, SHIFT CABLE END GUIDE STUD
50	11-20361		1,1,,	NUT, CABLE MOUNTING BRACKET TO SHIFT CABLE END GUIDE STUD (1/4-28)
51	16-23166		1,1,,	STUD, SHIFT CABLE MOUNTING ARM TO STEERING CABLE BRACKET
	16-30715		,,1,1	STUD, SHIFT CABLE MOUNTING ARM TO STEERING CABLE BRACKET PART OF B-34193A3 TRANSOM PLATE ASSEMBLY)
52	10-22659		1,1,1,1	SCREW, SHIFT ACTUATINGCABLE TO SHIFT CABLE MOUNTING ARM
53	23-31866		1,1,1,1	SPACER, SHIFT ACTUATING CABLE SCREW
54	12-31760		2,2,2,2	WASHER, SHIFT ACTUATING CABLE SCREW 2
55	11-20361		1,1,1,1	NUT, SHIFT ACTUATING CABLE TO SHIFT CABLE MOUNTING ARM SCREW
56	10-22659		1,1,1,1	SCREW, SHIFT CABLE ASSEMBLY TO SHIFT CABLE MOUNTING ARM

CONTINUED ON NEXT PAGE ➡

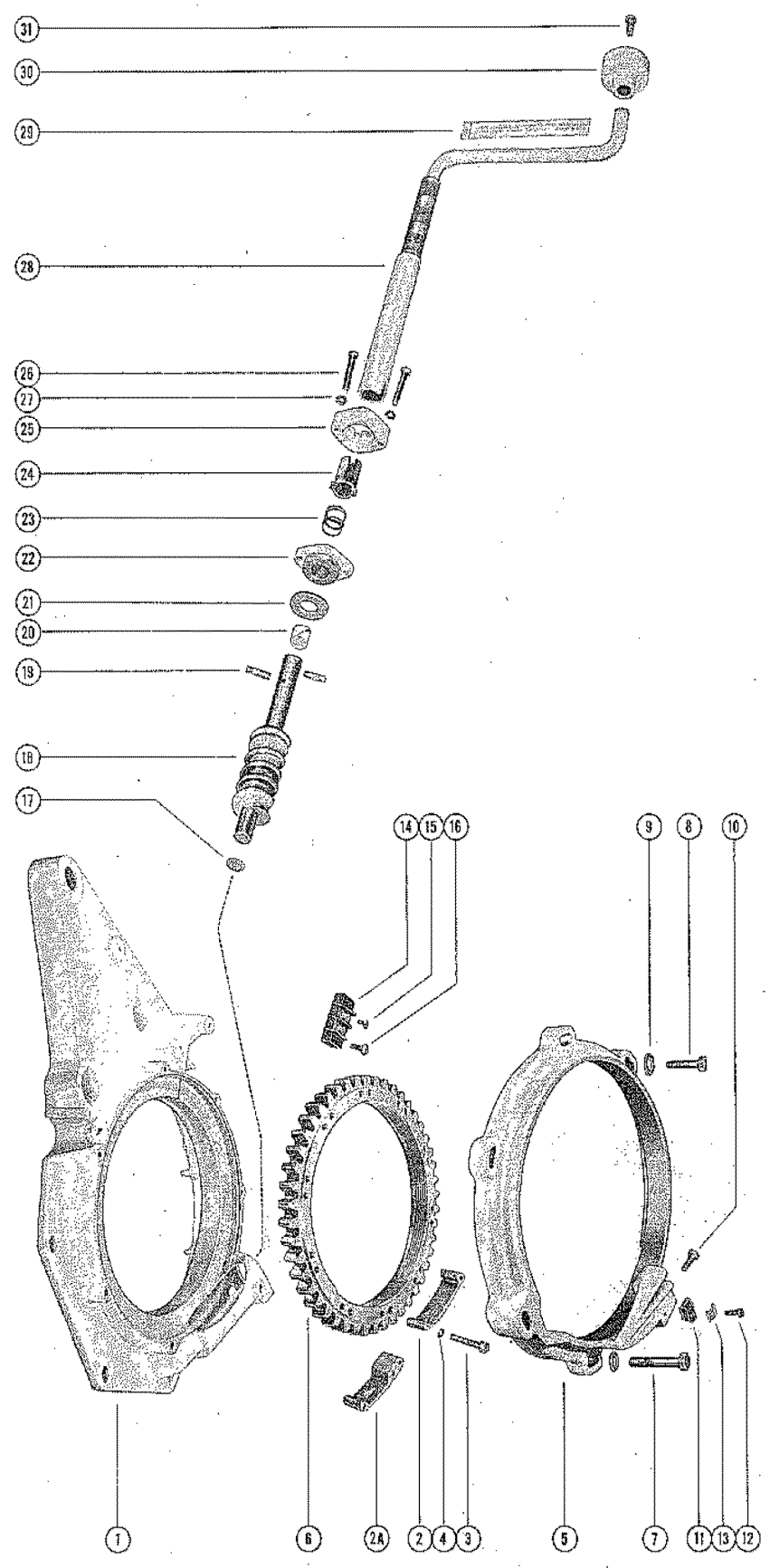
INNER AND OUTER TRANSOM PLATE AND SHIFT ARM



INNER AND OUTER TRANSOM PLATE AND SHIFT ARM

REF. NO.	PART NO.	SYM.	QTY.	DESCRIPTION
57	23-31866		1,1,1,1	SPACER,SHIFT CABLE ASSEMBLY SCREW
58	12-31760		2,2,2,2	WASHER, SHIFT CABLE ASSEMBLY SCREW
59	11-20361		1,1,1,1	NUT, SHIFT CABLE ASSEMBLY TO SHIFT CABLE MOUNTING ARM SCREW
60	31912		1,1,1,1	YOKE, CABLE GUIDE TUBE PIVOT - STEERING CABLE BRACKET
	34125		,,,1	YOKE, CABLE GUIDE TUBE PIVOT - STEERING CABLE BRACKET PART OF B-34193A3 TRANSOM PLATE ASSEMBLY)
61	31833		1,1,1,1	RING, SWIVEL - CABLE GUIDE TUBE PIVOT YOKE
62	10-31832		2,2,2,2	BOLT, PIVOT - CABLE TUBE PIVOT YOKE TO SWIVEL RING
63	13-31848		2,2,2,2	LOCKWASHER, PIVOT YOKE TO SWIVEL RING PIVOT BOLT
64	11-30708		1,1,1,1	NUT, JAM - STEERING CABLE GUIDE TUBE
65	30706		1,1,1,1	TUBE,STEERING CABLE GUIDE (7/8" OD)

INNER TRANSOM PLATE, CLAMP NUT AND CRANK ASSEMBLY

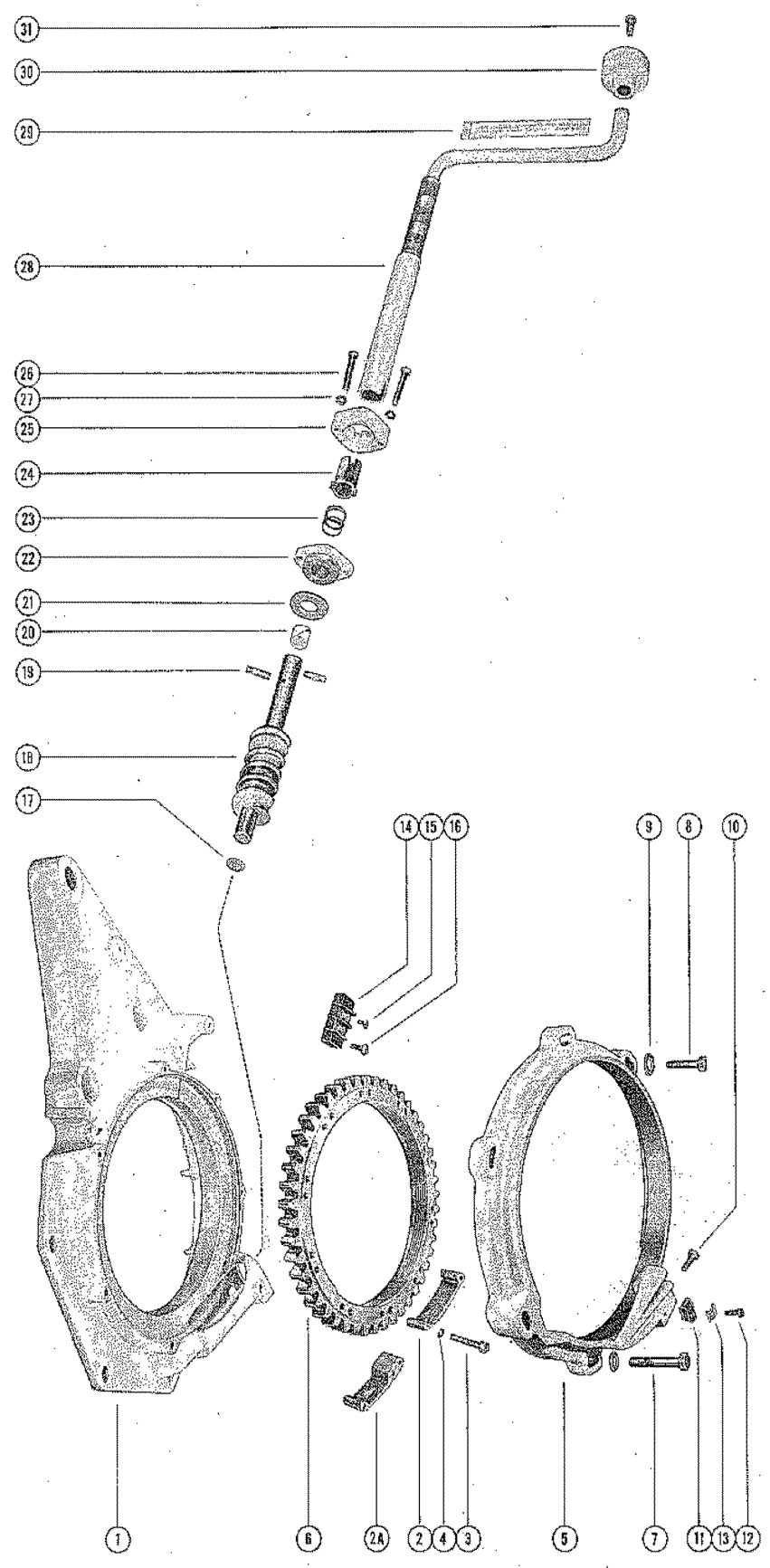


INNER TRANSOM PLATE, CLAMP NUT AND CRANK ASSEMBLY

REF. NO.	PART NO.	SYM.	QTY.	DESCRIPTION
1	34193		1,1,1,1	PALTE, TRANSOM - INNER
2	32616		1,1,1,	CATCH, CLAMP NUT (PART OF B-32416A1 LATCH ASSEMBLY)
2A	33639		,,,1	CATH, CLAMP NUT (PART OF B-33638A1 LATCH ASSEMBLY)
3	10-21365		2,2,2,	SCREW, CATCH TO CLAMP NUT
	10-32759		,,,3	SCREW, CATCH TO CLAMP NUT
4	13-21547		2,2,2,	LOCKWASHER, CATCH TO CLAMP NUT SCREW
	13-21547		,,,3	LOCKWASHER, CATCH TO CLAMP NUT SCREW
-	32300A1		1,1,1,1	COVER ASSEMBLY, CLAMP NUT - INNER TRANSOM PLATE
5	32300		1,1,1,1	COVER, CLAMP NUT - INNER TRANSOM PLATE
6	32761		1,1,1,1	NUT,CLAMP -STEERING LEVER HOUSING TO INNER TRANSOM PLATE
7	110-25503		1,1,1,1	SCREW, CLAMP NUT COVER TO INNER TRANSOM PLATE (2")
8	10-31984		5,5,5,5	SCREW, CLAMP NUT COVER TO INNER TRANSOM PLATE (1 3/8")
9	12-20103		6,6,6,6	WASHER, CLAMP NUT COVER TO INNER TRANSOM PLATE SCREW
10	10-31983		1,1,1,1	SCREW, STEERING LEVEL HOUSING STOP - CLAMP NUT COVER
11	54-24836		1,1,1,1	CLIP, TILT STOP SWITCH LEADS TO CLAMP NUT COVER
12	10-32031		1,1,1,1	SCREW, TILT STOP SWITCH LEADS CLIP TO CLAMP NUT COVER (10-32 SELF TAPPING THREAD)
	10-25764		,,,1	SCREW, TILT STOP SWITCH LEADS CLIP TO CLAMP NUT COVER (10-32 STANDARD THREAD)
13	22789		1,1,1,1	"D" WASHER, TILT STOP SWITCH LEADS CLIP SCREW
14	32169		1,1,,	TERMINAL BLOCK, INNER TRANSOM PLATE
	30212		,,1,1	TERMINAL BLOCK, INNER TRANSOM PLATE (NOT SHOWN)
15	10-28739		4,4,,	SCREW, TILT STOP SWITCH TO TERMINAL BLOCK
	10-30663		,,2,2	SCREW, TILT STOP SWITCH TO TERMINAL BLOCK
16	10-32024		2,2,2,2	SCREW, TERMINAL BLOCK TO INNER TRANSOM PLATE
17	12-31855		1,1,,	WASHER, THRUST - WORM GEAR (LOWER)
18	43-31605		1,1,1,1	GEAR, WORM - INNER TRANSOM PLATE
19	17-31728		2,2,2,2	PIN, WORM GEAR - SLEEVE AND CRANK LOCKING
20	23-31857		1,1,1,1	BUSHING, NYLON - WORM GEAR (UPPER)
21	12-31727		1,1,1,1	WASHER, THRUST - WORM GEAR TO RETAINING COVER (UPPER)
22	31631		1,1,1,1	COVER, RETAINING - WORM GEAR TO INNER TRANSOM PLATE
23	24-31729		1,1,1,1	SPRING, COMPRESSION - WORM GEAR LOCKING SLEEVE
24	23-31726		1,1,1,1	SLEEVE, WORM GEAR LOCKING
25	31730		1,1,1,1	LOCK, SPLINED - WORM GEAR LOCKING SLEEVE
26	10-21324		2,2,2,2	SCREW, WORM GEAR COVER AND LOCK TO INNER TRANSOM PLATE
27	13-26992		2,2,2,2	LOCKWASHER, WORM GEAR COVER AND LOCK TO INNER TRANSOM PLATE
28	33923A10		OPT.,OPT.,	CRANK ASSEMBLY (10")

CONTINUED ON NEXT PAGE ➡

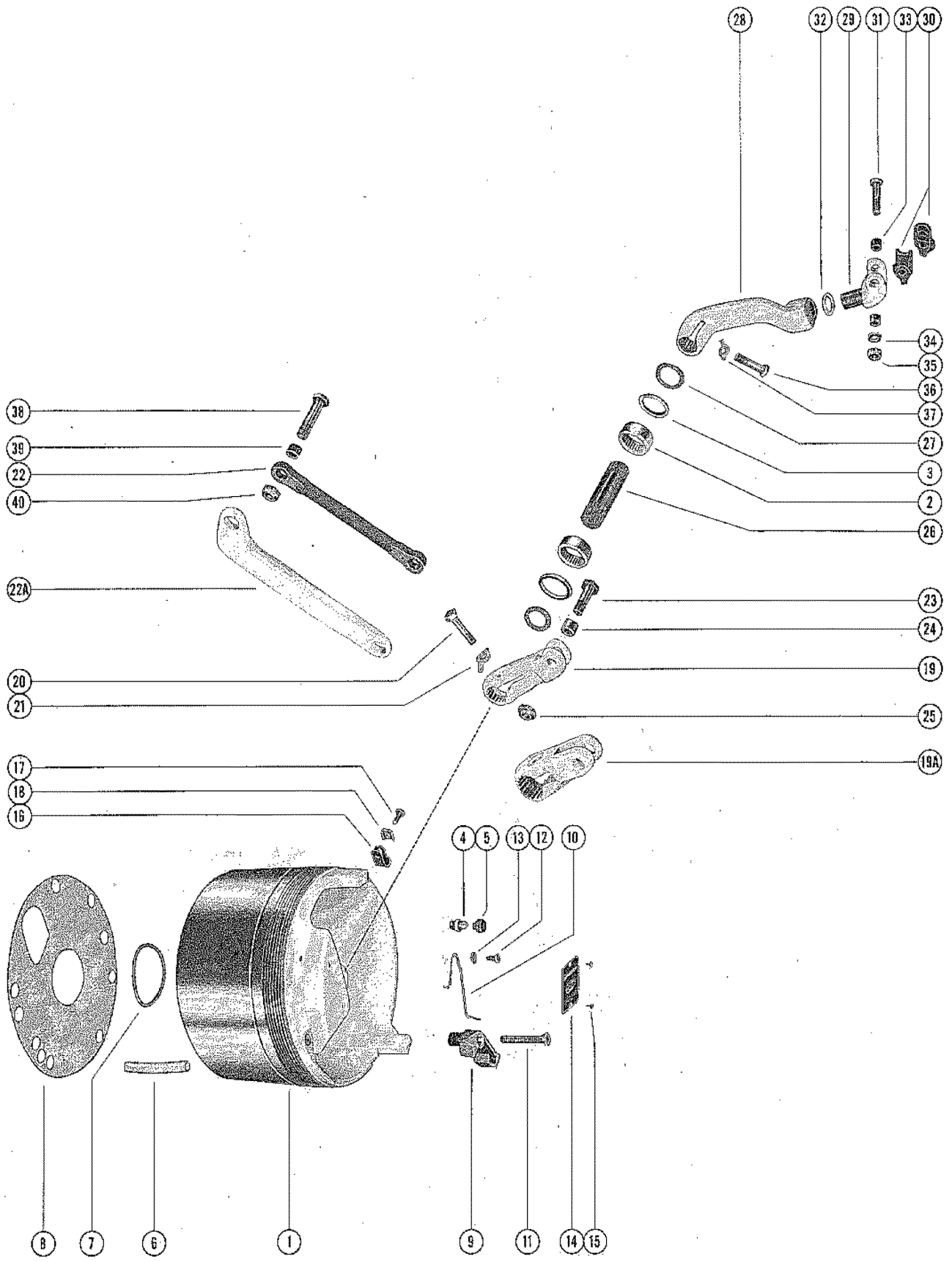
INNER TRANSOM PLATE, CLAMP NUT AND CRANK ASSEMBLY



INNER TRANSOM PLATE, CLAMP NUT AND CRANK ASSEMBLY

REF. NO.	PART NO.	SYM.	QTY.	DESCRIPTION
28	33923A16		OPT.,OPT.,	CRANK ASSEMBLY (16")
	33923A22		1,1,1,1	CRANK ASSEMBLY (22")
	33923A28		OPT.,OPT.,	CRANK ASSEMBLY
	33923A34		OPT.,OPT.,	CRANK ASSEMBLY (34")
29	37-32187		1,1,1,1	LABEL, DIRECTIONAL AND INSTRUCTIONAL - CRANK
30	31842		1,1,1,1	KNOB, CRANK
31	10-21356		1,1,1,1	SCREW, KNOB TO CRANK

STEERING LEVER HOUSING ASSEMBLY

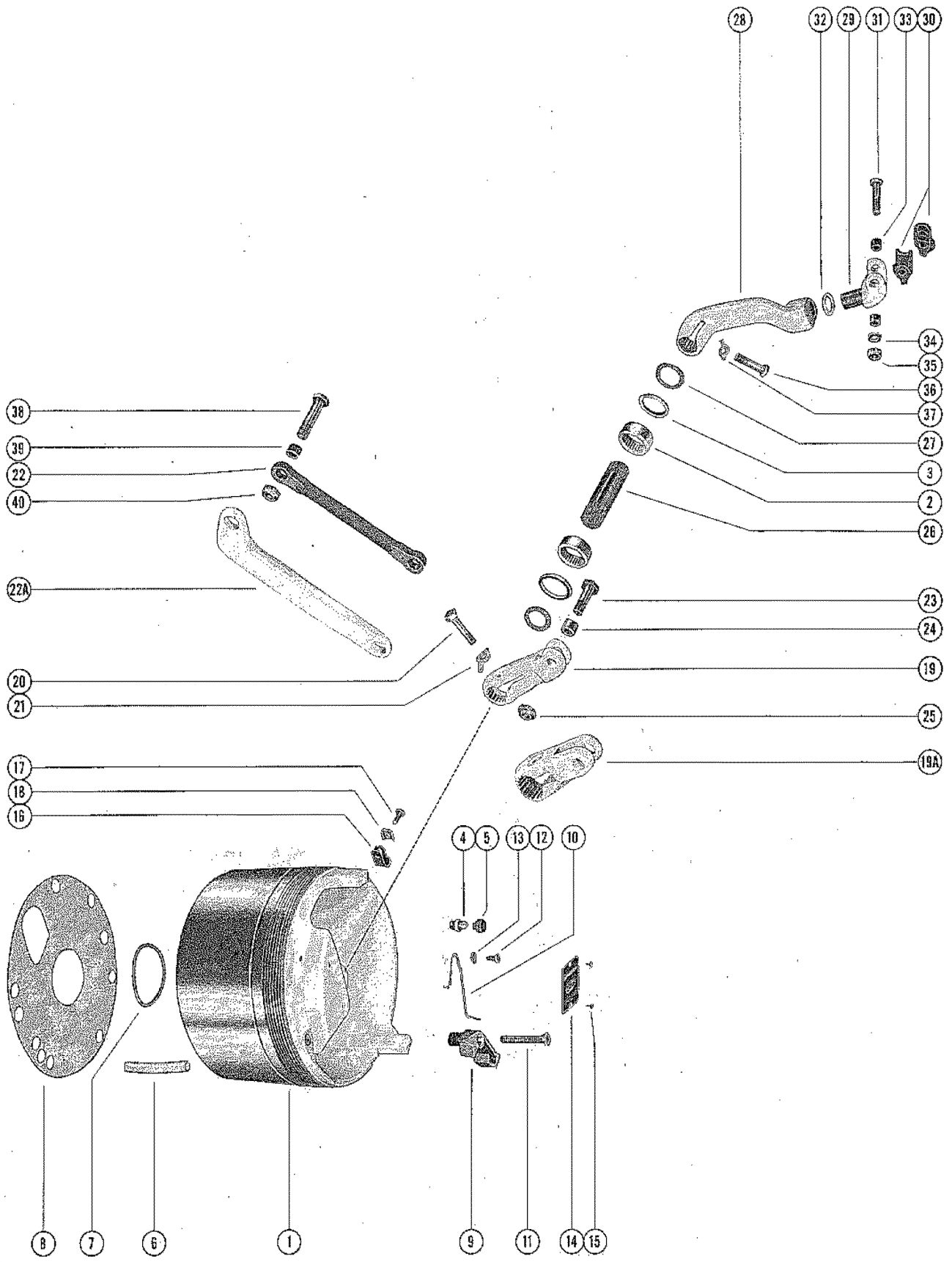


STEERING LEVER HOUSING ASSEMBLY

REF. NO.	PART NO.	SYM.	QTY.	DESCRIPTION
1	32353A1		1,,	STEERING LEVER HOUSING ASSEMBLY (3" BORE)
	31867A2		,1,,	STEERING LEVER HOUSING ASSEMBLY 2 5/8" BORE
	32760A3		,,1,1	STEERING LEVER HOUSING ASSEMBLY (2 5/8" BORE)
2	31-30457		2,2,2,2	BEARING, ROLLER - STEERING LEVER HOUSING
3	26-31851		2,2,2,2	OIL SEAL, STEERING LEVER HOUSING
4	22-23612		1,1,1,1	FITTING, GREASE - STEERING LEVER HOUSING
5	29359		1,1,1,1	LUBRICAP, STEERING LEVER HOUSING GREASE FITTING
6	32-31879		1,1,1,1	TUBE, NYLON - SHIFT ACTUATING CABLE GUIDE
7	25-34128		,,1,1	"O" RING, STEERING LEVER HOUSING
8	27-32354		1,,	GASKET, STEERING LEVER HOUSING TO GIMBAL HOUSING
	27-31876		,1,1,1	GASKET, STEERING LEVER HOUSING TO GIMBAL HOUSING
9	32416A1		1,1,,	LATCH ASSEMBLY, STEERING LEVER HOUSING
10	24-31966		1,1,,	SPRING, TORSION - LATCH
-	32616		1,1,,	CATCH, CLAMP NUT (A6 REFERENCE NO. 2)
9	32416A1		,,1,1	LATCH ASSEMBLY, STEERING LEVER HOUSING (PART OF B-32760A3 STEERING ASSEMBLY)
10	24-34381		,,1,1	SPRING, TORSION - LATCH
-	33639		,,1,1	CATCH, CLAMP NUT (A6 REFERENCE NO. 2)
11	10-31972		1,1,1,1	SCREW, LATCH TO STEERING LEVER HOUSING
12	10-29762		1,1,1,1	SCREW, TORSION SPRING TO STEERING LEVER HOUSING
13	12-28001		1,1,1,1	WASHER, TORSION SPRING TO STEERING LEVER HOUSING SCREW
14	38-31042		1,1,1,1	SEROAL PLATE
15	10-22290		2,2,2,2	SCREW, DRIVE - SERIAL PLATE TO STEERING LEVER HOUSING
16	54-24836		1,1,1,1	CLIP, TILT STOP SWITCH LEADS TO STEERING LEVER HOUSING
17	10-32031		1,1,1,1	SCREW, TILT STOP SWITCH LEADS CLIP TO STEERING LEVER HOUSING
18	22789		1,1,1,1	"D" WASHER, TILT STOP SWITCH LEADS CLIP SCREW
19	31849		1,1,1,	ARM, STEERING - LOWER
19A	34006		,,1	ARM, STEERING - LOWER
20	10-31930		1,1,1,1	SCREW, LOWER STEERING ARM TO STEERING SHAFT
21	14-31828		1,1,1,1	TAB WASHER, LOWER STEERING ARM TO STEERING SHAFT SCREW
22	31850		1,1,1,	LINK ROD, LOWER STEERING ARM TO GIMBAL RING
22A	34009		,,1	LINK ROD, LOWER STEERING ARM TO GIMBAL RING
23	10-31845		1,1,1,1	BOLT, LINK ROD TO LOWER STEERING ARM
24	23-31853		1,1,1,1	BUSHING, LINK ROD TO LOWER STEERING ARM BOLT
25	11-31847		1,1,1,1	NUT, LINK ROD TO LOWER STEERING ARM BOLT
26	31844		1,1,1,1	SHAFT, STEERING - STEERING LEVER HOUSING
27	12-31829		2,2,2,2	WASHER, NYLON - UPPER AND LOWER STEERING ARMS TO SHAFT
28	31910		1,1,1,1	ARM, STEERING - UPPER SERIAL 00000000-01602077

CONTINUED ON NEXT PAGE ➡

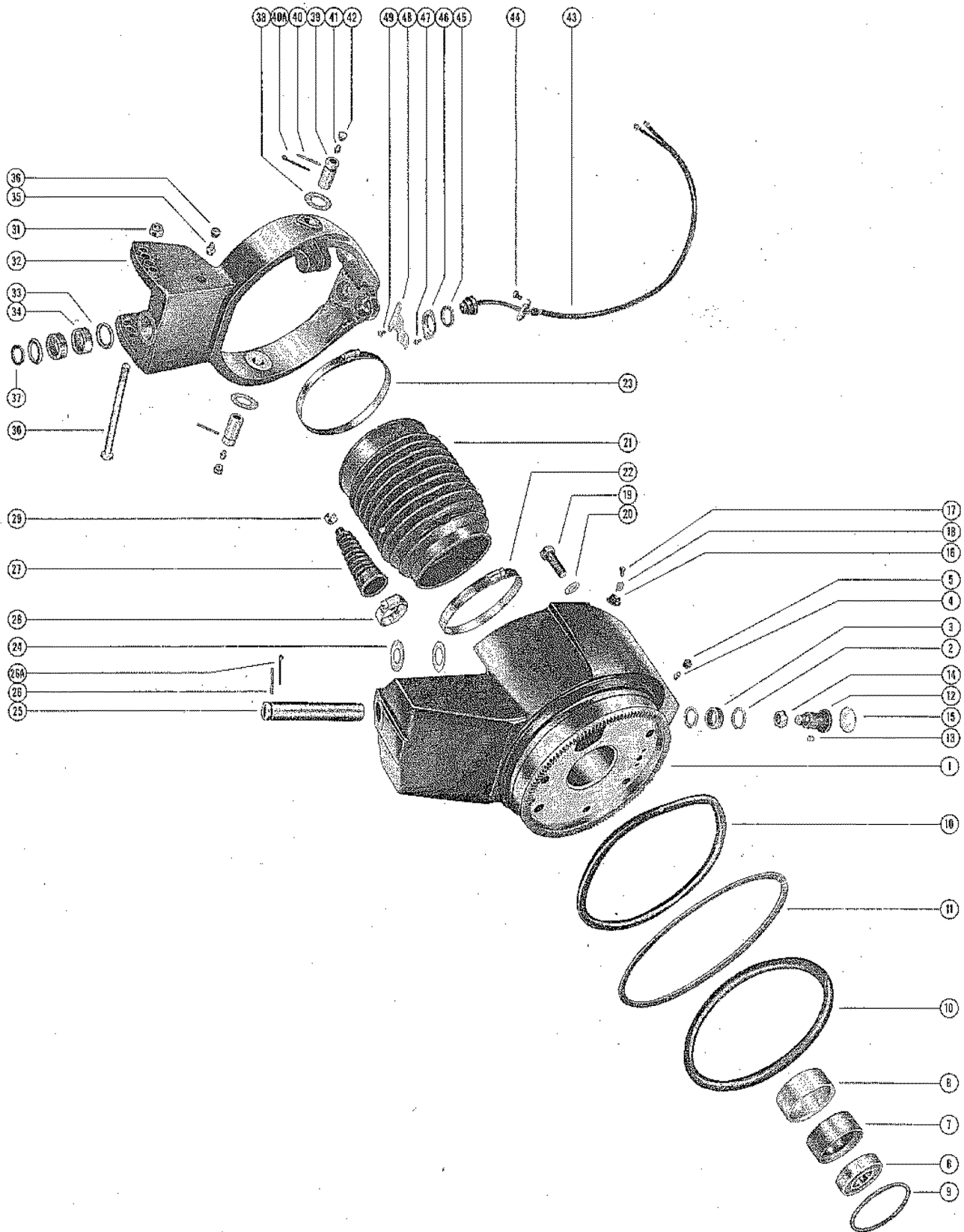
STEERING LEVER HOUSING ASSEMBLY



STEERING LEVER HOUSING ASSEMBLY

REF. NO.	PART NO.	SYM.	QTY.	DESCRIPTION
29	31911		1,1,1,1	YOKE, UPPER STEERING ARM - RIGHT HAND THREAD SERIAL 00000000-01602077
28	33775		,,,1	ARM, STEERING - UPPER SERIAL 01602078-01602185
29	33776		,,,1	YOKE, UPPER STEERING ARM - LEFT HAND THREAD SERIAL 01602078-01602185
30	25888		2,2,2,2	COUPLER HALVES, UPPER STEERING ARM YOKE
31	10-31834		1,1,1,1	SCREW, COUPLER HALVRES TO UPPER STEERING ARM YOKE
32	12-32620		1,1,1,1	WASHER, COUPLER HALVES SCREW SERIAL 00000000-01602077
33	23-31831		2,2,2,2	BUSHING, COUPLER HALVES SCREW
34	12-20084		1,1,1,1	WASHER, COUPLER HALVES SCREW
35	11-20102		1,1,1,1	NUT, COUPLER HALVES TO UPPER STEERING ARM YOKE SCREW
36	10-31830		1,1,1,1	SCREW, UPPER STEERING ARM TO STEERING SHAFT
37	14-31828		1,1,1,1	TAB WASHER, UPPER STEERING ARM TO STEERING SHAFT SCREW
38	10-31846		1,1,1,1	BOLT, LINK ROD TO GIMBAL RING
39	23-31853		1,1,1,1	BUSHING, LINK ROD TO GIMABL RING BOLT
40	11-31847		1,1,1,1	NUT, LINK ROD TO GIMBAL RING BOLT
-	37-33737		2,2,2,2	DECAL, NAME PLATE

GIMBAL HOUSING AND GIMBAL RING ASSEMBLY

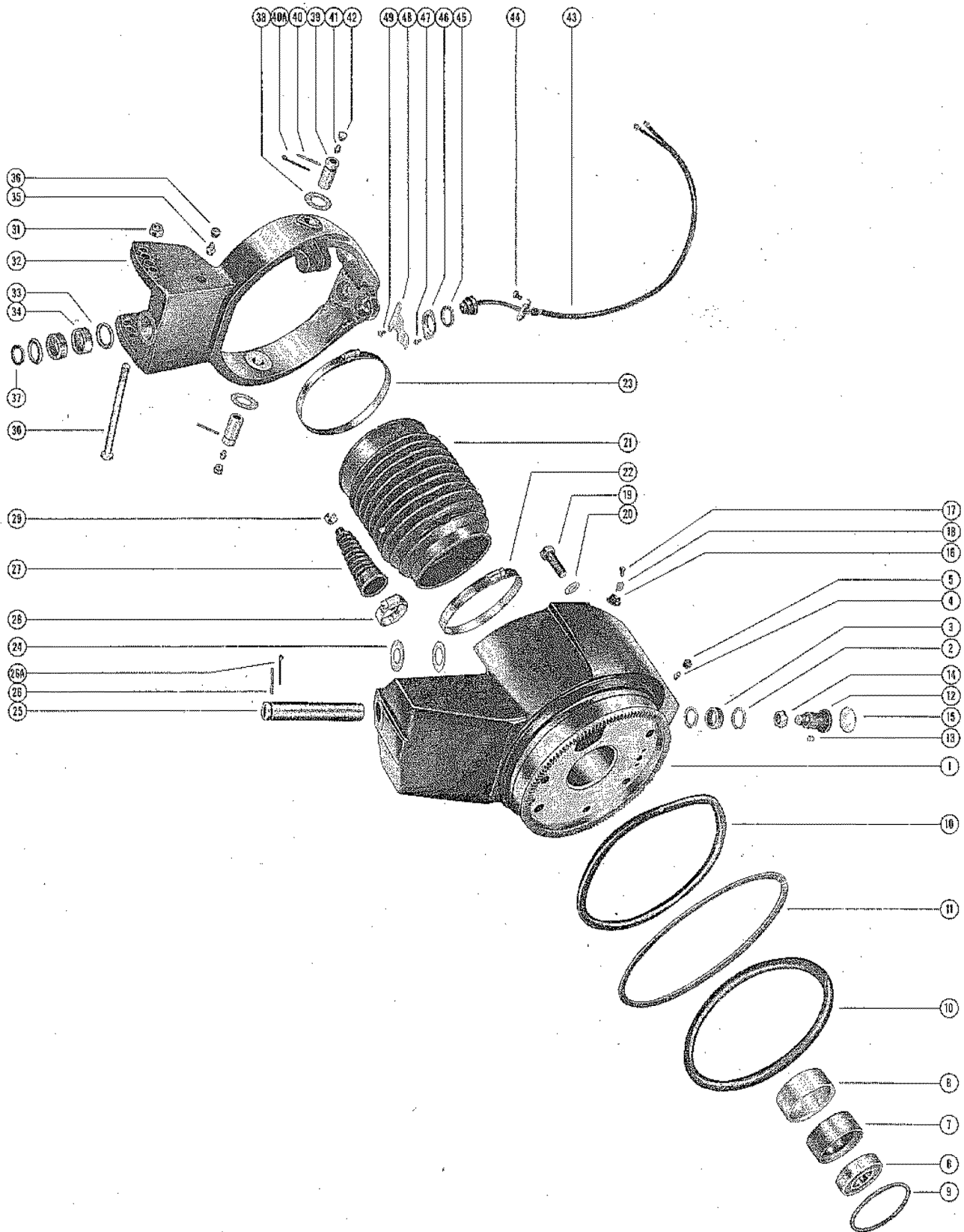


GIMBAL HOUSING AND GIMBAL RING ASSEMBLY

REF. NO.	PART NO.	SYM.	QTY.	DESCRIPTION
1	32352A1		1,,	GIMBAL HOUSING ASSEMBLY (3" BORE)
	31588A1		,1,1	GIMBAL HOUSING ASSEMBLY (2 5/8" BORE)
2	26-32911		2,2,2	OIL SEAL, GIMBAL HOUSING
3	31-31559		1,1,1	BEARING, ROLLER - GIMBAL HOUSING
4	22-31345		1,1,1	FITTING, GREASE - GIMBAL HOUSING
5	29359		1,1,1	LUBRICAP, GIMBAL HOUSING GREASE FITTING
6	30-31561		1,1,1	BEARING, BALL - GIMBAL HOUSING RUBBER MOUNT
7	31578		1,1,1	MOUNT, RUBBER - GIMBAL HOUSING BALL BEARING
8	23-32290		1,,	SLEEVE, GIMBAL HOUSING RUBBER MOUNT AND BALL BEARING
9	25-20081		1,,	"O" RING, GIMBAL HOUSING TO STEERING LEVER HOUSING
10	31635		2,2,2	SEAL, RUBBER - GIMBAL HOUSING TO OUTER TRANSOM PLATE
11	12-31653		1,1,1	WASHER, SEPARATING - GIMBAL HOUSING TO OUTER TRANSOM PLATE
12	10-31628		1,1,1	BOLT, PIVOT - GIMBAL HOISING TO GIMBAL RING (UPPER)
13	17-31627		1,1,1	PIN, UPPER PIVOT BOLT LOCKING
14	11-22339		1,1,1	NUT, GIMBAL HOUSING RING UPPER PIVOT BOLT
15	19-31843		1,1,1	WELCH PLUG, UPPER PIVOT BOLT COVER - GIMBAL HOUSING
16	54-24836		1,1,1	CLIP, TILT STOP SWITCH TO GIMBAL HOUSING
17	10-31903		1,1,1	SCREW, TILT STOP SWITCH LEADS CLIP TO GIMBAL HOUSING
18	22789		1,1,1	"D" WASHER, TILT STOP SWITCH LEADS CLIP SCREW
19	10-31877		6,6,6	SCREW, GIMBAL HOUSING TO STEERING LEVER HOUSING
20	12-20959		6,6,6	WASHER, GIMBAL HOUSING TO STEERING LEVER HOUSING SCREW
21	31607		1,1,	BELLOWS, UNIVERSAL JOINT COVERING SERIAL 00000000-01534386
	34088		,1,1	BELLOWS, UNIVERSAL JOINT COVERING SERIAL 01534387-01602185
22	54-31765		1,1,1	CLAMP. UNIVERSAL JOINT BELLOWS TO GIMBAL HOUSING (SMALL)
23	54-31767		1,1,1	CLAMP, UNIVERSAL JOINT BELLOWS TO DRIVE SHAFT HOUSING (LARGE)
24	12-31581		2,2,2	WASHER, GIMBAL HOUSING TO GIMBAL RING LOWER SWIVEL PIN
25	17-31634		1,1,1	PIN, SWIVEL - GIMBEL HOUSING TO GIMBAL RING (LOWER)
26	17-31769		1,1,	PIN, RETAINING - LOWER SWIVEL PIN SERIAL 00000000-01576065
26A	18-34159		,1,1	COTTER PIN, RETAINING - LOWER SWIVEL PIN
27	31659		1,1,1	BELLOWS, SHIFT ACTUATING CABLE COVERING
28	54-31766		1,1,1	CLAMP, SHIFT ACTUATING CABLE BELLOWS TO GIMBAL HOUSING
29	54-20386		1,1,1	CLAMP, SHIFT ACTUATING CABLE BELLOWS TO SHIFT ACTUATING CABLE
30	10-31626		1,1,1	BOLT, TILT ADJUSTMENT - GIMBAL RING

CONTINUED ON NEXT PAGE ➡

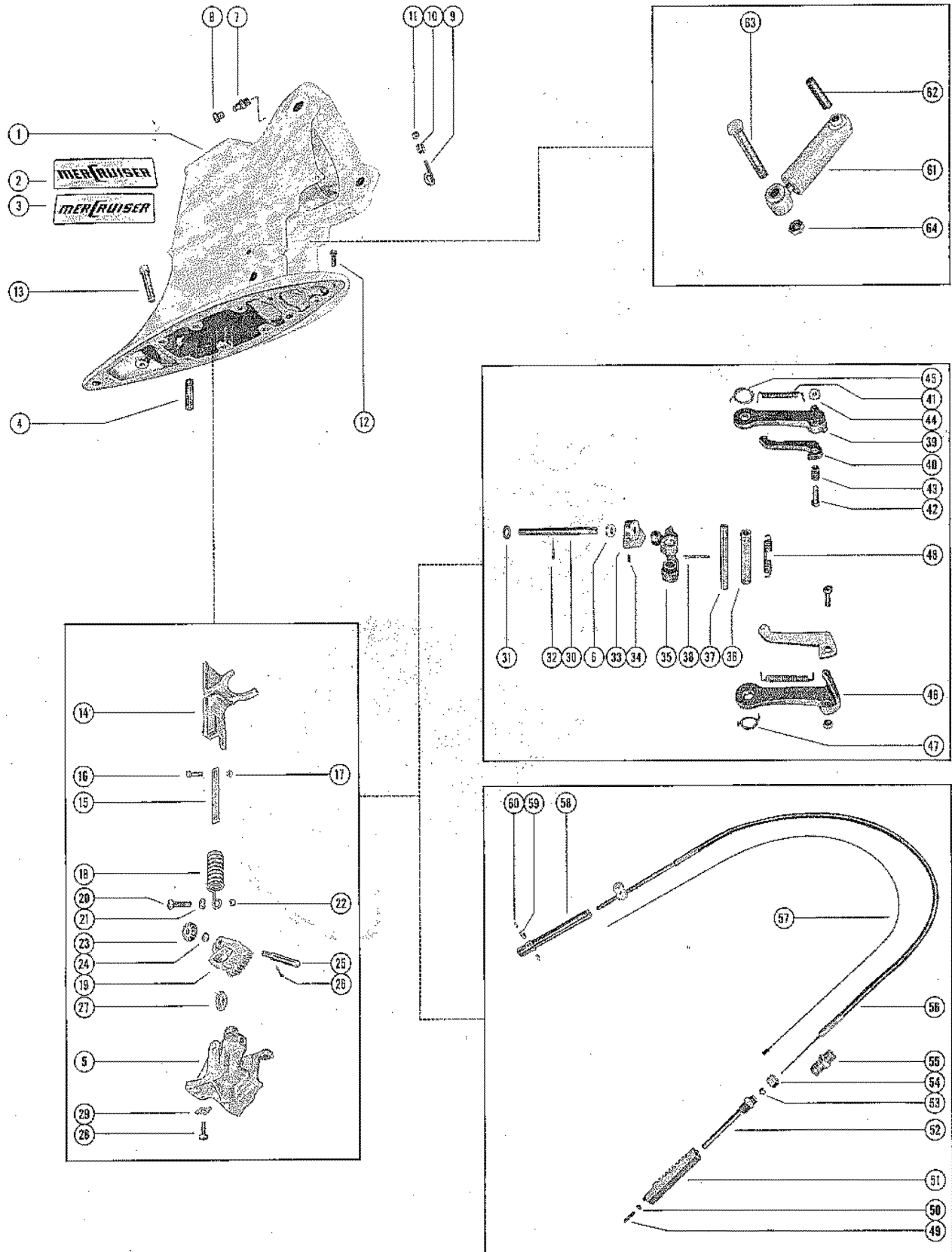
GIMBAL HOUSING AND GIMBAL RING ASSEMBLY



GIMBAL HOUSING AND GIMBAL RING ASSEMBLY

REF. NO.	PART NO.	SYM.	QTY.	DESCRIPTION
31	11-22178		1,1,1	NUT, TILT ADJUSTMENT BOLT
32	31589A1		1,1,	GIMBAL RING ASSEMBLY
	34391A2		,,1	GIMBAL RING ASSEMBLY
33	26-32911		2,2,2	OIL SEAL, GIMBAL RING
34	31-31559		2,2,2	BEARING, ROLLER - GIMBAL RING
35	22-23612		1,1,1	FITTING, GREASE - GIMBAL RING
36	29359		1,1,1	LUBRICAP, GIMBAL RING GREASE FITTING
37	23-34417		,,2	SPACER, GIMBAL RING TO GIMBAL HOUSING
38	12-31633		2,2,2	WASHER, GIMBAL RING TO DRIVE SGAFT HOUSING HINGE PIN
39	17-31579		2,2,	PIN, HINGE - GIMBAL RING TO HOUSING SERIAL 00000000-01576130
	17-34295		,2,2	*PIN, HINGE - GIMBAL RING TO HOUSING B-17-34295 HINGE PIN (2) IS PART OF B-1544-2008A8 DRIVE SHAFT ASSEMBLY. SERIAL 01576131-01602185
40	17-31769		2,2,	PIN, PIN RETAINING - GIMBAL RING SERIAL 00000000-01576065
40A	18-34212		,2,2	COTTER PIN, PIN RETAINING - GIMBAL RING SERIAL 01576066-01602185
41	22-31345		2,2,	FITTING, GREASE - GIMBSAL RING HINGE PIN SERIAL 00000000-01576130
42	29359		2,2,	LUBRICAP, HINGE PIN GREASE FITTING SERIAL 00000000-01576130
43	32676A1		1,1,1	TILT STOP SWITCH ASSEMBLY, GIMBAL RING
44	10-22469		2,2,2	SCREW, TILT STOP SWITCH COVER TO GIMBAL HOUSING
45	23-31902		1,1,1	SPACER, TILT STOP SWITCH TO RETAINING PLATE
46	31899		1,1,1	PLATE, RETAINING - TILT STOP SWITCH TO GIMBAL RING
47	10-31903		2,2,2	SCREW, RETAINING PLATE TO GIMBAL RING
48	31897		1,1,1	LEVER, TILT STOP SWITCH ACTUATING - GIMBAL RING
49	10-31903		2,2,2	SCREW, TILT STOP SWITCH ACTUATING LEVER TO GIMBAL RING

DRIVE SHAFT HOUSING ASSEMBLY AND REVERSE LOCK

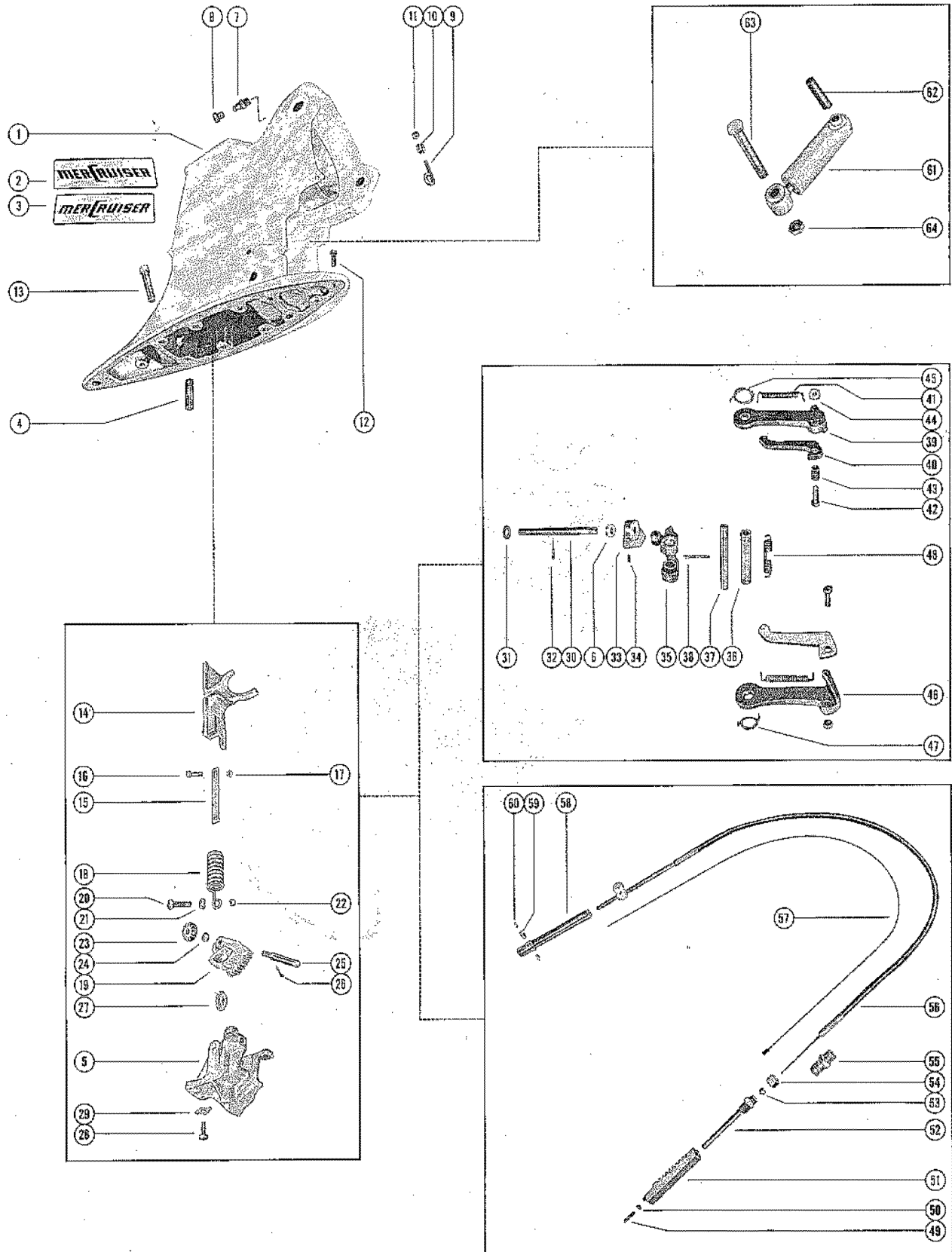


DRIVE SHAFT HOUSING ASSEMBLY AND REVERSE LOCK

REF. NO.	PART NO.	SYM.	QTY.	DESCRIPTION
1	1544-1976A3		1,,	DRIVE SHAFT HOUSING ASSEMBLY
	1544-1981A3		,1,,	DRIVE SHAFT HOUSING ASSEMBLY
	1544-2008A8		,,1,1	DRIVE SHAFT HOUSING ASSEMBLY
2	37-31698		1,1,,	DECAL, DRIVE SHAFT HOUSING - PORT (NOT AS SHOWN)
	37-32432		,,1,1	DECAL, DRIVE SHAFT HOUSING - PORT
3	37-31697		1,1,,	DECAL, DRIVE SHAFT HOUSING - STARTBOARD (NOT AS SHOWN)
	37-32431		,,1,1	DECAL, DRIVE SHAFT HOUSING - STARTBOARD
4	16-32129		,8,8,8	STUD, DRIVE SHAFT HOUSING TO GEAR HOUSING
5	31655		1,1,1,1	GUIDE, GEAR RACK - DRIVE SHAFT HOUSING
6	26-31249		1,1,1,1	OIL SEAL, REVERSE LOCK ACTUATING CAM SHAFT - DRIVE SHAFT HO
7	22-31345		,,,2	FITTING, GREASE - DRIVE SHAFT HOUSING
8	29359		,,,2	LUBRICAP, DRIVE SHAFT HOUSING GRESE FITTING
9	34057A1		1,1,1,1	EYE ASSEMBLY, SHAFT ACTUATING CABLE GUIDE (PART OF B-1544-2008A8 DRIVE SHAFT HOUSING ASSEMBLY)
10	23-34058		1,1,1,1	SPACER, SHIFT ACTUATING CABLE GUIDE EYE
11	11-34059		1,1,1,1	NUT, SHIFT ACTUATING CABLE GUIDE EYE
12	10-28668		3,3,3,3	SCREW, DRIVE SHAFT HOUSING TO GEAR HOUSING (7/8")
13	10-32064		2,,,	SCREW, DRIVE SHAFT HOUSING TO GEAR HOUSING (2 3/8")
14	31595		1,1,1,1	FORK, SHIFT SLIDING CLUTCH ACTUATING
15	31754		1,1,1,1	LINK, SECTOR GEAR TO SHIFT FORK (RIGHT HAND ROTATION)
	31692		1,1,1,1	LINK, SECTOR GEAR TO SHIFT FORK (LEFT HAND ROTATION)
16	10-31856		1,1,1,1	SCREW, LINK TO SHIFT FORK
17	11-20664		1,1,1,1	NUT, LINK TO SHIFT FORK SCREW
18	24-31703		1,1,1,1	SPRING, SECTOR GEAR TO SHIFT FORK (RINGHT HAND ROTATION)
	24-31702		1,1,1,1	SPRING, SECTOR GEAR SHIFT FORK (LEFT HAND ROTATION)
19	43-31603		1,1,1,1	GEAR, SECTOR - GEAR RACK GUIDE
20	10-31401		1,1,1,1	SCREW, SPRING AND LINK TO SECTOR GEAR
21	12-21631		1,1,1,1	WASHER, SPRING AND LINK TO SECTOR GEAR SCREW
22	11-20061		1,1,1,1	NUT, SPRING AND LINK TO SECTOR GEAR SCREW
23	43-31719		1,1,1,1	GEAR, REVERSE, LOCK - SECTOR GEAR PIVOT SHFT
24	12-30283		1,1,1,1	WASHER, SECTOR GEAR PIVOT SHAFT
25	31722		1,1,1,1	SHAFT, SPLINED - SECTOR GEAR PIVOT
26	18-20180		1,1,1,1	COTTER PIN, SECTOR GEAR PIVOT SHAFT
27	43-31719		1,1,1,1	GEAR, REVERSE LOCK ACTUATING CAM SHAFT
28	10-32124		4,4,4,4	SCREW, GEAR RACK TO DRIVE SHAFT HOUSING
29	14-31651		4,4,4,4	TAB WASHER, GEAR RACK GUIDE TO DRIVE SHAFT HOUSING SCREW
30	31647		1,1,1,1	SHAFT, SPLINED - REVERSE LOCK ACTUATING CAM
31	12-29629		1,1,1,1	WASHER, REVERSE LOCK ACTUATING CAM SHAFT
32	18-31839		1,1,1,1	COTTER PIN, REVERSE LOCK ACTUATING CAM SHAFT

CONTINUED ON NEXT PAGE ➡

DRIVE SHAFT HOUSING ASSEMBLY AND REVERSE LOCK

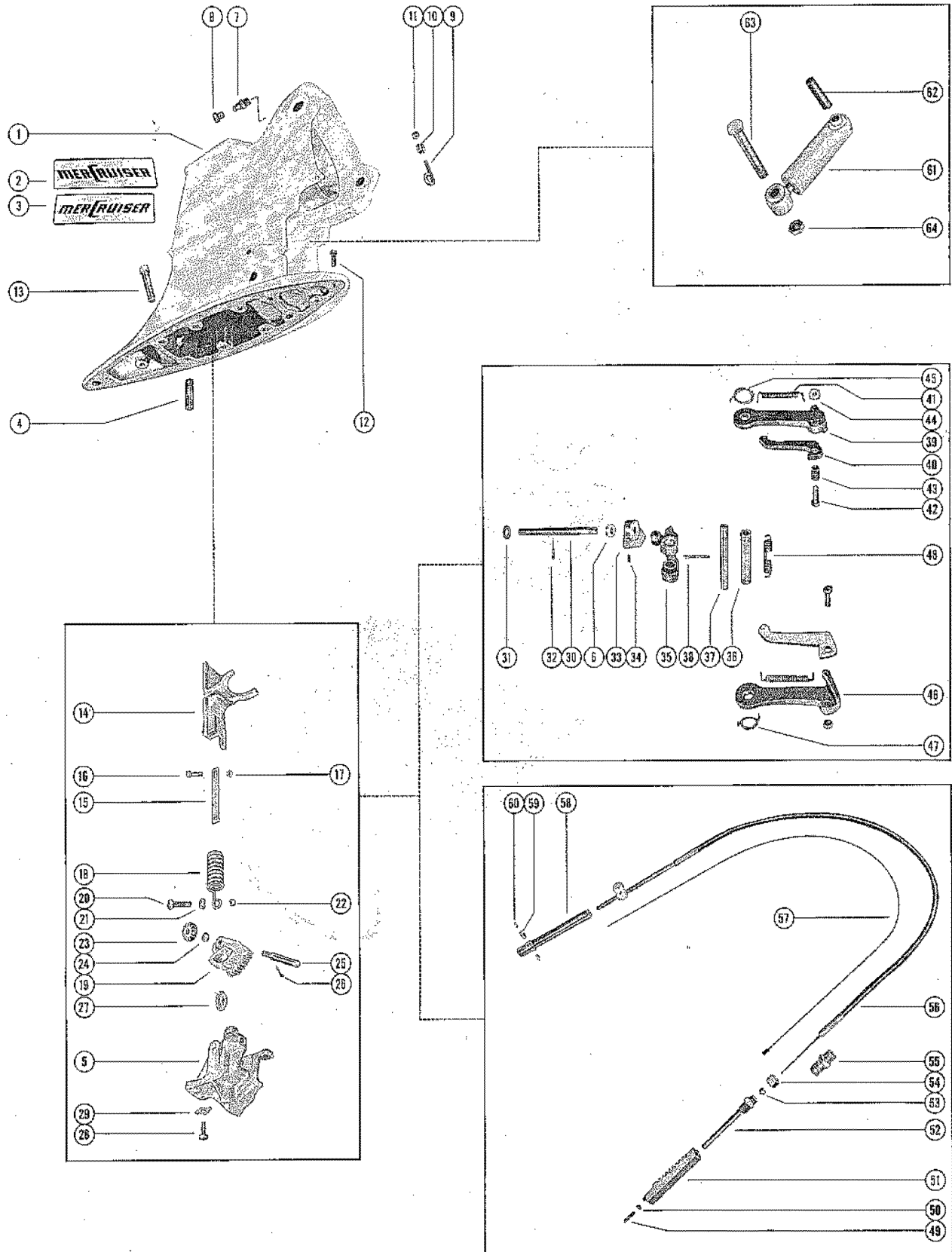


DRIVE SHAFT HOUSING ASSEMBLY AND REVERSE LOCK

REF. NO.	PART NO.	SYM.	QTY.	DESCRIPTION
33	31681		1,1,1,1	CAM, REVERSE LOCK ACTUATING (PART OF B-1544-2008A8 DRIVE SHAFT)
34	10-31685		1,1,1,1	SCREW, SET -CAM TO REVERSE LOCK ACTUATING SHAFT
35	31959A1		1,1,1,1	STOP ASSEMBLY, REVERSE LOCK
36	32195		1,1,1,1	TUBE, REVERSE LOCK PIVOT SHAFT
37	31652		1,1,1,1	SHAFT, PIVOT - REVERSE LOCK
38	18-20209		1,1,1,1	COTTER PIN, REVERSE LOCK PIVOT SHAFT AND TUBE
39	31956		1,1,1,1	ARM, REVERSE LOCK - RIGHT
	35157		,,,1	ARM, REVERSE LOCK -RIGHT
40	31955		2,2,2,2	HOOK, REVERSE LOCK - RIGHT AND LEFT
41	24-31963		2,2,2,	SPRING, TENSION - REVERSE LOCK HOOK TO REVERSE LOCK ARM SERIAL 00000000-01576065
	24-34011		,,2,2	SPRING, TENSION - REVERSE LOCK HOOK TO REVERSE LOCK ARM SERIAL 01576066-01602185
42	10-32155		2,2,2,2	SCREW, REVERSE LOCK HOOK TO REVERSE LOCK ARM
43	23-31962		2,2,2,2	SPACER.,REVERSE LOCK HOOK TO REVERSE LOCK ARM SCREW
44	11-30506		2,2,2,	NUT, REVRSE LOCK HOOK TO REVERSE LOCK ARM SCREW SERIAL 00000000-01534386
	11-33825		,,2,2	NUT, REVERSE LOCK HOOK TO REVRSE LOCK ARM SCREW SERIAL 01534387-01602185
45	24-31965		1,1,1,	SPRING, TORSION - REVERSE LOCK ARM TO STOP ASSEMBLY (RIGHT)
	24-34210		,,,1	SPRING, TENSION - REVERSE LOCK ARM TO STOP ASSEMBLY (RIGHT)
46	31957		1,1,1,	ARM, REVERSE LOCK - LEFT
	34158		,,,1	ARM REVERSE LOCK - LEFT
47	24-31964		1,1,1,	SPRING, TORSION - REVERSE LOCK ARM TO STOP ASSEMBLY (LEFT)
	24-34211		,,,1	SPRING, TORSION - REVERSE LOCK ARM TO STOP ASSEMBLY (LEFT)
48	24-34154		,,,1	SPRING, TENSION - REVERSE LOCK ARM TO REVERSE LOCK ARM
49	10-31700		1,1,1,1	SCREW, SET - SHIFT ACTUATING CABLE TO GEAR RACK
50	12-31690		1,1,1,1	WASHER, SHIFT ACTUATING CABLE - GEAR RACK
51	31573		1,1,1,1	RACK, GEAR - SHIFT ACTUATING CABLE
52	31638A1		1,,,	SUPPORT ASSEMBLY, SHIFT ACTUATING CABLE N.L.A. - ORDER B-22-32125 CONNECTOR AND B-31720A1 CABLE ASSEMBLY
53	22-31723		1,,,	SLEEVE, COMPRESSION - SHIFT ACTUATING CABLE N.L.A. - ORDER B-22-32125 CONNECTOR AND B-31720A1 CABLE ASSEMBLY
54	22-31724		1,,,	NUT, COMPRESSION - SHIFT ACTUATING CABLE TO SUPPORT N.L.A. - ORDER B-22-32125 CONNECTOR AND B-31720A1 CABLE ASSEMBLY
55	22-32125		,1,1,1	CONNECTOR, SHIFT ACTUATING CABLE
56	31720A1		1,1,1,1	CABLE ASSEMBLY, SHIFT ACTUATING

CONTINUED ON NEXT PAGE ➡

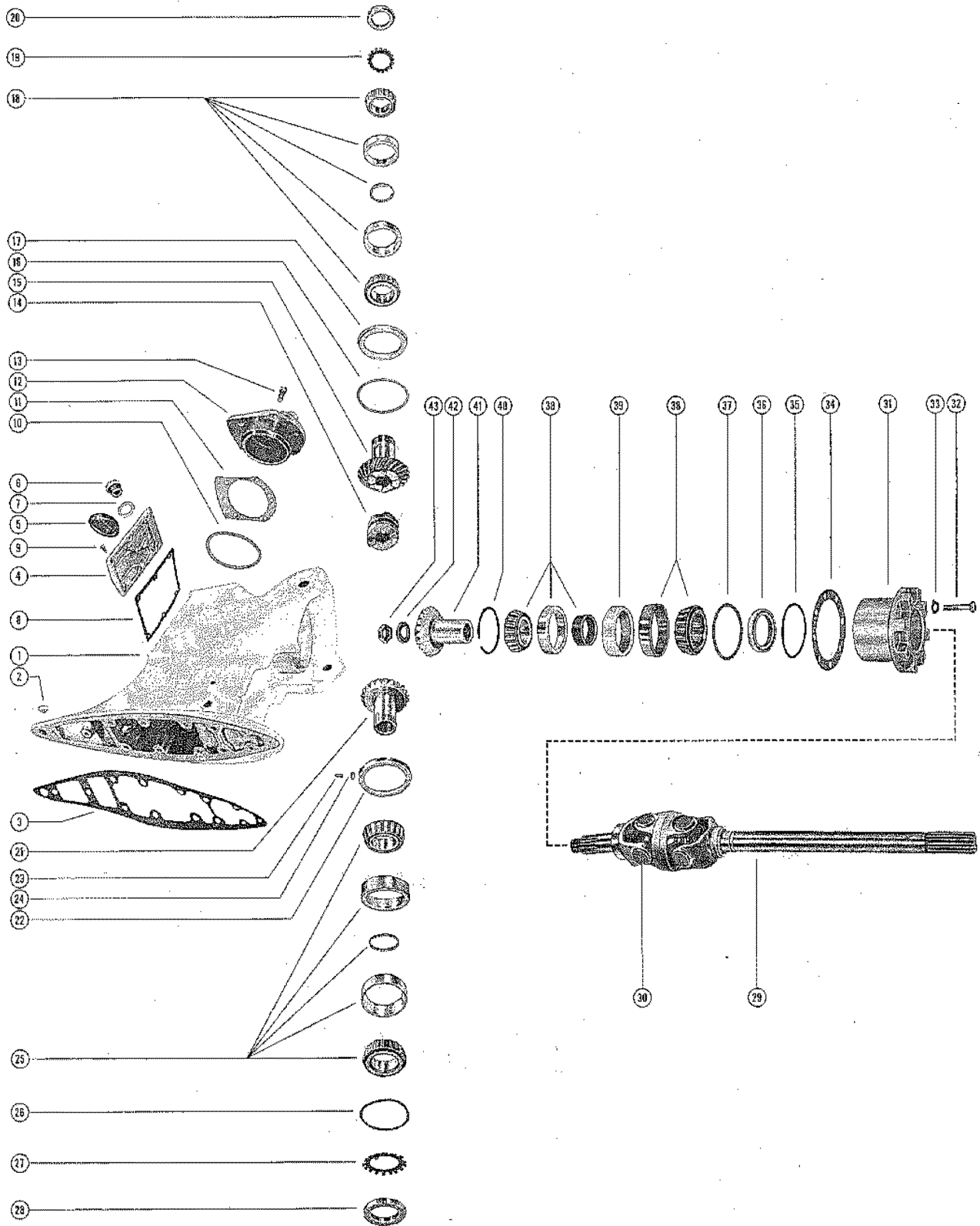
DRIVE SHAFT HOUSING ASSEMBLY AND REVERSE LOCK



DRIVE SHAFT HOUSING ASSEMBLY AND REVERSE LOCK

REF. NO.	PART NO.	SYM.	QTY.	DESCRIPTION
57	33075A1		1,1,1,1	COR WIRE AND ANCHOR ASSEMBLY, INNER SHIFT ACTUATING CABLE
58	29880		1,1,1,1	GUIDE, SHIFT ACTUATING CABLE END
59	20007		1,1,1,1	ANCHOR, SHIFT ACTUATING END
60	10-20518		2,2,2,2	SCREW, SET - ANCHOR TO SHIFT ACTUATING CABLE END
61	55-31689		1,1,1,1	SHOCK ABSORBER
62	17-31630		1,1,1,1	PIN, SHOCK ABSORBER TO GIMBAL RING (UPPER)
63	10-32196		1,1,1,1	BOLT, SHOCK ABSORBER TO DRIVE SHAFT HOUSING (LOWER)
64	11-22339		1,1,1,1	NUT, SHOCK ABSORBERS TO DRIVE SHAFT HOUSING BOLT

DRIVE SHAFT HOUSING ASSEMBLY AND GEAR ASSEMBLY

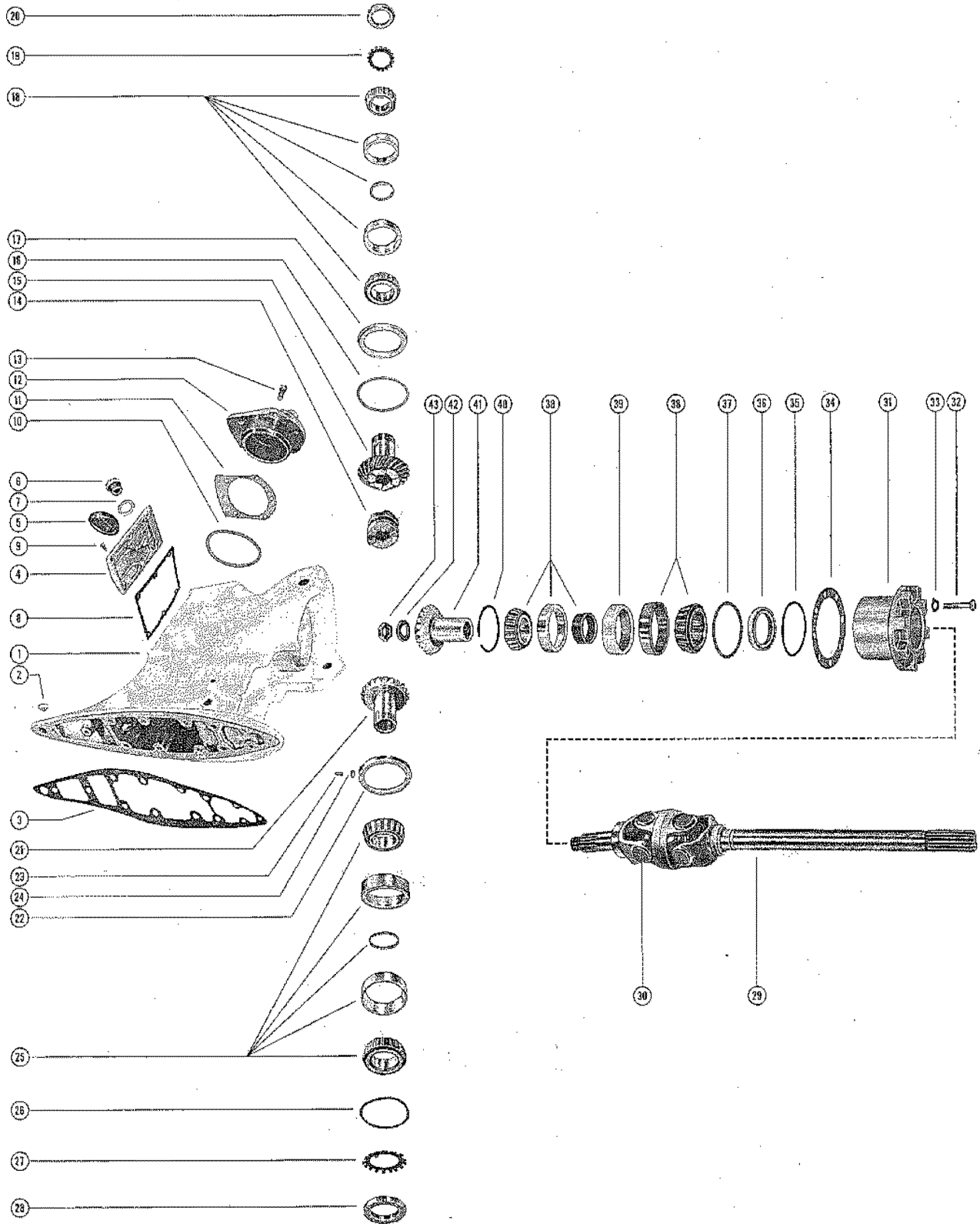


DRIVE SHAFT HOUSING ASSEMBLY AND GEAR ASSEMBLY

REF. NO.	PART NO.	SYM.	QTY.	DESCRIPTION
1	1544-1976A3		1,,	DRIVE SHAFT HOUSING ASSEMBLY A12 FOR PARTS BREAKDOWN
	1544-1981A3		,1,,	DRIVE SHAFT HOUSING ASSEMBLY A12 FOR PARTS BREAKDOWN
	1544-2008A8		,,1,1	DRIVE SHAFT HOUSING A12 FOR PARTS BREAKDOWN
2	19-29850		1,1,1,1	PLUG, TRIM TAB HOLE - DRIVE SHAFT HOUSING
3	27-31662		1,,	GASKET, DRIVE SHAFT HOUSING TO GEAR HOUSING
	27-32858		,1,,	GASKET, DRIVE SHAFT HOUSING TO GEAR HOUSING
	27-32277		,,1,1	GASKET, DRIVE SHAFT HOUSING TO GEAR HOUSING
4	31596A1		1,1,,	COVER ASSEMBLY, SHIFT FORK
	32365A1		,,1,1	COVER ASSEMBLY, SHIFT FORK
5	26183A1		1,1,1,1	EMBLEM, SHIFT FORK COVER
6	22-32018		1,1,1,1	PLUG, OIL FILLER - SHIFT FORK COVER
7	27-32019		1,1,1,1	GASKET, OIL FILTER PLUG - SHIFT FOLK COVER
8	27-31637		1,1,,	GASKET, SHIFT FORK COVER TO DRIVE SHAFT HOUSING
	27-32366		,,1,1	GASKET, SHIFT FORK COVER TO DRIVE SHAFT HOUSING
9	10-31716		6,6,6,6	SCREW, SHIFT FORK COVER TO DRIVE SHAFT HOUSING
10	25-32068		1,1,1,1	"O" RING TOP COVER SEALING
11	15-32058A1		AR,AR,,	SHIM, TOP COVER TO DRIVE SHAFT HOUSING (.002-3-5-10)
	15-32363A1		,,AR,AR	SHIM, TOP COVER TO DRIVE SHAFT HOUSING (.002-3-5-10)
12	32056		1,1,,	COVER, TOP - DRIVE SHAFT HOUSING
	32367		,,1,1	COVER, TOP - DRIVE SHAFT HOUSING (PART OF B-1544-2008A8 DRIVE SHAFT HOUSING)
13	10-31985		5,5,5,5	SCREW, TOP COVER TO DRIVE SHAFT HOUSING
14	52-31530		1,1,1,1	CLUTCH, SLIDINMG - SHIFT FORK
15	43-32261		1,1,1,1	GEAR, FORWARD
16	15-32061A1		AR,AR,AR,A	SHIM, ROLLER BEARING WASHER TO DRIVE SHAFT HOUSING (.002-3-5-10-25)
17	12-32161		1,1,1,1	WASHER, FORWARD GEAR TAPERED ROLLER BEARING
18	31-30894A4		1,1,1,1	TAPERED ROLLER BEARING ASSEMBLY, FORWARD GEAR
19	14-32054		1,1,1,1	TAB WASHER, TAPERED ROLLER BEARING TO FORWARD GEAR NUT
20	11-32060		1,1,1,1	NUT, TAPERED TROLLER BEARING TO FORWARD GEAR
21	43-32262		1,1,1,1	GEAR, REVERSE
22	32087		1,1,1,1	RETAINER, REVERSE GEAR TAPERED ROLLER BEARING CUP
-	32108		1,,	BALL, TAPERED ROLLER BEARING CUP RETAINER LOCKING
-	10-32106		1,,	SCREW, SET - TAPERED ROLLER BEARING CUP RETAINER LOCKING
23	10-32130		,2,2,2	SCREW, SET - TAPERED ROLLER BEARING CUP RETAINER
24	11-26484		,2,2,2	NUT, JAM TAPERED ROLLER BEARING CUP RETAINER SCREW
25	31-30894A4		1,1,1,1	TAPERED ROLLER BEARING ASSEMBLY, REVERSSSE GEAR
26	15-32057A1		AR,AR,AR,A	SHIM, REVERSE GEAR BEING CUP TO DRIVE SHAFT HOUSING (.002-3-5-10-25)

CONTINUED ON NEXT PAGE ➡

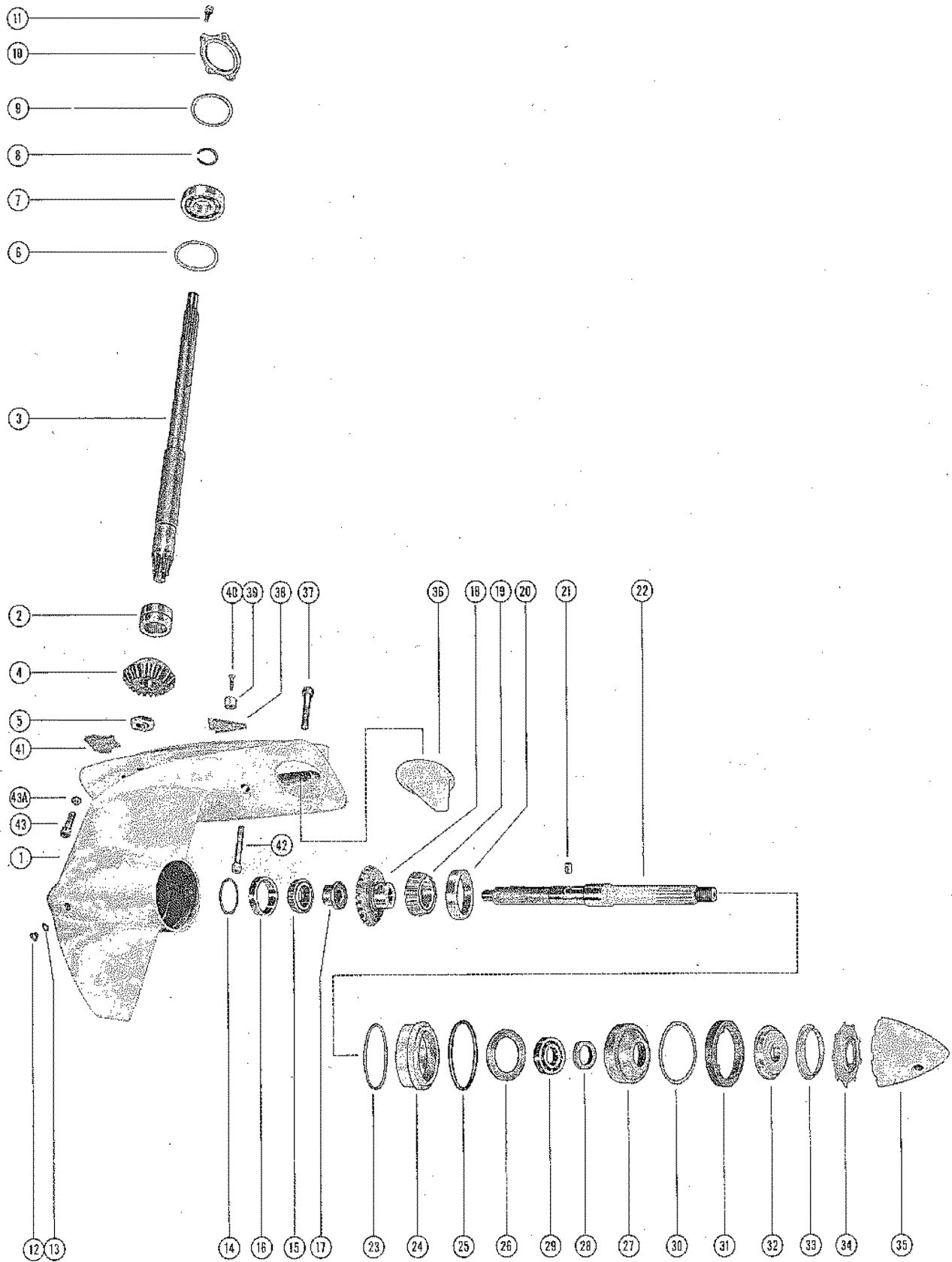
DRIVE SHAFT HOUSING ASSEMBLY AND GEAR ASSEMBLY



DRIVE SHAFT HOUSING ASSEMBLY AND GEAR ASSEMBLY

REF. NO.	PART NO.	SYM.	QTY.	DESCRIPTION
27	14-32054		1,1,1,1	TAB WASHER, TAPERED ROLLER BEARING TO REVERSE GEAR NUT
28	11-32060		1,1,1,1	NUT, TAPERED ROLLER BEARING TO REVERSE GEAR
29	32051		1,1,1,1	UNIVERSAL JOINT, PINION GEAR
30	36312		2,2,2,2	CROSS AND BEARING ASSEMBLY, UNIVERSAL JOINT
31	31576		1,1,1,1	RETAINER, PINION GEAR ROLLER BEARING
32	10-32132		8,8,8,8	SCREW, ROLLER BEARING RETAINER TO DRIVE SHAFT HOUSING
33	14-31828		8,8,8,8	TAB WASHER, ROLLER BEARING RETAINER TO DRIVE SHAFT HOUSING SCREW
34	15-32062A1		AR,AR,AR,A	SHIM, PINION GEAR BEARING RETAINER TO DRIVE SHAFT HSG. (002-3-5-10-25)
35	25-32069		1,1,1,1	"O" RING, PINION GEAR ROLLER BEARING RETAINER
36	26-32080		1,1,1,1	OIL SEAL, PINION GEAR ROLLER BEARING RETAINER
37	15-32057A1		AR,AR,AR,A	SHIM, PINION GEAR ROLLER BEARING CUP TO RETAINER (002-3-5-10-25)
38	31-30894A3		1,1,1,1	TAPERED ROLLER BEARING ASSEMBLY PINION GEAR
39	23-32066		1,1,1,1	SPACER, PINION GEAR ROLLER BEARING CUPS
40	53-32185		1,1,1,1	RING, RETAINER - PINION GEAR ROLLER BEARING CUP TO RETAINER
41	43-32260		1,1,1,1	GEAR, PINION - UNIVERSAL JOINT
42	12-32073		1,1,1,1	WASHER, PINION GEAR TO UNIVERSAL JOINT NUT
43	11-30499		1,1,1,1	NUT, PINION GEAR TO UNIVERSAL JOINT
-	92-27109		1,1,1,1	ADHESIVE COMPOUND, (3 1/2 OUNCE KIT) - EMBLEM FASTENING

GEAR HOUSING ASSEMBLY, COMPLETE

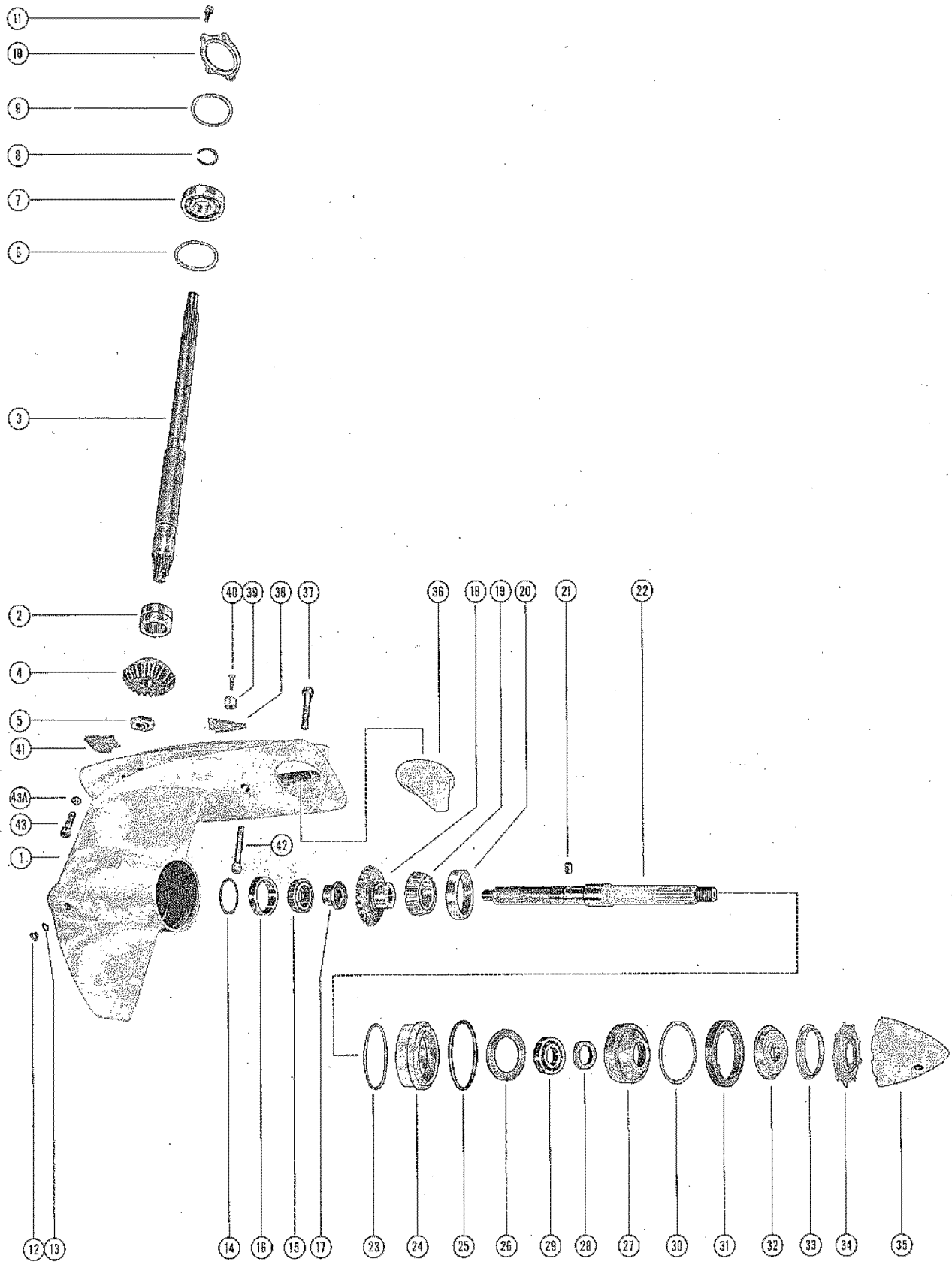


GEAR HOUSING ASSEMBLY, COMPLETE

REF. NO.	PART NO.	SYM.	QTY.	DESCRIPTION
-	1625-1929A2		1,,	GEAR HOUSING ASSEMBLY, COMPLETE
-	1625-1982A2		,1,	GEAR HOUSING ASSEMBLY, COMPLETE
-	16252007A		,,1	GEAR HOUSING ASSEMBLY, COMPLETE
1	1625-1929A1		1,,	GEAR HOUSING ASSEMBLY
	1625-1982A1		,1,	GEAR HOUSING ASSEMBLY
	1625-2007A1		,,1	GEAR HOUSING ASSEMBLY
2	31-31544		1,1,1	BEARING, ROLLER - DRIVE SHAFT
3	45-31542		1,1,1	DRIVE SHAFT
4	43-31527		1,1,1	GEAR, PINION - DRIVE SHAFT
5	11-31538		1,1,1	NUT, PINION GEAR TO DRIVE SHAFT
6	15-20928A1		AR,AR,AR	SHIM, DRIVE SHAFT BALL BEARING TO GEAR HOUSING (.002-3-5-10)
7	30-32165		1,1,1	BEARING, BALL - DRIVE SHAFT
8	53-31539		1,1,1	RING. SNAP - BALL BEARING TO GEAR HOUSING
9	15-20928A1		AR,AR,AR	SHIM, DRIVE SHAFT BALL BEARING TO RETAINER (.002-3-5-10)
10	31541		1,1,1	RETAINER, BALL BEARING - DRIVE SHAFT
11	10-30225		4,4,4	SCREW, BALL BEARING RETAINER TO GEAR HOUSING
12	10-28634		1,1,1	SCREW, GEAR HOUSING GREASE FILLER HOLE
13	12-20260		1,1,1	WASHER, GEAR HOUSING GREASE FILLER HOLE SCSREW
14	15-31154A1		AR,AR,AR	SHIM, TAPERED ROLLER BEARING CUP TO GEAR HSG. (.002-3-5-10)
15	31-31215A1		1,1,1	TAPERED ROLLER BEARING ASSEMBLY, PROPELLER SHAFT
16	31-31216		1,1,1	CUP, TAPERED ROLLER
17	31556		1,1,1	ADAPTOR, TAPERED ROLLER BEARING TO PROPELLER SHAFT
18	43-31526		1,1,1	GEAR, PROPELLER - PROPELLER SHAFT
19	31-30894A1		1,1,1	TAPERED ROLLER BEARING ASSEMBLY, PROPELLER GEAR
20	31-31092		1,1,1	CUP, TAPERED ROLLER BEARING
21	17-31537		1,1,1	PIN DOWEL - PROPELLER GEAR TP PROPELLER SHAFT
22	44-32245		1,1,1	SHAFT, PROPELLER
23	15-31535A1		AR,AR,AR	SHIM, BEARING CARRIER TO GEAR HOUSING (>002-3-5-10_)
24	31533		1,1,1	CARRIER, BEARING - PROPELLER GEAR TAPERED ROLLER BEARING
25	25-31534		1,1,1	>"O" RING, BEARING CARRIER TO GEAR HOUSING COVER
26	32248		1,1,1	RING, BALL BEARING TO GEAR HOUSING COVER
27	32244A1		1,1,1	COVER ASSEMBLY, GEAR HOUSING
28	26-31554		1,1,1	OIL SEAL, GEAR HOUSING COVER
29	30-20840		1,1,1	BEARING, BALL - GEAR HOUSING COVER
30	12-31536		1,1,1	WASHER, GEAR HOUSING COVER TO RETSAINER
31	32247		1,1,1	RETAINER, GEAR HOUSING COVER

CONTINUED ON NEXT PAGE ➡

GEAR HOUSING ASSEMBLY, COMPLETE



GEAR HOUSING ASSEMBLY, COMPLETE

REF. NO.	PART NO.	SYM.	QTY.	DESCRIPTION
32	31643A1		1,1,1	THRUST HUB AND WASHER ASSEMBLY, PROPELLER SHAFT
33	12-31642		1,1,1	WASHER, CUPPED - THRUST HUB
34	14-31644		1,1,1	TAB WASHER, PROPELLER SHAFT
35	11-31608		1,1,1	NUT, PROPELLER - PROPELLER SHAFT
36	31640		1,1,1	TRIM TAB, GEAR HOUSING
37	10-31709		1,1,1	SCREW, TRIM TAB TO GEAR HOUSING
38	35-32200		,1,1	SCREEN FILTER - GEAR HOUSING (REAR) SERIAL 01475090-01602185
39	32209		,1,1	MAGNET, GEAR HOUSING SERIAL 01475090-01602185
40	10-28667		,1,1	SCREW, MAGNET TO GEAR HOUSING SERIAL 01475090-01602185
41	35-32250		,1,1	SCREEN, FILTER - GEAR HOUSING (FRONT) SERIAL 01475090-01602185
42	10-31717		1,1,1	SCREW, GEAR HOUSING TO DRIVE SHAFT HOUSING
43	10-31718		7,,	SCREW, GEAR HOUSING TO DRIVE SHAFT HOUSING
	10-31718		,1,1	SCREW, GEAR HOUSING TO DRIVE SHAFT HOUSING
	11-22178		,8,8	NUT, DRIVE SHAFT HOUSING TO GEAR HOUSING STUDS

PARTS INDEX

Part Number	Description	Pg.	Ref. No.	Part Number	Description	Pg.	Ref. No.
16252007A	GEAR HOUSING ASSEMBLY, COMPLETE	31	-	31576	RETAINER,PONION GEAR ROLLER BEARING	29	31
20007	ANCHOR, SHIFT ACTUATING END	25	59	31578	MOUNT, RUBBER - GIMBAL HOUSING BALL BEARING	17	7
22789	"D" WASHER, LOCK-IN LIMIT SWITCH LEADS CLIP SCREW	5	46	31588A1	GIMBAL HOUSING ASSEMBLY (2 5/8" BORE)	17	1
22789	"D" WASHER, TILT STOP SWITCH LEADS CLIP SCREW	9	13	31589A1	GIMBAL RING ASSEMBLY	19	32
22789	"D" WASHER, TILT STOP SWITCH LEADS CLIP SCREW	13	18	31595	FORK, SHIFT SLIDING CLUTCH ACTUATING	21	14
22789	"D" WASHER, TILT STOP SWITCH LEADS CLIP SCREW	17	18	31596A1	COVER ASSEMBLY, SHIFT FORK	27	4
22834	BALL, WORM GEAR (LOWER)	3	12	31607	BELLOWS, UNIVERSAL JOINT COVERING	17	21
25888	COUPLER HALVES, UPPER STEERING ARM YOKE	15	30	31631	COVER, RETAINING - WORM GEAR TO INNER TRANSOM PLATE	9	22
26183A1	EMBLEM, SHIFT FORK COVER	27	5	31635	SEAL, RUBBER - GIMBAL HOUSING TO OUTER TRANSOM PLATE	17	10
29359	LUBRICAP, DRIVE SHAFT HOUSING GRESE FITTING	21	8	31636	SEAL, RUBBER - OUTER TRANSOM PLATE	3	32
29359	LUBRICAP, GIMBAL HOUSING GREASE FITTING	17	5	31638A1	SUPPORT ASSEMBLY, SHIFT ACTUATING CABLE	23	52
29359	LUBRICAP, GIMBAL RING GREASE FITTING	19	36	31640	TRIM TAB, GEAR HOUSING	33	36
29359	LUBRICAP, HINGE PIN GREASE FITTING	19	42	31643A1	THRUST HUB AND WASHER ASSEMBLY, PROPELLER SHAFT	33	32
29359	LUBRICAP, INNER TRANSOM PLATE GREASE FITTING	3	10	31647	SHAFT, SPLINED - REVERSE LOCK ACTUATING CAM	21	30
29359	LUBRICAP, INNER TRANSOM PLATE GREASE FITTING	3	16	31652	SHAFT, PIVOT - REVERSE LOCK	23	37
29359	LUBRICAP, STEERING LEVER HOUSING GREASE FITTING	13	5	31655	GUIDE, GEAR RACK - DRIVE SHAFT HOUSING	21	5
29880	GUIDE, SHIFT ACTUATING CABLE END	25	58	31659	BELLOWS, SHIFT ACTUATING CABLE COVERING	17	27
30212	TERMINAL BLOCK, INNER TRANSOM PLATE (NOT SHOWN)	9	14	31681	CAM, REVERSE LOCK ACTUATING	23	33
30706	TUBE,STEERING CABLE GUIDE (7/8" OD)	7	65	31692	LINK, SECTOR GEAR TO SHIFT FORK (LEFT HAND ROTATION)	21	15
30866A2	SWITCH ASSEMBLY, CUT-OUT - INNER TRANSOM PLATE	3	17	31720A1	CABLE ASSEMBLY, SHIFT ACTUATING	23	56
31533	CARRIER, BEARING - PROPELLER GEAR TAPERED ROLLER BEARING	31	24	31722	SHAFT, SPLINED - SECTOR GEAR PIVOT	21	25
31541	RETAINER, BALL BEARING - DRIVE SHAFT	31	10	31730	LOCK, SPLINED - WORM GEAR LOCKING SLEEVE	9	25
31556	ADAPTOR, TAPERED ROLLER BEARING TO PROPELLER SHAFT	31	17	31754	LINK, SECTOR GEAR TO SHIFT FORK (RIGHT HAND ROTATION)	21	15
				31833	RING, SWIVEL - CABLE GUIDE TUBE PIVOT YOKE	7	61
				31842	KNOB, CRANK	11	30
				31844	SHAFT, STEERING - STEERING LEVER HOUSING	13	26
				31849	ARM, STEERING - LOWER	13	19

PARTS INDEX

Part Number	Description	Pg.	Ref. No.	Part Number	Description	Pg.	Ref. No.
31867A2	STEERING LEVER HOUSING ASSEMBLY 2 5/8" BORE	13	1	32416A1	LATCH ASSEMBLY, STEERING LEVER HOUSING	13	9
31897	LEVER, TILT STOP SWITCH ACTUATING - GIMBAL RING	19	48	32463A2	ARM ASSEMBLY, CUT-OUT SWITCH ACTUATING	3	19
31899	PLATE, RETAINING - TILT STOP SWITCH TO GIMBAL RING	19	46	32464	PLUNGER, SWITCH ACTUATING ARM	3	20
31910	ARM, STEERING - UPPER	13	28	32616	CATCH, CLAMP NUT (A6 REFERENCE NO. 2)	13	--
31911	YOKE, UPPER STEERING ARM - RIGHT HAND THREAD	15	29	32616	CATCH, CLAMP NUT (PART OF B-32416A1 LATCH ASSEMBLY)	9	2
31912	YOKE, CABLE GUIDE TUBE PIVOT - STEERING CABLE BRACKET	7	60	32676A1	TILT STOP SWITCH ASSEMBLY, GIMBAL RING	19	43
31955	HOOK, REVERSE LOCK - RIGHT AND LEFT	23	40	32760A3	STEERING LEVER HOUSING ASSEMBLY (2 5/8" BORE)	13	1
31956	ARM, REVERSE LOCK - RIGHT	23	39	32761	NUT, CLAMP - STEERING LEVER HOUSING TO INNER TRANSOM PLATE	9	6
31957	ARM, REVERSE LOCK - LEFT	23	46	32788	DISC, THRUST - WORM GEAR (LOWER)	3	11
31959A1	STOP ASSEMBLY, REVERSE LOCK	23	35	32795	LINER, OUTER TRANSOM PLATE	3	33
32051	UNIVERSAL JOINT, PINION GEAR	29	29	33075A1	COR WIRE AND ANCHOR ASSEMBLY, INNER SHIFT ACTUATING CABLE	25	57
32056	COVER, TOP - DRIVE SHAFT HOUSING	27	12	33501	RETAINER, SPRING AND PLUNGER TO SWITCH ACTUATING ARM	3	22
32087	RETAINER, REVERSE GEAR TAPERED ROLLER BEARING CUP	27	22	33639	CATCH, CLAMP NUT (A6 REFERENCE NO. 2)	13	--
32108	BALL, TAPERED ROLLER BEARING CUP RETAINER LOCKING	27	--	33639	CATH, CLAMP NUT (PART OF B-33638A1 LATCH ASSEMBLY)	9	2A
32169	TERMINAL BLOCK, INNER TRANSOM PLATE	9	14	33775	ARM, STEERING - UPPER	15	28
32195	TUBE, REVERSE LOCK PIVOT SHAFT	23	36	33776	YOKE, UPPER STEERING ARM - LEFT HAND THREAD	15	29
32209	MAGNET, GEAR HOUSING	33	39	33923A10	CRANK ASSEMBLY (10")	9	28
32244A1	COVER ASSEMBLY, GEAR HOUSING	31	27	33923A16	CRANK ASSEMBLY (16")	11	28
32247	RETAINER, GEAR HOUSING COVER	31	31	33923A22	CRANK ASSEMBLY (22")	11	28
32248	RING, BALL BEARING TO GEAR HOUSING COVER	31	26	33923A28	CRANK ASSEMBLY	11	28
32276A2	PLATE ASSEMBLY, TRANSOM - OUTER	3	31	33923A34	CRANK ASSEMBLY (34")	11	28
32300	COVER, CLAMP NUT - INNER TRANSOM PLATE	9	5	34006	ARM, STEERING - LOWER	13	19A
32300A1	COVER ASSEMBLY, CLAMP NUT - INNER TRANSOM PLATE	9	-	34009	LINK ROD, LOWER STEERING ARM TO GIMBAL RING	13	22A
32352A1	GIMBAL HOUSING ASSEMBLY (3" BORE)	17	1	34051A2	SWITCH ASSEMBLY, LOCK-IN LIMIT - OUTER TRANSOM PLATE	5	41
32353A1	STEERING LEVER HOUSING ASSEMBLY (3" BORE)	13	1	34056	COVER, LOCK - IN LIMIT SWITCH - INNER TRANSOM PLATE	3	2
32365A1	COVER ASSEMBLY, SHIFT FORK	27	4	34057A1	EYE ASSEMBLY, SHAFT ACTUATING CABLE GUIDE	21	9
32367	COVER, TOP - DRIVE SHAFT HOUSING	27	12	34060	PLUNGER, OUTER TRANSOM PLATE	5	42
				34088	BELLOWS, UNIVERSAL JOINT COVERING	17	21

PARTS INDEX

Part Number	Description	Pg.	Ref. No.	Part Number	Description	Pg.	Ref. No.
34125	YOKE, CABLE GUIDE TUBE PIVOT - STEERING CABLE BRACKET	7	60	10-30225	SCREW, BALL BEARING RETAINER TO GEAR HOUSING	31	11
34158	ARM REVERSE LOCK - LEFT	23	46	10-30663	SCREW, TILT STOP SWITCH TO TERMINAL BLOCK . . .	9	15
34193	PALTE, TRANSOM - INNER .	9	1	10-30902	SCREW, CUT-OUT SWITCH TO INNER PLATE	3	18
34193	PLATE, TRANSOM - INNER .	3	1	10-31401	SCREW, SPRING AND LINK TO SECTOR GEAR	21	20
34193A3	PLATE ASSEMBLY, TRANSOM - INNER	3	-	10-31600	SCREW, OUTER TRANSOM PLATE TO INNER TRANSOM PLATE	5	37
34193A4	PLATE ASSEMBLY, TRANSOM - INNER	3	-	10-31600	SCREW, OUTER TRANSOM PLATE TO INNER TRANSOM PLATE	5	37
34214	ARM, SHIFT CABLE MOUNTING - STEERING BRACKET	3	4	10-31626	BOLT, TILT ADJUSTMENT - GIMBAL RING	17	30
34391A2	GIMBAL RING ASSEMBLY . .	19	32	10-31628	BOLT, PIVOT - GIMBAL HOISING TO GIMBAL RING (UPPER)	17	12
34762A1	PLATE ASSEMBLY, INHIBITOR - OUTER TRANSOM PLATE	5	34	10-31685	SCREW, SET -CAM TO REVERSE LOCK ACTUATING SHAFT	23	34
35157	ARM, REVERSE LOCK -RIGHT	23	39	10-31700	SCREW, SET - SHIFT ACTUATING CABLE TO GEAR RACK	23	49
36312	CROSS AND BEARING ASSEMBLY, UNIVERSAL JOINT	29	30	10-31709	SCREW, TRIM TAB TO GEAR HOUSING	33	37
10-20518	SCREW, SET - ANCHOR TO SHIFT ACTUATING CABLE END	25	60	10-31716	SCREW, SHIFT FORK COVER TO DRIVE SHAFT HOUSING	27	9
10-21324	SCREW, WORM GEAR COVER AND LOCK TO INNER TRANSOM PLATE .	9	26	10-31717	SCREW, GEAR HOUSING TO DRIVE SHAFT HOUSING .	33	42
10-21356	SCREW, KNOB TO CRANK .	11	31	10-31718	SCREW, GEAR HOUSING TO DRIVE SHAFT HOUSING .	33	43
10-21365	SCREW, CATCH TO CLAMP NUT	9	3	10-31718	SCREW, GEAR HOUSING TO DRIVE SHAFT HOUSING .	33	43
10-22290	SCREW, DRIVE - SERIAL PLATE TO STEERING LEVER HOUSING	13	15	10-31830	SCREW, UPPER STEERING ARM TO STEERING SHAFT	15	36
10-22469	SCREW, TILT STOP SWITCH COVER TO GIMBAL HOUSING	19	44	10-31832	BOLT, PIVOT - CABLE TUBE PIVOT YOKE TO SWIVEL RING	7	62
10-22659	SCREW, SHIFT ACTUATINGCABLE TO SHIFT CABLE MOUNTING ARM	5	52	10-31834	SCREW, COUPLER HALVRES TO UPPER STEERING ARM YOKE . .	15	31
10-22659	SCREW, SHIFT CABLE ASSEMBLY TO SHIFT CABLE MOUNTING ARM .	5	56	10-31845	BOLT, LINK ROD TO LOWER STEERING ARM	13	23
10-25764	SCREW, TILT STOP SWITCH LEADS CLIP TO CLAMP NUT COVER	9	12	10-31846	BOLT, LINK ROD TO GIMBAL RING	15	38
10-26668	SCREW, COVER TO INNER TRANSOM PLATE	3	3	10-31852	SCREW, OUTER TRANSOM PLATE TO INNER TRANSOM PLATE (5") . . .	5	36
10-28634	SCREW, GEAR HOUSING GREASE FILLER HOLE . .	31	12	10-31856	SCREW, LINK TO SHIFT FORK	21	16
10-28667	SCREW, MAGNET TO GEAR HOUSING	33	40	10-31877	SCREW, GIMBAL HOUSING TO STEERING LEVER HOUSING	17	19
10-28668	SCREW, DRIVE SHAFT HOUSING TO GEAR HOUSING (7/8")	21	12	10-31903	SCREW, RETAINING PLATE TO GIMBAL RING	19	47
10-28739	SCREW, TILT STOP SWITCH TO TERMINAL BLOCK . . .	9	15				

PARTS INDEX

Part Number	Description	Pg.	Ref. No.	Part Number	Description	Pg.	Ref. No.
10-31903	SCREW, TILT STOP SWITCH ACTUATING LEVER TO GIMBAL RING	19	49	10-34763	SCREW, INHIBITOR PLATE TO OUTER TRANSOM PLATE	5	35
10-31903	SCREW, TILT STOP SWITCH LEADS CLIP TO GIMBAL HOUSING	17	17	11-20061	NUT, SPRING AND LINK TO SECTOR GEAR SCREW	21	22
10-31930	SCREW, LOWER STEERING ARM TO STEERING SHAFT	13	20	11-20102	NUT, COUPLER HALVES TO UPPER STEERING ARM YOKE SCREW	15	35
10-31972	SCREW, LATCH TO STEERING LEVER HOUSING	13	11	11-20361	NUT, CABLE MOUNTING BRACKET TO SHIFT CABLE END GUIDE STUD	5	50
10-31983	SCREW, STEERING LEVEL HOUSING STOP - CLAMP NUT COVER	9	10	11-20361	NUT, SHIFT ACTUATING CABLE TO SHIFT CABLE MOUNTING ARM SCREW	5	55
10-31984	SCREW, CLAMP NUT COVER TO INNER TRANSOM PLATE (1 3/8")	9	8	11-20361	NUT, SHIFT CABLE ASSEMBLY TO SHIFT CABLE MOUNTING ARM SCREW	7	59
10-31985	SCREW, TOP COVER TO DRIVE SHAFT HOUSING	27	13	11-20361	NUT, SWITCH ACTUATING ARM CABLE STUD	3	25
10-32024	SCREW, TERMINAL BLOCK TO INNER TRANSOM PLATE	9	16	11-20664	NUT, LINK TO SHIFT FORK SCREW	21	17
10-32031	SCREW, LOCK-IN LIMIT SWITCH LEADS CLIP	5	45	11-21528	NUT, SHIFT CABLE MOUNTING ARM TO STEERING CABLE BRACKET	3	8
10-32031	SCREW, TILT STOP SWITCH LEADS CLIP TO CLAMP NUT COVER	9	12	11-21528	NUT, SWITCH ACTUATING ARM TO INNER TRANSOM STUD	3	29
10-32031	SCREW, TILT STOP SWITCH LEADS CLIP TO STEERING LEVER HOUSING	13	17	11-22178	NUT, DRIVE SHAFT HOUSING TO GEAR HOUSING STUDS	33	43
10-32064	SCREW, DRIVE SHAFT HOUSING TO GEAR HOUSING (2 3/8")	21	13	11-22178	NUT, TILT ADJUSTMENT BOLT	19	31
10-32106	SCREW, SET - TAPERED ROLLER BEARING CUP RETAINER LOCKING	27	--	11-22339	NUT, GIMBAL HOUSING RING UPPER PIVOT BOLT	17	14
10-32124	SCREW, GEAR RACK TO DRIVE SHAFT HOUSING	21	28	11-22339	NUT, SHOCK ABSORBERS TO DRIVE SHAFT HOUSING BOLT	25	64
10-32130	SCREW, SET - TAPERED ROLLER BEARING CUP RETAINER	27	23	11-26484	NUT, JAM TAPERED ROLLER BEARING CUP RETAINER SCREW	27	24
10-32132	SCREW, ROLLER BEARING RETAINER TO DRIVE SHAFT HOUSING	29	32	11-28040	NUT, OUTER TRANSOM PLATE TO INNER TRANSOM PLATE SCREW	5	40
10-32155	SCREW, REVERSE LOCK HOOK TO REVERSE LOCK ARM	23	42	11-28040	NUT, OUTER TRANSOM PLATE TO INNER TRANSOM PLATE SCREW (1/2-2	5	40
10-32196	BOLT, SHOCK ABSORBER TO DRIVE SHAFT HOUSING (LOWER)	25	63	11-29031	NUT, CABLE MOUNTING BRACKET TO SHIFT CABLE AND GUIDE STUD	5	48
10-32759	SCREW, CATCH TO CLAMP NUT	9	3	11-30499	NUT, PINION GEAR TO UNIVERSAL JOINT	29	43
10-34013	SCREW, OUTER TRANSOM PLATE TO INNER TRANSOM PLATE	5	37	11-30506	NUT, REVRSE LOCK HOOK TO REVERSE LOCK ARM SCREW	23	44
10-34055	SCREW, LOCK-IN LIMIT SWITCH TO OUTER TRANSOM PLATE	5	43	11-30708	NUT, JAM - STEERING CABLE GUIDE TIBE	7	64

PARTS INDEX

Part Number	Description	Pg.	Ref. No.	Part Number	Description	Pg.	Ref. No.
11-31608	NUT, PROPELLER - PROPELLER SHAFT	33	35	12-31581	WASHER, GIMBAL HOUSING TO GIMBAL RING LOWER SWIVEL PIN	17	24
11-31847	NUT, LINK ROD TO GIMBAL RING BOLT	15	40	12-31633	WASHER, GIMBAL RING TO DRIVE SGAFT HOUSING HINGE PIN	19	38
11-31847	NUT, LINK ROD TO LOWER STEERING ARM BOLT . . .	13	25	12-31642	WASHER, CUPPED - THRUST HUB	33	33
11-31847	NUT, OUTER TRANSOM PLATE TO INNER TRANSOM PLATE SCREW	5	39	12-31653	WASHER, SEPARATING - GIMBAL HOUSING TO OUTER TRANSOM PLATE	17	11
11-32060	NUT, TAPERED ROLLER BEARING TO REVERSE GEAR	29	28	12-31690	WASHER, SHIFT ACTUATING CABLE - GEAR RACK	23	50
11-32060	NUT, TAPERED TROLLER BEARING TO FORWARD GEAR	27	20	12-31727	WASHER, THRUST - WORM GEAR TO RETAINING COVER (UPPER)	9	21
11-33825	NUT, REVERSE LOCK HOOK TO REVRSE LOCK ARM SCREW	23	44	12-31760	WASHER, SHIFT ACTUATING CABLE SCREW 2	5	54
11-34059	NUT, SHIFT ACTUATING CABLE GUIDE EYE	21	11	12-31760	WASHER, SHIFT CABLE ASSEMBLY SCREW	7	58
11-34087	NUT, OUTER TRANSOM PLATE TO INNER TRANSOM PLATE SCREW	5	40	12-31829	WASHER, NYLON - UPPER AND LOWER STEERING ARMS TO SHAFT	13	27
12-20084	WASHER, COUPLER HALVES SCREW	15	34	12-31855	WASHER, THRUST - WORM GEAR (LOWER)	9	17
12-20103	WASHER, CLAMP NUT COVER TO INNER TRANSOM PLATE SCREW	9	9	12-32073	WASHER, PINION GEAR TO UNIVERSAL JOINT NUT .	29	42
12-20260	WASHER, GEAR HOUSING GREASE FILLER HOLE SCSREW	31	13	12-32161	WASHER, FORWARD GEAR TAPERED ROLLER BEARING	27	17
12-20546	WASHER, SWITCH ACTUATING ARM TO INNER TRANSOM PLATE STUD	3	28	12-32620	WASHER, COUPLER HALVES SCREW	15	32
12-20959	WASHER, GIMBAL HOUSING TO STEERING LEVER HOUSING SCREW	17	20	12-32620	WASHER, OUTER TRANSOM PLATE TO INNER TRANSOM PLATE SCREW	3	30
12-21631	WASHER, SPRING AND LINK TO SECTOR GEAR SCREW	21	21	13-21547	LOCKWASHER, CATCH TO CLAMP NUT SCREW	9	4
12-21900	WASHER, OUTER TRANSOM PLATE TO INNER TRANSOM PLATE SREW .	5	38	13-21547	LOCKWASHER, CATCH TO CLAMP NUT SCREW	9	4
12-26825	WASHER, SHIFT CABLE MOUNTING STUD	3	6	13-26992	LOCKWASHER, WORM GEAR COVER AND LOCK TO INNER TRANSOM PLATE	9	27
12-28001	WASHER, TORSION SPRING TO STEERING LEVER HOUSING SCREW	13	13	13-31848	LOCKWASHER, PIVOT YOKE TO SWIVEL RING PIVOT BOLT	7	63
12-29245	WASHER, SHIFT CABLE END GUIDE STUD	5	49	14-31644	TAB WASHER, PROPELLER SHAFT . . .	33	34
12-29245	WASHER, SWITCH ACTUATING ARM CABLE STUD	3	24	14-31651	TAB WASHER, GEAR RACK GUIDE TO DRIVE SHAFT HOUSING SCREW	21	29
12-29629	WASHER, REVERSE LOCK ACTUATING CAM SHAFT	21	31	14-31828	TAB WASHER, LOWER STEERING ARM TO STEERING SHAFT SCREW	13	21
12-30283	WASHER, SECTOR GEAR PIVOT SHAFT	21	24	14-31828	TAB WASHER, ROLLER BEARING RETAINER	29	33
12-31536	WASHER, GEAR HOUSING COVER TO RETSAINER .	31	30				

PARTS INDEX

Part Number	Description	Pg.	Ref. No.	Part Number	Description	Pg.	Ref. No.
14-32054	TAB WASHER, TAPERED ROLLER BEARING TO FORWARD GEAR NUT ..	27	19	17-31627	PIN, UPPER PIVOT BOLT LOCKING	17	13
14-32054	TAB WASHER, TAPERED ROLLER BEARING TO REVERSE GEAR NUT ...	29	27	17-31630	PIN, SHOCK ABSORBER TO GIMBAL RING (UPPER) ..	25	62
15-20928A1	SHIM, DRIVE SHAFT BALL BEARING TO GEAR HOUSING (.002-3-5-10 ...)	31	6	17-31634	PIN, SWIVEL - GIMBEL HOUSING TO GIMBAL RING (LOWER)	17	25
15-20928A1	SHIM, DRIVE SHAFT BALL BEARING TO RETAINER (.002-3-5-10)	31	9	17-31728	PIN, WORM GEAR - SLEEVE AND CRANK LOCKING ..	9	19
15-31154A1	SHIM, TAPERED ROLLER BEARING CUP TO GEAR HSG. (.002-3-5-10)	31	14	17-31769	PIN, PIN RETAINING - GIMBAL RING	19	40
15-31535A1	SHIM, BEARING CARRIER TO GEAR HOUSING (>.002- 3-5-10_)	31	23	17-31769	PIN, RETAINING - LOWER SWIVEL PIN	17	26
15-32057A1	SHIM, PINION GEAR ROLLER BEARING CUP TO RETAINER	29	37	17-34295	*PIN, HINGE - GIMBAL RING TO HOUSING	19	39
15-32057A1	SHIM, REVERSE GEAR BEING CUP TO DRIVE SHAFT HOUSING	27	26	18-20180	COTTER PIN, SECTOR GEAR PIVOT SHAFT	21	26
15-32058A1	SHIM, TOP COVER TO DRIVE SHAFT HOUSING (.002-3-5-10)	27	11	18-20209	COTTER PIN, REVERSE LOCK PIVOT SHAFT AND TUBE	23	38
15-32061A1	SHIM, ROLLER BEARING WASHER TO DRIVE SHAFT HOUSING	27	16	18-31839	COTTER PIN, REVERSE LOCK ACTUATING CAM SHAFT	21	32
15-32062A1	SHIM, PINION GEAR BEARING RETAINER TO DRIVE SHAFT HSG.	29	34	18-34159	COTTER PIN, RETAINING - LOWER SWIVEL PIN	17	26A
15-32363A1	SHIM, TOP COVER TO DRIVE SHAFT HOUSING (.002-3-5-10)	27	11	18-34212	COTTER PIN, PIN RETAINING - GIMBAL RING	19	40A
16-20075	STUD, SHIFT ACTUATING CABLE TO SWITCH ACTUATING ARM	3	23	19-29850	PLUG, TRIM TAB HOLE - DRIVE SHAFT HOUSING .	27	2
16-23166	STUD, SHIFT CABLE MOUNTING ARM TO STEERING CABLE BRACKET	5	51	19-31843	WELCH PLUG, UPPER PIVOT BOLT COVER - GIMBAL HOUSING	17	15
16-30715	STUD, SHIFT CABLE MOUNTING ARM TO STEERING CABLE BRACKET	5	51	22-23612	FITTING, GREASE - GIMBAL RING	19	35
16-32129	STUD, DRIVE SHAFT HOUSING TO GEAR HOUSING	21	4	22-23612	FITTING, GREASE - INNER TRANSOM PLATE	3	15
16-32292	STUD, CABLE MOUNTING BRACKET TO SHIFT CABLE AND GUIDE	5	47	22-23612	FITTING, GREASE - STEERING LEVER HOUSING	13	4
16-32467	STUD, SWITCH ACTUATING ARM TO INNER TRANSOM PLATE (2 1/4")	3	26	22-25094	FITTING, GREASE (45) - INNER TRANSOM PLATE	3	9
17-31537	PIN DOWEL - PROPELLER GEAR TP PROPELLER SHAFT	31	21	22-31345	FITTING, GREASE - DRIVE SHAFT HOUSING	21	7
				22-31345	FITTING, GREASE - GIMBAL HOUSING	17	4
				22-31345	FITTING, GREASE - GIMBAL RING HINGE PIN	19	41
				22-31723	SLEEVE, COMPRESSION - SHIFT ACTUATING CABLE	23	53
				22-31724	NUT, COMPRESSION - SHIFT ACTUATING CABLE TO SUPPORT	23	54
				22-32018	PLUG, OIL FILLER - SHIFT FORK COVER	27	6
				22-32125	CONNECTOR, SHIFT ACTUATING CABLE	23	55

PARTS INDEX

Part Number	Description	Pg.	Ref. No.	Part Number	Description	Pg.	Ref. No.
23-27818	SPACER, SHIFT CABLE MOUNTING ARM STUD ..	3	7	24-34154	SPRING, TENSION - REVERSE LOCK ARM TO REVERSE LOCK ARM ...	23	48
23-31726	SLEEVE, WORM GEAR LOCKING	9	24	24-34210	SPRING, TENSION - REVERSE LOCK ARM TO STOP ASSEMBLY (RIGHT)	23	45
23-31757	BUSHING, NYLON - WORM GEAR (LOWER)	3	13	24-34211	SPRING, TORSION - REVERSE LOCK ARM TO STOP ASSEMBLY (LEFT)	23	47
23-31758	SPACER, SHIFT CABLE MOUNTING ARM STUD ..	3	5	24-34381	SPRING, TORSION - LATCH	13	10
23-31831	BUSHING, COUPLER HALVES SCREW	15	33	25-20081	"O" RING, GIMBAL HOUSING TO STEERING LEVER HOUSING	17	9
23-31853	BUSHING, LINK ROD TO GIMABL RING BOLT	15	39	25-31534	>"O" RING, BEARING CARRIER TO GEAR HOUSING COVER	31	25
23-31853	BUSHING, LINK ROD TO LOWER STEERING ARM BOLT	13	24	25-32068	"O" RING TOP COVER SEALING	27	10
23-31857	BUSHING, NYLON - WORM GEAR (UPPER)	9	20	25-32069	"O" RING, PINION GEAR ROLLER BEARING RETAINER	29	35
23-31866	SPACER, SHIFT ACTUATING CABLE SCREW	5	53	25-34128	"O" RING, STEERING LEVER HOUSING	13	7
23-31866	SPACER,SHIFT CABLE ASSEMBLY SCREW	7	57	26-31249	OIL SEAL, REVERSE LOCK ACTUATING CAM SHAFT - DRIVE SHAFT HO	21	6
23-31902	SPACER, TILT STOP SWITCH TO RETAINING PLATE	19	45	26-31554	OIL SEAL, GEAR HOUSING COVER	31	28
23-31962	SPACER.,REVERSE LOCK HOOK TO REVERSE LOCK ARM SCREW	23	43	26-31851	OIL SEAL, STEERING LEVER HOUSING	13	3
23-32066	SPACER, PINION GEAR ROLLER BEARING CUPS	29	39	26-32080	OIL SEAL, PINION GEAR ROLLER BEARING RETAINER	29	36
23-32290	SLEEVE, GIMBAL HOUSING RUBBER MOUNT AND BALL BEARING	17	8	26-32911	OIL SEAL, GIMBAL HOUSING	17	2
23-34058	SPACER, SHIFT ACTUATING CABLE GUIDE EYE	21	10	26-32911	OIL SEAL, GIMBAL RING ...	19	33
23-34417	SPACER, GIMBAL RING TO GIMBAL HOUSING	19	37	27-31637	GASKET, SHIFT FORK COVER TO DRIVE SHAFT HOUSING	27	8
24-31702	SPRING, SECTOR GEAR SHIFT FORK (LEFT HAND ROTATION)	21	18	27-31662	GASKET, DRIVE SHAFT HOUSING TO GEAR HOUSING	27	3
24-31703	SPRING, SECTOR GEAR TO SHIFT FORK (RINGHT HAND ROTATION)	21	18	27-31876	GASKET, STEERING LEVER HOUSING TO GIMBAL HOUSING	13	8
24-31729	SPRING, COMPRESSION - WORM GEAR LOCKING SLEEVE	9	23	27-32019	GASKET, OIL FILTER PLUG - SHIFT FOLK COVER	27	7
24-31963	SPRING, TENSION - REVERSE LOCK HOOK TO REVERSE LOCK ARM	23	41	27-32277	GASKET, DRIVE SHAFT HOUSING TO GEAR HOUSING	27	3
24-31964	SPRING, TORSION - REVERSE LOCK ARM TO STOP ASSEMBLY (LEFT)	23	47	27-32354	GASKET, STEERING LEVER HOUSING TO GIMBAL HOUSING	13	8
24-31965	SPRING, TORSION - REVERSE LOCK ARM TO STOP ASSEMBLY (RIGHT)	23	45	27-32366	GASKET, SHIFT FORK COVER TO DRIVE SHAFT HOUSING	27	8
24-31966	SPRING, TORSION - LATCH	13	10	27-32858	GASKET, DRIVE SHAFT HOUSING TO GEAR HOUSING	27	3
24-32922	SPRING, COMPRESSION - SWITCH ACTUATING ARM PLUNGER	3	21	30-20840	BEARING, BALL - GEAR HOUSING COVER	31	29

PARTS INDEX

Part Number	Description	Pg.	Ref. No.	Part Number	Description	Pg.	Ref. No.
30-31561	BEARING, BALL - GIMBAL HOUSING RUBBER MOUNT	17	6	43-31605	GEAR, WORM - INNER TRANSOM PLATE	9	18
30-32165	BEARING, BALL - DRIVE SHAFT	31	7	43-31719	GEAR, REVERSE LOCK ACTUATING CAM SHAFT	21	27
31-30457	BEARING, ROLLER - STEERING LEVER HOUSING	13	2	43-31719	GEAR, REVERSE, LOCK - SECTOR GEAR PIVOT SHFT	21	23
31-30894A1	TAPERED ROLLER BEARING ASSEMBLY, PROPELLER GEAR	31	19	43-32260	GEAR, PINION - UNIVERSAL JOINT	29	41
31-30894A3	TAPERED ROLLER BEARING ASSEMBLY PINION GEAR	29	38	43-32261	GEAR, FORWARD	27	15
31-30894A4	TAPERED ROLLER BEARING ASSEMBLY, FORWARD GEAR	27	18	43-32262	GEAR, REVERSE	27	21
31-30894A4	TAPERED ROLLER BEARING ASSEMBLY, REVERSE GEAR	27	25	44-32245	SHAFT, PROPELLER	31	22
31-31092	CUP, TAPERED ROLLER BEARING	31	20	45-31542	DRIVE SHAFT	31	3
31-31215A1	TAPERED ROLLER BEARING ASSEMBLY, PROPELLER SHAFT	31	15	52-31530	CLUTCH, SLIDING - SHIFT FORK	27	14
31-31216	CUP, TAPERED ROLLER BEARING	31	16	53-31539	RING, SNAP - BALL BEARING TO GEAR HOUSING	31	8
31-31544	BEARING, ROLLER - DRIVE SHAFT	31	2	53-32185	RING, RETAINER - PINION GEAR ROLLER BEARING CUP TO RETAINER	29	40
31-31559	BEARING, ROLLER - GIMBAL HOUSING	17	3	54-20386	CLAMP, SHIFT ACTUATING CABLE BELLOWS TO SHIFT	17	29
31-31559	BEARING, ROLLER - GIMBAL RING	19	34	54-24836	CLIP, LOCK-IN LIMIT SWITCH LEADS TO INNER TRANSOM PLATE	5	44
32-31879	TUBE, NYLON - SHIFT ACTUATING CABLE GUIDE	13	6	54-24836	CLIP, TILT STOP SWITCH LEADS TO CLAMP NUT COVER	9	11
35-32200	SCREEN FILTER - GEAR HOUSING (REAR)	33	38	54-24836	CLIP, TILT STOP SWITCH LEADS TO STEERING LEVER HOUSING	13	16
35-32250	SCREEN, FILTER - GEAR HOUSING (FRONT)	33	41	54-24836	CLIP, TILT STOP SWITCH TO GIMBAL HOUSING	17	16
37-31697	DECAL, DRIVE SHAFT HOUSING - STARTBOARD (NOT AS SHOWN)	21	3	54-31765	CLAMP, UNIVERSAL JOINT BELLOWS TO GIMBAL HOUSING (SMALL)	17	22
37-31698	DECAL, DRIVE SHAFT HOUSING - PORT (NOT AS SHOWN)	21	2	54-31766	CLAMP, SHIFT ACTUATING CABLE BELLOWS TO GIMBAL HOUSING	17	28
37-32049	LABEL, ENGINE ROTATION - INNER TRANSOM PLATE	3	14	54-31767	CLAMP, UNIVERSAL JOINT BELLOWS TO DRIVE SHAFT HOUSING (LARGE)	17	23
37-32187	LABEL, DIRECTIONAL AND INSTRUCTIONAL - CRANK	11	29	55-31689	SHOCK ABSORBER	25	61
37-32431	DECAL, DRIVE SHAFT HOUSING - STARTBOARD	21	3	92-27109	ADHESIVE COMPOUND, (3 1/2 OUNCE KIT) - EMBLEM FASTENING	29	--
37-32432	DECAL, DRIVE SHAFT HOUSING - PORT	21	2	110-25503	SCREW, CLAMP NUT COVER TO INNER TRANSOM PLATE (2")	9	7
37-33737	DECAL, NAME PLATE	15	--	1544-1976A3	DRIVE SHAFT HOUSING ASSEMBLY	21	1
38-31042	SEROAL PLATE	13	14	1544-1976A3	DRIVE SHAFT HOUSING ASSEMBLY	27	1
43-31526	GEAR, PROPELLER - PROPELLER SHAFT	31	18	1544-1981A3	DRIVE SHAFT HOUSING ASSEMBLY	21	1
43-31527	GEAR, PINION - DRIVE SHAFT	31	4	1544-1981A3	DRIVE SHAFT HOUSING ASSEMBLY	27	1
43-31603	GEAR, SECTOR - GEAR RACK GUIDE	21	19	1544-2008A8	DRIVE SHAFT HOUSING	27	1

PARTS INDEX

Part Number	Description	Pg.	Ref. No.	Part Number	Description	Pg.	Ref. No.
1544-2008A8	DRIVE SHAFT HOUSING ASSEMBLY	21	1				
1625-1929A1	GEAR HOUSING ASSEMBLY	31	1				
1625-1929A2	GEAR HOUSING ASSEMBLY, COMPLETE	31	-				
1625-1982A1	GEAR HOUSING ASSEMBLY	31	1				
1625-1982A2	GEAR HOUSING ASSEMBLY, COMPLETE	31	-				
1625-2007A1	GEAR HOUSING ASSEMBLY	31	1				