



PARTS CATALOG

MERCUISER I STERN DRIVE UNIT

SERIAL NUMBER

I 1963 1534570 THRU 1684187

TABLE OF CONTENTS:

DRIVE SHAFT HOUSING ASSEMBLY AND BELL HOUSING ASSEMBLY	16
DRIVE SHAFT HOUSING ASSEMBLY AND GEAR ASSEMBLY	22
GEAR HOUSING ASSEMBLY, COMPLETE (PAGE 1)	26
GEAR HOUSING ASSEMBLY, COMPLETE (PAGE 2)	30
GIMBAL HOUSING ASSEMBLY AND EXHAUST HOSE	8
GIMBAL RING ASSEMBLY AND STEERING LEVER	12
PARTS INDEX	34
TRANSOM PLATE AND SHIFT CABLE	2

NOTE: *Indented description indicate that these parts are included in preceeding assembly.*

AR = As Required

NSS = Not Sold Separate

OPT = Optional

NS = Not Shown

THESE PARTS BOOKS/FICHE CARD ARE COPYRIGHTED AND MAY NOT BE DISTRIBUTED OR REPRODUCED IN ANY OTHER FORMAT BY ANYONE OTHER THAN MERCURY MARINE WITHOUT THE PRIOR WRITTEN CONSENT OF MERCURY MARINE.

REPLACEMENT PARTS ! WARNING !

Electrical, ignition and fuel system components on MerCruiser Engines and Stern Drives are designed and manufactured to comply with U.S. Coast Guard Rules and Regulations to minimize risks of fire or explosion. Use of replacement electrical, ignition or fuel system components, which do not comply to these rules and regulations, could result in a fire or explosion hazard and should be voided.

When servicing the electrical, ignition and fuel systems, it is extremely important that all components are properly installed and tightened. If not, any electrical or ignition component opening would permit sparks to ignite fuel vapors from fuel system leaks, if they existed.

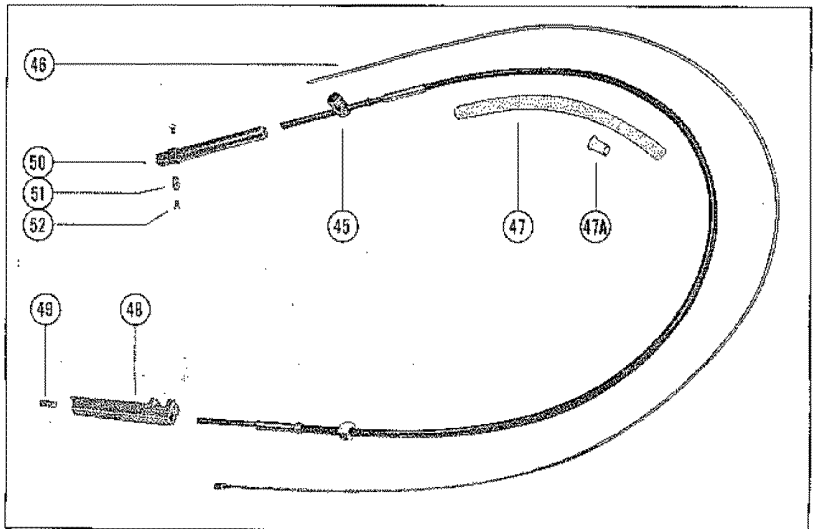
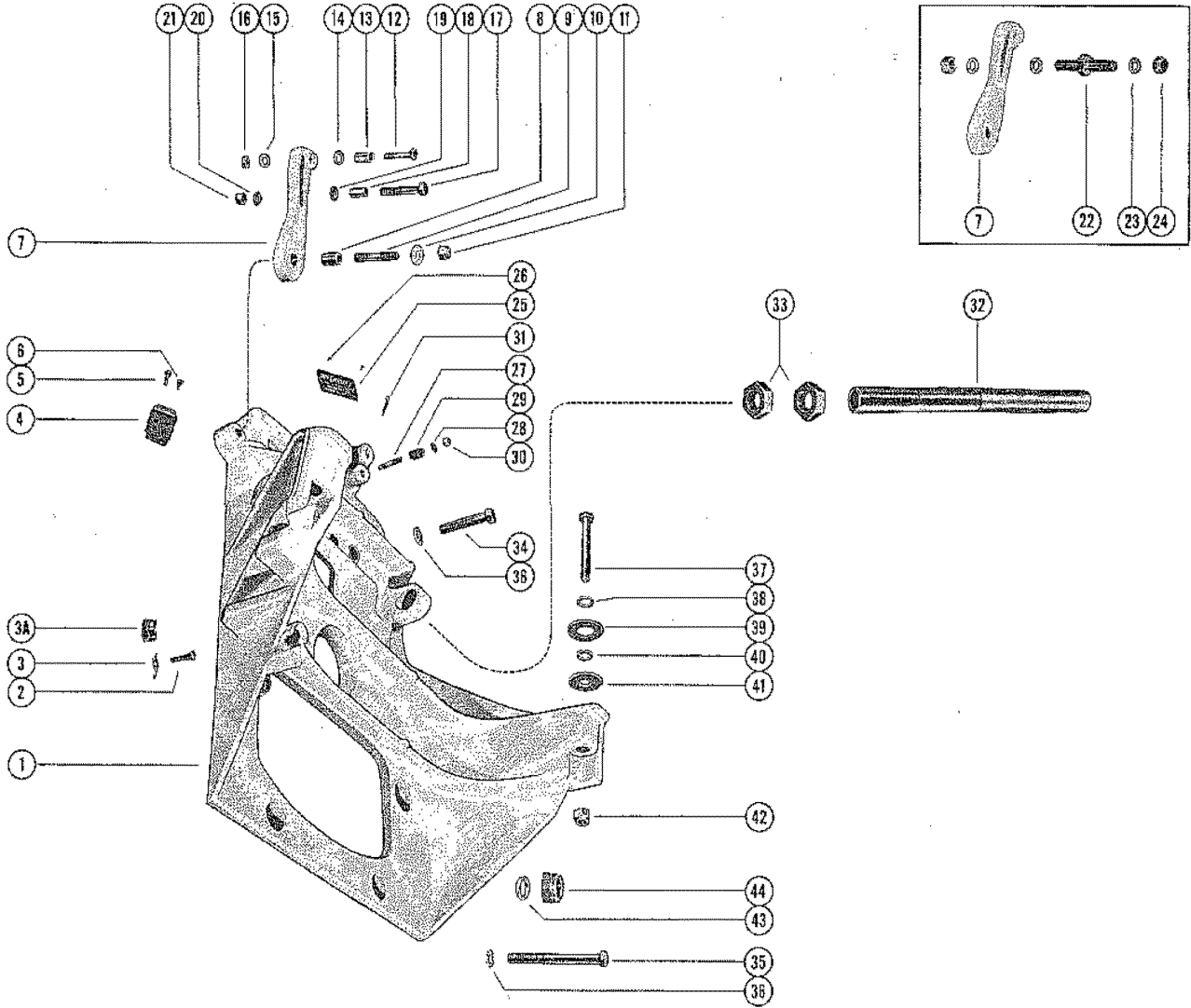
ENGINE MECHANICAL COMPONENTS

Many of the engine mechanical components are designed for marine applications. Unlike automotive engines, marine engines are subjected to extended periods of heavy load and wide- open-throttle operation, therefore, require heavy-duty components. Special marine engine parts have design and manufacturing specifications, which are required to provide long life and dependable performance. Marine engine parts also must be able to resist the corrosive action of salt or brackish water that will rust or corrode standard automotive parts within a short period of time.

Failure to use recommended Mercury Precision Parts OR Quicksilver service replacement parts can result in poor engine performance and/or durability, rapid corrosion of parts subjected to salt water and possibly complete failure of the engine.

Use of parts other than recommended service replacement parts will void the warranty on those parts which are damaged as a result of the use of other than recommended parts.

TRANSOM PLATE AND SHIFT CABLE

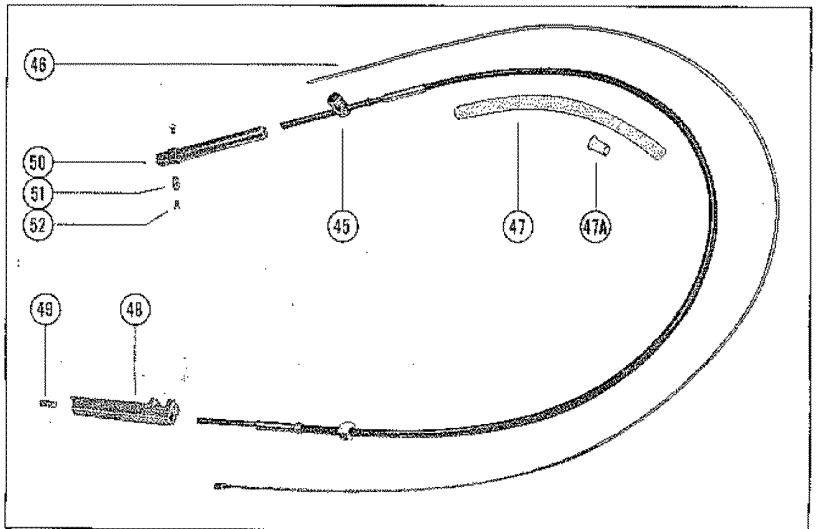
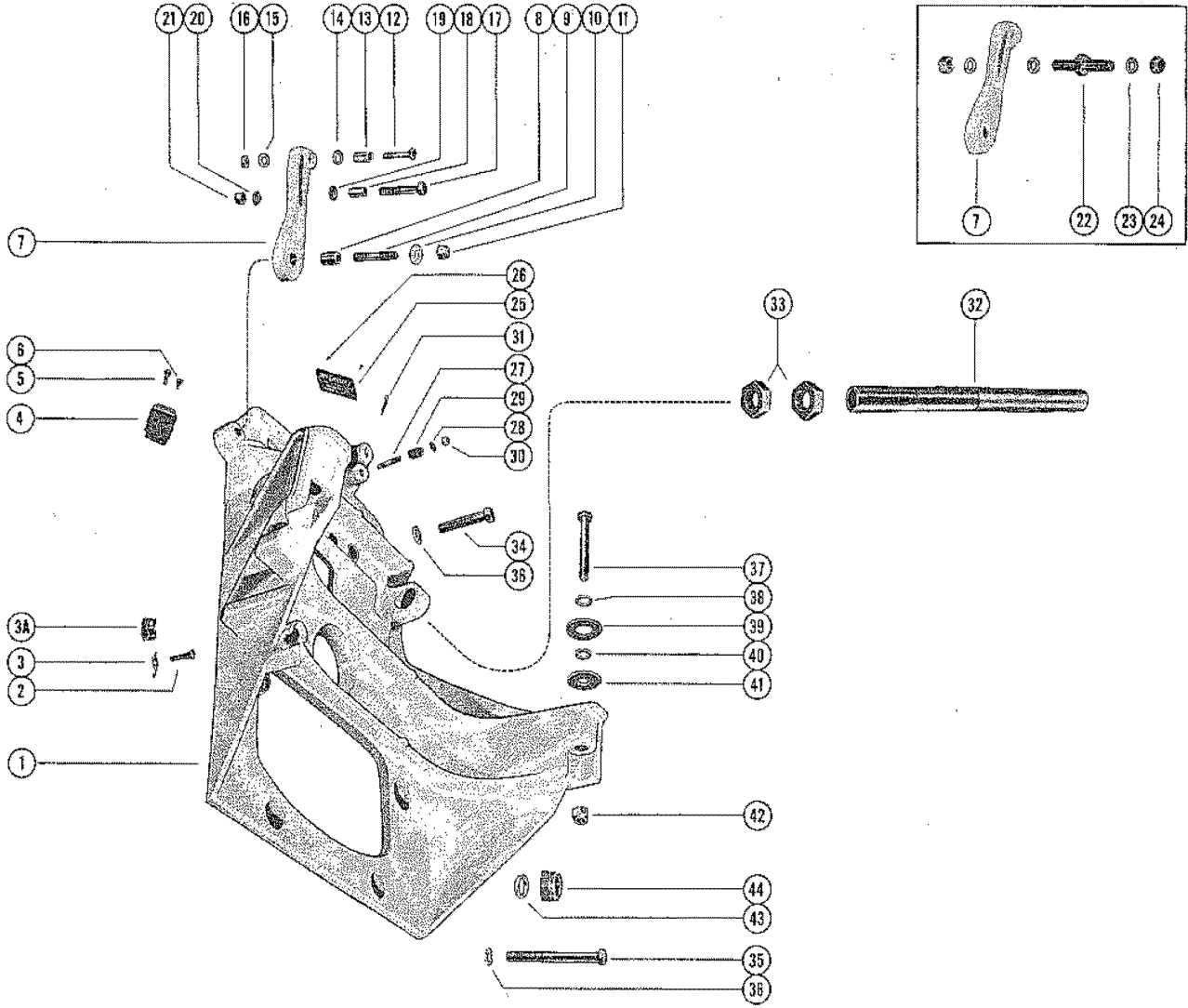


TRANSOM PLATE AND SHIFT CABLE

REF. NO.	PART NO.	SYM.	QTY.	DESCRIPTION
1	32498		1,1,1,1	PLATE, TRANSOM SERIAL 00000000-01641940
	35186		,,1	PLATE, TRANSOM SERIAL 00161941-01684187
2	10-32737		1,1,1,1	SCREW, SHIFT ACTUATING CABLE TO TRANSOM PLATE SERIAL 00000000-01537369
3	14-31828		1,1,1,1	TAB WASHER, SHIFT ACTUATING CABLE TO TRANSOM PLATE SERIAL 00000000-01537369
2	10-26668		,,1,1	SCREW, SHIFT ACTUATING CABLE CLAMP TO TRANSOM PLATE SERIAL 01562900-01684187
3A	54-34050		,,1,1	CLAMP, SHIFT ACTUATING CABLE TO TRANSOM PLATE SERIAL 01562900-01684187
4	32169		1,,	TERMINAL BLOCK, TRANSOM PLATE
	30212		,1,1,1	TERMINAL BLOCK, TRANSOM PLATE (NOT AS SHOWN)
5	10-33152		2,2,2,2	SCREW TERMINAL BLOCK TO TRANSOM PLATE
6	10-28739		4,,	SCREW, TILT STOP SWITCH LEADS TO TERMINAL BLOCK
	10-30663		,2,2,2	SCREW, TILT STOP SWITCH LEADS TO TERMINAL BLOCK
7	32585		1,1,1,1	LEVER, SHIFT CONTROL-TRANSOM PLATE
8	23-31758		1,1,1,1	SPACER, SHIFT CONTROL LEVER STUD
9	16-32698		1,1,1,1	STUD, SHIFT CONTROL LEVER TO TRANSOM PLATE
10	12-26825		2,2,2,2	WASHER, SHIFT CONTROL LEVER STUD
11	11-21528		1,1,1,1	NUT, SHIFT CONTROL LEVER TO TRANSOM PLATE STUD
12	10-22659		1,1,1,1	SCREW, SHIFT CABLE ASSEMBLY TO SHIFT CONTROL LEVER
13	23-31866		1,1,1,1	SPACER, SHIFT CABLE ASSEMBLY SCREW
14	12-31760		1,1,,	WASHER, SHIFT CABLE ASSEMBLY SCREW
	12-31760		,,2,2	WASHER, SHIFT CABLE ASSEMBLY SCREW
15	12-29245		1,1,,	WASHER, SHIFT CABLE ASSEMBLY SCREW
16	611-20361		1,1,1,1	NUT, SHIFT CABLE ASSEMBLY TO SHIFT CONTROL LEVER SCREW
17	10-22659		1,1,1,1	SCREW, SHIFT ACTUATING CABLE TO SHIFT CONTROL LEVER SERIAL 00000000-01537369
18	23-31866		1,1,1,1	SPACER, SHIFT ACTUATING CABLE SCREW SERIAL 00000000-01537369
19	12-31760		1,1,,	WASHER, SHIFT ACTUATING CABLE SCREW SERIAL 00000000-01537369
	12-31760		,,2,	WASHER, SHIFT ACTUATING CABLE SCREW SERIAL 00000000-01537369
20	12-29245		1,1,,	WASHER, SHIFT ACTUATING CABLE SCREW SERIAL 00000000-01537369
21	11-20361		1,1,1,1	NUT, SHIFT ACTUATING CABLE TO SHIFT CONTROL LEVER SCREW SERIAL 00000000-01537369
22	16-34069		,,1,1	STUD, SHIFT ACTUATING CABLE TO SHIFT CONTROL LEVER SERIAL 01562900-01684187
23	12-31760		,,3,3	WASHER, SHIFT ACTUATING CABLE STUD SERIAL 01562900-01684187
24	11-20361		,,2,2	NUT, SHIFT ACTUATING CABLE TO SHIFT CONTROL LEVER SERIAL 01562900-01684187
25	38-32738		1,1,1,1	NAME PLATE, TRANSOM PLATE

CONTINUED ON NEXT PAGE ➡

TRANSOM PLATE AND SHIFT CABLE

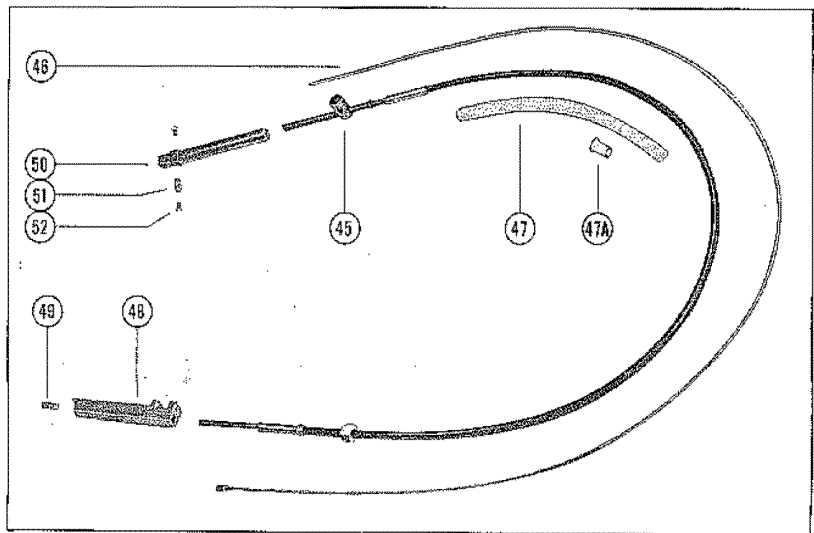
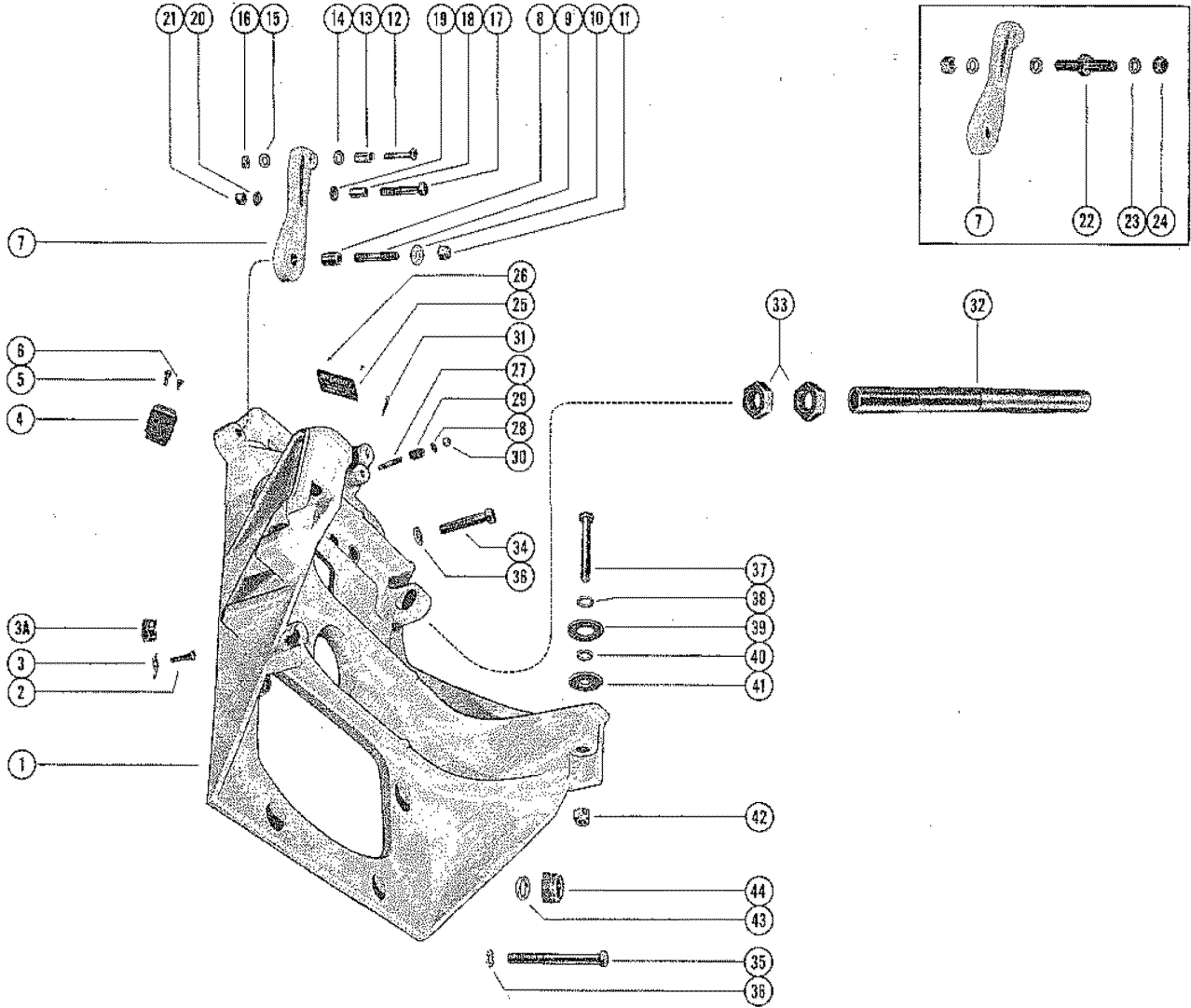


TRANSOM PLATE AND SHIFT CABLE

REF. NO.	PART NO.	SYM.	QTY.	DESCRIPTION
26	10-22290		2,2,2,2	SCREW, DRIVE- NAME PLATE TO TRANSOM PLATE
27	16-20075		1,1,1,1	STUD, SHIFT ACTUATING CABLE END GUIDE TO TRANSOM PLATE SERIAL 00000000-01537369
	16-20353		„1,1	STUD, SHIFT ACTUATING CABLE END GUIDE TO TRANSOM PLATE SERIAL 01562900-01641940
28	12-29245		1,1,1,1	WASHER, SHIFT ACTUATING CABLE END GUIDE STUD SERIAL 00000000-01537369
	12-31760		„2,2	WASHER, SHIFT ACTUATING CABLE END GUIDE STUD SERIAL 01562900-01641940
29	23-31866		„1,1	SPACER, SHIFT ACTUATING CABLE END GUIDE STUD SERIAL 01562900-01641940
30	11-20361		1,1,1,1	NUT, SHIFT ACTUATING CABLE END GUIDE STUD SERIAL 00000000-01641940
31	18-32857		„„1	COTTER PIN, SHIFT ACTUATING CABLE TO TRANSOM SERIAL 01641941-01684187
32	32-35015		1,1,1,1	TUBE, STEERING CABLE GUIDE (7/8'OD)
33	11-35222		2,2,2,2	NUT, JAM - STEERING CABLE GUIDE TUBE
34	10-32695		2,2,2,2	SCREW, TRANSOM PLATE TO GIMBAL HOUSING (2 1/4")
35	10-32529		4,4,4,4	SCREW, TRANSOM PLATE TO GIMBAL HOUSING (4 3/16")
36	12-22248		6,6,6,6	WASHER, TRANSOM PLATE TO GIMBAL HOUSING SCREW
37	10-32636		2,2,2,2	SCREW, TRANSOM PLATE TO ENGINE FLYWHEEL HOUSING
38	12-30119		2,2,2,2	WASHER, TRANSOM PLATE SCREW
39	12-32638		2,2,„	WASHER, TRANSOM PLATE SCREW SERIAL 00000000-01536496
	12-32834		„2,2,2	WASHER, TRANSOM PLATE SCREW SERIAL 01536497-01684187
40	13-33734		2,2,2,2	LOCKWASHER, TRANSOM PLATE SCREW
41	12-32757		2,2,„	WASHER, TRANSOM PLATE SCREW SERIAL 00000000-01536286
42	11-20220		2,2,2,2	NUT, TRANSOM PLATE TO ENGINE FLYWHEEL SCREW
43	12-22248		2,2,2,2	WASHER, GIMBAL HOUSING TO TRANSOM PLATE BOLT SERIAL 00000000-01641940
44	11-22178		2,2,2,2	NUT, GIMBAL HOUSING TO TRANSOM PLATE BOLT SERIAL 00000000-01641940
43	12-21900		„„2	WASHER, GIMBAL HOUSING TO TRANSOM PLATE BOLT SERIAL 01641941-01684187
44	11-34087		„„2	NUT, GIMBAL HOUSING TO TRANSOM PLATE BOLT SERIAL 01641941-01684187
45	34048A1		1,1,1,1	CABLE ASSEMBLY, SHIFT ACTUATING NOTE) B-32642 CABLE IS NO LONGER AVAILABLE. FOR REPLACEMENT, ORDER B-34048A1 CORE WIRE, USED WITH B-32642 CABLE , IS STILL AVAILABLE AND MAY BE ORDERED AS REPLACEMENT. SERIAL 00000000-01641940
	35187A1		„„1	CABLE ASSEMBLY, SHIFT ACTUATING SERIAL 01562900-01684187
46	34086A1		1,1,1,1	CORE WIRE AND ANCHOR ASSEMBLY, INNER SHIFT ACTUATING CABLE
47	32-32605		1,1,1,1	TUBE, NYLON - SHIFT ACTUATING CABLE GUIDE SERIAL 00000000-01537369

CONTINUED ON NEXT PAGE ➡

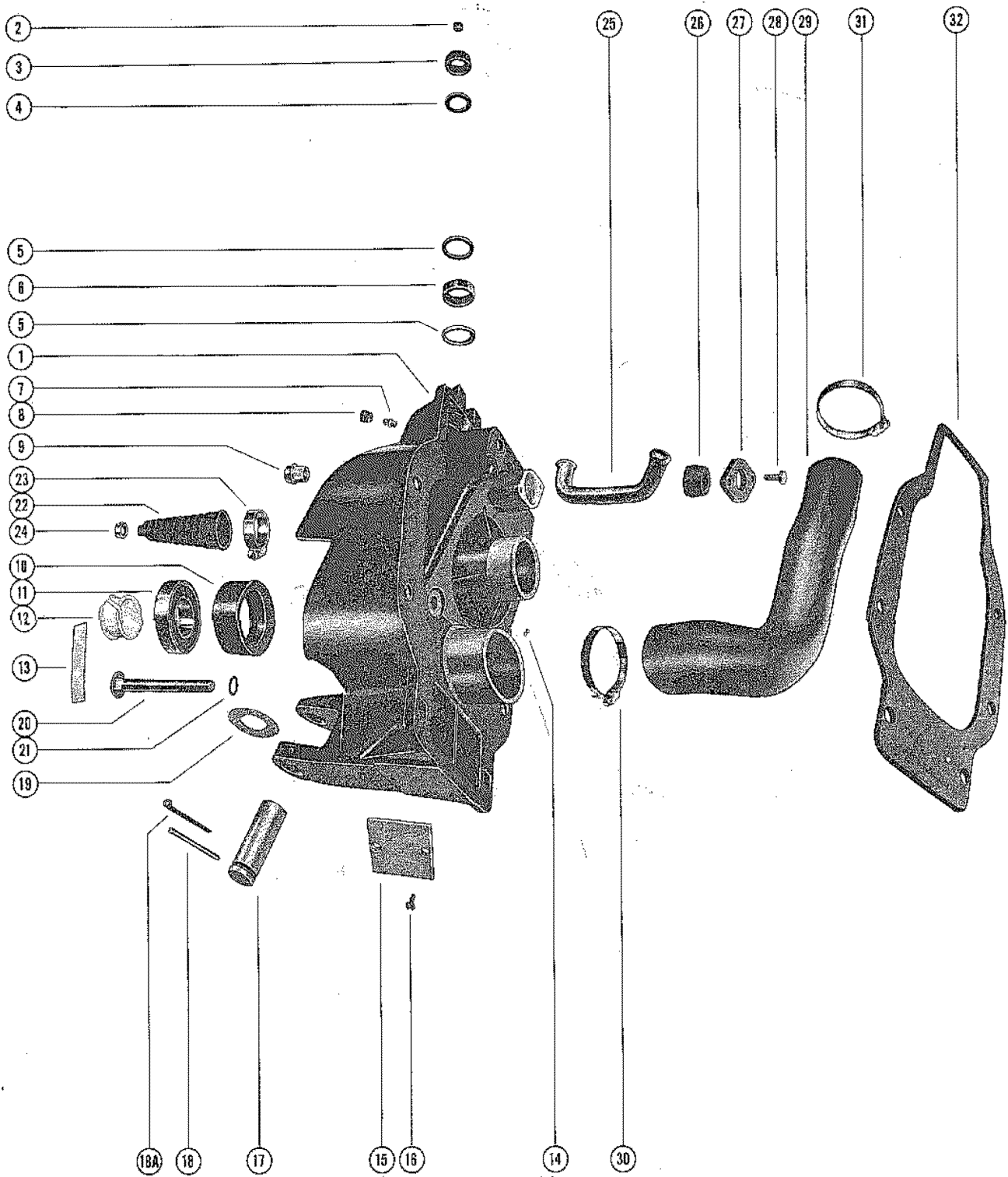
TRANSOM PLATE AND SHIFT CABLE



TRANSOM PLATE AND SHIFT CABLE

REF. NO.	PART NO.	SYM.	QTY.	DESCRIPTION
47	23-34049		,,1,1	TUBE, NYLON - SHIFT ACTUATING CABLE GUIDE SERIAL 01562900-01684187
48	32487		1,1,1,	SHIFT ACTUATING CABLE SERIAL 00000000-01536976
	33981		,,1,1	SLIDE, SHIFT ACTUATING CABLE SERIAL 01536977-01684187
49	10-31700		1,1,1,1	SCREW, SET - SHIFT ACTUATING CABLE TO SLIDE
50	29880		1,1,1,1	GUIDE, SHIFT ACTUATING CABLE END
51	20007		1,1,1,1	ANCHOR, SHIFT ACTUATING CABLE END GUIDE
52	10-20518		2,2,2,2	SCREW, SET - ANCHOR TO SHIFT ACTUATING CABLE END GUIDE
-	91-32555		1,1,1,1	ROD, ALIGNMENT - TRANSOM PLATE TO ENGINE

GIMBAL HOUSING ASSEMBLY AND EXHAUST HOSE

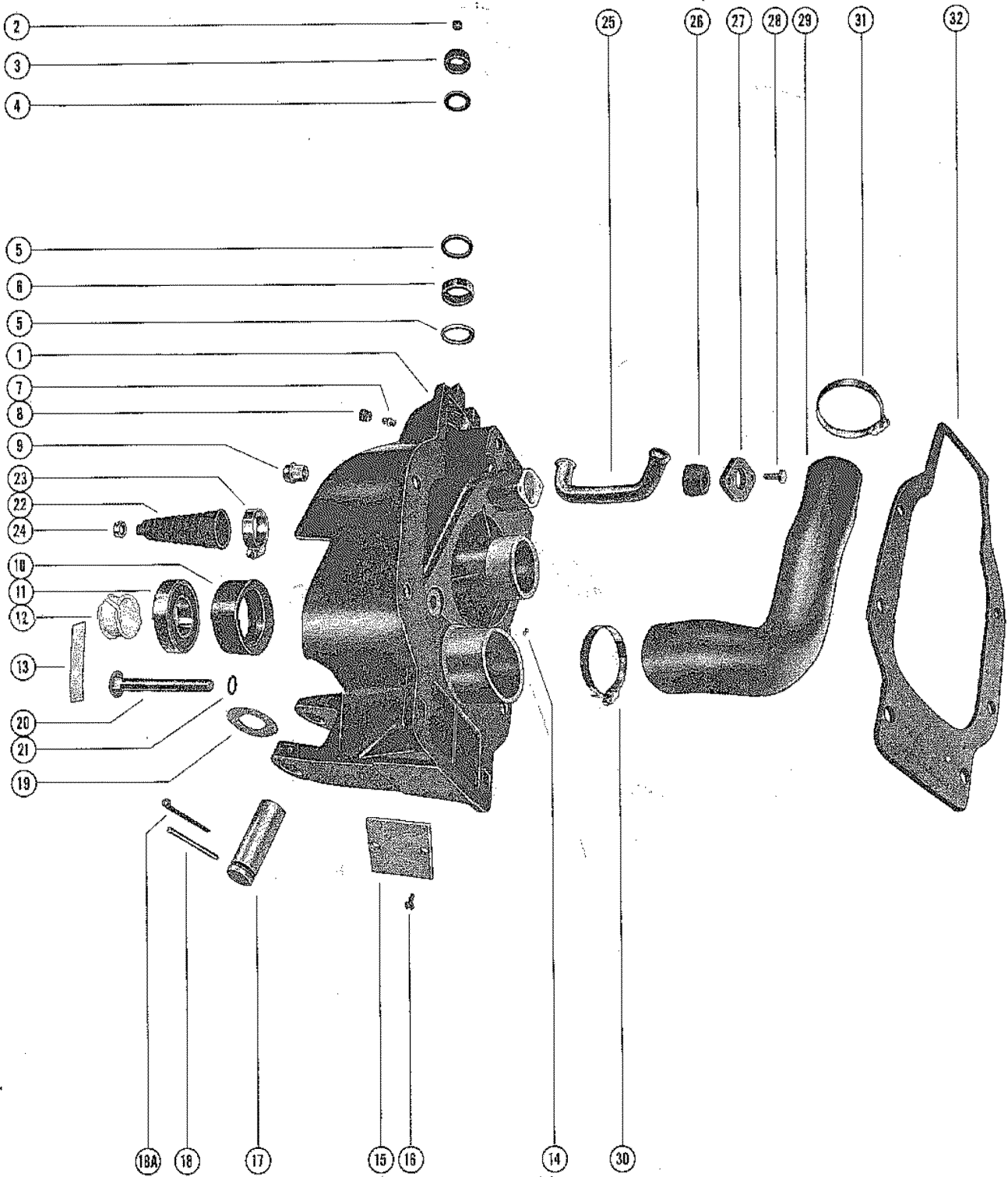


GIMBAL HOUSING ASSEMBLY AND EXHAUST HOSE

REF. NO.	PART NO.	SYM.	QTY.	DESCRIPTION
1	32504A1		1,1,1,1	GIMBAL HOUSING ASSEMBLY SERIAL 00000000-01642279
	32504A6		,,,1	GIMBAL HOUSING ASSEMBLY SERIAL 01642280-01684187
2	22-21290		1,1,1,1	PLUG, PIPE - GIMBAL HOUSING
3	31-32535		1,1,1,1	BEARING, ROLLER - GIMBAL HOUSING (UPPER)
4	26-32540		1,1,1,1	OIL SEAL, UPPER GIMBAL HOUSING ROLLER BEARING
5	26-32911		2,2,2,2	OIL SEAL, LOWER GIMBAL HOUSING ROLLER BEARING
6	31-32536		1,1,1,1	BEARING, ROLLER - GIMBAL HOUSING (LOWER)
7	22-31345		1,1,1,1	FITTING, GREASE - GIMBAL HOUSING
8	29359		1,1,1,1	LUBRICAP, GIMBAL HOUSING GREASE FITTING
9	11-32522		6,6,6,6	NUT, SPILINED - TRANSOM PLATE TO GIMBAL HOUSING SCREW
10	31578		1,1,1,1	MOUNT, RUBBER - GIMBAL HOUSING BALL BEARING
11	30-32537		1,1,1,1	BEARING, BALL - GIMBAL HOUSING RUBBER MOUNT
12	23-32677		1,1,1,1	BUSHING, NYLON - GIMBAL HOUSING BALL BEARING
13	15-33195010	AR,AR,AR,A	AR,AR,AR,A	SHIM, GIMBAL HOUSING BALL BEARING (.0010)
	15-33195015	AR,AR,AR,A	AR,AR,AR,A	SHIM, GIMBAL HOUSING BALL BEARING (.0015)
	15-33195020	AR,AR,AR,A	AR,AR,AR,A	SHIM, GIMBAL HOUSING BALL BEARING (.0020)
14	10-25612		10,10,10,1	SCREW, DRIVE - GIMBAL HOUSING EXHAUST FLANGE
15	34762A1		1,1,1,1	PLATE ASSEMBLY, INHIBITOR - GIMBAL HOUSING
16	10-34763		2,2,2,2	SCREW, INHIBITOR PLATE TO GIMBAL HOUSING
17	17-32508		1,1,1,1	PIN, SWIVEL - GIMBAL HOUSING TO GIMBAL RING (LOWER)
18	17-31769		1,1,1,1	PIN, RETAINING - LOWER SWIVEL PIN
18A	18-34159		,,,1	COTTER PIN, RETAINING - LOWER SWIVEL PIN
19	12-32518		1,1,1,1	WASHER, GIMBAL HOUSING TO GIMBAL RING LOWER SWIVEL PIN
20	10-32528		2,2,2,2	BOLT, HOUSING TO PLATE (3 3/4") (SERIAL 00000000-01536914)
	10-33823		,,2,2	BOLT, HOUSING TO PLATE (4") SERIAL 01536915-01641940
	10-34013		,,,2	BOLT, HOUSING TO PLATE (3 3/4") SERIAL 01641941-01642279
	10-35624		,,,2	BOLT, HOUSING TO PLATE (4") 2 SERIAL 01642280-01684187
21	25-32509		2,2,2,2	"O" RING, GIMBAL HOUSING BOLT SERIAL 00000000-01641940
	12-32620		,,,2	WASHER, GIMBAL HOUSING BOLT 2 SERIAL 01641941-01684187
22	31659		1,1,1,1	BELLOWS, SHIFT ACTUATING CABLE COVERING
23	54-31766		1,1,1,1	CLAMP, CHIFT ACTUATING CABLE BELLOWS TO GIMBAL HOUSING
24	54-20386		1,1,1,1	CLAMP, ACTUAING CABLE BELLOWS TO SHIFT ACTUATING CABLE
25	32-32631		1,1,1,1	TUBE, WATER - GIMBAL HOUSING
26	23-28055		1,1,1,1	BUSHING, RUBBER - WATER TUBE SEALING
27	32517		1,1,1,1	COVER, WATER TUBE SEALING DBUSHING - GIMBAL HOUSING
28	10-28635		2,2,2,2	SCREW, WATER TUBE SEALING COVER TO GIMBAL HOUSING

CONTINUED ON NEXT PAGE ➡

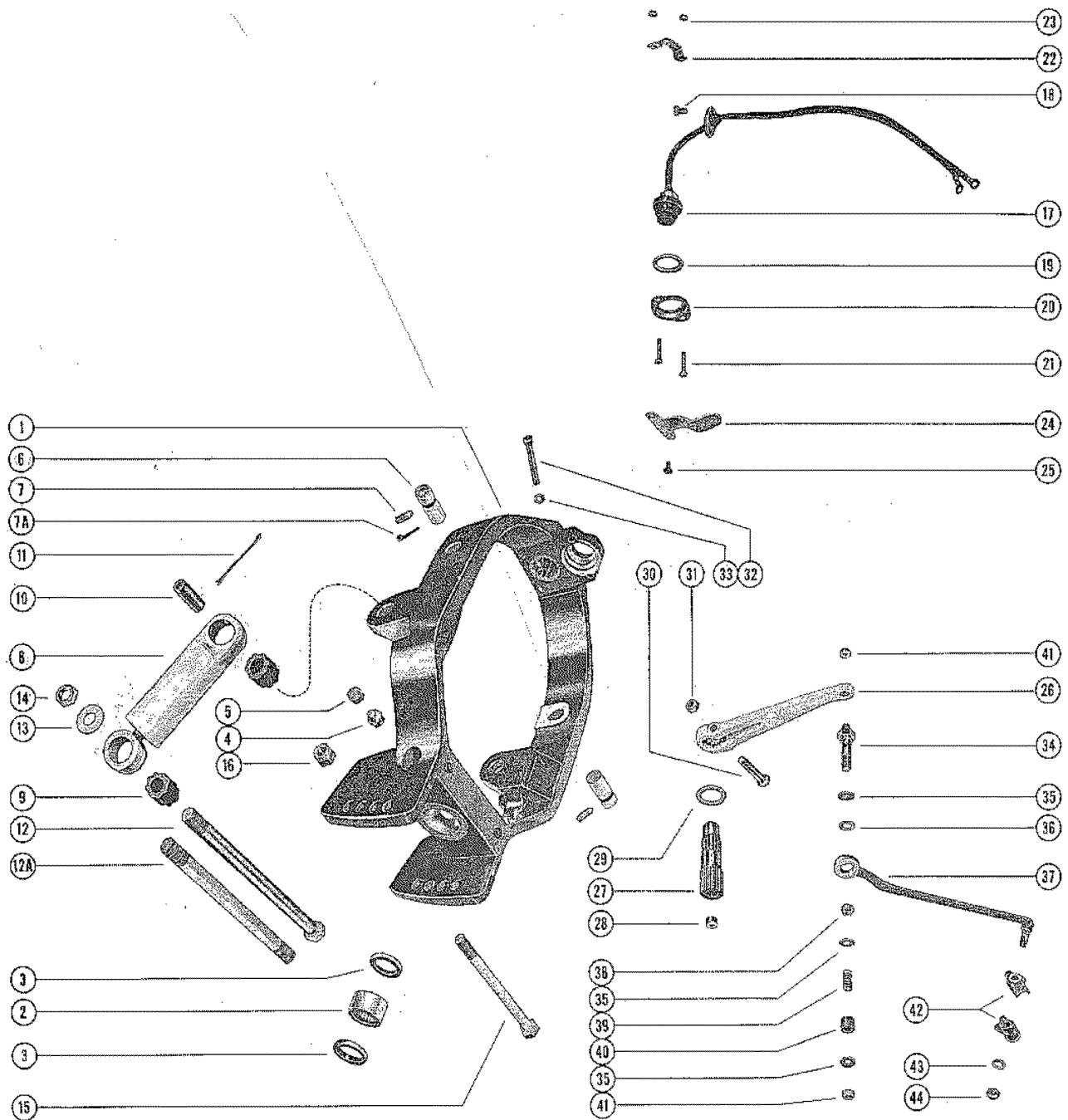
GIMBAL HOUSING ASSEMBLY AND EXHAUST HOSE



GIMBAL HOUSING ASSEMBLY AND EXHAUST HOSE

REF. NO.	PART NO.	SYM.	QTY.	DESCRIPTION
29	32-32787		1,1,1,1	HOSE, EXHAUST - GIMBAL HOUSING
30	54-32739		2,2,2,2	CLAMP, EXHAUST HOSE TO GIMBAL HOUSING
31	54-32739		2,2,2,2	CLAMP, EXHAUST HOSE TO ENGINE
32	27-32658		1,1,1,1	HASKET, GIMBAL HOUSING TO TRANSOM
-	92-33749		1,1,1,1	SEALER, EXHAUST HOSE TO GIMBAL HOUSING

GIMBAL RING ASSEMBLY AND STEERING LEVER

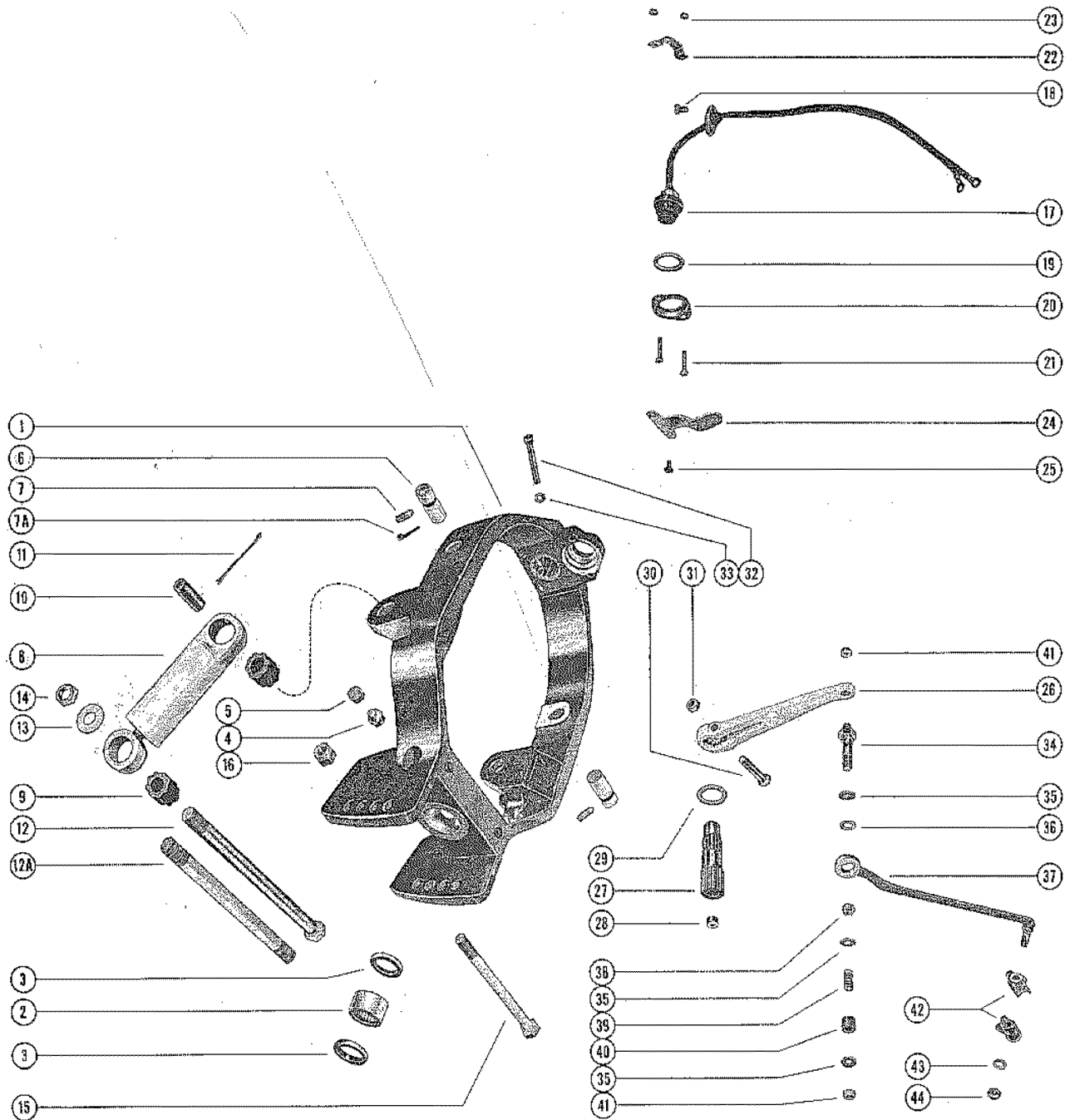


GIMBAL RING ASSEMBLY AND STEERING LEVER

REF. NO.	PART NO.	SYM.	QTY.	DESCRIPTION
1	32505A2		1,1,1,1	GIMBAL RING ASSEMBLY SERIAL 00000000-01607918
	34285A2		,,,1	GIMBAL RING ASSEMBLY SERIAL 01607919-01684187
2	31-32538		1,1,1,1	BEARING, ROLLER - GIMBAL RING
3	26-32541		2,2,2,2	OIL SEAL, GIMBAL RING
4	22-23612		1,1,1,1	FITTING, GREASE - GIMBAL RING
5	29359		1,1,1,1	LUBRICAP, GIMBAL RING GREASE FITTING
6	17-32566		2,2,2,2	PIN, HINGE - GIMBAL RING BELL HOUSING SERIAL 00000000-01607918
	17-34286		,,,2	PIN, HINGE - GIMBAL RING TO BELL HOUSING SERIAL 01607919-01684187
7	10-32571		2,2,2,	SCREW, HINGE PIN RETAINING - GIMBAL RING SERIAL 00000000-01537143
	10-33805		,,2,2	SCREW, HINGE PIN RETAINING - GIMBAL RING SERIAL 01537144-01607918
7A	18-35017		,,,2	COTTER PIN, HINGE PIN RETAINING - GIMBAL RING SERIAL 01607919-01684187
8	55-32643		2,2,2,2	SHOCK ABSORBER
9	23-32848		4,4,4,4	BUSHING, RUBBER - SHOCK ABSORBER
10	55-32607		2,2,2,2	PIN, SHOCK ABSORBER RO GIMBAL RING
11	18-32521		2,2,2,2	COTTER PIN, SHOCK ABSORBER PIN RETAINING - GIMBAL RING
12	10-32514		1,1,1,1	BOLT, SHOCK ABSORBER TO DRIVE SHAFT HOUSING SERIAL 00000000-01563601
12A	16-33943		,,,1	STUD, SHOCK ABSORBER TO DRIVE SHAFT HOUSING SERIAL 01563602-01684187
13	12-28025		2,2,2,2	WASHER, SHOCK ABSORBER TO DRIVE SHAFT HOUSING BOLT OR STUD
14	11-22339		1,1,1,1	NUT, SOCK ABSORBER TO DRIVE SHAFT HOUSING BOLT OR STUD NOTE) WHEN USING B-16-33943 STUD , THE QUANTITY OF C-11-22339 NUT MUST BE INCREASED FROM 1 TO 2.
15	10-32640		1,1,1,	BOLT, TILT ADJUSTMENT - GIMBAL RING SERIAL 00000000-01537143
16	11-23161		1,1,1,	NUT, TILT ADJUSTMENT BOLT SERIAL 00000000-01537143
15	10-33809		,,1,1	BOLT, TILT ADJUSTMENT - GIMBAL RING SERIAL 01537144-01684187
16	11-21528		,,1,1	NUT, TILT ADJUSTMENT BOLT SERIAL 01537144-01684187
17	32688A1		1,1,1,1	TILT STOP SWITCH ASSEMBLY, GIMBAL RING
18	10-20367		2,2,2,2	SCREW, TILT STOP SWITCH COVER TO GIMBAL RING
19	23-31902		1,1,1,1	SPACER, TILT STOP SWITCH TO RETAINING PLATE
20	31899		1,1,1,1	PLATE, RETAINING - TILT STOP SWITCH TO GIMBAL RING
21	10-22387		2,2,2,2	SCREW, TILT STOP SWITCH RETAINING OPLATE AND STRAP TO GIMBAL
22	32637		1,1,1,1	STRAP, TILT STOP SWITCH RETAINING
23	11-20110		2,2,2,2	NUT, TILT STOP SWITCH RETAINING AND STRAP SCREW
24	31897		1,1,1,1	LEVER, TILT STOP SWITCH ACTUATING - GIMBAL RING
25	10-31903		2,2,2,2	SCREW, TILT STOP SWITCH ACTUATING LEVER TO GIMBAL RING

CONTINUED ON NEXT PAGE ➡

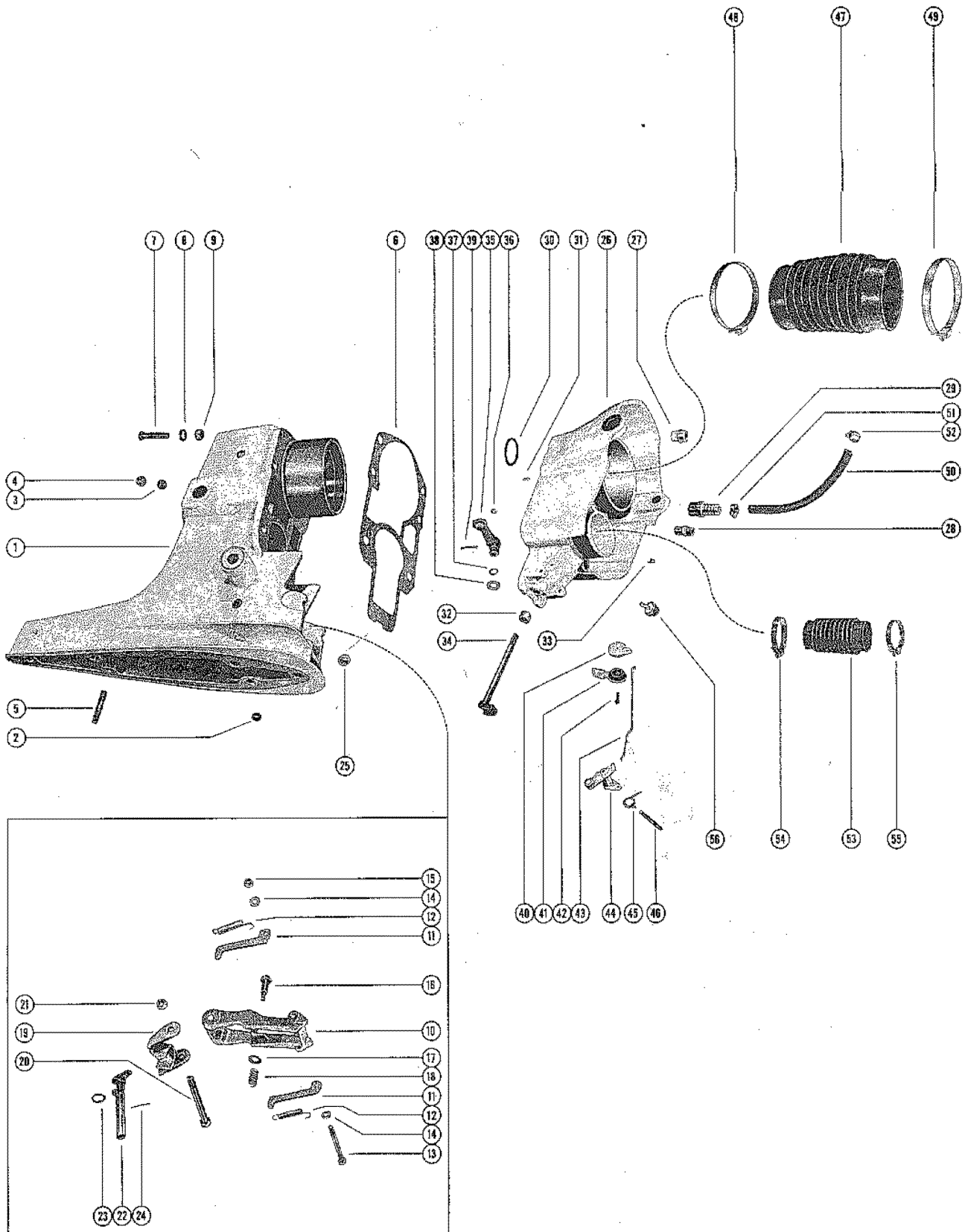
GIMBAL RING ASSEMBLY AND STEERING LEVER



GIMBAL RING ASSEMBLY AND STEERING LEVER

REF. NO.	PART NO.	SYM.	QTY.	DESCRIPTION
26	32630		1,1,1,1	LEVER, STEERING - UPPER SWIVEL SHAFT
27	32582		1,1,1,1	SHAFT, UPPER SWIVEL - GIMBAL RING TO GIMBAL HOUSING
28	22-32561		1,1,1,1	PLUG, PIPE - UPPER SWIVEL SHAFT
29	12-32996	AR,AR,AR,A	AR,AR,AR,A	WASHE, UPPER SWIVEL SHAFT (.015)
	12-32997	AR,AR,AR,A	AR,AR,AR,A	WASHER, UPPER SWIVEL SHAFT (.063)
30	10-32995		1,1,1,1	SCREW, STEERING LEVER TO UPPER SWIVEL SHAFT
31	11-20696		1,1,1,1	NUT, STEERING LEVER PTO UPPER SWIVEL SHAFT SCREW
32	10-33022		1,1,1,1	SCREW, UPPER SWIVEL SHAFT RETAINING - GIMBAL RING
33	12-20546		1,1,1,1	WASHER, UPPER SWIVEL SHAFT RETAINING SCREW
-	29332A2		1,1,1,1	LINK ROD ASEMBLY
34	16-32568		1,1,1,1	STUD, PIVOT - STEERING LEVER
35	12-25909		3,3,3,3	WASHER, STEERING LEVER PIVOT STUD
36	12-29330		1,1,1,1	WASHER, NYLON - STEERING LEVER PIVOT STUD
37	29332		1,1,1,1	ROD, STEERING LINK - STEERING LEVER PIVOT STUD
38	29698		1,1,1,1	,BALL, STEEL - STEETING LEVER PIVOT STUD
39	24-20510		1,1,1,1	SPRING, STEERING LEVER PIVOT STUD
40	23-25915		1,1,1,1	BUSHING, STEERING LEVER PIVOT STUD
41	11-20509		2,2,2,2	NUTM STEERING LEVER PIVOT STUD
42	27872		2,2,2,2	COUPLER HALVES, STEERING LINK ROD - CABLE END
43	12-20086		1,1,1,1	WASHER, STEERING LINK ROD
44	11-20509		1,1,1,1	NUT, STEERING LINK ROD

DRIVE SHAFT HOUSING ASSEMBLY AND BELL HOUSING ASSEMBLY

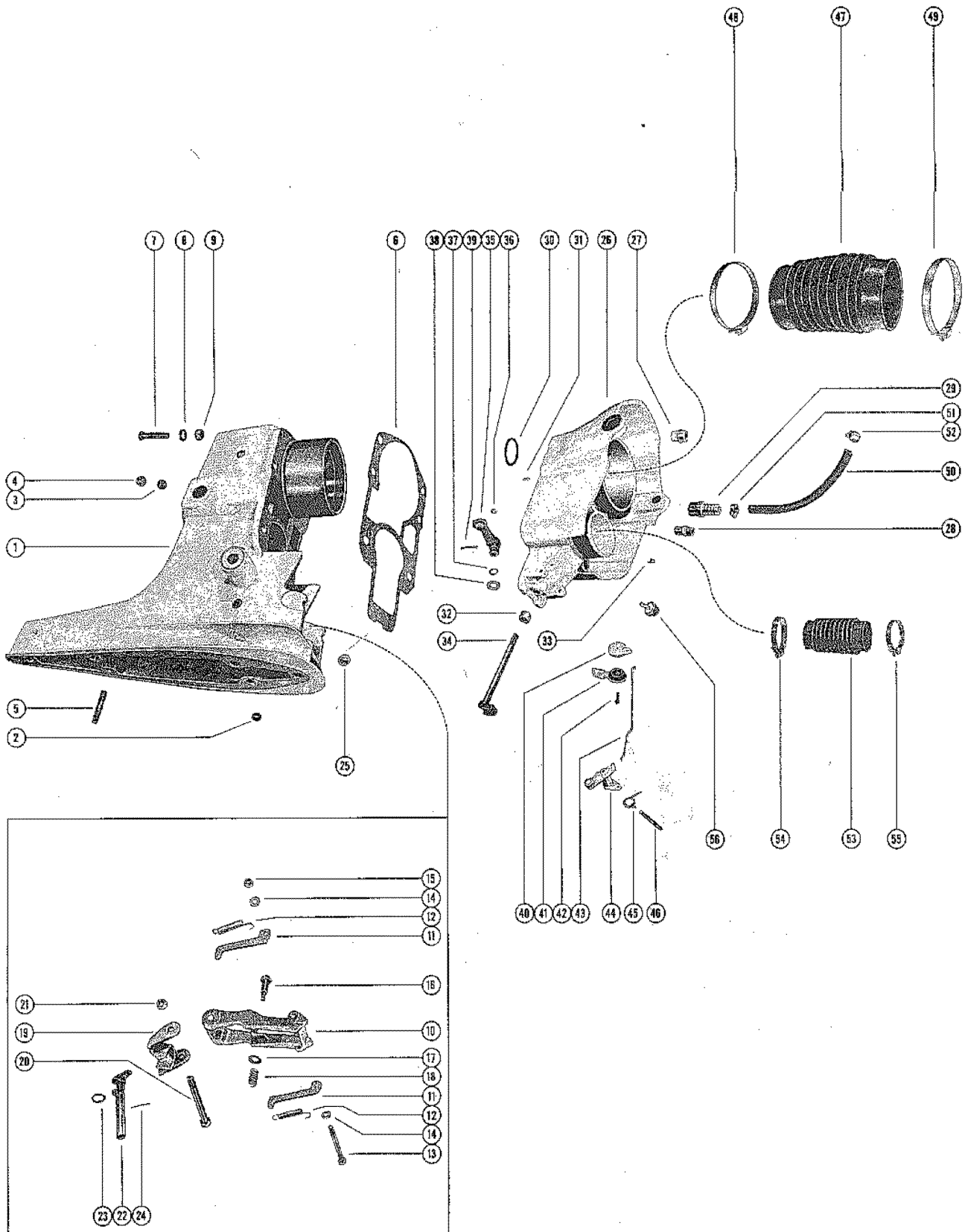


DRIVE SHAFT HOUSING ASSEMBLY AND BELL HOUSING ASSEMBLY

REF. NO.	PART NO.	SYM.	QTY.	DESCRIPTION
1	1547-2024A1		1,,,	DRIVE SHAFT HOUSING ASSEMBLY
	1547-2096A1		,1,,	DRIVE SHAFT HOUSING ASSEMBLY
	1547-2184A1		,,1,1	DRIVE SHAFT HOUSING ASSEMBLY
2	23-32632		1,1,1,1	BUSHING, DRIVE SHAFT HOUSING
3	22-31704		1,1,1,1	PLUG, PIPE - DRIVE SHAFT HOUSING (WATER POCKET)
4	19-32652		1,1,1,1	WELCH PLUG, DRIVE SHAFT HOUSING
5	16-30929		2,2,2,2	STUD, DRIVE SHAFT HOUSING TO GEAR HOUSING
6	27-32599		2,,,	GASKET, DRIVE SHAFT HOUSING TO BELL HOUSING
	27-33507		,1,,	GASKET, DRIVE SHAFT HOUSING TO BELL HOUSING
	27-33796		,,1,1	GASKET, DRIVE SHAFT HOUSING TO BELL HOUSING
7	10-32515		6,6,,	SCREW, DRIVE SHAFT HOUSING TO BELL HOUSING
	10-33811		,,6,6	SCREW, DRIVE SHAFT HOUSING TO BELL HOUSING NOTE) B-10-33811 SCREW (6) ARE INCLUDED WITH B-3379A1 BELL HOUSING ASSEMBLY.
8	12-32648		6,6,,	WASHER, DRIVE SHAFT HOUSING TO BELL HOUSING SCREW SERIAL 00000000-01536617
	12-34567		,,6,6	WASHER, DRIVE SHAFT HOUSING TO BELL HOUSING SCREW SERIAL 01536618-01684187
9	11-22178		,,6,6	NUT, DRIVE SHAFT HOUSING TO BELL HOUSING SCREW
10	32589		1,1,1,1	ARM, REVERSE HOOK - DRIVE SHAFT HOUSING
11	32520		2,2,2,2	HOOK, REVERSE
12	24-33080		2,2,2,	SPRING, TENSION - REVERSE HOOK TO REVERSE HOOK ARM SERIAL 00000000-01537069
	24-33761		,,2,2	SPRING, TENSION - REVERSE HOOK TO REVERSE HOOK ARM SERIAL 01537070-01684187
13	10-32527		1,1,1,1	SCREW, REVERSE HOOKS TO REVERSE HOOK ARM
14	12-29245		2,2,2,2	WASHER, REVERSE HOOKS TO REVERSE HOOK ARM SCREW
15	11-20586		1,1,1,	NUT, REVERSE HOOKS TO REVERSE HOOK ARM SCREW SERIAL 00000000-01537143
	11-33825		,,1,1	NUT, REVERSE HOOKS TO REVERSE HOOK ARM SCREW SERIAL 01537144-01684187
16	10-32694		1,1,1,1	SCREW, REVERSE HOOK ARM TO DRIVE HOUSING
17	12-24675		1,1,1,	WASHER, REVERSE HOOK ARM TO DRIVE SHAFT HOUSING SCREW SERIAL 00000000-01537143
	12-34016		,,1,1	WASHER, REVERSE HOOK ARM TO DRIVE SHAFT HOUSING SCREW SERIAL 01537144-01684187
18	24-32659		1,1,1,1	SPRING, TENSION-REVERSE HOOK ARM TO DRIVE SHAFT HOUSING SCREW
19	32588A1		1,1,1,1	STOP ASSEMBLY, REVERSE HOOK ARM
20	10-32524		1,1,1,1	SCREW, REVERSE HOOK ARM STOP TO REVERSE HOOK ARM
21	11-20509		1,1,1,	NUT, REVERSE HOOK ARM STOP TO REVERSE HOOK ARM SCREW SERIAL 00000000-01537143
	11-33826		,,1,1	NUT, REVERSE HOOK ARM STOP TO REVERSE HOOK ARM SCREW SERIAL 01537144-01684187
22	32628		1,1,1,1	SHAFT, SHIFT - INTERMEDIATE

CONTINUED ON NEXT PAGE ➡

DRIVE SHAFT HOUSING ASSEMBLY AND BELL HOUSING ASSEMBLY

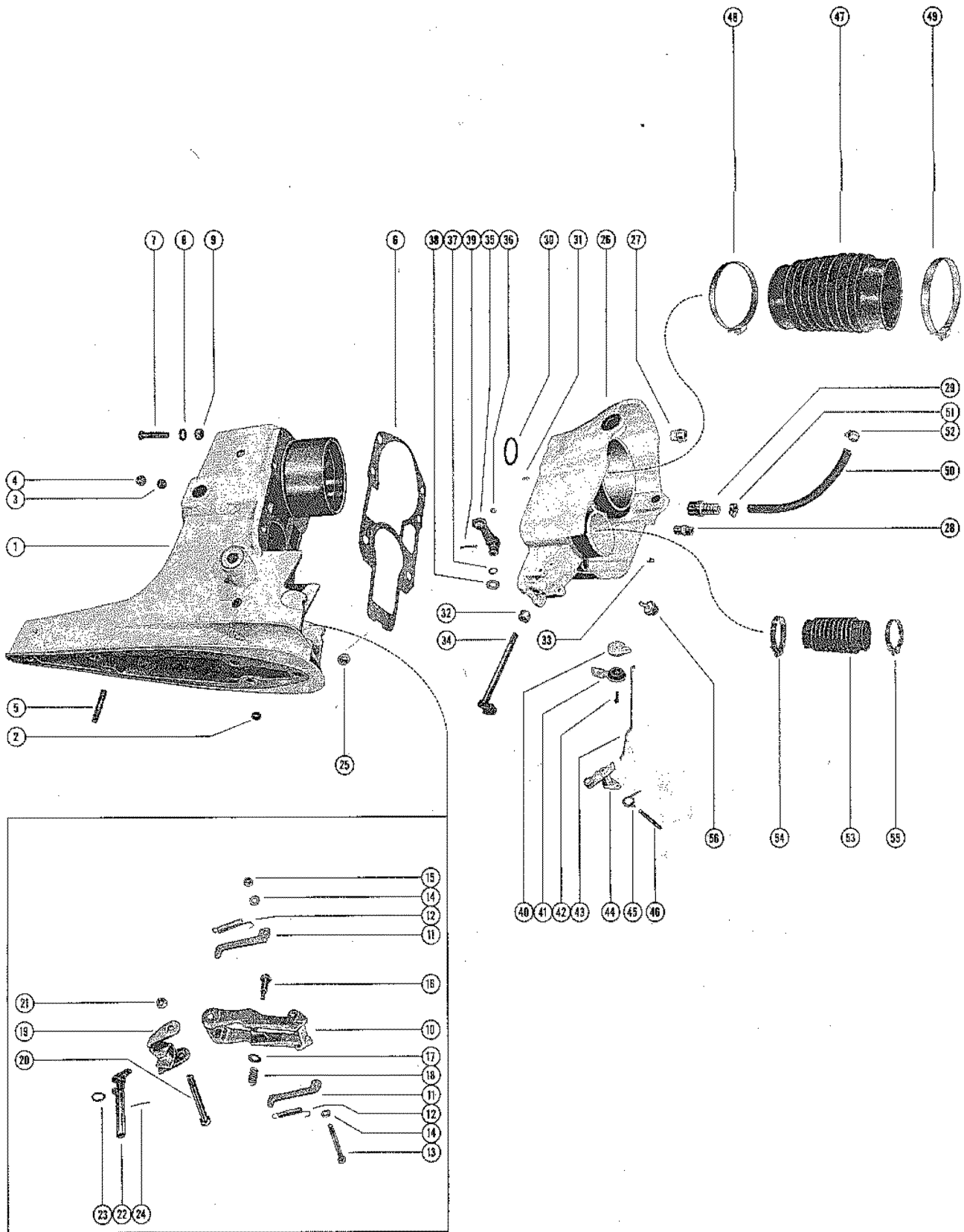


DRIVE SHAFT HOUSING ASSEMBLY AND BELL HOUSING ASSEMBLY

REF. NO.	PART NO.	SYM.	QTY.	DESCRIPTION
23	12-32666		1,1,1,1	WASHER, INTERMEDIATE SHIFT SHAFT
24	18-32665		1,1,1,1	COTTER PIN, INTERMEDIATE SHIFT SHAFT RETAINING
25	11-22178		3,3,3,3	NUT, GEAR HOUSING TO DRIVE SHAFT HOUSING STUD
26	32499A1		1,,,	BELL HOUSING ASSEMBLY
	33506A1		,1,,	BELL HOUSING ASSEMBLY
	33795A1		,,1,1	BELL HOUSING ASSEMBLY
27	11-32522		6,6,,	NUT, SPLINED - DRIVE SHAFT HOUSING TO BELL HOUSING SCREW
28	22-32125		1,1,1,1	CONNECTOR, SHIFT ACTUATING CABLE - BELL HOUSING
29	22-33066		1,1,1,1	CONNECTOR, WATER HOSE TO BELL HOUSING
30	25-33504		,1,1,1	"O" RING, BELL HOUSING
-	27-32599		2,,,	GASKET, DRIVE SHAFT HOUSING TO BELL HOUSING SEE REFERENCE #6
-	27-33507		,1,,	GASKET, DRIVE SHAFT HOUSING TO BELL HOUSING SEE REFERENCE #6
-	27-33796		,,1,1	GASKET, DRIVE SHAFT HOUSING TO BELL HOUSING SEE REFERENCE #6
31	17-35166		,,1,1	,PIN, DOWEL - BELL HOUSING TO DRIVE SHAFT HOUSING
32	23-32567		1,1,,	BUSHING, UPPER SHIFT SHAFT - BELL HOUSING
	23-35088		,,1,1	BUSHING, UPPER SHIFT SHAFT - BELL HOUSING
33	10-25612		,4,4,4	SCREW, DRIVE - BELL HOUSING FLANGE
34	32580A1		1,1,1,1	SHAFT ASSEMBLY, SHIFT - UPPER
35	32486A1		1,1,1,1	LEVER ASSEMBLY, UPPER SHIFT SHAFT SERIAL 00000000-01536976
	33980A1		,,1,1	LEVER ASSEMBLY, UPPER SHIFT SHAFT SERIAL 01536977-01684187
36	19-32525		1,1,1,1	WELCH PLUG, UPPER SHIFT SHAFT LEVER
37	25-32509		1,1,1,1	"O" RING, UPPER SHIFT SHAFT LEVER SEALING
38	12-32510		1,1,1,1	WASHER, UPPER SHIFT SHAFT LEVER
39	18-32857		1,1,1,1	COTTER PIN, UPPER SHIFT SHAFT TO UPPER SHIFT SHAFT LEVER
40	32625		1,1,1,1	CRANK, BELL - REVERSE HOOK RELEASE LINK ROD
41	32626		1,1,1,1	HANDLE, REVERSE HOOK RELEASE - BELL HOUSING
42	10-32651		1,1,1,1	SCREW, BELL CRANK AND HANDLE TO BELL HOUSING
43	32745		1,1,1,1	LINK ROD REVERSE HOOK RELEASE HANDLE TO REVERSE HOOK RELEASE
44	32629A1		1,1,1,1	LEVER ASSEMBLY, REVERSE HOOK RELEASE - BELL HOUSING
45	24-32660		1,1,1,1	SPRING, TORSION - REVERSE HOOK RELEASE LEVER
46	17-20302		1,1,1,1	PIN, PIVOT - REVERSE HOOK RELEASE LEVER TO BELL HOUSING
47	32602		1,1,1,1	BELLOWS, UNIVERSAL JOINT COVERING
48	54-31765		1,1,1,1	CLAMP, UNIVERSAL JOINT BELLOWS TO BELL HOUSING 1
49	54-31765		1,1,1,1	CLAMP, UNIVERSAL JOINT BELLOWS TO GIMBAL HOUSING
50	32-32461		1,1,1,1	HOSE, WATER - BELL HOUSING TO GIMBAL HOUSING
51	54-32523		1,1,1,1	CLAMP, WATER HOSE TO BELL HOUSING CONNECTOR

CONTINUED ON NEXT PAGE ➡

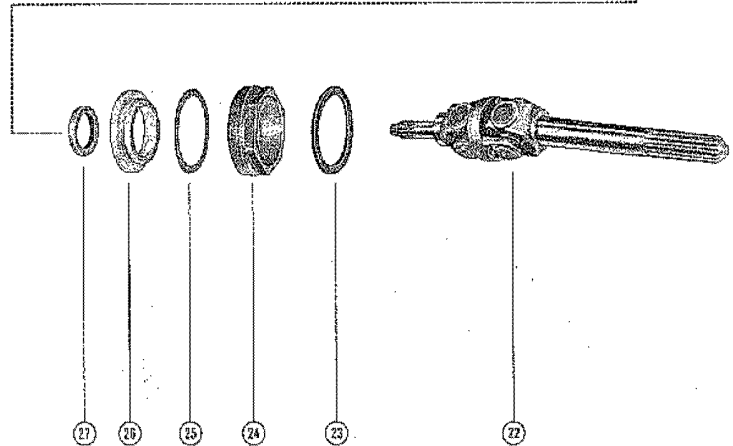
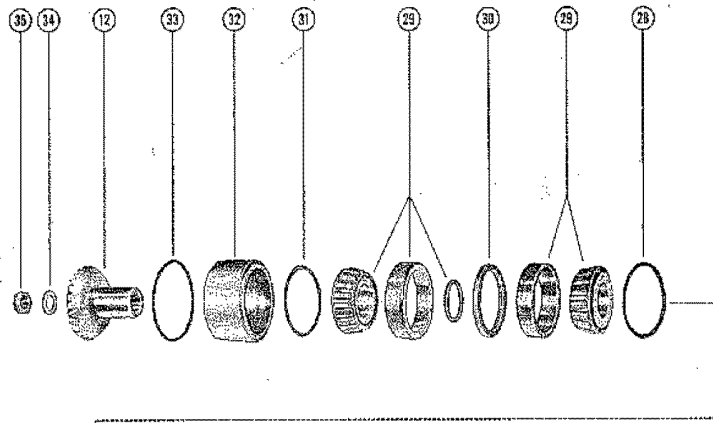
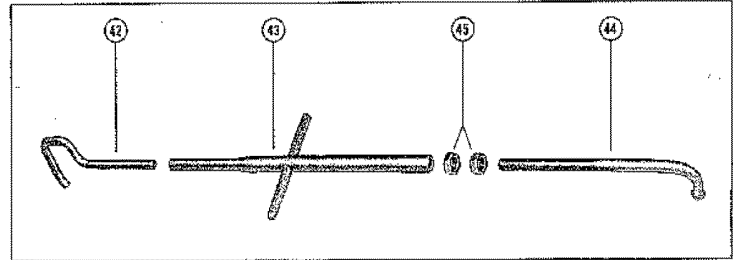
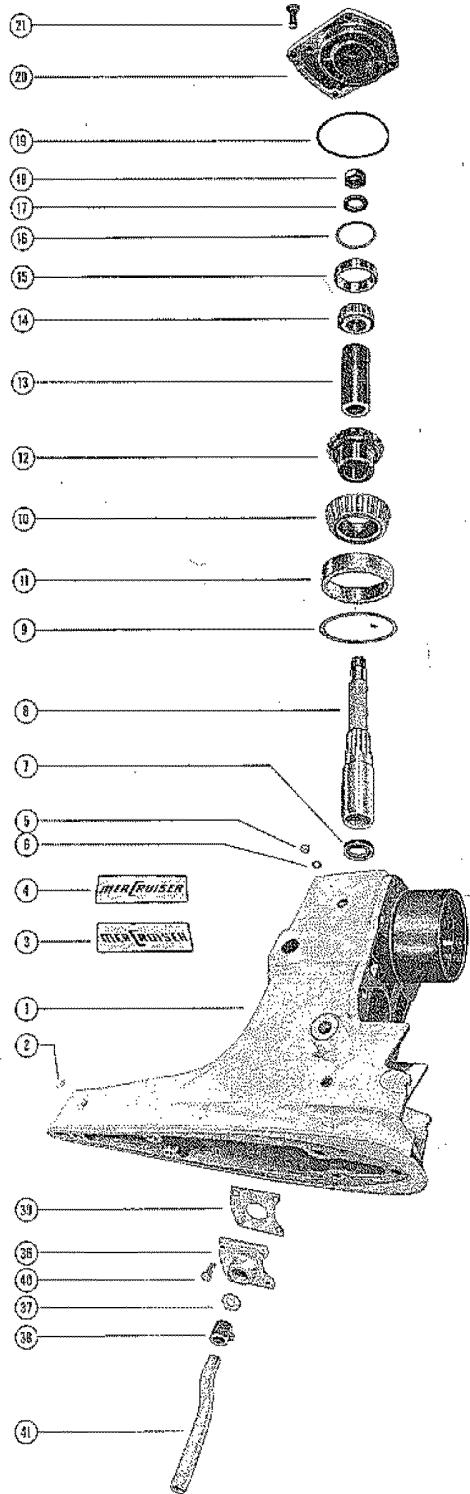
DRIVE SHAFT HOUSING ASSEMBLY AND BELL HOUSING ASSEMBLY



DRIVE SHAFT HOUSING ASSEMBLY AND BELL HOUSING ASSEMBLY

REF. NO.	PART NO.	SYM.	QTY.	DESCRIPTION
52	54-32523		1,1,1,1	CLAMP, WATER HOSE TO GIMBAL HOUSING WATER TUBE
53	32734		1,1,1,1	BELLOWS, EXHAUST - BELL HOUSING TO GIMBAL HOUSING
54	54-32533		1,1,1,1	CLAMP, EXHAUST HOSE TO BELL HOUSING
55	54-32533		1,1,1,1	CLAMP, EXHAUST HOSE TO GIMBAL HOUSING
56	31014		,,1,1	BUMPER, BELL HOUSING

DRIVE SHAFT HOUSING ASSEMBLY AND GEAR ASSEMBLY

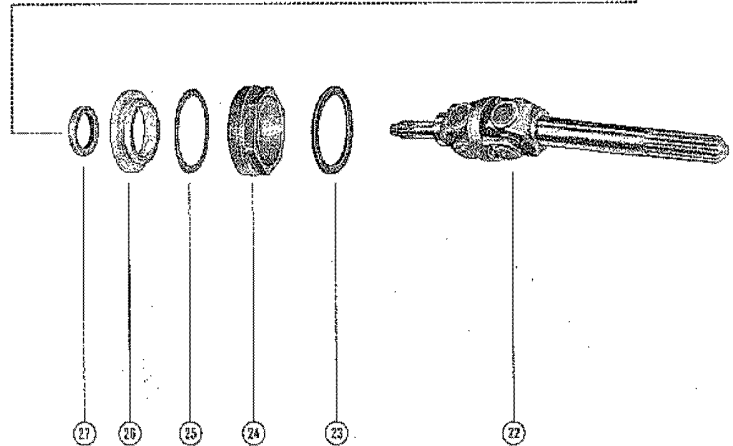
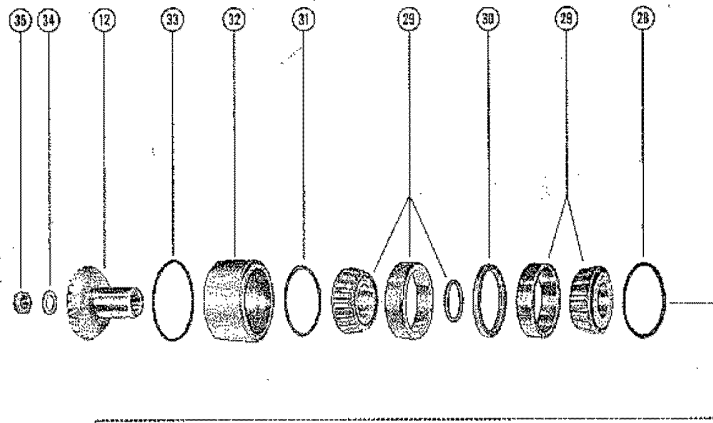
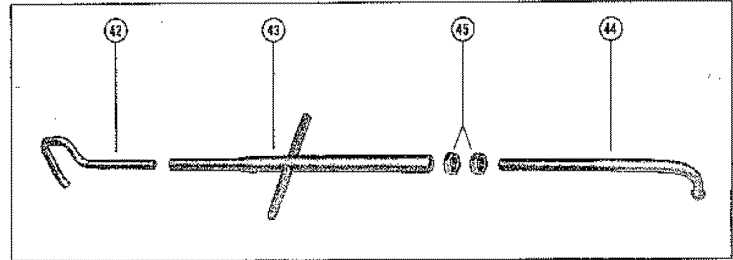
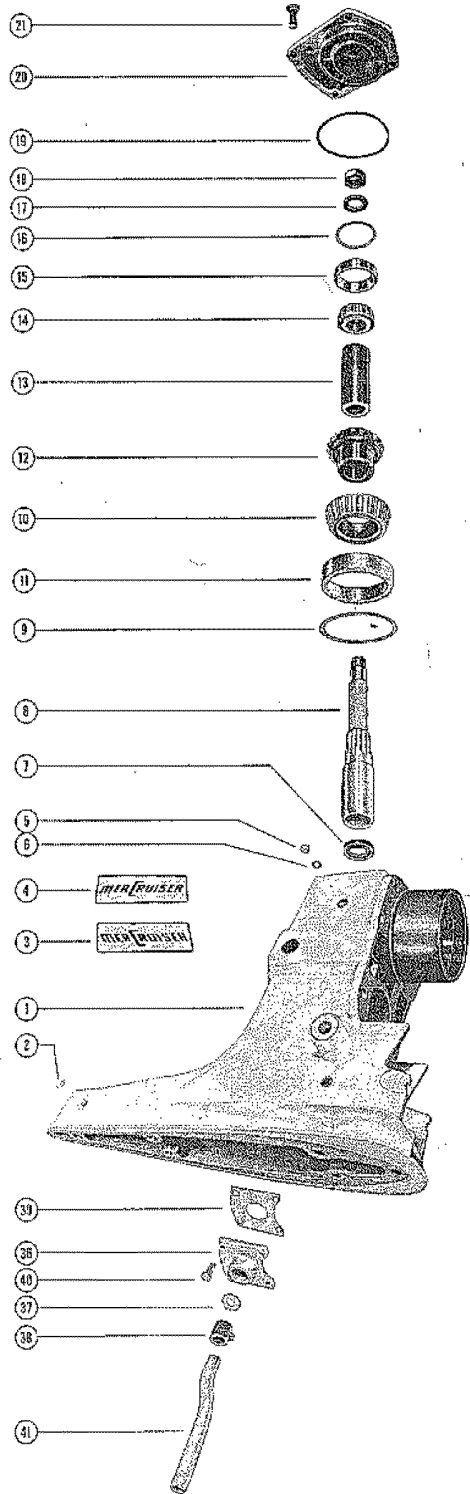


DRIVE SHAFT HOUSING ASSEMBLY AND GEAR ASSEMBLY

REF. NO.	PART NO.	SYM.	QTY.	DESCRIPTION
1	1547-2024A1		1,,,	DRIVE SHAFT HOUSING ASSEMBLY SEE PAGE 7 FOR PARTS BREAKDOWN
	1547-2096A1		,1,,	DRIVE SHAFT HOUSING ASSEMBLY SEE PAGE 7 FOR PARTS BREAKDOWN
	1547-2184A1		,,1,1	DRIVE SHAFT HOUSING ASSEMBLY SEE PAGE 7 FOR PARTS BREAKDOWN
2	19-29850		1,1,1,1	PLUG, TRIM TAB HOLE - DRIVE SHAFT HOUSING
3	37-32655		1,1,1,1	DECAL, DRIVE SHAFT HOUSING - PORT
4	37-32654		1,1,1,1	DECAL, DRIVE SHAFT HOUSING - STARBOARD
5	10-28634		2,2,2,2	SCREW, DRIVE SHAFT HOUSING GREASE FILLER AND VENT HOLE
6	12-20260		2,2,2,2	WASHER DRIVE SHAFT HOUSING GREASE FILLER AND VENT HOLE SCREW
7	26-32511		1,1,1,1	OIL SEAL, GEAR CHAMBER - DRIVE SHAFT HOUSING
8	45-32583		1,1,1,1	DRIVE SHAFT, UPPER
9	15-32562A1		AR,AR,AR,A	SHIM, ROLLER BEARING CUP TO DRIVE SHAFT HOUSING(.022-3-5-10)
10	31-32573A1		1,1,1,1	TAPPERED ROLLER BEARING ASSEMBLY, PINION GEAR
11	31-32574		1,1,1,1	CUP, TAPERED ROLLER BEARING
12	43-33538A1		1,1,1,1	GEAR ASSEMBLY, COMPLETE (SOLD ONLY IN SETS OF 2 - DRIVE AND PINION)
13	23-32591		1,1,1,1	SPACE, UPPER DRIVE SHAFT
14	31-32575A1		1,1,1,1	TAPERED ROLLER BEARING ASSEMBLY, UPPER DRIVE SHAFT
15	31-32576		1,1,1,1	CUP, TAPERED ROLLER BEARING
16	15-32563A1		AR,AR,AR,A	SHIM DRIVE SHAFT ROLLER BEARING CUP TO COVER(.002-3-5-10-25)
17	12-32506		1,1,1,1	WASHER, PINION GEAR, SPACE AND ROLLER BEARING TO UPPER DRIVE
18	11-22339		1,1,1,1	NUT PINION GEAR,SPACE AND ROLLER BEARING TO UPPER DRIVE SHAF
19	25-32546		1,1,1,1	"O" RING, TOP COVER SEALING
20	32491		1,1,1,1	COVER, TOP - DRIVE SHAFT HOUSING
21	10-32565		4,4,4,4	SCREW, TOP COVER TO DRIVE SHAFT HOUSING
22	32595		1,1,1,1	UNIVERSAL JOINT, DRIVE GEAR
-	36311		2,2,2,2	CROSS AND BEARING ASSEMBLY, UNIVERSAL JOINT
23	27-33508		,1,1,1	GASKET, RUBBER - TAPERED ROLLER BEARING COVER
24	32488		1,,,	COVER, TAPERED ROLLER BEARING - UNIVERSAL JOINT
	33505		,1,1,1	COVER, TAPERED ROLLER BEARING - UNIVERSAL JOINT
25	12-32572		1,1,1,1	WASHER, ROLLER BEARING COVER TO OIL SEAL CARRIER
26	32490A1		1,1,1,1	CARRIER ASSEMBLY, OIL SEAL
27	26-32512		1,1,1,1	OIL SEAL, CARRIER
28	25-32507		1,1,1,1	"O" RING, DRIVE GEAR ROLLER BEARING CARTRIDGE
29	31-32577A2		1,1,1,1	TAPERED ROLLER BEARING ASSEMBLY, DRIVE GEAR
30	23-32592		1,1,1,1	SPACER, DRIVE GEAR ROLLER BEARING CUPS

CONTINUED ON NEXT PAGE ➡

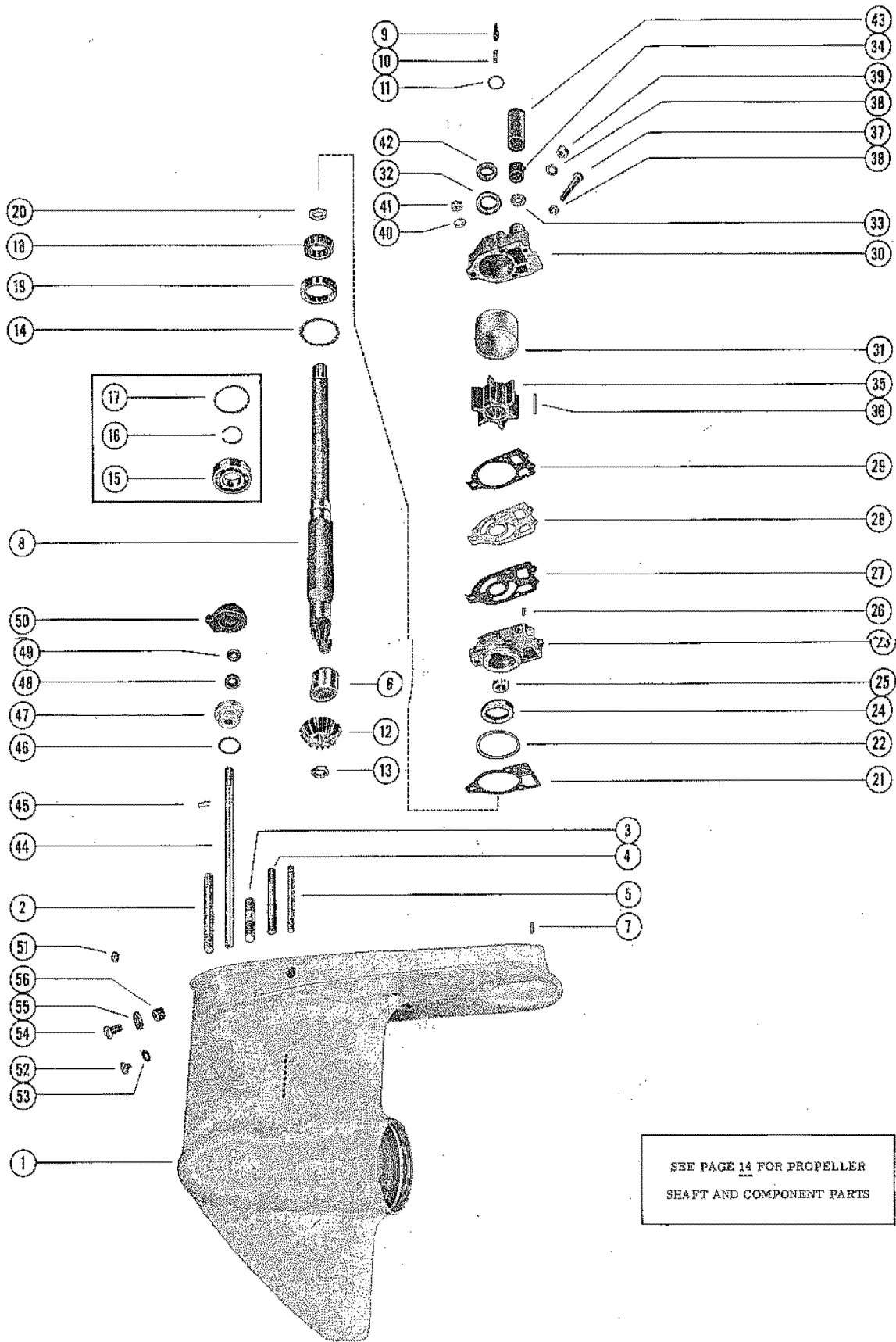
DRIVE SHAFT HOUSING ASSEMBLY AND GEAR ASSEMBLY



DRIVE SHAFT HOUSING ASSEMBLY AND GEAR ASSEMBLY

REF. NO.	PART NO.	SYM.	QTY.	DESCRIPTION
31	15-32562A1		AR,AR,AR,A	SHIM, DRIVE GEAR ROLLER BEARING TO CARTRIDGE (.002-3-5-10)
32	32485		1,1,1,1	CARTRIDGE, DRIVER GEAR TAPERED ROLLER BEARING
33	15-32564A1		AR,AR,AR,A	SHIM,BEARING CARTRIDGE TO DRIVE SHAFT HOUSING(002-3-5-10-25)
34	12-32506		1,1,1,1	WASHER, DRIVE GEAR TO UNIVERSAL JOINT NUT
35	11-22339		1,1,1,1	NUT, DRIVE GEAR TO UNIVERSAL JOINT
36	32489A2		1,1,1,1	COVER ASSEMBLY, WATER POCKET - DRIVE SHAFT HOUSING
37	12-36446		1,1,1,1	WASHER, WATER POCKET COVER
38	26-36557		1,1,1,1	SEAL, RUBBER - WATER POCKET COVER
39	27-32569		1,1,1,1	GASKET, WATER POCKET COVER
40	10-28636		4,4,4,4	SCREW, WATER POCKET COVER TO DRIVE SHAFT HOUSING
41	32-32587		1,1,1,1	TUBE, WATER - WATER POCKET COVER
-	32657A2		1,1,1,1	TURNBUCKLE ASSEMBLY, COMPLETE
42	32650		1,1,1,1	HOOK, TURNBUCKLE - LOWER (DRIVE SHAFT HOUSING)
43	32657A1		1,1,1,1	TURNBUCKLE ASSEMBLY, UPPER AND LOWER HOOKS
44	32656		1,1,1,1	HOOK, TURNBUCKLE - UPPER (GIMBAL HOUSING)
45	11-21612		2,2,2,2	NUT, ADJUSTING - UPPER HOOK
-	37-33737		2,2,2,2	DECAL, NAME PLATE - BOAT

GEAR HOUSING ASSEMBLY, COMPLETE (PAGE 1)

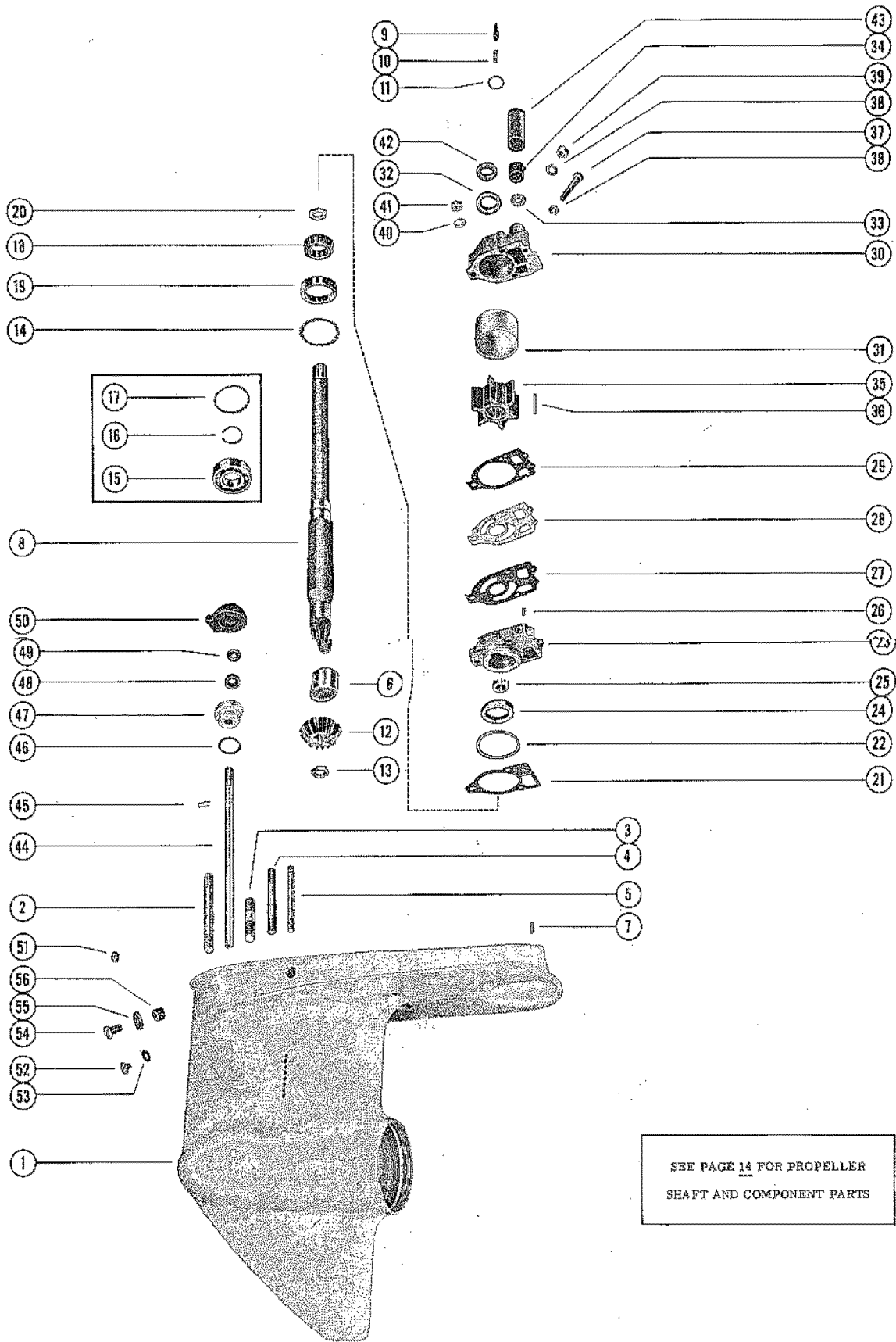


GEAR HOUSING ASSEMBLY, COMPLETE (PAGE 1)

REF. NO.	PART NO.	SYM.	QTY.	DESCRIPTION
-	1623-2022A4		1,1,,	GEAR HOUSING ASSEMBLY, COMPLETE
-	1623-2078A2		,,1,	GEAR HOUSING ASSEMBLY, COMPLETE
-	1623-2078A3		,,,1	GEAR HOUSING ASSEMBLY, COMPLETE
1	1623-2022A3		1,1,,	GEAR HOUSING ASSEMBLY
	1623-2078A1		,,1,1	GEAR HOUSING ASSEMBLY
2	16-29080		1,1,1,1	STUD, GEAR HOUSING TO DRIVE SHAFT HOUSING (3 3/16")
3	16-29078		2,2,2,2	STUD, GEAR HOUSING TO DRIVE SHAFT HOUSING (2")
4	16-30669		1,1,1,1	STUD, WATER PUMP BASE AND BODY TO GEAR HOUSING (3 1/4")
5	16-30667		2,2,2,2	STUD, WATER PUMP BASE AND BODY TO GEAR HOUSING (3 1/8")
6	31-29982		1,1,,	BEARING, ROLLER - DRIVE SHAFT
	31-32898		,,1,1	BEARING, ROLLER - DRIVE SHAFT
7	17-21438		,,2,2	PIN, DOWEL - GEAR HOUSING TO DRIVE SHAFT HOUSING
8	45-32594		1,1,,	DRIVE SHAFT
	45-33133A1		,,1,	DRIVE SHAFT ASSEMBLY
	45-34441A1		,,,1	DRIVE SHAFT ASSEMBLY
9	17-30545		,,1,1	PIN, DRIVE SHAFT
10	24-20254		,,1,	SPRING, COMPRESSION - DRIVE SHAFT
	24-34576		,,,1	SPRING, COMPRESSION - DRIVE SHAFT
11	25-30613		1,1,1,1	"O" RING, UPPER - DRIVE SHAFT
12	43-31419		1,1,,	GEAR, PINION - DRIVE SHAFT
	43-33134		,,1,1	GEAR, PINION - DRIVE SHAFT
13	11-30932		1,1,1,1	NUT, PINION GEAR TO DRIVE SHAFT
14	15-30278A1		AR,AR,,	SHIM, DRIVE SHAFT BEARING TO GEAR HOUSING (.002-3-5-10)
	15-33143A1		,,AR,AR	SHIM, DRIVE SHAFT BEARING TO GEAR HOUSING (.002-3-5-10)
15	30-30464		1,1,,	BEARING, BALL - DRIVE SHAFT
16	53-30726		1,1,,	RING, RETAINING - BALL BEARING
17	15-30278A1		AR,AR,,	SHIM, DRIVE SHAFT BEARING TO WATER PUMP BASE (.002-3-5-10)
18	31-33138A1		,,1,	TAPERED ROLLER BEARING ASSEMBLY, DRIVE SHAFT
	31-34448A1		,,,1	TAPERED ROLLER BEARING ASSEMBLY, DRIVE SHAFT
19	31-33139		,,1,1	CUP, TAPERED ROLLER BEARING
20	11-33672		,,1,	NUT, ROLLER BEARING TO DRIVE SHAFT
21	27-32438		1,1,,	GASKET, WATER PUMP BASE TO GEAR HOUSING
	27-33146		,,1,1	GASKET, WATER PUMP BASE TO GEAR HOUSING
22	25-30224		1,1,,	"O" RING, WATER PUMP BASE
	25-33145		,,1,1	"O" RING, WATER PUMP BASE
23	46-32436A1		1,1,,	WATER PUMP BASE ASSEMBLY
	45-33132A1		,,1,	WATER PUMP BASE ASSEMBLY
	46-34447A1		,,,1	WATER PUMP BASE ASSEMBLY

CONTINUED ON NEXT PAGE ➡

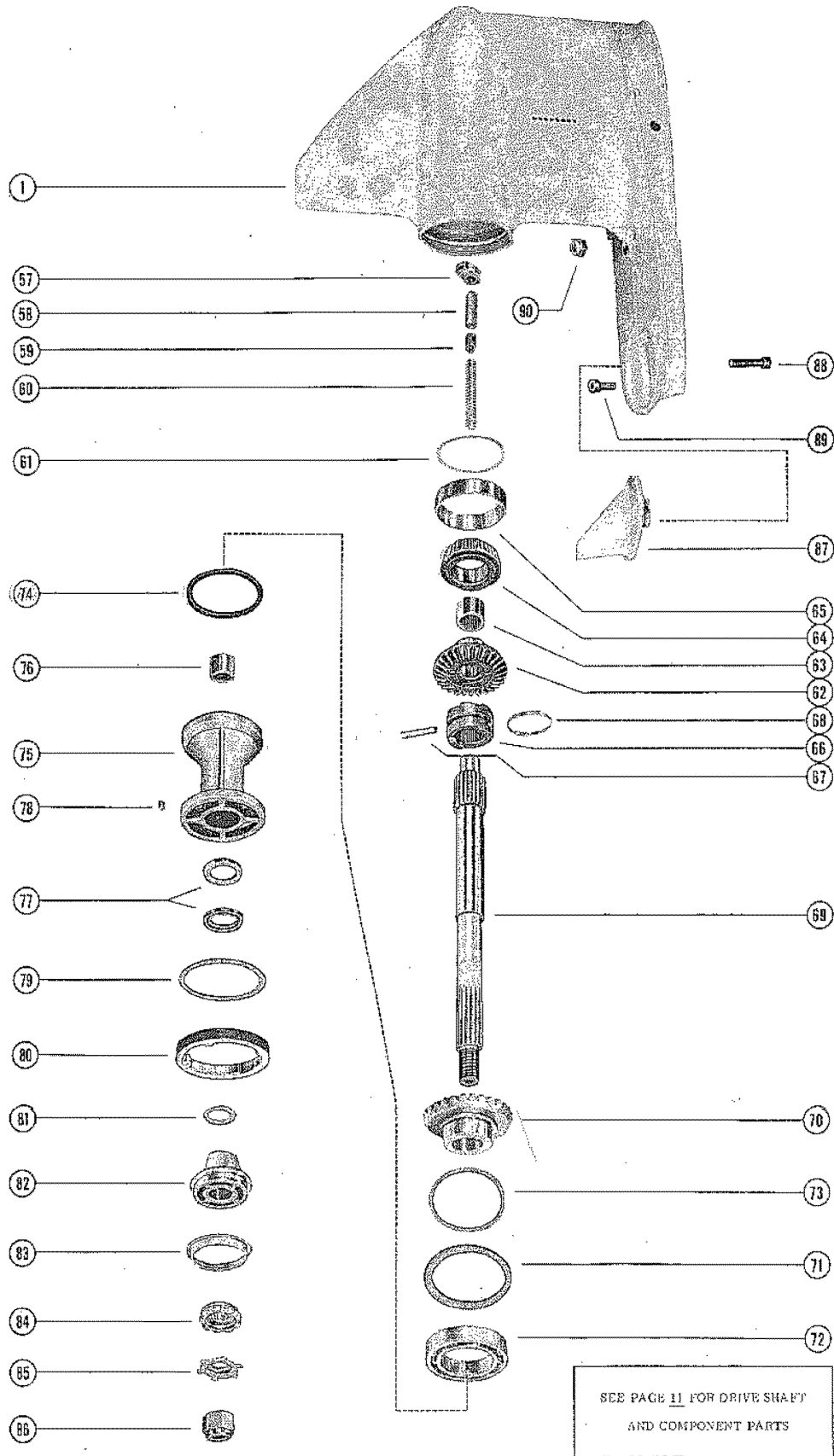
GEAR HOUSING ASSEMBLY, COMPLETE (PAGE 1)



GEAR HOUSING ASSEMBLY, COMPLETE (PAGE 1)

REF. NO.	PART NO.	SYM.	QTY.	DESCRIPTION
24	26-31489		1,1,,	OIL SEAL, WATER PUMP BASE
	26-33144		,,1,1	OIL SEAL, WATER PUMP BASE
25	26-31507		,,,1	OIL SEAL, WATER PUMP BASE
26	17-29596		2,2,2,2	DOWEL PIN, WATER PUMP BASE TO WATER PUMP BODY
27	27-32433		1,1,1,1	GASKET, LOWER - WATER PUMP BASE TO FACE PLATE
28	32435		1,1,1,1	PLATE, FACE - WATER PUMP BASE TO WATER PUMP BODY
29	27-32434		1,1,1,1	GASKET, UPPER - FACE PLATE TO WATER PUMP BODY
30	46-32437A3		1,1,1,1	WATER PUMP BODY ASSEMBLY
31	30915		1,1,1,1	INSERT, WATER PUMP BODY
32	26-31507		1,1,1,1	OIL SEAL, WATER PUMP BODY
33	12-36446		1,1,1,1	WASHER, WATER PUMP BODY
34	26-36557		1,1,1,1	SEAL, RUBBER - WATER INLET TUBE
35	47-30221		1,1,1,1	IMPELLER, WATER PUMP
36	17-29967		1,1,1,1	PIN, IMPELLER DRIVE
37	10-30720		1,1,1,1	SCREW, WATER PUMP BODY TO GEAR HOUSING (1/4)
38	13-26992		3,3,3,3	LOCKWASHER, WATER PUMP BODY SCREW AND STUDS (1/4)
39	11-29598		2,2,2,2	NUT, WATER PUMP BODY STUDS (1/4)
40	13-26993		1,1,1,1	LOCKWASHER, WATER PUMP BODY STUD (5/16)
41	11-28770		1,1,1,1	NUT, WATER PUMP BODY STUD (5/16)
42	25-30271		1,1,1,1	RING, RUBBER - CENTRIFUGAL SLINGER (DRIVE SHAFT)
43	23-29804		1,1,1,1	SLEEVE, GUIDE - WATER INLET TUBE
44	25136		1,1,1,1	SHAFT, SHIFT - LOWER
45	18-20233		1,1,1,1	CLIP, RETAINING - SHIFT SHAFT
46	25-25439		1,1,1,1	"O" RING, SHIFT SHAFT BUSHING
47	23-30617A1		1,1,1,1	BUSHING ASSEMBLY, SHIFT SHAFT
48	26-31249		1,1,1,1	OIL SEAL, SHIFT SHAFT BUSHING
49	12-31266		1,1,1,1	WASHER, RUBBER - SHIFT SHAFT BUSHING
50	32544		1,1,1,1	STOP, SHIFT SHAFT
51	22-21290		1,1,1,1	PLUG, PIPE - SHIFT SHAFT GREASE FILLER HOLE
52	10-28634		2,2,2,2	SCREW, GEAR HOUSING GREASE FILLER AND VENT HOLE
53	12-20260		2,2,2,2	WASHER, GEAR HOUSING GREASE FILLER AND VENT HOLE SCREW
54	10-29608		1,1,1,1	SCREW, GEAR HOUSING FLUSHING HOLE
55	27-29586		1,1,1,1	GASKET, GEAR HOUSING FLUSHING HOLE SCREW
56	26-29612		1,1,1,1	SEAL, GEAR HOUSING FLUSHING HOLE SCREW

GEAR HOUSING ASSEMBLY, COMPLETE (PAGE 2)

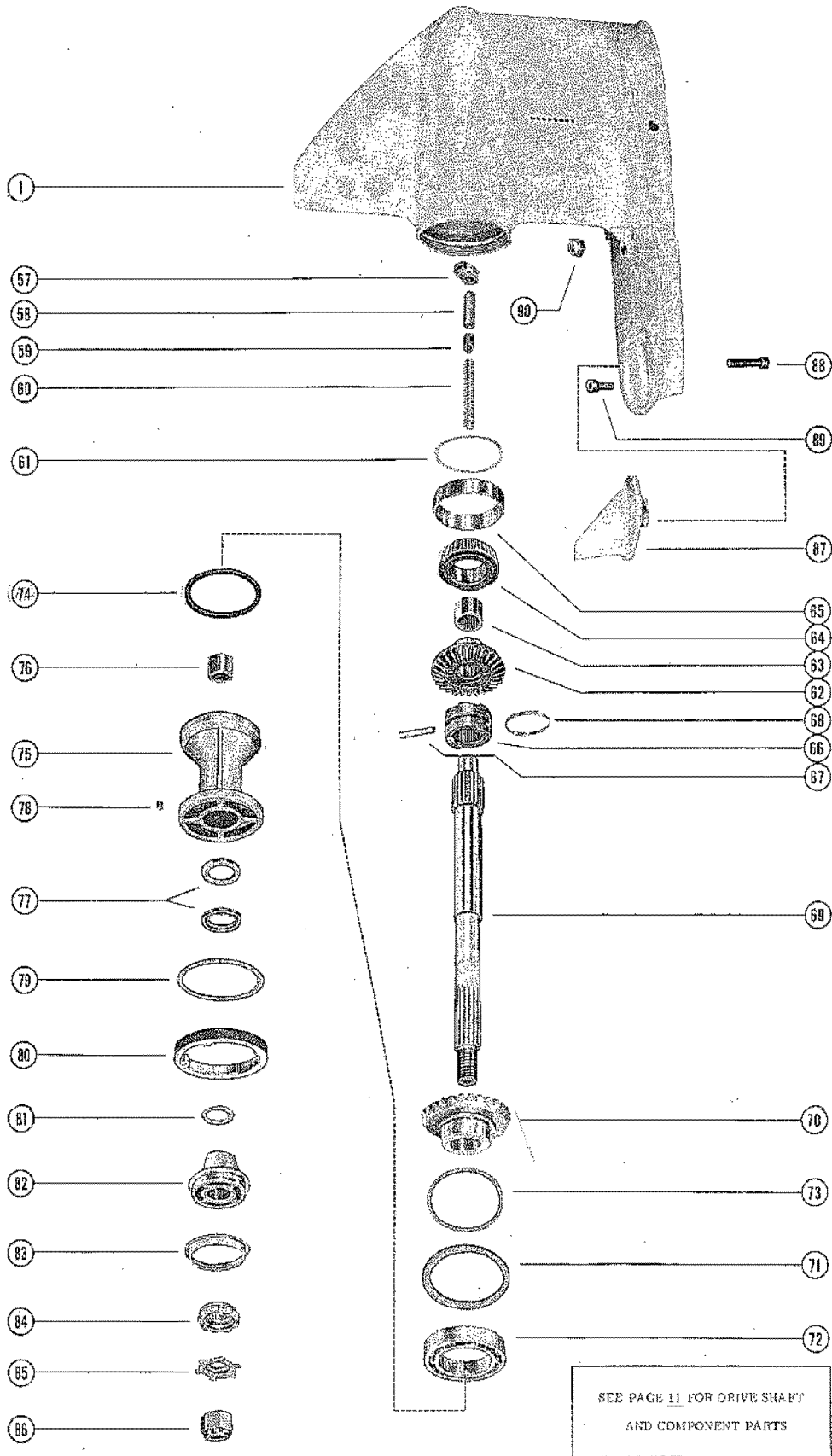


GEAR HOUSING ASSEMBLY, COMPLETE (PAGE 2)

REF. NO.	PART NO.	SYM.	QTY.	DESCRIPTION
-	1623-2022A4		1,1,,	GEAR HOUSING ASSEMBLY, COMPLETE
-	1623-20748A2		,,1,	GEAR HOUSING ASSEMBLY, COMPLETE
-	1623-2078A3		,,,1	GEAR HOUSING ASSEMBLY, COMPLETE
1	1623-2022A3		1,1,,	GEAR HOUSING ASSEMBLY SEE PAGE 11 FOR PARTS BREAKDOWN
	1623-2078A1		,,1,1	GEAR HOUSING ASSEMBLY
57	36288		1,1,1,1	CAM, SHAFT
58	30625		1,1,1,1	FOLLOWER, CAM
59	30624		1,1,1,1	SLIDE, CROSS PIN
60	24-30622		1,1,1,1	SPRING, COMPRESSION - CAM FOLLWER
61	15-30923A1		AR,AR,AR,A	SHIM, BEARING OUTER RACE TO GEAR HOUSING (.002-3-5-10)
62	43-31886		1,1,,	FOWARD GEAR ASSEMBLY
	43-33135		,,1,1	FOWARD GEAR ASSEMBLY
63	31-30895		1,1,1,1	BEARING, ROLLER - FOWARD GEAR
64	31-30894A1		1,1,1,1	TAPERED ROLLER BEARING ASEMBLY
65	31-31092		1,1,1,1	CUP, TAPERED ROLLER BEARING
66	34239		1,1,1,1	RATCHET, SLIDING CLUTCH
67	17-30632		1,1,1,1	PIN, CROSS - RATCHET TO PROPELLER SHAFT
68	24-30893		1,1,1,1	SPRING, RETAINING - CROSS PIN
69	44-32164		1,1,1,1	SHAFT, PROPELLER
70	43-31887		1,1,,	REVERSE GEAR ASSEMBLY
	43-33136		,,1,1	REVERSE GEAR ASSEMBLY
71	12-30633		1,1,1,1	WASHER, THRUST - BEARING CARRIER TO GEAR HOUSING
72	30-31265		1,1,1,1	BEARING, BALL - REVERSE GEAR
73	15-29955A1		AR,AR,AR,A	SHIM, THRUST WASHER TO GEAR HOUSING (.002-3-5-10)
74	25-29976		1,1,1,1	"O" RING, BEARING CARRIER
75	31284A1		1,1,1,1	BEARING CARRIER ASSEMBLY
76	31-30956		1,1,1,1	BEARING, ROLLER - BEARING CARRIER
77	26-30550		2,2,2,2	OIL SEAL, BEARING CARRIER
78	28-30281		1,1,1,1	KEY, LOCATING - BEARING CARRIER
79	12-29957		1,1,1,1	WASHER, GEAR HOUSING COVER
80	31037		1,1,1,1	OVER, GEAR HOUSING
81	12-31013		1,1,1,1	WASHER, THRUST - BEARING CARRIER
82	30581A1		1,1,1,1	THRUST HUB AND WASHER ASSEMBLY
83	12-29590		1,1,1,1	WASHER, CUPPED - THRUST HUB
84	12-31211		1,1,1,1	WASHER, SPLINED - PROPELLER SHAFT
85	14-31210		1,1,1,1	TAB WASHER, PROPELLER HUT

CONTINUED ON NEXT PAGE ➡

GEAR HOUSING ASSEMBLY, COMPLETE (PAGE 2)



GEAR HOUSING ASSEMBLY, COMPLETE (PAGE 2)

REF. NO.	PART NO.	SYM.	QTY.	DESCRIPTION
86	11-29594		1,1,1,1	NUT, PROPELLER
87	34127		1,1,1,1	TRIM TAB, GEAR HOUSING
88	10-32470		1,1,1,1	SCREW, TRIM TAB TO GEAR HOUSING (1 3/4")
89	10-30206		1,1,1,1	SCREW, GEAR HOUSING TO DRIVE SHAFT HOUSING (1")
90	11-22178		2,2,2,2	NUT, DRIVE SHAFT HOUSING TO GEAR HOUSING STUD

PARTS INDEX

Part Number	Description	Pg.	Ref. No.	Part Number	Description	Pg.	Ref. No.
20007	ANCHOR, SHIFT ACTUATING CABLE END GUIDE			32490A1	CARRIER ASSEMBLY, OIL SEAL	23	26
		7	51	32491	COVER, TOP - DRIVE SHAFT HOUSING	23	20
25136	SHAFT, SHIFT - LOWER	29	44	32498	PLATE, TRANSOM	3	1
27872	COUPLER HALVES, STEERING LINK ROD - CABLE END	15	42	32499A1	BELL HOUSING ASSEMBLY	19	26
29332	ROD, STEERING LINK - STEERING LEVER PIVOT STUD	15	37	32504A1	GIMBAL HOUSING ASSEMBLY	9	1
29332A2	LINK ROD ASSEMBLY	15	--	32504A6	GIMBAL HOUSING ASSEMBLY	9	1
29359	LUBRICAP, GIMBAL HOUSING GREASE FITTING	9	8	32505A2	GIMBAL RING ASSEMBLY	13	1
29359	LUBRICAP, GIMBAL RING GREASE FITTING	13	5	32517	COVER, WATER TUBE SEALING DBUSHING - GIMBAL HOUSING	9	27
29698	BALL, STEEL - STEERING LEVER PIVOT STUD	15	38	32520	HOOK, REVERSE	17	11
29880	GUIDE, SHIFT ACTUATING CABLE END	7	50	32544	STOP, SHIFT SHAFT	29	50
30212	TERMINAL BLOCK, TRANSOM PLATE (NOT AS SHOWN)	3	4	32580A1	SHAFT ASSEMBLY, SHIFT - UPPER	19	34
30581A1	THRUST HUB AND WASHER ASSEMBLY	31	82	32582	SHAFT, UPPER SWIVEL - GIMBAL RING TO GIMBAL HOUSING	15	27
30624	SLIDE, CROSS PIN	31	59	32585	LEVER, SHIFT CONTROL- TRANSOM PLATE	3	7
30625	FOLLOWER, CAM	31	58	32588A1	STOP ASSEMBLY, REVERSE HOOK ARM	17	19
30915	INSERT, WATER PUMP BODY	29	31	32589	ARM, REVERSE HOOK - DRIVE SHAFT HOUSING	17	10
31014	BUMPER, BELL HOUSING	21	56	32595	UNIVERSAL JOINT, DRIVE GEAR	23	22
31037	OVER, GEAR HOUSING	31	80	32602	BELLOWS, UNIVERSAL JOINT COVERING	19	47
31284A1	BEARING CARRIER ASSEMBLY	31	75	32625	CRANK, BELL - REVERSE HOOK RELEASE LINK ROD	19	40
31578	MOUNT, RUBBER - GIMBAL HOUSING BALL BEARING	9	10	32626	HANDLE, REVERSE HOOK RELEASE - BELL HOUSING	19	41
31659	BELLOWS, SHIFT ACTUATING CABLE COVERING	9	22	32628	SHAFT, SHIFT - INTERMEDIATE	17	22
31897	LEVER, TILT STOP SWITCH ACTUATING - GIMBAL RING	13	24	32629A1	LEVER ASSEMBLY, REVERSE HOOK RELEASE - BELL HOUSING	19	44
31899	PLATE, RETAINING - TILT STOP SWITCH TO GIMBAL RING	13	20	32630	LEVER, STEERING - UPPER SWIVEL SHAFT	15	26
32169	TERMINAL BLOCK, TRANSOM PLATE	3	4	32637	STRAP, TILT STOP SWITCH RETAINING	13	22
32435	PLATE, FACE - WATER PUMP BASE TO WATER PUMP BODY	29	28	32650	HOOK, TURNBUCKLE - LOWER (DRIVE SHAFT HOUSING)	25	42
32485	CARTRIDGE, DRIVER GEAR TAPERED ROLLER BEARING	25	32	32656	HOOK, TURNBUCKLE - UPPER (GIMBAL HOUSING)	25	44
32486A1	LEVER ASSEMBLY, UPPER SHIFT SHAFT	19	35	32657A1	TURNBUCKLE ASSEMBLY, UPPER AND LOWER HOOKS	25	43
32487	SHIFT ACTUATING CABLE	7	48	32657A2	TURNBUCKLE ASSEMBLY, COMPLETE	25	--
32488	COVER, TAPERED ROLLER BEARING - UNIVERSAL JOINT	23	24	32688A1	TILT STOP SWITCH ASSEMBLY, GIMBAL RING	13	17

PARTS INDEX

Part Number	Description	Pg.	Ref. No.	Part Number	Description	Pg.	Ref. No.
32734	BELLOWS, EXHAUST - BELL HOUSING TO GIMBAL HOUSING	21	53	10-28634	SCREW, GEAR HOUSING GREASE FILLER AND VENT HOLE	29	52
32745	LINK ROD REVERSE HOOK RELEASE HANDLE TO REVERSE HOOK	19	43	10-28635	SCREW, WATER TUBE SEALING COVER TO GIMBAL HOUSING	9	28
33505	COVER, TAPERED ROLLER BEARING - UNIVERSAL JOINT	23	24	10-28636	SCREW, WATER POCKET COVER TO DRIVE SHAFT HOUSING	25	40
33506A1	BELL HOUSING ASSEMBLY	19	26	10-28739	SCREW, TILT STOP SWITCH LEADS TO TERMINAL BLOCK	3	6
33795A1	BELL HOUSING ASSEMBLY	19	26	10-29608	SCREW, GEAR HOUSING FLUSHING HOLE	29	54
33980A1	LEVER ASSEMBLY, UPPER SHIFT SHAFT	19	35	10-30206	SCREW, GEAR HOUSING TO DRIVE SHAFT HOUSING (1")	33	89
33981	SLIDE, SHIFT ACTUATING CABLE	7	48	10-30663	SCREW, TILT STOP SWITCH LEADS TO TERMINAL BLOCK	3	6
34048A1	CABLE ASSEMBLY, SHIFT ACTUATING	5	45	10-30720	SCREW, WATER PUMP BODY TO GEAR HOUSING (1/4)	29	37
34086A1	CORE WIRE AND ANCHOR ASSEMBLY, INNER SHIFT ACTUATING CABLE	5	46	10-31700	SCREW, SET - SHIFT ACTUATING CABLE TO SLIDE	7	49
34127	TRIM TAB, GEAR HOUSING	33	87	10-31903	SCREW, TILT STOP SWITCH ACTUATING LEVER TO GIMBAL RING	13	25
34239	RATCHET, SLIDING CLUTCH	31	66	10-32470	SCREW, TRIM TAB TO GEAR HOUSING (1 3/4")	33	88
34285A2	GIMBAL RING ASSEMBLY	13	1	10-32514	BOLT, SHOCK ABSORBER TO DRIVE SHAFT HOUSING	13	12
34762A1	PLATE ASSEMBLY, INHIBITOR - GIMBAL HOUSING	9	15	10-32515	SCREW, DRIVE SHAFT HOUSING TO BELL HOUSING	17	7
35186	PLATE, TRANSOM	3	1	10-32524	SCREW, REVERSE HOOK ARM STOP TO REVERSE HOOK ARM	17	20
35187A1	CABLE ASSEMBLY, SHIFT ACTUATING	5	45	10-32527	SCREW, REVERSE HOOKS TO REVERSE HOOK ARM	17	13
36288	CAM, SHAFT	31	57	10-32528	BOLT, HOUSING TO PLATE (3 3/4")	9	20
36311	CROSS AND BEARING ASSEMBLY, UNIVERSAL JOINT	23	--	10-32529	SCREW, TRANSOM PLATE TO GIMBAL HOUSING (4 3/16")	5	35
10-20367	SCREW, TILT STOP SWITCH COVER TO GIMBAL RING	13	18	10-32565	SCREW, TOP COVER TO DRIVE SHAFT HOUSING	23	21
10-20518	SCREW, SET - ANCHOR TO SHIFT ACTUATING CABLE END GUIDE	7	52	10-32571	SCREW, HINGE PIN RETAINING - GIMBAL RING	13	7
10-22290	SCREW, DRIVE- NAME PLATE TO TRANSOM PLATE	5	26	10-32636	SCREW, TRANSOM PLATE TO ENGINE FLYWHEEL HOUSING	5	37
10-22387	SCREW, TILT STOP SWITCH RETAINING OPLATE AND STRAP TO GIMBAL	13	21	10-32640	BOLT, TILT ADJUSTMENT - GIMBAL RING	13	15
10-22659	SCREW, SHIFT ACTUATING CABLE TO SHIFT CONTROL LEVER	3	17	10-32651	SCREW, BELL CRANK AND HANDLE TO BELL HOUSING	19	42
10-22659	SCREW, SHIFT CABLE ASSEMBLY TO SHIFT CONTROL LEVER	3	12				
10-25612	SCREW, DRIVE - BELL HOUSING FLANGE	19	33				
10-25612	SCREW, DRIVE - GIMBAL HOUSING EXHAUST FLANGE	9	14				
10-26668	SCREW, SHIFT ACTUATING CABLE CLAMP TO TRANSOM PLATE	3	2				

PARTS INDEX

Part Number	Description	Pg.	Ref. No.	Part Number	Description	Pg.	Ref. No.
10-32694	SCREW, REVERSE HOOK ARM TO DRIVE HOUSING	17	16	11-21528	NUT, TILT ADJUSTMENT BOLT	13	16
10-32695	SCREW, TRANSOM PLATE TO GIMBAL HOUSING (2 1/4")	5	34	11-21612	NUT, ADJUSTING - UPPER HOOK	25	45
10-32737	SCREW, SHIFT ACTUATING CABLE TO TRANSOM PLATE	3	2	11-22178	NUT, DRIVE SHAFT HOUSING TO BELL HOUSING SCREW	17	9
10-32995	SCREW, STEERING LEVER TO UPPER SWIVEL SHAFT	15	30	11-22178	NUT, DRIVE SHAFT HOUSING TO GEAR HOUSING STUD	33	90
10-33022	SCREW, UPPER SWIVEL SHAFT RETAINING - GIMBAL RING	15	32	11-22178	NUT, GEAR HOUSING TO DRIVE SHAFT HOUSING STUD	19	25
10-33152	SCREW TERMINAL BLOCK TO TRANSOM PLATE	3	5	11-22339	NUT, GIMBAL HOUSING TO TRANSOM PLATE BOLT	5	44
10-33805	SCREW, HINGE PIN RETAINING - GIMBAL RING	13	7	11-22339	NUT PINION GEAR,SPACE AND ROLLER BEARING TO UPPER DRIVE SHAF	23	18
10-33809	BOLT, TILT ADJUSTMENT - GIMBAL RING	13	15	11-22339	NUT, DRIVE GEAR TO UNIVERSAL JOINT	25	35
10-33811	SCREW, DRIVE SHAFT HOUSING TO BELL HOUSING	17	7	11-22339	NUT, SOCK ABSORBER TO DRIVE SHAFT HOUSING BOLT OR STUD	13	14
10-33823	BOLT, HOUSING TO PLATE (4")	9	20	11-23161	NUT, TILT ADJUSTMENT BOLT	13	16
10-34013	BOLT, HOUSING TO PLATE (3 3/4")	9	20	11-28770	NUT, WATER PUMP BODY STUD (5/16)	29	41
10-34763	SCREW, INHIBITOR PLATE TO GIMBAL HOUSING	9	16	11-29594	NUT, PROPELLER	33	86
10-35624	BOLT, HOUSING TO PLATE (4")	9	20	11-29598	NUT, WATER PUMP BODY STUDS (1/4)	29	39
11-20110	NUT, TILT STOP SWITCH RETAINING AND STRAP SCREW	13	23	11-30932	NUT, PINION GEAR TO DRIVE SHAFT	27	13
11-20220	NUT, TRANSOM PLATE TO ENGINE FLYWHEEL SCREW	5	42	11-32522	NUT, SPLINED - TRANSOM PLATE TO GIMBAL HOUSING SCREW	9	9
11-20361	NUT, SHIFT ACTUATING CABLE END GUIDE STUD	5	30	11-32522	NUT, SPLINED - DRIVE SHAFT HOUSING TO BELL HOUSING SCREW	19	27
11-20361	NUT, SHIFT ACTUATING CABLE TO SHIFT CONTROL LEVER	3	24	11-33672	NUT, ROLLER BEARING TO DRIVE SHAFT	27	20
11-20361	NUT, SHIFT ACTUATING CABLE TO SHIFT CONTROL LEVER SCREW	3	21	11-33825	NUT, REVERSE HOOKS TO REVERSE HOOK ARM SCREW	17	15
11-20509	NUT, REVERSE HOOK ARM STOP TO REVERSE HOOK ARM SCREW	17	21	11-33826	NUT, REVERSE HOOK ARM STOP TO REVERSE HOOK ARM SCREW	17	21
11-20509	NUT, STEERING LINK ROD	15	44	11-34087	NUT, GIMBAL HOUSING TO TRANSOM PLATE BOLT	5	44
11-20509	NUTM STEERING LEVER PIVOT STUD	15	41	11-35222	NUT, JAM - STEERING CABLE GUIDE TUBE	5	33
11-20586	NUT, REVERSE HOOKS TO REVERSE HOOK ARM SCREW	17	15	12-20086	WASHER, STEERING LINK ROD	15	43
11-20696	NUT, STEERING LEVER PTO UPPER SWIVEL SHAFT SCREW	15	31	12-20260	WASHER DRIVE SHAFT HOUSING GREASE FILLER AND VENT HOLE SCREW	23	6
				12-20260	WASHER, GEAR HOUSING GREASE FILLER AND VENT HOLE SCREW	29	53

PARTS INDEX

Part Number	Description	Pg.	Ref. No.	Part Number	Description	Pg.	Ref. No.
12-21900	WASHER, GIMBAL HOUSING TO TRANSOM PLATE BOLT	5	43	12-31760	WASHER, SHIFT CABLE ASSEMBLY SCREW	3	14
12-22248	WASHER, GIMBAL HOUSING TO TRANSOM PLATE BOLT	5	43	12-31760	WASHER, SHIFT CABLE ASSEMBLY SCREW	3	14
12-22248	WASHER, TRANSOM PLATE TO GIMBAL HOUSING SCREW	5	36	12-32506	WASHER, DRIVE GEAR TO UNIVERSAL JOINT NUT	25	34
12-24675	WASHER, REVERSE HOOK ARM TO DRIVE SHAFT HOUSING SCREW	17	17	12-32506	WASHER, PINION GEAR, SPACE AND ROLLER BEARING TO UPPER DRIVE	23	17
12-25909	WASHER, STEERING LEVER PIVOT STUD	15	35	12-32510	WASHER, UPPER SHIFT SHAFT LEVER	19	38
12-26825	WASHER, SHIFT CONTROL LEVER STUD	3	10	12-32518	WASHER, GIMBAL HOUSING TO GIMBAL RING LOWER SWIVEL PIN	9	19
12-28025	WASHER, SHOCK ABSORBER TO DRIVE SHAFT HOUSING BOLT OR STUD	13	13	12-32572	WASHER, ROLLER BEARING COVER TO OIL SEAL CARRIER	23	25
12-29245	WASHER, REVERSE HOOKS TO REVERSE HOOK ARM SCREW	17	14	12-32620	WASHER, GIMBAL HOUSING BOLT	9	21
12-29245	WASHER, SHIFT ACTUATING CABLE END GUIDE STUD	5	28	12-32638	WASHER, TRANSOM PLATE SCREW	5	39
12-29245	WASHER, SHIFT ACTUATING CABLE SCREW	3	20	12-32648	WASHER, DRIVE SHAFT HOUSING TO BELL HOUSING SCREW	17	8
12-29245	WASHER, SHIFT CABLE ASSEMBLY SCREW	3	15	12-32666	WASHER, INTERMEDIATE SHIFT SHAFT	19	23
12-29330	WASHER, NYLON - STEERING LEVER PIVOT STUD	15	36	12-32757	WASHER, TRANSOM PLATE SCREW	5	41
12-29590	WASHER, CUPPED - THRUST HUB	31	83	12-32834	WASHER, TRANSOM PLATE SCREW	5	39
12-29957	WASHER, GEAR HOUSING COVER	31	79	12-32996	WASHER, UPPER SWIVEL SHAFT (.015)	15	29
12-30119	WASHER, TRANSOM PLATE SCREW	5	38	12-32997	WASHER, UPPER SWIVEL SHAFT (.063)	15	29
12-30633	WASHER, THRUST - BEARING CARRIER TO GEAR HOUSING	31	71	12-34016	WASHER, REVERSE HOOK ARM TO DRIVE SHAFT HOUSING SCREW	17	17
12-31013	WASHER, THRUST - BEARING CARRIER	31	81	12-34567	WASHER, DRIVE SHAFT HOUSING TO BELL HOUSING SCREW	17	8
12-31211	WASHER, SPLINED - PROPELLER SHAFT	31	84	12-36446	WASHER, WATER POCKET COVER	25	37
12-31266	WASHER, RUBBER - SHIFT SHAFT BUSHING	29	49	12-36446	WASHER, WATER PUMP BODY	29	33
12-31760	WASHER, SHIFT ACTUATING CABLE END GUIDE STUD	5	28	13-26992	LOCKWASHER, WATER PUMP BODY SCREW AND STUDS (1/4)	29	38
12-31760	WASHER, SHIFT ACTUATING CABLE SCREW	3	19	13-26993	LOCKWASHER, WATER PUMP BODY STUD (5/16)	29	40
12-31760	WASHER, SHIFT ACTUATING CABLE SCREW	3	19	13-33734	LOCKWASHER, TRANSOM PLATE SCREW	5	40
12-31760	WASHER, SHIFT ACTUATING CABLE STUD	3	23	14-31210	TAB WASHER, PROPELLER HUT	31	85
				14-31828	TAB WASHER, SHIFT ACTUATING CABLE TO TRANSOM PLATE	3	3
				15-29955A1	SHIM, THRUST WASHER TO GEAR HOUSING (.002-3-5-10)	31	73

PARTS INDEX

Part Number	Description	Pg.	Ref. No.	Part Number	Description	Pg.	Ref. No.
15-30278A1	SHIM, DRIVE SHAFT BEARING TO GEAR HOUSING (.002-3-5-10) ..	27	14	17-20302	PIN, PIVOT - REVERSE HOOK RELEASE LEVER TO BELL HOUSING	19	46
15-30278A1	SHIM, DRIVE SHAFT BEARING TO WATER PUMP BASE (.002-3-5-10)	27	17	17-21438	PIN, DOWEL - GEAR HOUSING TO DRIVE SHAFT HOUSING	27	7
15-30923A1	SHIM, BEARING OUTER RACE TO GEAR HOUSING (.002-3-5-10)	31	61	17-29596	DOWEL PIN, WATER PUMP BASE TO WATER PUMP BODY	29	26
15-32562A1	SHIM, DRIVE GEAR ROLLER BEARING TO CARTRIDGE (.002-3-5-10)	25	31	17-29967	PIN, IMPELLER DRIVE	29	36
15-32562A1	SHIM, ROLLER BEARING CUP TO DRIVE SHAFT HOUSING(.022-3-5-10) ...	23	9	17-30545	PIN, DRIVE SHAFT	27	9
15-32563A1	SHIM DRIVE SHAFT ROLLER BEARING CUP TO COVER(.002-3-5-10-25) ..	23	16	17-30632	PIN, CROSS - RATCHET TO PROPELLER SHAFT	31	67
15-32564A1	SHIM,BEARING CARTRIDGE TO DRIVE SHAFT HOUSING(002-3-5-10-25) .	25	33	17-31769	PIN, RETAINING - LOWER SWIVEL PIN	9	18
15-33143A1	SHIM, DRIVE SHAFT BEARING TO GEAR HOUSING (.002-3-5-10) ..	27	14	17-32508	PIN, SWIVEL - GIMBAL HOUSING TO GIMBAL RING (LOWER)	9	17
15-33195010	SHIM, GIMBAL HOUSING BALL BEARING (.0010) ..	9	13	17-32566	PIN, HINGE - GIMBAL RING BELL HOUSING	13	6
15-33195015	SHIM, GIMBAL HOUSING BALL BEARING (.0015) ..	9	13	17-34286	PIN, HINGE - GIMBAL RING TO BELL HOUSING	13	6
15-33195020	SHIM, GIMBAL HOUSING BALL BEARING (.0020) ..	9	13	17-35166	PIN, DOWEL - BELL HOUSING TO DRIVE SHAFT HOUSING	19	31
16-20075	STUD, SHIFT ACTUATING CABLE END GUIDE TO TRANSOM PLATE	5	27	18-20233	CLIP, RETAINING - SHIFT SHAFT	29	45
16-20353	STUD, SHIFT ACTUATING CABLE END GUIDE TO TRANSOM PLATE	5	27	18-32521	COTTER PIN, SHOCK ABSORBER PIN RETAINING - GIMBAL RING	13	11
16-29078	STUD, GEAR HOUSING TO DRIVE SHAFT HOUSING (2")	27	3	18-32665	COTTER PIN, INTERMEDIATE SHIFT SHAFT RETAINING	19	24
16-29080	STUD, GEAR HOUSING TO DRIVE SHAFT HOUSING (3 3/16")	27	2	18-32857	COTTER PIN, SHIFT ACTUATING CABLE TO TRANSOM	5	31
16-30667	STUD, WATER PUMP BASE AND BODY TO GEAR HOUSING (3 1/8")	27	5	18-32857	COTTER PIN, UPPER SHIFT SHAFT TO UPPER SHIFT SHAFT LEVER	19	39
16-30669	STUD, WATER PUMP BASE AND BODY TO GEAR HOUSING (3 1/4")	27	4	18-34159	COTTER PIN, RETAINING - LOWER SWIVEL PIN	9	18A
16-30929	STUD, DRIVE SHAFT HOUSING TO GEAR HOUSING	17	5	18-35017	COTTER PIN, HINGE PIN RETAINING - GIMBAL RING	13	7A
16-32568	STUD, PIVOT - STEERING LEVER	15	34	19-29850	PLUG, TRIM TAB HOLE - DRIVE SHAFT HOUSING .	23	2
16-32698	STUD, SHIFT CONTROL LEVER TO TRANSOM PLATE	3	9	19-32525	WELCH PLUG, UPPER SHIFT SHAFT LEVER ...	19	36
16-33943	STUD, SHOCK ABSORBER TO DRIVE SHAFT HOUSING	13	12A	19-32652	WELCH PLUG, DRIVE SHAFT HOUSING	17	4
				22-21290	PLUG, PIPE - GIMBAL HOUSING	9	2
				22-21290	PLUG, PIPE - SHIFT SHAFT GREASE FILLER HOLE ..	29	51
				22-23612	FITTING, GREASE - GIMBAL RING	13	4
				22-31345	FITTING, GREASE - GIMBAL HOUSING	9	7

PARTS INDEX

Part Number	Description	Pg.	Ref. No.	Part Number	Description	Pg.	Ref. No.
22-32125	CONNECTOR, SHIFT ACTUATING CABLE - BELL HOUSING	19	28	24-33761	SPRING, TENSION - REVERSE HOOK TO REVERSE HOOK ARM	17	12
22-32561	PLUG, PIPE - UPPER SWIVEL SHAFT	15	28	24-34576	SPRING, COMPRESSION - DRIVE SHAFT	27	10
22-33066	CONNECTOR, WATER HOSE TO BELL HOUSING	19	29	25-25439	"O" RING, SHIFT SHAFT BUSHING	29	46
23-25915	BUSHING, STEERING LEVER PIVOT STUD	15	40	25-29976	"O" RING, BEARING CARRIER	31	74
23-28055	BUSHING, RUBBER - WATER TUBE SEALING	9	26	25-30224	"O" RING, WATER PUMP BASE	27	22
23-29804	SLEEVE, GUIDE - WATER INLET TUBE	29	43	25-30271	RING, RUBBER - CENTRIFUGAL SLINGER (DRIVE SHAFT)	29	42
23-30617A1	BUSHING ASSEMBLY, SHIFT SHAFT	29	47	25-30613	"O" RING, UPPER - DRIVE SHAFT	27	11
23-31758	SPACER, SHIFT CONTROL LEVER STUD	3	8	25-32507	"O" RING, DRIVE GEAR ROLLER BEARING CARTRIDGE	23	28
23-31866	SPACER, SHIFT ACTUATING CABLE END GUIDE STUD	5	29	25-32509	"O" RING, GIMBAL HOUSING BOLT	9	21
23-31866	SPACER, SHIFT ACTUATING CABLE SCREW	3	18	25-32509	"O" RING, UPPER SHIFT SHAFT LEVER SEALING	19	37
23-31866	SPACER, SHIFT CABLE ASSEMBLY SCREW	3	13	25-32546	"O" RING, TOP COVER SEALING	23	19
23-31902	SPACER, TILT STOP SWITCH TO RETAINING PLATE	13	19	25-33145	"O" RING, WATER PUMP BASE	27	22
23-32567	BUSHING, UPPER SHIFT SHAFT - BELL HOUSING	19	32	25-33504	"O" RING, BELL HOUSING SEAL, GEAR HOUSING	19	30
23-32591	SPACE, UPPER DRIVE SHAFT	23	13	26-29612	FLUSHING HOLE SCREW	29	56
23-32592	SPACER, DRIVE GEAR ROLLER BEARING CUPS	23	30	26-30550	OIL SEAL, BEARING CARRIER	31	77
23-32632	BUSHING, DRIVE SHAFT HOUSING	17	2	26-31249	OIL SEAL, SHIFT SHAFT BUSHING	29	48
23-32677	BUSHING, NYLON - GIMBAL HOUSING BALL BEARING	9	12	26-31489	OIL SEAL, WATER PUMP BASE	29	24
23-32848	BUSHING, RUBBER - SHOCK ABSORBER	13	9	26-31507	OIL SEAL, WATER PUMP BASE	29	25
23-34049	TUBE, NYLON - SHIFT ACTUATING CABLE GUIDE	7	47	26-31507	OIL SEAL, WATER PUMP BODY	29	32
23-35088	BUSHING, UPPER SHIFT SHAFT - BELL HOUSING	19	32	26-32511	OIL SEAL, GEAR CHAMBER - DRIVE SHAFT HOUSING	23	7
24-20254	SPRING, COMPRESSION - DRIVE SHAFT	27	10	26-32512	OIL SEAL, CARRIER	23	27
24-20510	SPRING, STEERING LEVER PIVOT STUD	15	39	26-32540	OIL SEAL, UPPER GIMBAL HOUSING ROLLER BEARING	9	4
24-30622	SPRING, COMPRESSION - CAM FOLLOWER	31	60	26-32541	OIL SEAL, GIMBAL RING	13	3
24-30893	SPRING, RETAINING - CROSS PIN	31	68	26-32911	OIL SEAL, LOWER GIMBAL HOUSING ROLLER BEARING	9	5
24-32659	SPRING, TENSION-REVERSE HOOK ARM TO DRIVE SHAFT HOUSING SCREW	17	18	26-33144	OIL SEAL, WATER PUMP BASE	29	24
24-32660	SPRING, TORSION - REVERSE HOOK RELEASE LEVER	19	45	26-36557	SEAL, RUBBER - WATER INLET TUBE	29	34
24-33080	SPRING, TENSION - REVERSE HOOK TO REVERSE HOOK ARM	17	12	26-36557	SEAL, RUBBER - WATER POCKET COVER	25	38
				27-29586	GASKET, GEAR HOUSING FLUSHING HOLE SCREW	29	55

PARTS INDEX

Part Number	Description	Pg.	Ref. No.	Part Number	Description	Pg.	Ref. No.
27-32434	GASKET, UPPER - FACE PLATE TO WATER PUMP BODY	29	29	31-32574	CUP, TAPERED ROLLER BEARING	23	11
27-32438	GASKET, WATER PUMP BASE TO GEAR HOUSING	27	21	31-32575A1	TAPERED ROLLER BEARING ASSEMBLY, UPPER DRIVE SHAFT	23	14
27-32569	GASKET, WATER POCKET COVER	25	39	31-32576	CUP, TAPERED ROLLER BEARING	23	15
27-32599	GASKET, DRIVE SHAFT HOUSING TO BELL HOUSING	17	6	31-32577A2	TAPERED ROLLER BEARING ASSEMBLY, DRIVE GEAR	23	29
27-32599	GASKET, DRIVE SHAFT HOUSING TO BELL HOUSING	19	--	31-32898	BEARING, ROLLER - DRIVE SHAFT	27	6
27-32658	HASKET, GIMBAL HOUSING TO TRANSOM	11	32	31-33139	CUP, TAPERED ROLLER BEARING	27	19
27-33146	GASKET, WATER PUMP BASE TO GEAR HOUSING	27	21	31-34448A1	TAPERED ROLLER BEARING ASSEMBLY, DRIVE SHAFT	27	18
27-33507	GASKET, DRIVE SHAFT HOUSING TO BELL HOUSING	17	6	32-32461	HOSE, WATER - BELL HOUSING TO GIMBAL HOUSING	19	50
27-33507	GASKET, DRIVE SHAFT HOUSING TO BELL HOUSING	19	--	32-32587	TUBE, WATER - WATER POCKET COVER	25	41
27-33508	GASKET, RUBBER - TAPERED ROLLER BEARING COVER	23	23	32-32605	TUBE, NYLON - SHIFT ACTUATING CABLE GUIDE	5	47
27-33796	GASKET, DRIVE SHAFT HOUSING TO BELL HOUSING	17	6	32-32631	TUBE, WATER - GIMBAL HOUSING	9	25
27-33796	GASKET, DRIVE SHAFT HOUSING TO BELL HOUSING	19	--	32-32787	HOSE, EXHAUST - GIMBAL HOUSING	11	29
28-30281	KEY, LOCATING - BEARING CARRIER	31	78	32-35015	TUBE, STEERING CABLE GUIDE (7/8"OD)	5	32
30-30464	BEARING, BALL - DRIVE SHAFT	27	15	37-32654	DECAL, DRIVE SHAFT HOUSING - STARBOARD	23	4
30-31265	BEARING, BALL - REVERSE GEAR	31	72	37-32655	DECAL, DRIVE SHAFT HOUSING - PORT	23	3
30-32537	BEARING, BALL - GIMBAL HOUSING RUBBER MOUNT	9	11	37-33737	DECAL, NAME PLATE - BOAT	25	--
31-29982	BEARING, ROLLER - DRIVE SHAFT	27	6	38-32738	NAME PLATE, TRANSOM PLATE	3	25
31-30894A1	TAPERED ROLLER BEARING ASEMBLY	31	64	43-31419	GEAR, PINION - DRIVE SHAFT	27	12
31-30895	BEARING, ROLLER - FOWARD GEAR	31	63	43-31886	FOWARD GEAR ASSEMBLY	31	62
31-30956	BEARING, ROLLER - BEARING CARRIER	31	76	43-31887	REVERSE GEAR ASSEMBLY	31	70
31-31092	CUP, TAPERED ROLLER BEARING	31	65	43-33134	GEAR, PINION - DRIVE SHAFT	27	12
31-32535	BEARING, ROLLER - GIMBAL HOUSING (UPPER)	9	3	43-33135	FOWARD GEAR ASSEMBLY	31	62
31-32536	BEARING, ROLLER - GIMBAL HOUSING (LOWER)	9	6	43-33136	REVERSE GEAR ASSEMBLY	31	70
31-32538	BEARING, ROLLER - GIMBAL RING	13	2	43-33538A1	GEAR ASSEMBLY, COMPLETE	23	12
31-32573A1	TAPPERED ROLLER BEARING ASSEMBLY, PINION GEAR	23	10	44-32164	SHAFT, PROPELLER	31	69
				45-32583	DRIVE SHAFT, UPPER	23	8
				45-32594	DRIVE SHAFT	27	8
				45-33132A1	WATER PUMP BASE ASSEMBLY	27	23
				45-33133A1	DRIVE SHAFT ASSEMBLY	27	8
				45-34441A1	DRIVE SHAFT ASSEMBLY	27	8
				46-32436A1	WATER PUMP BASE ASSEMBLY	27	23
				46-32437A3	WATER PUMP BODY ASSEMBLY	29	30

PARTS INDEX

Part Number	Description	Pg.	Ref. No.	Part Number	Description	Pg.	Ref. No.
46-34447A1	WATER PUMP BASE ASSEMBLY	27	23	1623-2022A4	GEAR HOUSING ASSEMBLY, COMPLETE	27	-
47-30221	IMPELLER, WATER PUMP .	29	35	1623-2022A4	GEAR HOUSING ASSEMBLY, COMPLETE	31	-
53-30726	RING, RETAINING - BALL BEARING	27	16	1623-20748A2	GEAR HOUSING ASSEMBLY, COMPLETE	31	-
54-20386	CLAMP, ACTUAING CABLE BELLOWS TO SHIFT ACTUATING CABLE	9	24	1623-2078A1	GEAR HOUSING ASSEMBLY	27	1
54-31765	CLAMP, UNIVERSAL JOINT BELLOWS TO BELL HOUSING 1	19	48	1623-2078A1	GEAR HOUSING ASSEMBLY	31	1
54-31765	CLAMP, UNIVERSAL JOINT BELLOWS TO GIMBAL HOUSING	19	49	1623-2078A2	GEAR HOUSING ASSEMBLY, COMPLETE	27	-
54-31766	CLAMP, CHIFT ACTUATING CABLE BELLOWS TO GIMBAL HOUSING	9	23	1623-2078A3	GEAR HOUSING ASSEMBLY, COMPLETE	27	-
54-32523	CLAMP, WATER HOSE TO BELL HOUSING CONNECTOR	19	51	1623-2078A3	GEAR HOUSING ASSEMBLY, COMPLETE	31	-
54-32523	CLAMP, WATER HOSE TO GIMBAL HOUSING WATER TUBE	21	52				
54-32533	CLAMP, EXHAUST HOSE TO BELL HOUSING	21	54				
54-32533	CLAMP, EXHAUST HOSE TO GIMBAL HOUSING	21	55				
54-32739	CLAMP, EXHAUST HOSE TO ENGINE	11	31				
54-32739	CLAMP, EXHAUST HOSE TO GIMBAL HOUSING	11	30				
54-34050	CLAMP, SHIFT ACTUATING CABLE TO TRANSOM PLATE	3	3A				
55-32607	PIN, SHOCK ABSORBER RO GIMBAL RING	13	10				
55-32643	SHOCK ABSORBER	13	8				
91-32555	ROD, ALIGNMENT - TRANSOM PLATE TO ENGINE	7	--				
92-33749	SEALER, EXHAUST HOSE TO GIMBAL HOUSING ...	11	--				
611-20361	NUT, SHIFT CABLE ASSEMBLY TO SHIFT CONTROL LEVER SCREW	3	16				
1547-2024A1	DRIVE SHAFT HOUSING ASSEMBLY	17	1				
1547-2024A1	DRIVE SHAFT HOUSING ASSEMBLY	23	1				
1547-2096A1	DRIVE SHAFT HOUSING ASSEMBLY	17	1				
1547-2096A1	DRIVE SHAFT HOUSING ASSEMBLY	23	1				
1547-2184A1	DRIVE SHAFT HOUDING ASSEMBLY	17	1				
1547-2184A1	DRIVE SHAFT HOUSING ASSEMBLY	23	1				
1623-2022A3	GEAR HOUSING ASSEMBLY	27	1				