

MERCURY
Precision Parts

QUICKSILVER®
Marine Parts & Accessories

PARTS CATALOG

ACCESSORIES PROPELLERS

TABLE OF CONTENTS:

PARTS INDEX	4
POWER 2 PROPELLER	2

NOTE: *Indented description indicate that these parts are included in preceeding assembly.*

AR = As Required

NSS = Not Sold Separate

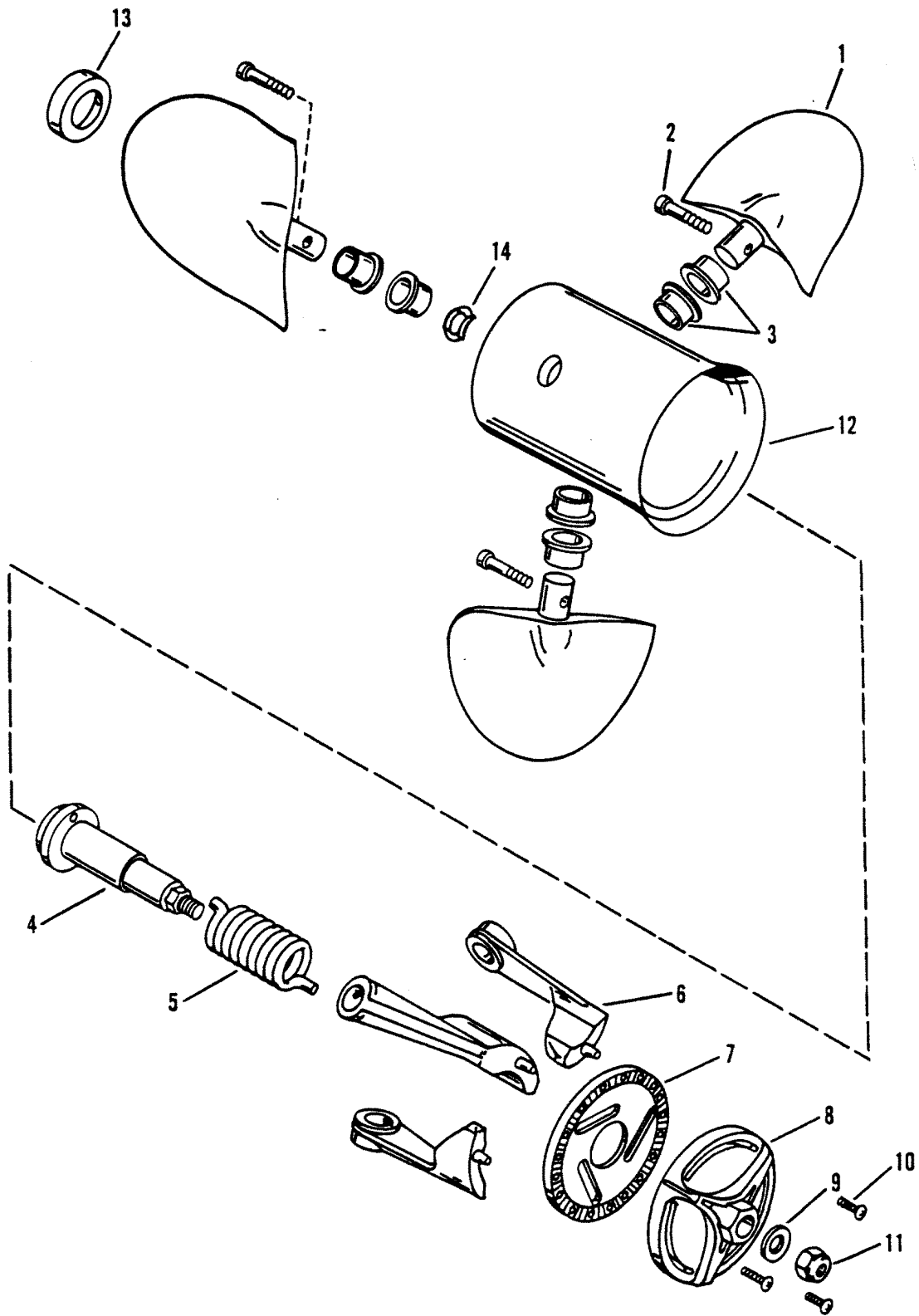
OPT = Optional

NS = Not Shown

THESE PARTS BOOKS/FICHE CARD ARE COPYRIGHTED AND MAY NOT BE DISTRIBUTED OR REPRODUCED IN ANY OTHER FORMAT BY ANYONE OTHER THAN MERCURY MARINE WITHOUT THE PRIOR WRITTEN CONSENT OF MERCURY MARINE.

THIS PAGE INTENTIONALLY LEFT BLANK

POWER 2 PROPELLER



POWER 2 PROPELLER

REF. NO.	PART NO.	SYM.	QTY.	DESCRIPTION
-	48-823510A19		1	PROPELLER
-	48-823510A21		1	PROPELLER
-	48-823510A23		1	PROPELLER
-	48-823510A25		1	PROPELLER
-	48-823510A27		1	PROPELLER
1	823512--1		3	BLADE
2	10-824659		3	SCREW, ALIGNMENT
3	23-823516		6	BUSHING
4	823517A1		1	- AXLE NUT
5	24-823519		1	SPRING, TORSION
6	823514A19		3	WEIGHT ASSEMBLY (19P)
	823514A21		3	WEIGHT ASSEMBLY (21P)
	823514A23		3	WEIGHT ASSEMBLY (23P)
	823514A25		3	WEIGHT ASSEMBLY (25P)
	823514A27		3	WEIGHT ASSEMBLY (27P)
-	823514119		AR	WEIGHT (19P)
-	823514121		AR	WEIGHT (21P)
-	823514123		AR	WEIGHT (23P)
-	823514125		AR	WEIGHT (25P)
-	823514127		AR	WEIGHT (27P)
-	17-823509		AR	PIN
7	823520		1	CAM PLATE
8	823521		1	ADJUSTING PLATE
9	12-29395		1	WASHER
10	10-823522		3	SCREW
11	11-99405		1	NUT, LOCKING (NYLON)
12	823511--1		1	PROPELLER HUB
13	14359		1	THRUST HUB
14	13-69708		3	WAVE WASHER

PARTS INDEX

Part Number	Description	Pg.	Ref. No.	Part Number	Description	Pg.	Ref. No.
14359	THRUST HUB	3	13				
823511--1	PROPELLER HUB	3	12				
823512--1	BLADE	3	1				
823514119	WEIGHT (19P)	3	-				
823514121	WEIGHT (21P)	3	-				
823514123	WEIGHT (23P)	3	-				
823514125	WEIGHT (25P)	3	-				
823514127	WEIGHT (27P)	3	-				
823514A19	WEIGHT ASSEMBLY (19P)	3	6				
823514A21	WEIGHT ASSEMBLY (21P)	3	6				
823514A23	WEIGHT ASSEMBLY (23P)	3	6				
823514A25	WEIGHT ASSEMBLY (25P)	3	6				
823514A27	WEIGHT ASSEMBLY (27P)	3	6				
823517A1	- AXLE NUT	3	4				
823520	CAM PLATE	3	7				
823521	ADJUSTING PLATE	3	8				
10-823522	SCREW	3	10				
10-824659	SCREW, ALIGNMENT	3	2				
11-99405	NUT, LOCKING (NYLON)	3	11				
12-29395	WASHER	3	9				
13-69708	WAVE WASHER	3	14				
17-823509	PIN	3	-				
23-823516	BUSHING	3	3				
24-823519	SPRING, TORSION	3	5				
48-823510A19	PROPELLER	3	-				
48-823510A21	PROPELLER	3	-				
48-823510A23	PROPELLER	3	-				
48-823510A25	PROPELLER	3	-				
48-823510A27	PROPELLER	3	-				